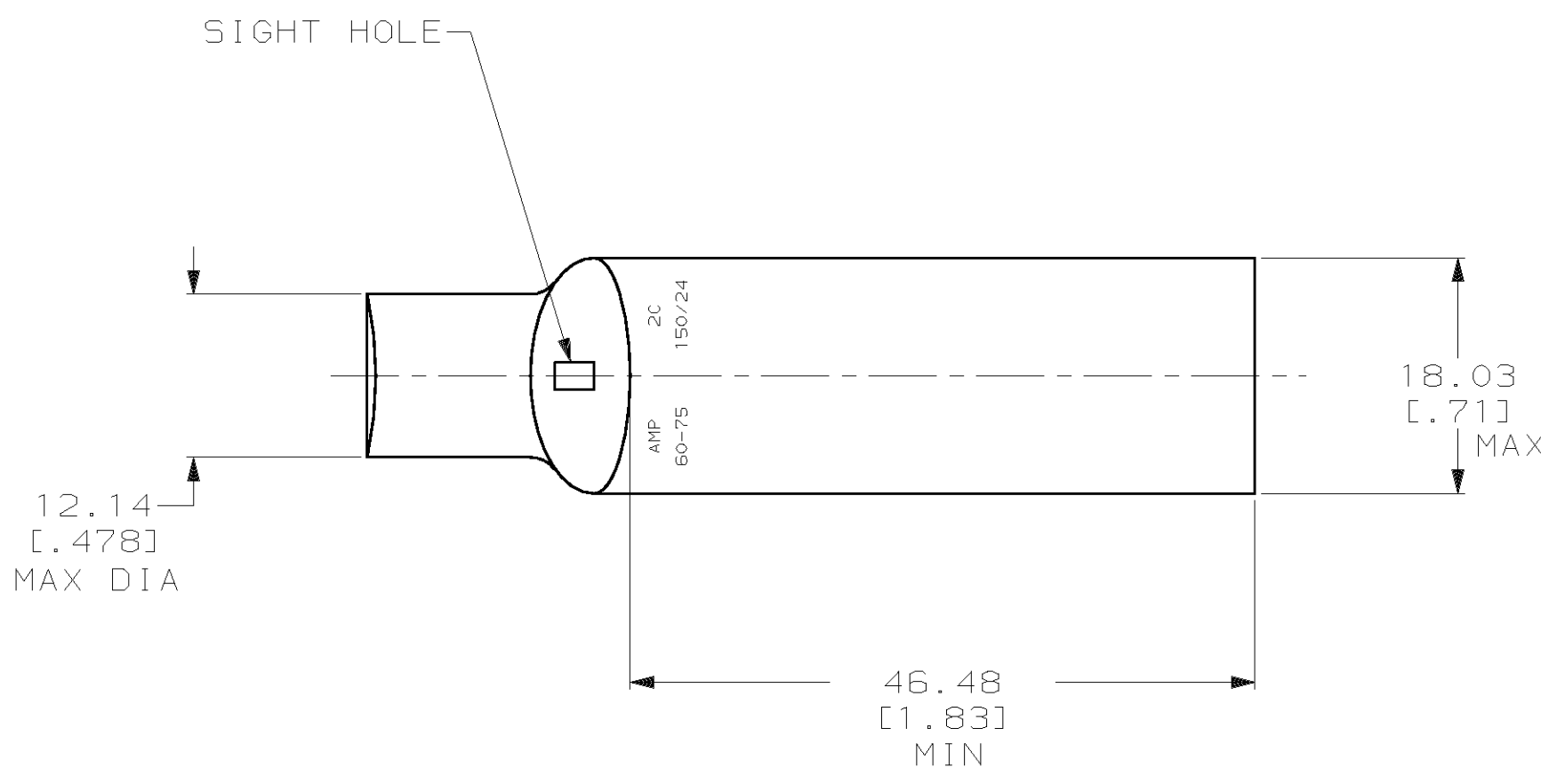
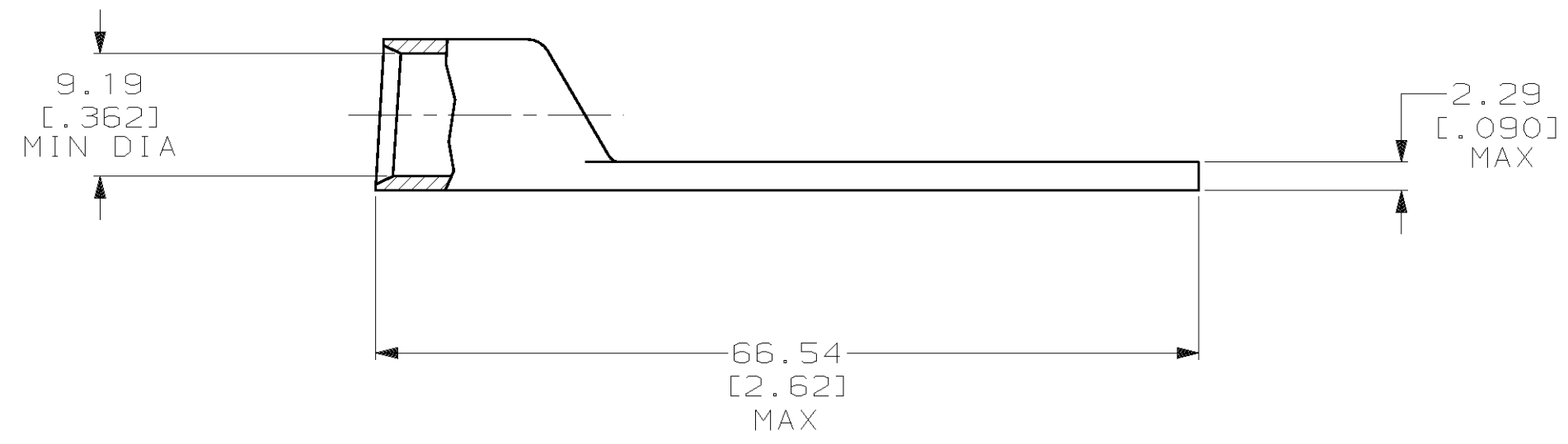


THIS DRAWING IS UNPUBLISHED. RELEASED FOR PUBLICATION, 19 .
 © COPYRIGHT 19 BY AMP INCORPORATED. ALL INTERNATIONAL RIGHTS RESERVED.

LOC		DIST		P		F		ZONE		LTR		REVISIONS		DATE	APPD
G		86								T		REV PER 0G3A-0561-01		07OCT02	JR/MS



1 CIRCULAR MIL AREA RANGE: 52,600-83,700 CM
 2 TIN PL 0.00381 [.000150] THK PER MIL-T-10727



METRIC

DO NOT SCALE PRINT. UNLESS SPECIFIED DIMENSIONS IN mm [INCHES] TOLERANCES ON : 2 PLC DEC ± 0.51 [.020] 3 PLC DEC ± - ANGLES ± -		DR 02/28/90 DK SCHRUM		325207	
MATERIAL ANNEALED COPPER ASTM B-75		CHK 18JAN95 MS FEHER		PART NO	
FINISH		APPD 18JAN95 WJ VOCKROTH		AMP AMP INCORPORATED Harrisburg, Pa. 17105	
△		APPD 18JAN95 TL SHUTTER		NAME	
APPLICATION SPEC -		PRODUCT SPEC 108-30200		TERMINAL, AMPOWER, WIRE SIZE: 2 AWG	
WEIGHT .044 LB		SCALE 2:1		DRAWING NO 325207	
		CAGE CODE 00779		SHEET 1 OF 1	