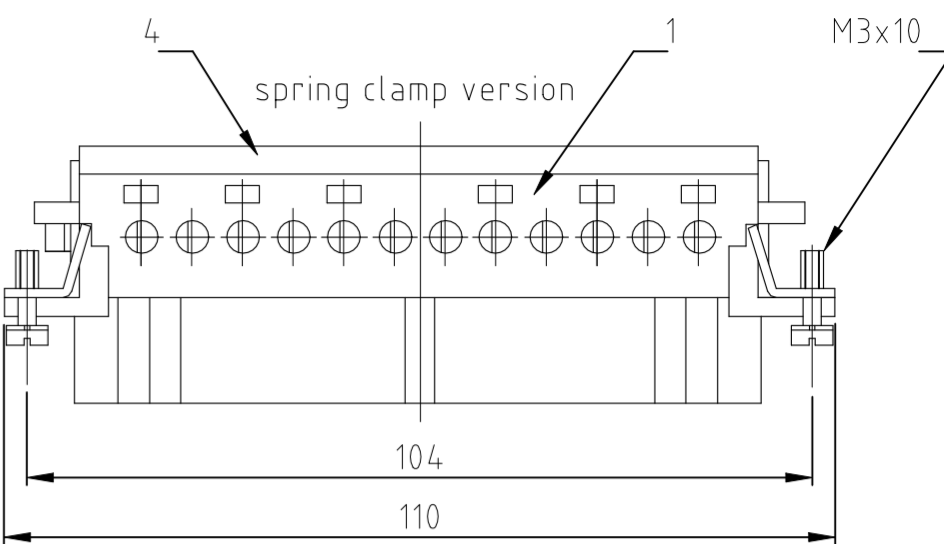
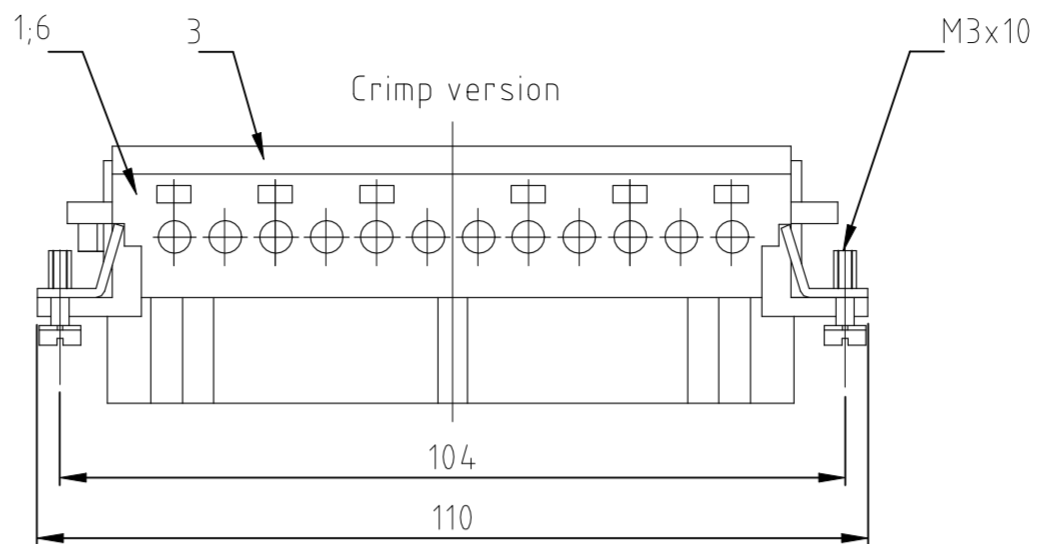
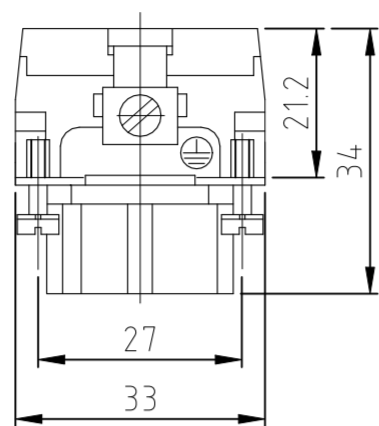
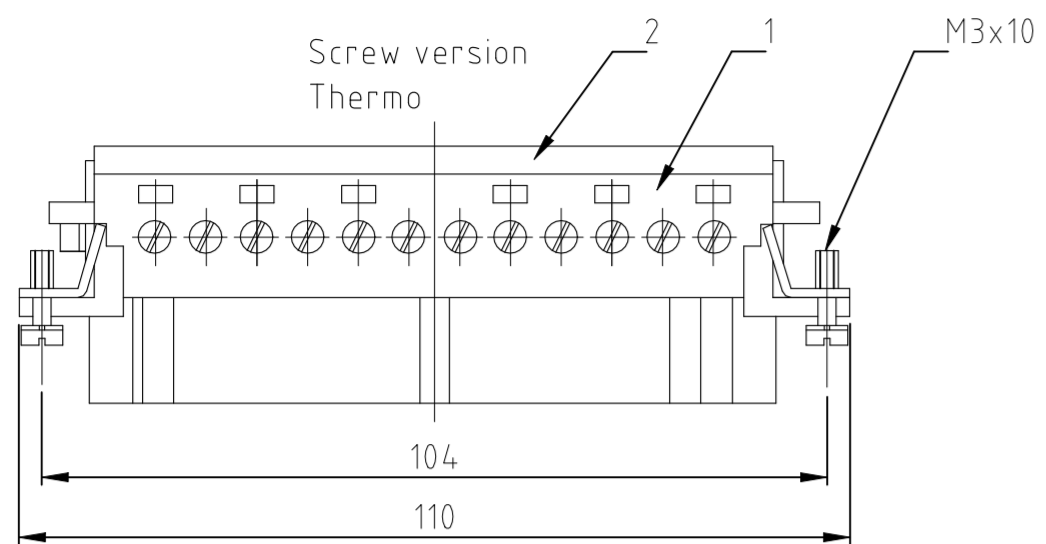
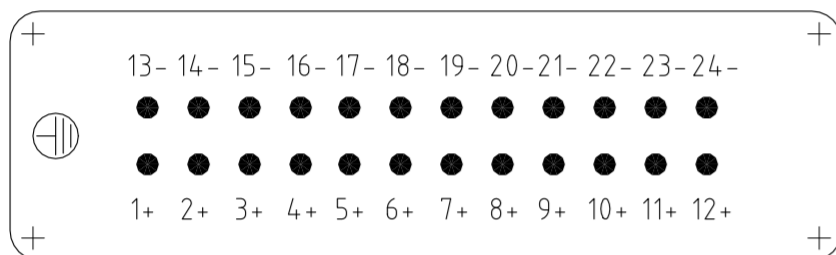


REVISIONS					
P	LTR	DESCRIPTION	DATE	DWN	APVD
E5		ECR-21-123503	06JUL2022	RK	JB



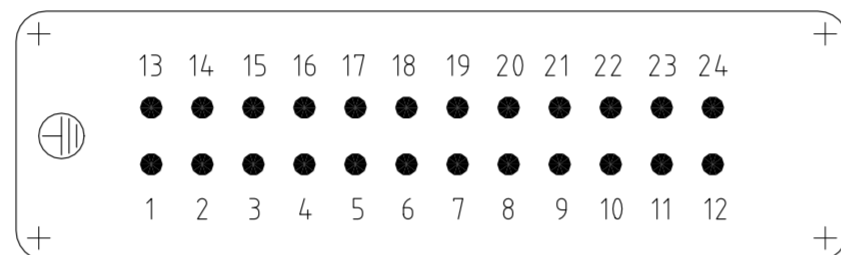
Contact arrangement view from termination side

Printing 1-24 Thermo

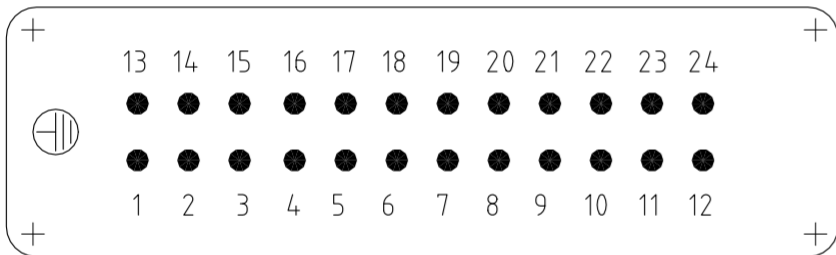


Contact arrangement view from termination side

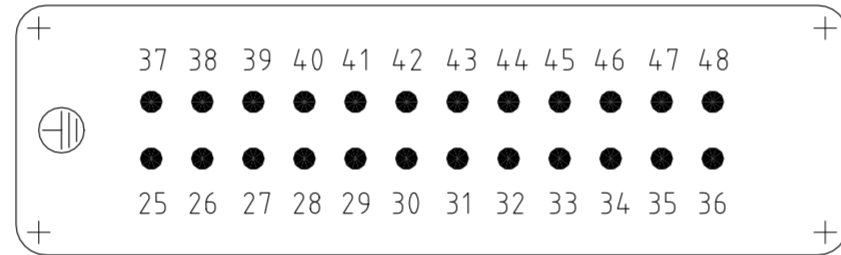
Printing 1-24



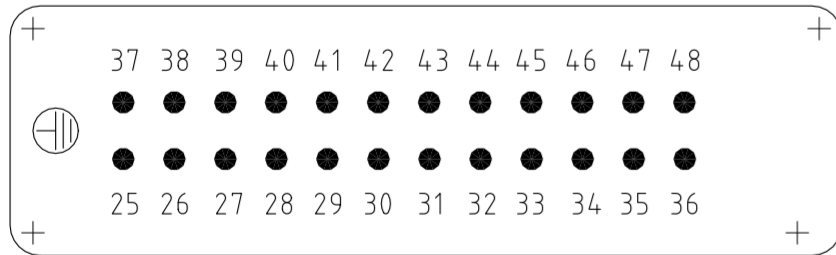
Printing 1-24 Screw



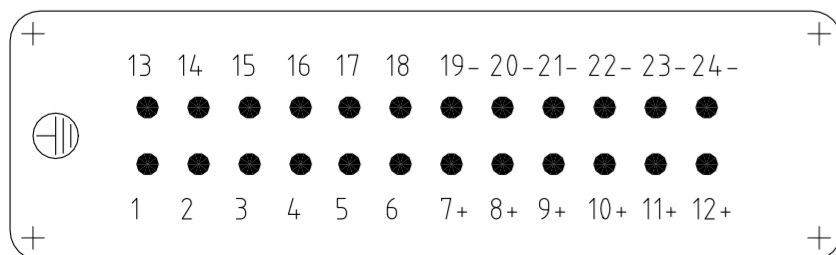
Printing 25-48



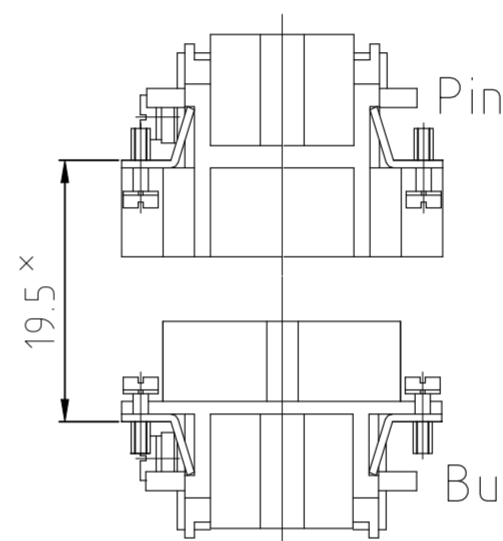
Printing 25-48 Screw



Printing 12+6+6 Screw/Thermo

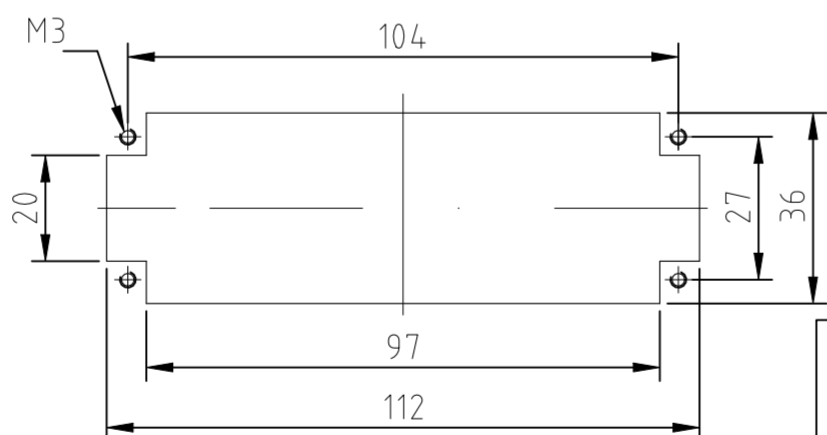


assembly directions



× distance for a safe contact max: max: 21 mm

Panel cut-out for contact insert when used without housing



DESCRIPTION / BENENNUNG	MATERIAL	COLOR / FARBE	ITEM NO. POS.
Socket contact		light grey	5
Deckel Federklemmversion		light grey	4
Crimp Crimp version		light grey	3
Cover screw version		light grey	2
Buchseinsatz		light grey	1

THIS DRAWING IS A CONTROLLED DOCUMENT.		DWN	Schneider	08.02.2000
		CHK	Schweiger	08.02.2000
		APVD		
		PRODUCT SPEC		
		APPLICATION SPEC		
		WEIGHT		
		CUSTOMER DRAWING		

NAME	Schneider		
SIZE	A2	CAGE CODE	00779
DRAWING NO	C=1103641		
RESTRICTED TO			
SCALE	1:1	SHEET	1 of 1
REV	E5		

NOTES:

- SUITABLE CRIMP CONTACTS: SERIES HE/HA
OUTER DIMENSIONS OF INSULATION: MAX. Ø3,2 MM
- SUITABLE HOOD SIZE 8; 12: SERIES HB; HD; HIP; EMV
SUITABLE INSERTION AND EXTRACTION TOOL:
SCREWDRIVER 0,5x3 DIN 5264
- Strip length: Screw connection 10mm
Spring clamp connection 10mm Crimp connection 7.5mm
- STANDARDS:
DIN EN 61984; DIN EN 60664-1
- PACKAGING:
5 SETS IN A CARTON, PRE-MOUNTED
- SPECIAL PACKAGING: Krauss-Maffei
PACKAGING UNIT: 220 PIECES

1103641