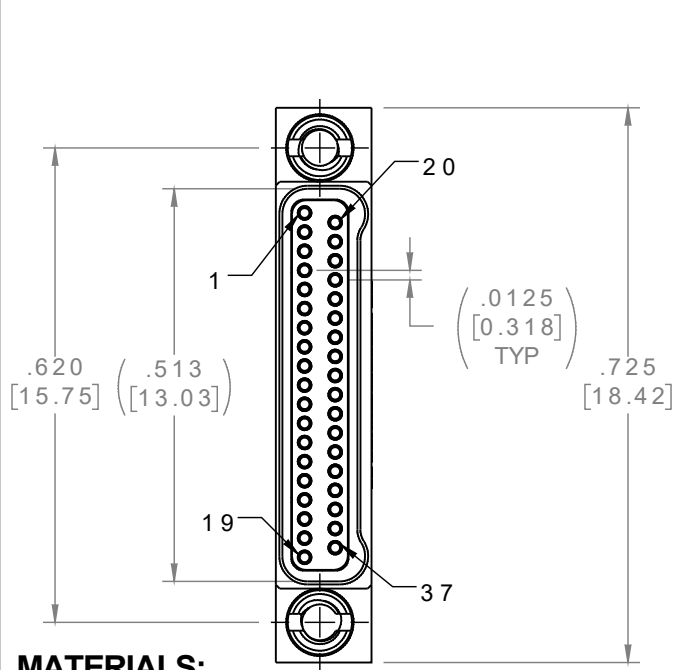
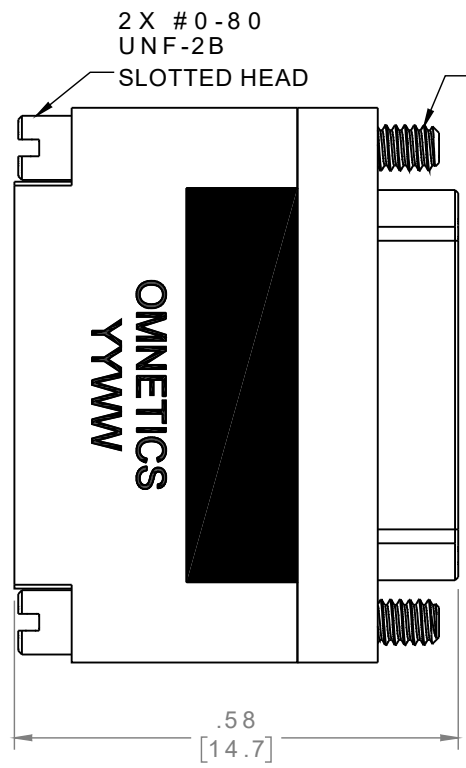


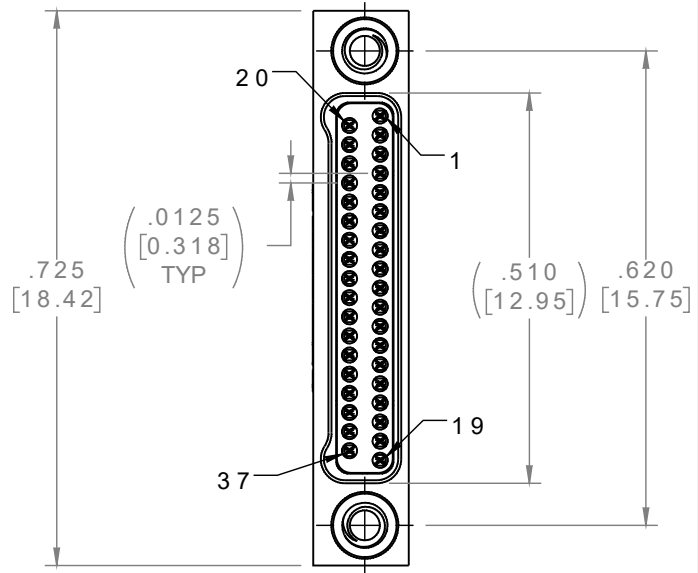
PART NO.	A 40838-037	REV	ECO	DATE	APP
		A	103406	04-19-17	TLM



**FEMALE**



**MALE**



**MATERIALS:**

**INSULATOR:**  
LIQUID CRYSTAL POLYMER (LCP) PER ASTM D5138

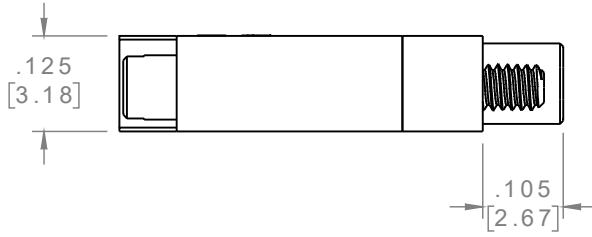
**HOUSING:**  
ALUMINUM 6061-T6, NICKEL PLATE PER SAE-AMS-2404

**HARDWARE:**  
303 STAINLESS STEEL PER ASTM 582

**CONTACTS:**

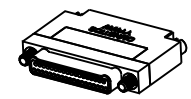
**MALE:**  
BERYLLIUM COPPER PER ASTM B194, C17200, GOLD PLATED PER ASTM B488, (HARD GOLD) TYPE II CODE C, CLASS 1.27

**FEMALE:**  
COPPER ALLOY PER MIL-DTL-32139, GOLD PLATED PER ASTM B488, (HARD GOLD) TYPE II CODE C, CLASS 1.27



**NOTE:**

DIMENSIONS IN [ ] ARE IN MILLIMETERS UNLESS OTHERWISE NOTED AND ARE FOR REFERENCE ONLY



ACTUAL SIZE

JUM SLDW	THIRD ANGLE
	-TOLERANCES-
	UNLESS OTHERWISE NOTED
	DIMENSIONS IN INCHES
2	PL DEC ± .01
3	PL DEC ± .005
4	PL DEC ± .0005
ANGLES ± 1°	

THIS DRAWING CONTAINS CONFIDENTIAL AND PROPRIETARY INFORMATION WHICH IS THE PROPERTY OF OMNETICS CONNECTOR CORP. THIS DOCUMENT MAY NOT, IN WHOLE OR IN PART, BE DUPLICATED, OR DISCLOSED FOR ANY PURPOSE, WITHOUT WRITTEN PERMISSION FROM OMNETICS CONNECTOR CORP.			
DFTM. ERB	DATE	TITLE:	
	03-17-17	(37) PIN MALE/FEMALE	
CHK'D.	DATE	Bi-Lobe® CONNECTOR	
APP'D.	DATE	SAVER	

**OMNETICS**  
CONNECTOR CORPORATION  
7260 COMMERCE CIRCLE EAST  
MINNEAPOLIS, MN 55432  
WWW.OMNETICS.COM

CAGE CODE 61873	
DWG NO. A40838-037	
SHEET 1 OF 1	REV A
SCALE: 4:1	