

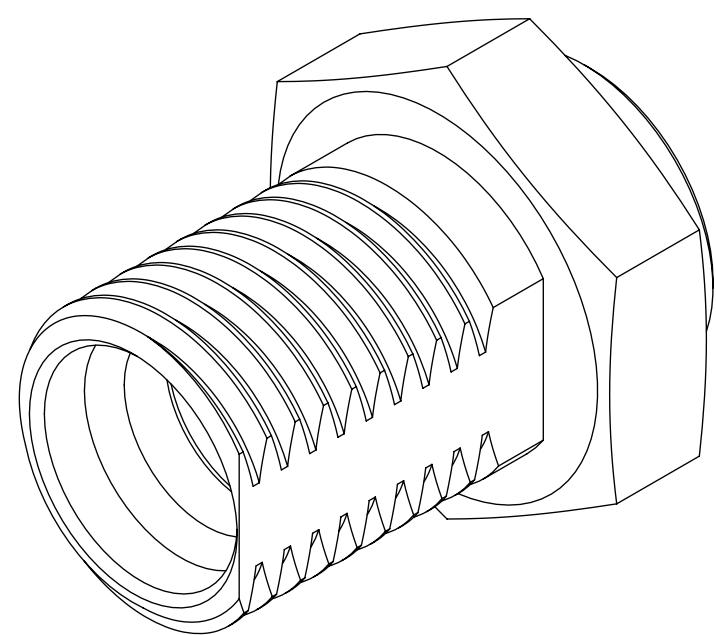
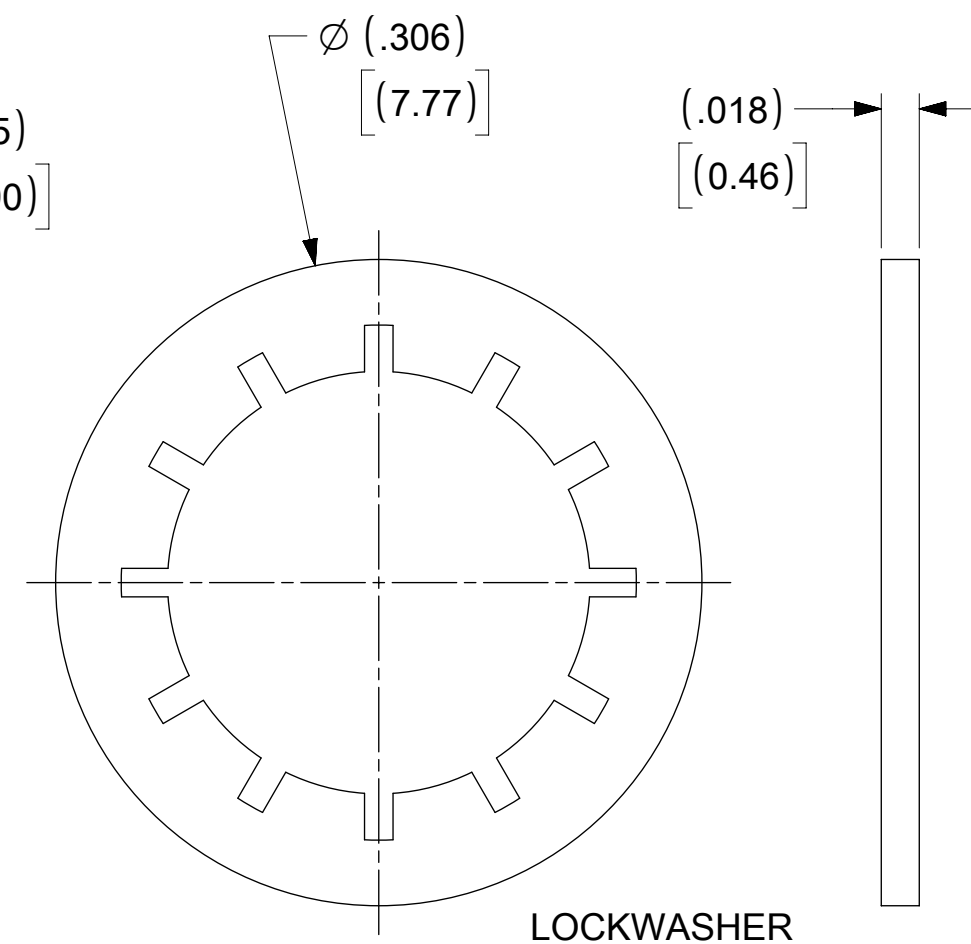
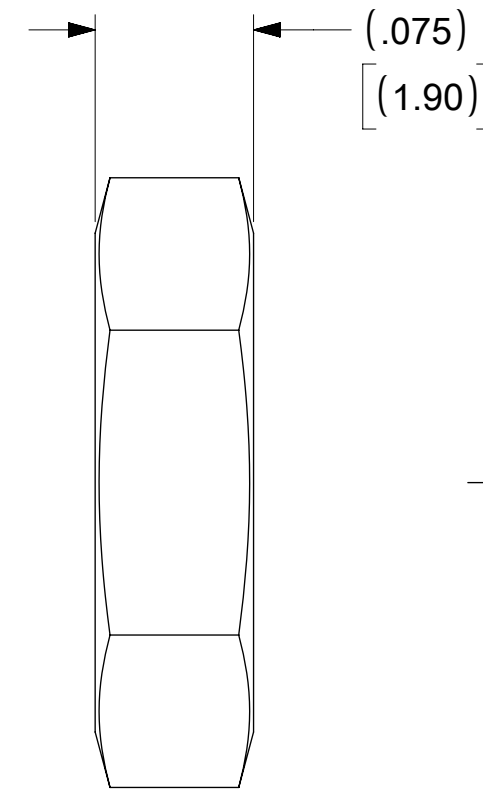
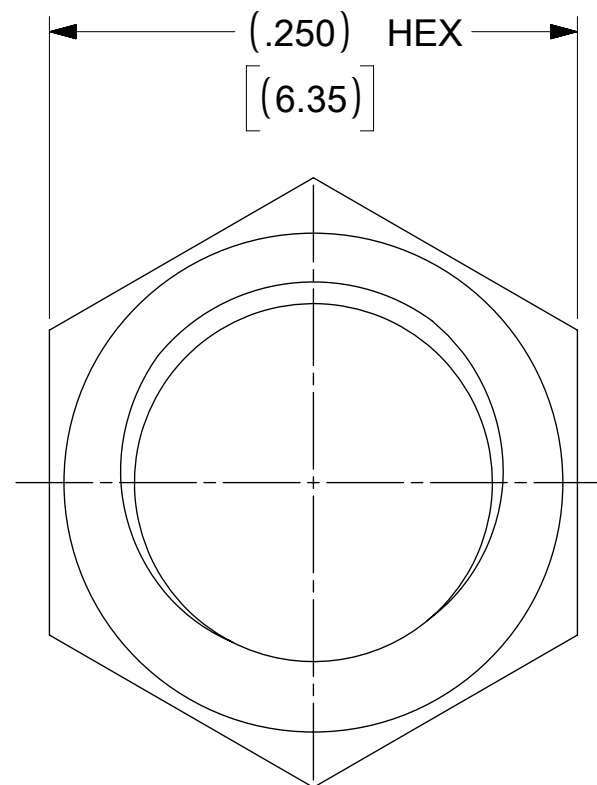
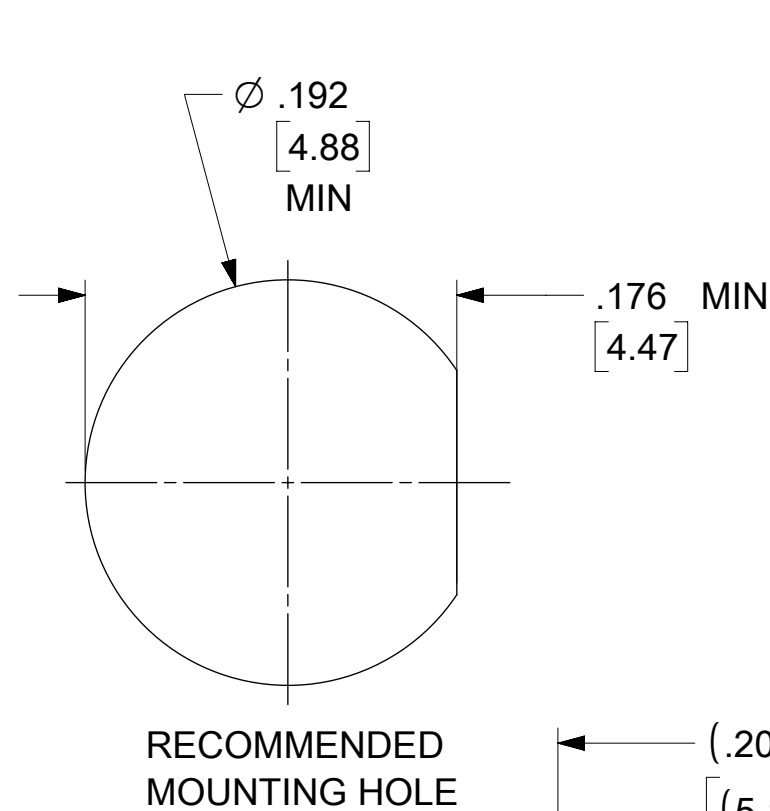
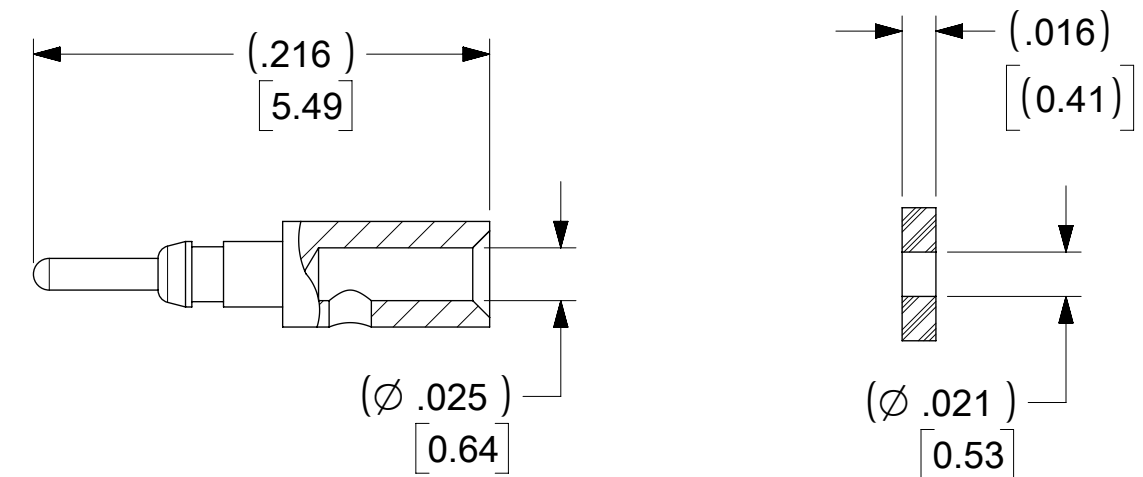
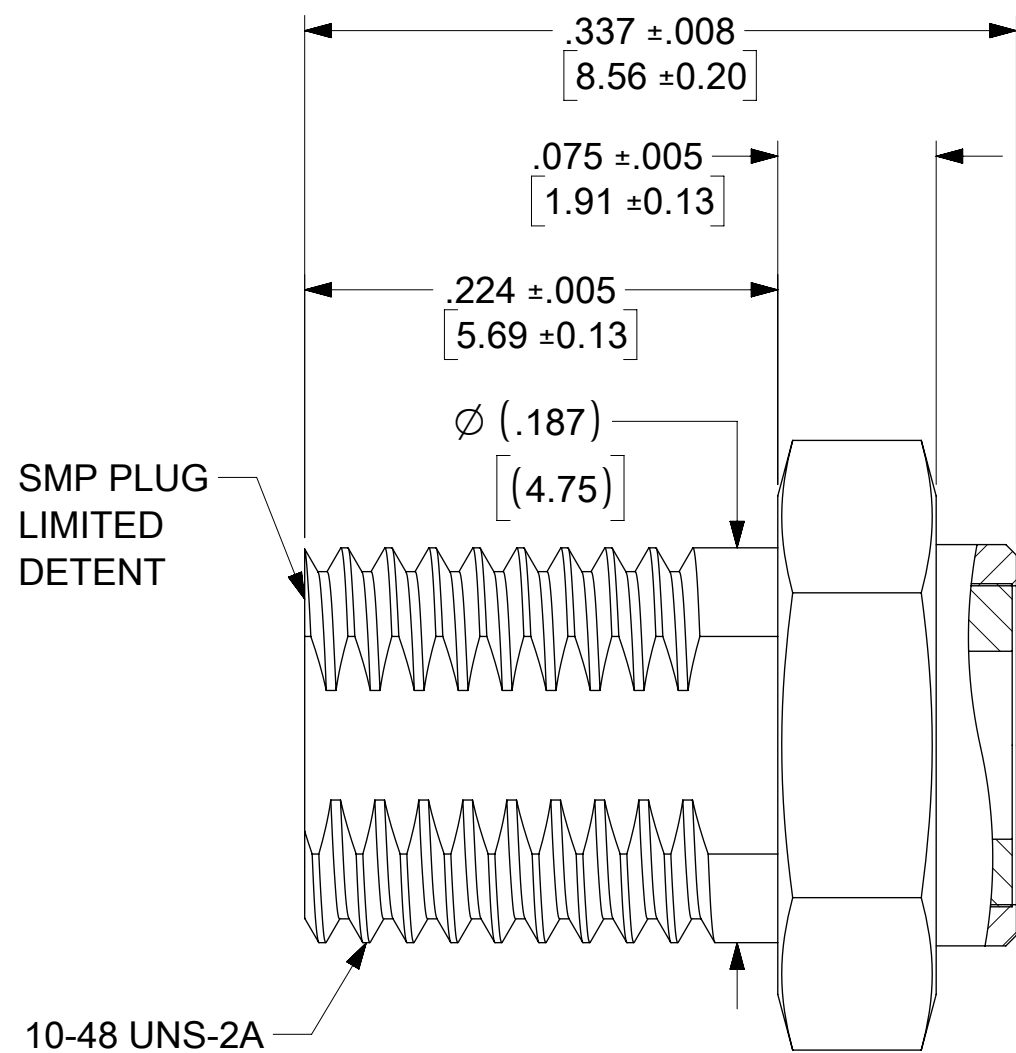
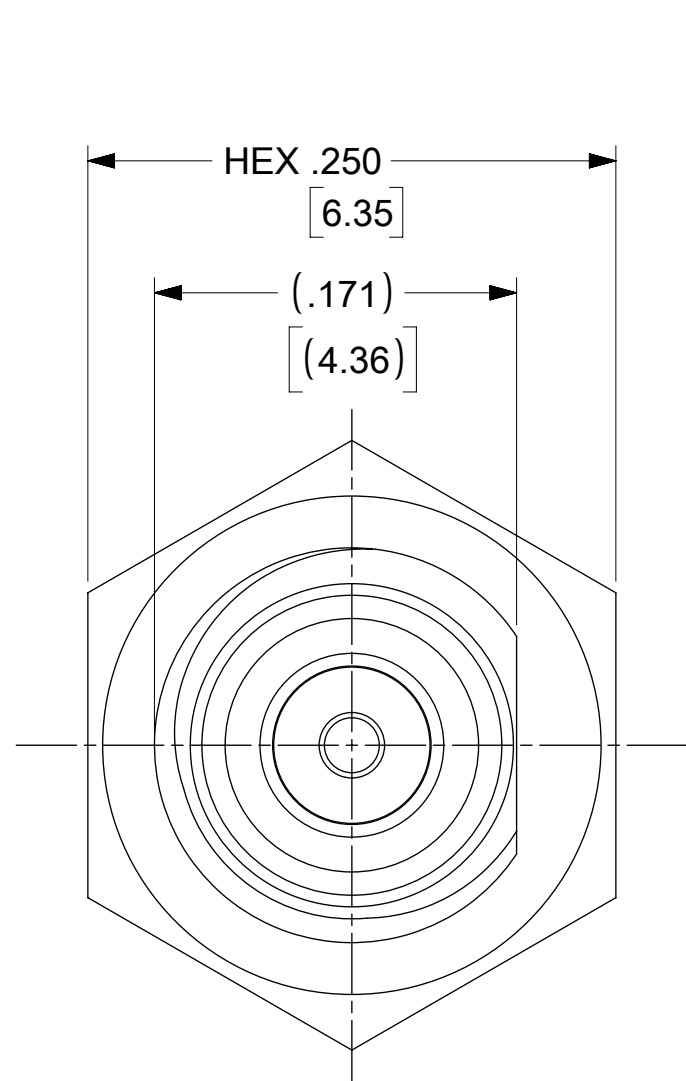
MATERIALS AND FINISHES:

BODY, JAM NUT: BRASS
PLATED: GOLD (1μ-in MIN)
OVER NICKEL (50μ-in MIN)

CENTER CONTACT: BRASS
PLATED: GOLD (10μ-in MIN)
OVER NICKEL (70μ-in MIN)

LOCK WASHER: PHOSPHER BRONZE
PLATED: GOLD (1μ-in MIN)
OVER NICKEL (50μ-in MIN)

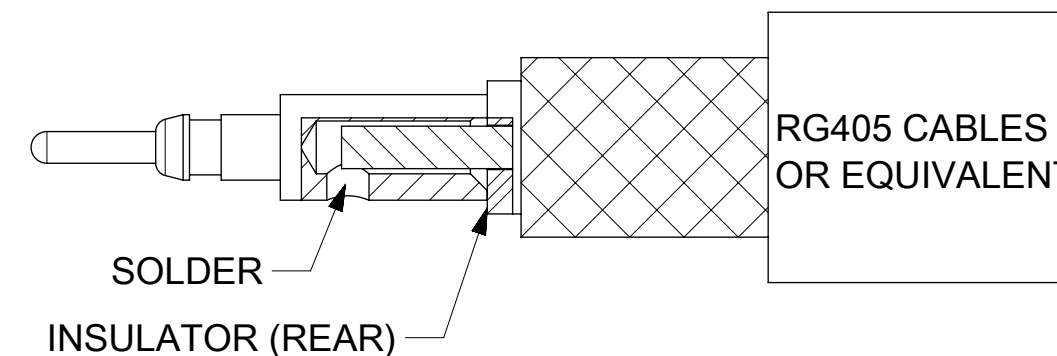
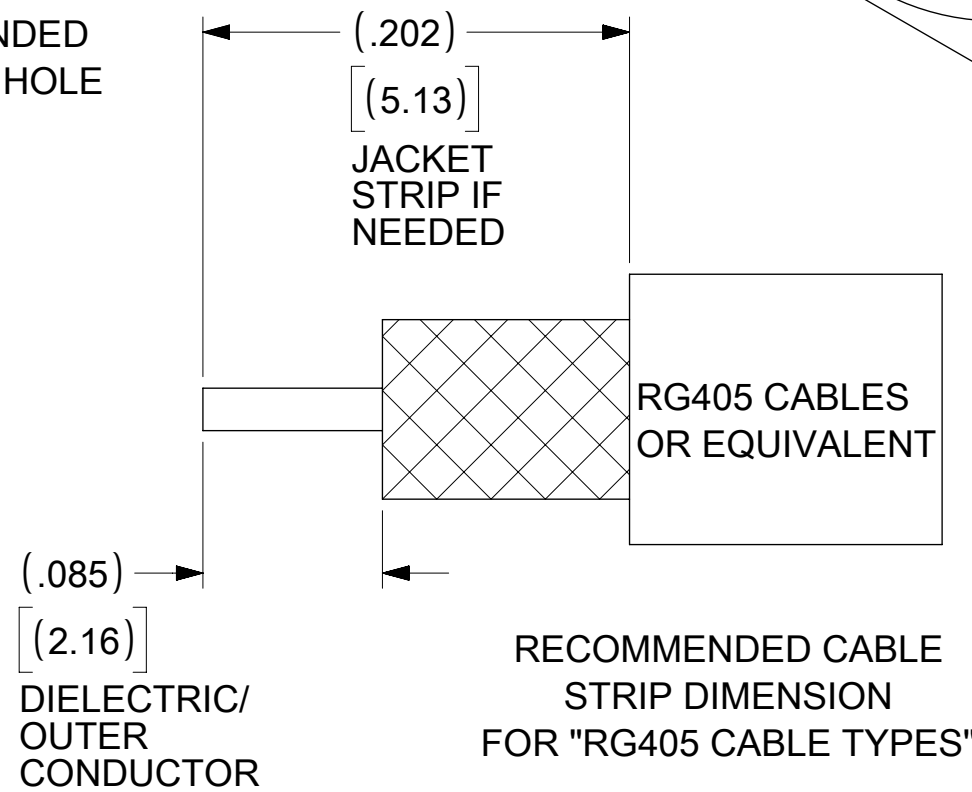
INSULATOR: PTFE



RECOMMENDED MOUNTING HOLE

JAM NUT

LOCKWASHER



SOLDER

INSULATOR (REAR)

RG405 CABLES OR EQUIVALENT

RG405 CABLES OR EQUIVALENT

FUNCTIONAL SYMBOLS	THIS DRAWING CONTAINS INFORMATION THAT IS PROPRIETARY TO MOLEX ELECTRONIC TECHNOLOGIES, LLC AND SHOULD NOT BE USED WITHOUT WRITTEN PERMISSION			
	DIMENSION UNITS		SCALE	
	IN/MM		NTS	
	GENERAL TOLERANCES (UNLESS SPECIFIED)			
DIVISIONAL SYMBOLS	MM		INCH	
	4 PLACES	±	±	
	3 PLACES	±	±	
	2 PLACES	±	±	
	1 PLACE	±	±	
ANGULAR TOL		±	°	
DRAFT WHERE APPLICABLE MUST REMAIN WITHIN DIMENSIONS		THIRD ANGLE PROJECTION		
		DRAWING		SERIES
		C-SIZE		73406
		MATERIAL NUMBER		CUSTOMER
		0734060090		
		SHEET NUMBER		
		1 OF 1		

molex

SMP PLUG LIMITED DETENT BLKHD FOR RG 405 50?, SMP-PC, EWR-15345

PRODUCT CUSTOMER DRAWING

DOCUMENT NUMBER: **734060090** | DOC TYPE: PSD | DOC PART: 000 | REVISION: **A1**

PS-89675-3320	PRODUCT SPECIFICATION
MIL-STD-348, FIG. 326.3	INTERFACE SMP PLUG
SPECIFICATION	DESCRIPTION
DOCUMENT STATUS	P1
RELEASE DATE	2022/09/16 12:42:50