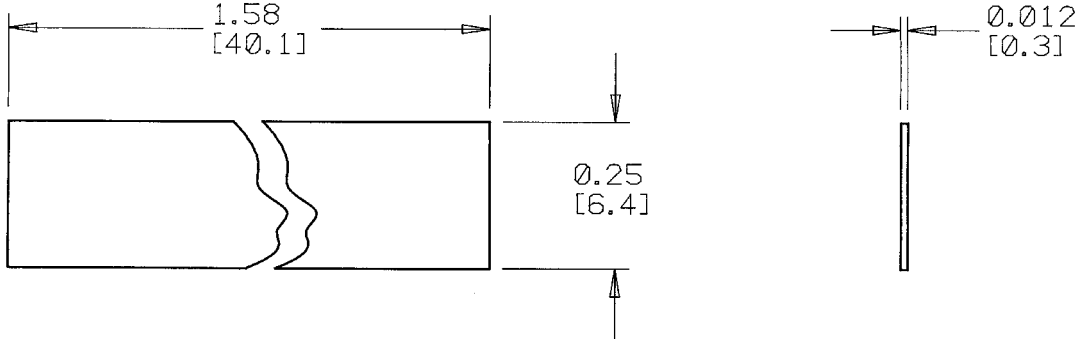


REVISIONS			
LTR	DESCRIPTION	DATE	APPROVED
N/C	INITIAL RELEASE PER ECN #T-08072	4-14-87	93

NOTES:

- MATERIAL: MODIFIED THERMOPLASTIC HOT MELT SEALANT.



If this document is printed it becomes uncontrolled.
Check with the web for latest revision.

SPECIFICATION CONTROL DRAWING © Raychem Corporation 1987

UNLESS OTHERWISE SPECIFIED
DIMENSIONS ARE IN INCHES.
METRIC DIMENSIONS ARE
IN BRACKETS.

DECIMALS
.XXX ±.005 { .13 mm }
.XX ±.03 { .8 mm }

ANGLES
.X ±

WEIGHT
0.0002 lbs { 0.11 g } MAX.

DRAWN	LUTTICKEN	3-13-87
CHECKED	<i>[Signature]</i>	
APPROVED	<i>[Signature]</i>	3-30-87
APPROVED		
CAD NAME	\\CTA\0091SCD	
THIRD ANGLE PROJECTION		

Raychem

RAYCHEM CORPORATION
300 CONSTITUTION DRIVE
MENLO PARK, CALIFORNIA 94025

TITLE

**ADHESIVE, FLAT, FOR
CABLE/BUSBAR, 1.5 INCH**

SIZE	CODE IDENT. NO.	DWG. NO.	REV
A	06090	CTA-0091	N/C
DO NOT SCALE THIS DRAWING			SHEET 1 OF 1