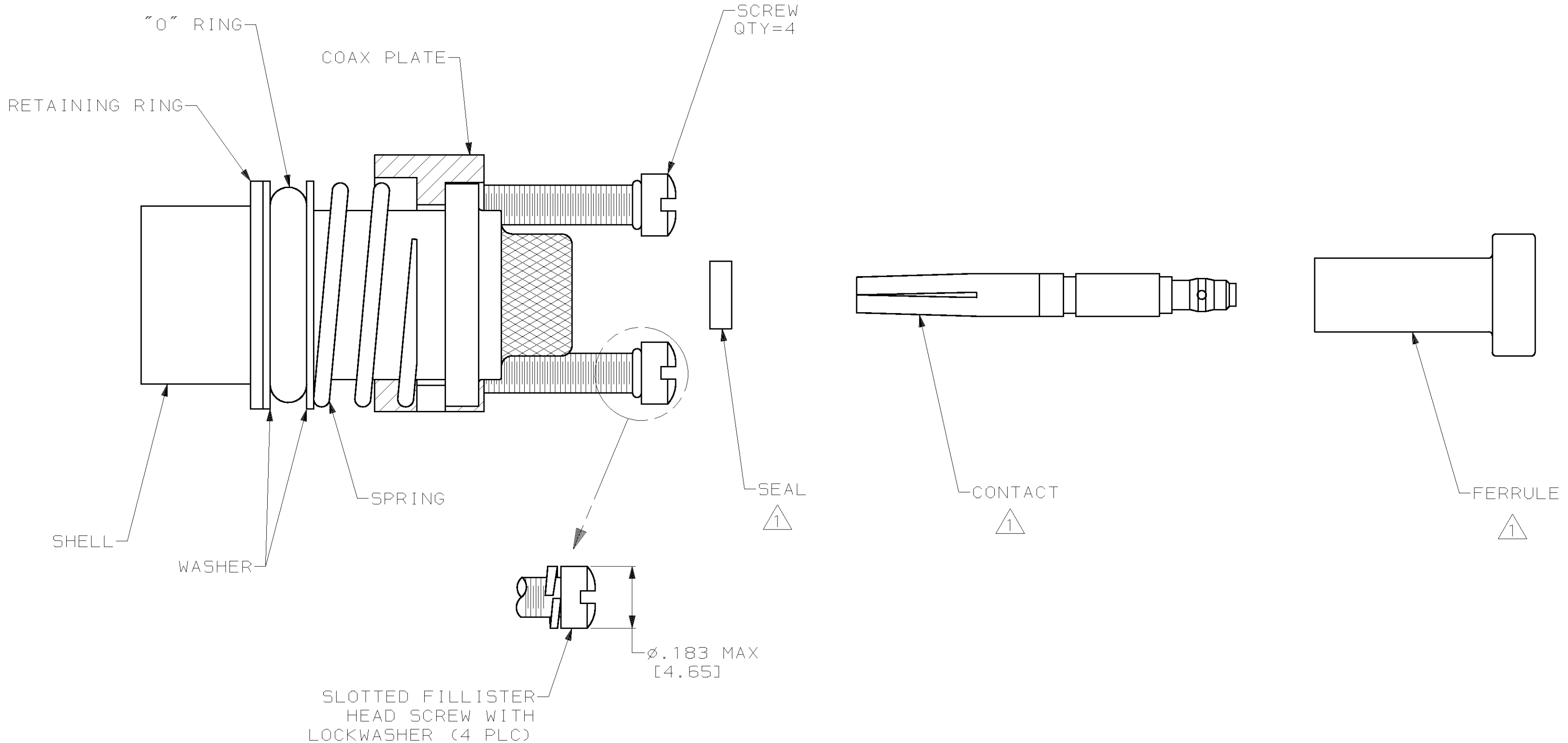


LOC	DIST	P	F	ZONE	LTR	REVISIONS	DATE	APPD
DF	AO					ADD -4 PER OG3D-0019-99	7-99	CT

⚠ PARTS PACKAGED UNASSEMBLED



446709-4 ONLY

DESCRIPTION	PART NUMBER
SIZE ONE COAX KIT FOR RG 142, 142A OR 142B WITH SPECIAL SCREWS	446709-4
SIZE ONE COAX KIT FOR 393	446709-3
SIZE ONE COAX KIT FOR ECS 311201	446709-2
SIZE ONE COAX KIT FOR RG 142, 142A OR 142B	446709-1

DO NOT SCALE PRINT. UNLESS SPECIFIED DIMENSIONS IN INCHES [mm] TOLERANCES ON : 2 PLC DEC ± - 3 PLC DEC ± - ANGLES ± -	DR M.E.PASTAL 7-26-89	AMP INCORPORATED Harrisburg, Pa. 17105
	CHK ROBERT HOSSLER 7-27-89	
MATERIAL -	APPD ROBERT HOSSLER 7-27-89	
FINISH -	APPD P.FISHER 7-27-89	
WEIGHT -	PRODUCT SPEC -	NAME
	APPLICATION SPEC -	SIZE #1 COAX SUBASSEMBLY KIT, SOCKET, 71C1, ARINC600
	SCALE 4:1	SIZE C 00779
		DRAWING NO 446709
		SHEET 1 of 1

446709