



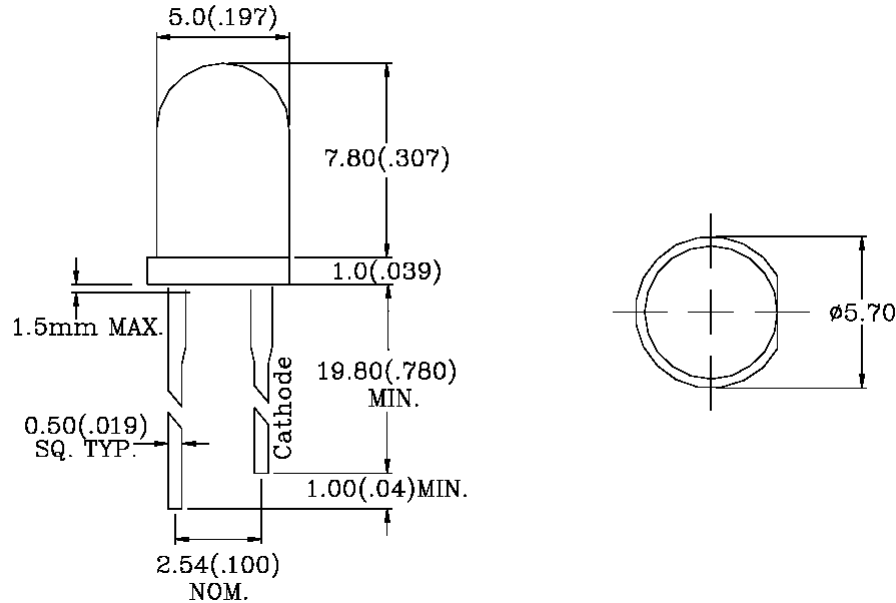
American Opto Plus

L-511XD

5mm Dia LED LAMP – COLOR DIFFUSED
0.8” LEAD FRAME

- MAIN FEATURES**
- ◆ 5.0mm DIA LED LAMP
 - ◆ Popular T-13/4, 0.8” LEAD
 - ◆ I.C. COMPATABLE
 - ◆ LOW POWER CONSUMPTION
 - ◆ WIDE VIEWING ANGLE

PACKAGE DIMENSIONS



Notes:All Tolerance Shall Be $\pm 0.01"$ (0.25mm)

SELECTION GUIDE AND APPLICATION INFORMATION (RATINGS AT 258C AMBIENT)

Part No.	Chip		Lens Color	Wave	Absolute Maximum Ratings				Electro-Optical Characteristics					View	
	Raw	Emitted		Length	$\Delta\lambda$	Pd	If	If	Vf(V)			If	Iv (mcd)	Angle	
	Material	Color		p(nm)	Nm	mW	mA	(Peak)	Min.	Typ.	Max.	(Rec)	Min.	Typ.	(deg)
L511GD	GaP	Green	Green	570	30	100	30	120	1.9	2.2	2.8	10-20	5	10	135
L511ED	GaAsP/GaP	Hi.effi Red	Red	635	45	100	30	120	1.8	2.0	2.8	10-20	8	12	135
L511YD	GaAsP/GaP	Yellow	Yellow	590	30	100	30	120	1.8	2.1	2.8	10-20	8	12	135
L511HD	GaP	Red	Red	700	90	45	15	50	1.7	2.1	2.8	5-10	0.8	3.0	135
L511SRD	AlGaAs	S. Red	Red	660	20	60	20	160	1.6	1.8	2.1	10-20	10	20	135
L511ED-E-610	GaAsP/GaP	Orange	Orange	610	30	100	30	120	1.8	2.1	2.8	10-20	10	15	135

ABSOLUTE MAXIMUN RATING: (Ta=258C)

Reverse Voltage	: 5 Volt
Reverse Current(Vr = 5V)	: 100 μ A
Operating Temperature Range	: -20C to +80C
Storage Temperature Range	: -40C to +100C
Lead Soldering Temperature	: 260C for 5 Seconds
(1.6mm(1/16inch) from body)	

ELECTRO-OPTICAL CHARACTERISTICS: (Ta=258C)

Para meter Description	Symbol	Unit
Spectral Line half-Width	$\Delta\lambda$	nm
Power Dissipation	Pd	mW
Peak Forward Current (Duty 1/10,@KHz)	If(Peak)	mA
Recommended Operation Current	If(Rec)	mA
Average Luminous intensity (If = 10mA)	Iv	mcd

**