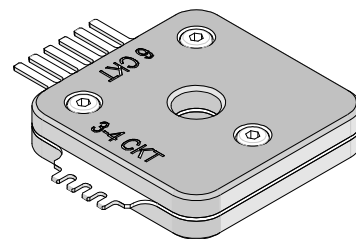




Extractor Tool

Application Tooling Specification Sheet



Order No. 63813-9200

FEATURES

- This Extractor Tool is for the removal of the MOX 0.635 crimp terminals from the 3 and 4 Way MOX Receptacle Housing (FFC Version), Series 98493.

SCOPE

Products: 2.54mm (.100") Pitch MOX FFC/FPC Crimp Terminal in 3 and 4 Way MOX Receptacle Housings (FFC versions).

Terminal Series No.	Terminal Order No.	Housing Series No.	Housing Order No.				
98194	98194-1211 98194-1221	98493	3 Way	98493-0031	98493-0032	98493-0033	98493-0034
				98493-0035	98493-0036		
			4 Way	98493-0041	98493-0042	98493-0043	98493-0044
				98493-0045	98493-0046		

OPERATION:

- To remove a 3 or 4 way circuit crimped flex wire from the housing use the side of the extractor or tool marked: "3-4 CKT".
- Push the terminals and the flex wire forward in the arrow direction before using this Tool.
- Insert the fingers of the extractor tool into the rectangular slots in the housing above the locking tang of the terminals. See Figure 1.
- Push the tool down until the locking tangs are even with the rest of the terminals. This will free the terminals from the housing.
- Holding the extractor tool against the housing, gently pull out the row of crimped terminals and flex wire from the housing. See Figure 2.

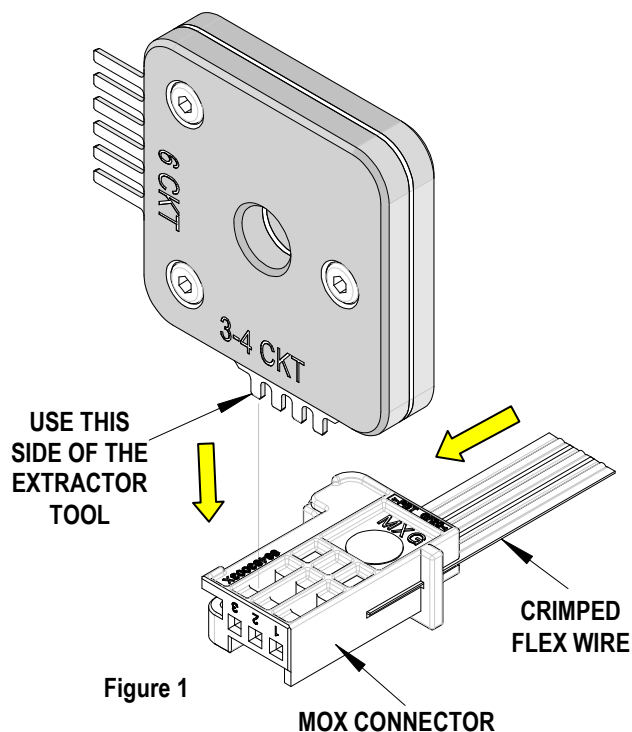
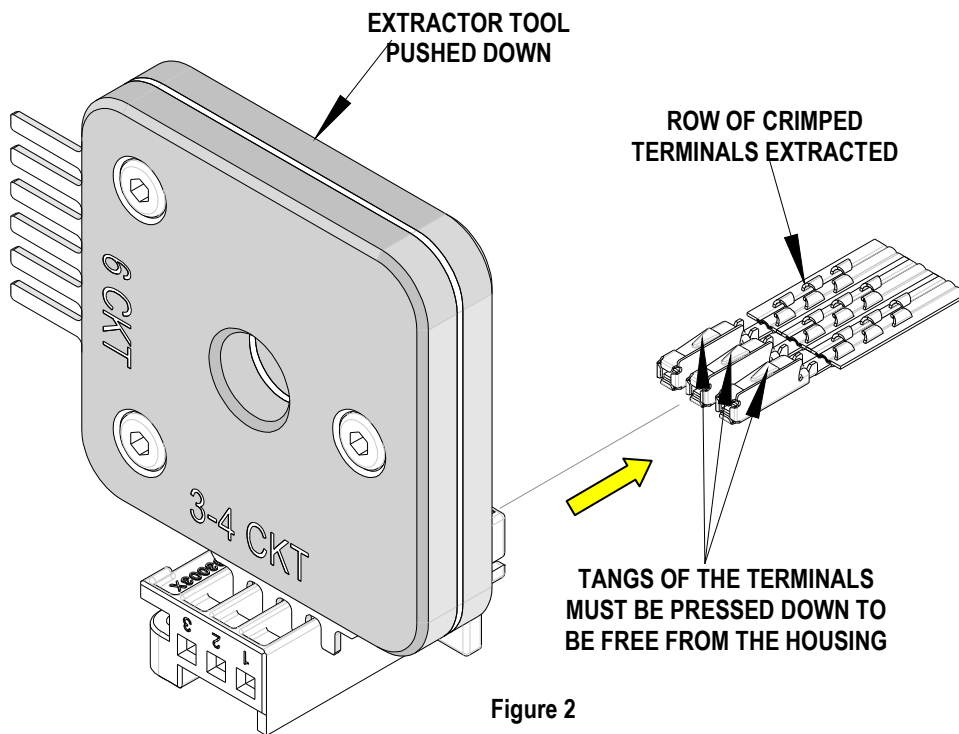


Figure 1



Warning: Terminals can not be replaced on the flat flexible cable.

Molex does not offer repair parts for Extractor Tools due to the inexpensive nature of these tools.

CAUTION: Molex specifications are valid only when used with Molex terminals and tooling.

Visit our Web site at <http://www.molex.com>