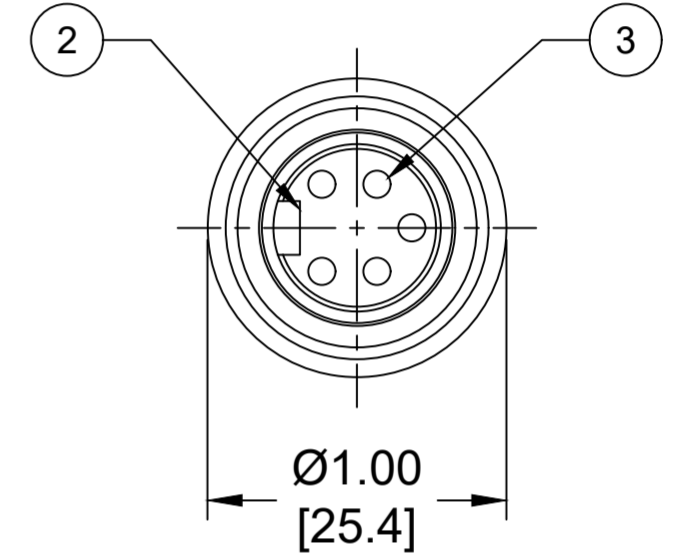
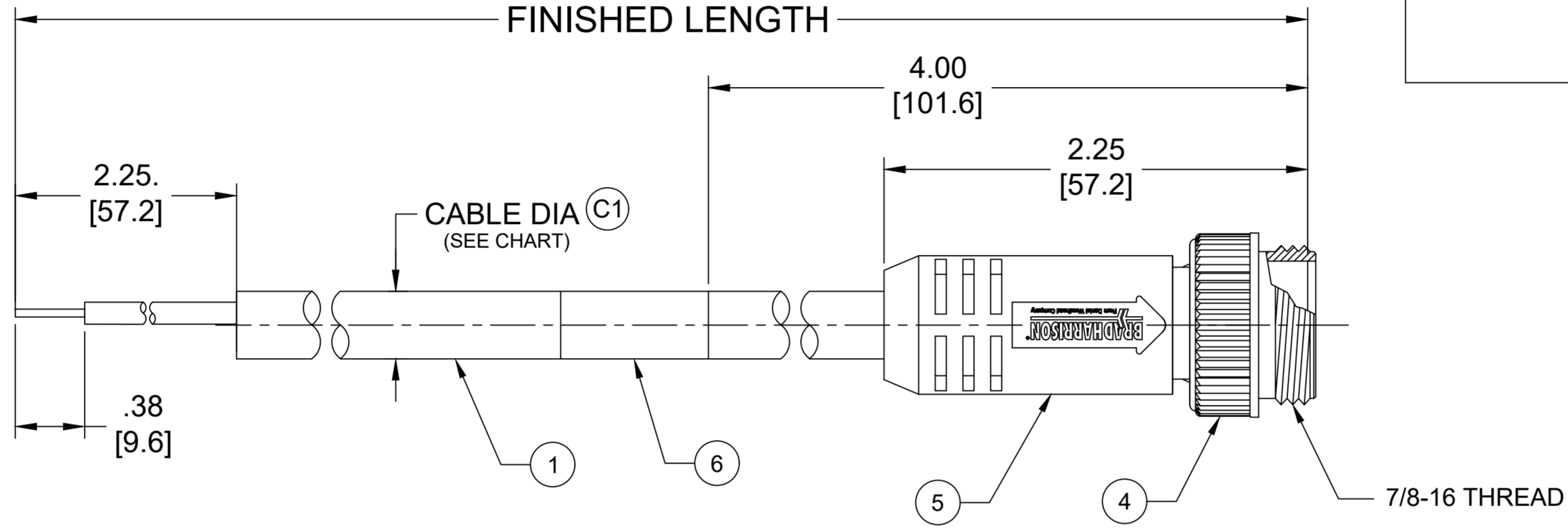


PART NO.	ENGINEERING NO.	FINISHED LENGTH	POLES	CABLE DIA.
1300061733	106006K13M003	0.3M [1FT]	6	.45 [11.4]
1300069051	105006K13M100	10M [32 FT 9 IN]	5	.40 [10.2]
1300062608	103006K13M250	25M [82FT]	3	.40 [10.2]

(C1)

FACE VIEW-MALE INSERT		
1 GREEN/YELLOW 2 BLACK 3 WHITE	1 WHITE 2 RED 3 GREEN/YELLOW 4 ORANGE 5 BLACK	1 WHITE 2 RED 3 GREEN/YELLOW 4 ORANGE 5 BLACK 6 BLUE



- NOTES:
- MATERIAL: AS NOTED
 - FINISH: AS NOTED
 - ELECTRICAL:
VOLTAGE - 3P: 500V PER IEC60664
600V PER UL2238
CURRENT: 13A
VOLTAGE - 5P & 6P: 400V PER IEC60664
600V PER UL2238
CURRENT - 5P & 6P: 8A (C1)
 - TEMP RATING: -20°TO +90°C (C1)
 - PROTECTION: IP67 (WHEN MATED)
 - UL LISTED FILE: E152210
 - ALL DIMENSIONS ARE FOR REFERENCE UNLESS TOLERANCED OR NOTED OTHERWISE

MECHANICAL CHARACTERISTICS:

TORSIONAL FLEX TEST	20 MILLION CYCLES PER MIL-C-13777G
BEND FLEX TEST	20 MILLION CYCLES PER MIL-C-13777G
WELD SLAG RESISTANCE	WOODHEAD STANDARD S-300

PART NO. MATRIX
105006K13M010

POLES (3, 5, 6)

CABLE LENGTH
M005 = 0.5 METER
M010 = 1.0 METER
M100 = 10.0 METER

CABLE LENGTH TOLERANCES

<.3M [1FT]:	+19mm-0 [+1.75in-0]
.3 - .9M [1 - 3FT]:	+44.5mm-0 [+1.75in-0]
.9 - 1.8M [3 - 6FT]:	+55.6mm-0 [+2.19in-0]
1.8 - 3.7M [6 - 12FT]:	+88.9mm-0 [+3.50in-0]
3.7 - 7.3M [12 - 24FT]:	+165.1mm-0 [+6.50in-0]
7.3-14.6M [24 - 48FT]:	+317.5mm-0 [+12.50in-0]
14.6 - 30.5M [48-100FT]:	+622.3mm-0 [+24.50in-0]
OVER 30M [100FT]:	+2% OF FINISHED LENGTH

ITEM	DESCRIPTION	MATERIAL	FINISH
6	WRAP LABEL	VINYL	BLACK/YELLOW
5	OVERMOLD	TPE	YELLOW
4	COUPLING NUT	ZINC DIE-CAST	BLACK E-COAT
3	CONTACT PIN	COPPER ALLOY	GOLD PLATED
2	MALE INSERT (A-SIZE)	TPE	YELLOW
1	CABLE, 16 AWG (HI-FLEX)	TPE JACKET	YELLOW

FUNCTIONAL SYMBOLS FA=0 FC=0 FP=0	DIMENSION UNITS	SCALE	THIS DRAWING CONTAINS INFORMATION THAT IS PROPRIETARY TO MOLEX ELECTRONIC TECHNOLOGIES, LLC AND SHOULD NOT BE USED WITHOUT WRITTEN PERMISSION	
	INCH/MM	NTS	CURRENT REV DESC: ADDED CABLE DIA. MODIFIED 5P-6P CURRENT RATING, TEMP RATING AND PART NUMBER CHART	
	GENERAL TOLERANCES (UNLESS SPECIFIED)		EC NO: 655464	
	4 PLACES	±----	±----	DRWN: ABENJAMINLW 2020/10/28
3 PLACES	±----	±----	CHK'D: RSTONE 2021/02/16	
2 PLACES	±----	±----	APPR: BWOODMAN 2021/02/19	
1 PLACE	±----	±----	INITIAL REVISION:	
0 PLACES	±----	±----	DRWN: GGUSTAFS 2013/10/04	
ANGULAR TOL ± ---- °			APPR: BWOODMAN 2013/11/12	
DRAFT WHERE APPLICABLE MUST REMAIN WITHIN DIMENSIONS	THIRD ANGLE PROJECTION	DRAWING	SERIES	DOCUMENT NUMBER
		C-SIZE	130006	SD-130006-068
				DOC TYPE/DOC PART/REVISION
				PSD 001 C1
				MATERIAL NUMBER
				SEE CHART
				CUSTOMER
				GENERAL MARKET
				SHEET NUMBER
				1 OF 1