

SPECIFICATIONS

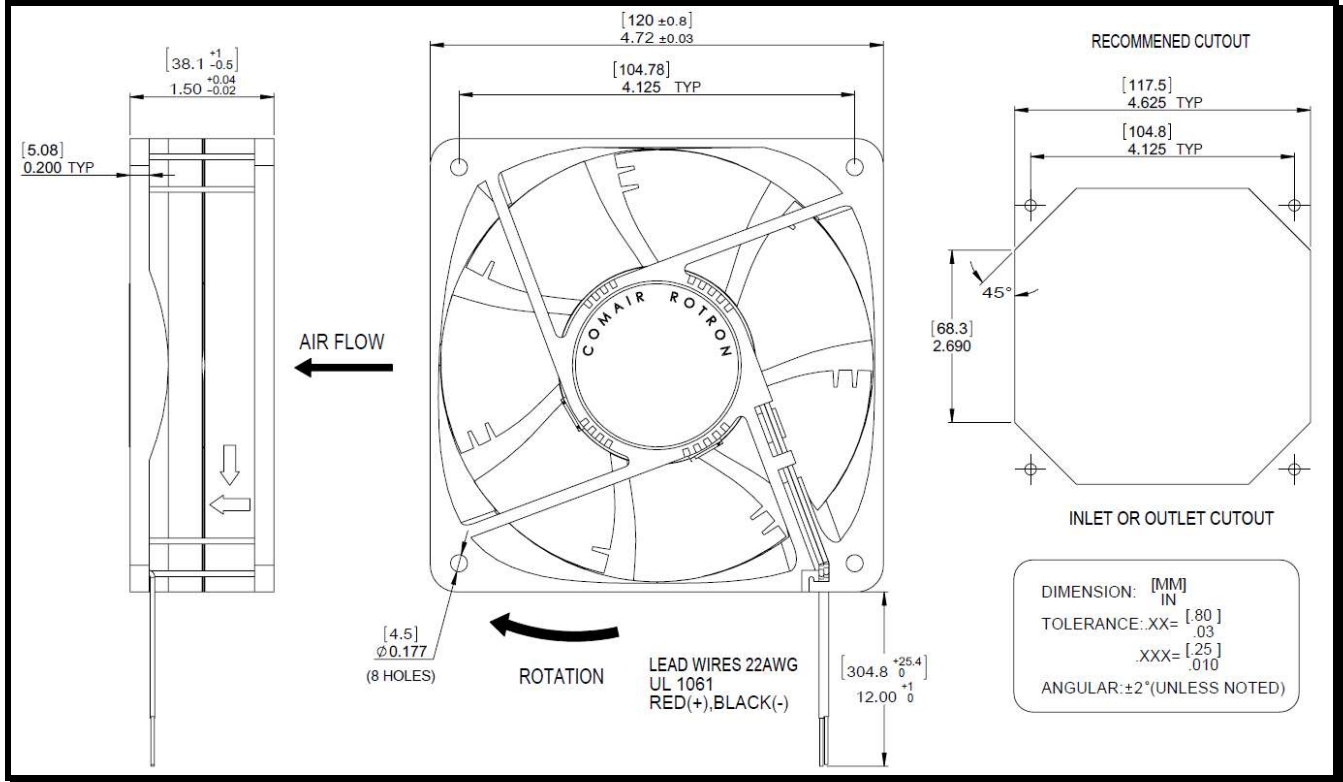
(RoHS Compliant)



Model Number: MSD12B3-E3
Part Number: 17001219A

Version: 00
Jun 13, 2018

Mechanical Drawing:



Motor:

Nominal Voltage	= 12 vdc
Operating Voltage Range	= 8 - 16 vdc
Nominal Running Current	= 0.58 amps
Max. Locked Rotor Current	= 1.45 amps
Running Power	= 7.0 watts
Average Speed	= 3000 RPM
Bearings	= Ball
Air Flow	= 110 CFM
Acoustic	= 49.1 dBA

Construction:

Venturi: Plastic, Black, UL 94V-0
 Propeller: Plastic, Black, UL 94V-0

Life Expectancy:

This fan is designed for continuous duty life of 45,000 hours at 70°C.

Additional Features:

- Brushless DC Motor
- Locked Rotor Protection
- Reverse Polarity Protected
- Automatic Restart Capability
- Operating Temp. Range: -10°C to 70°C
- Storage Temp. Range: -40°C to 85°C
- Environmental Protection: Type 3(IP68)

Termination:

12" Lead wires, AWG 22, UL 1061
 Red = Power (+)
 Black = Return (-)

Agency Approvals:

UL, CUL, CE

PQ Curve:

