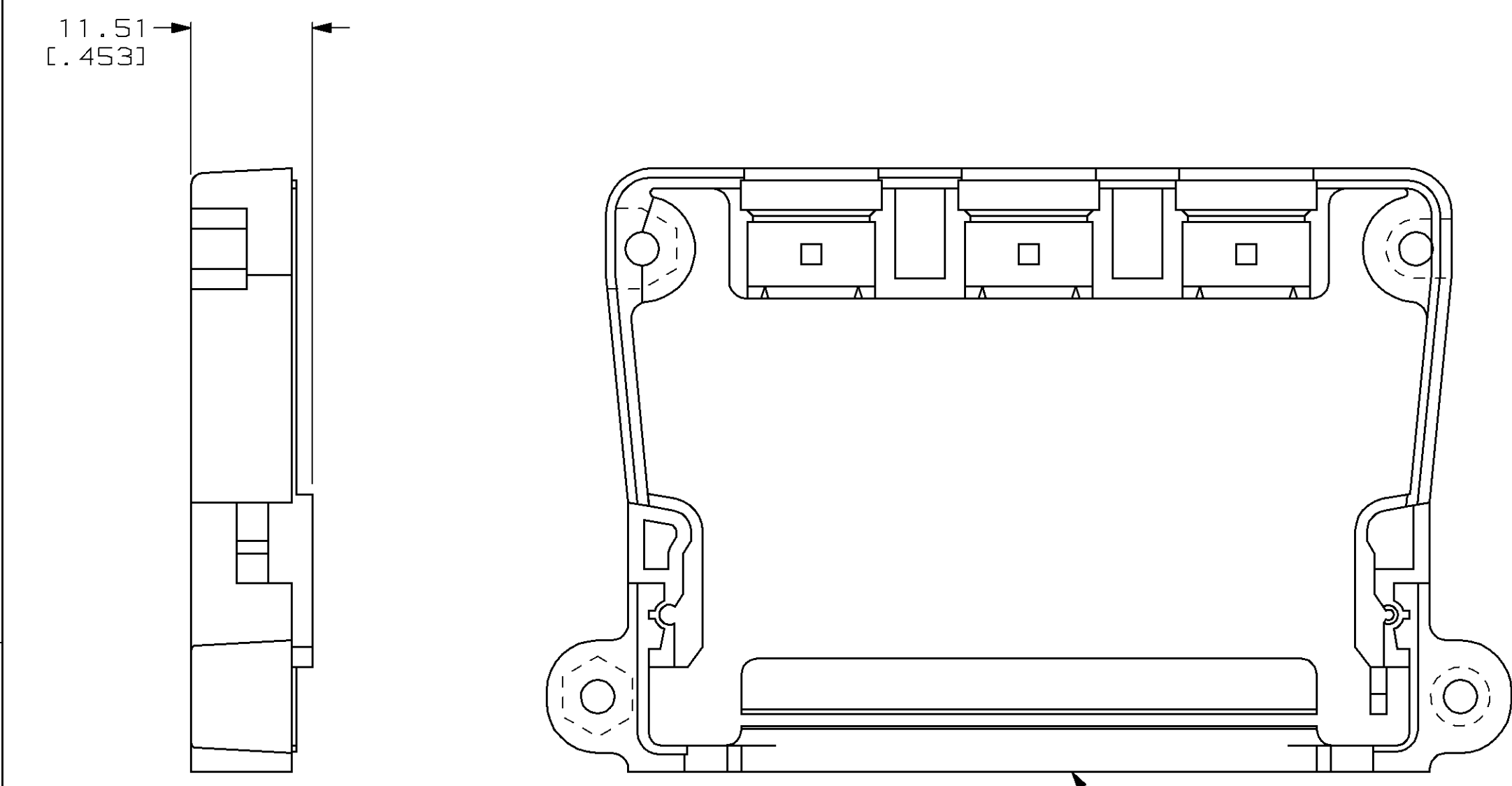
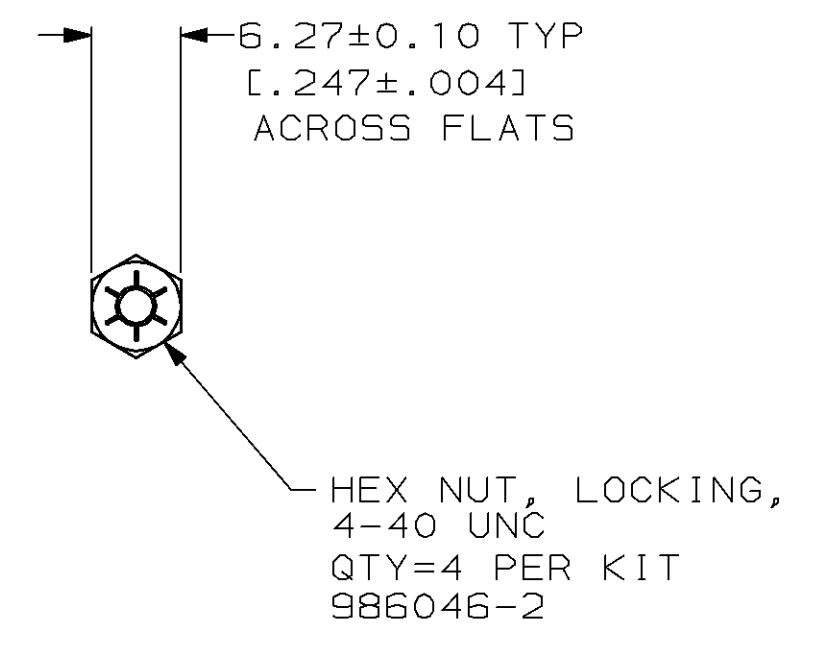
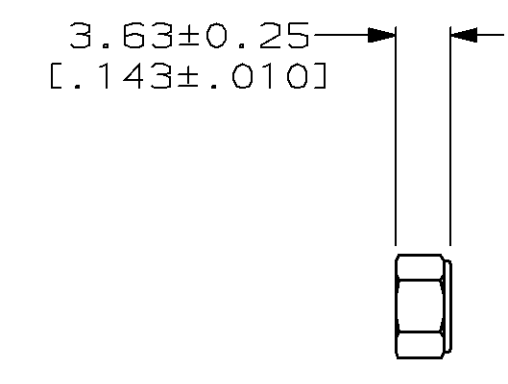
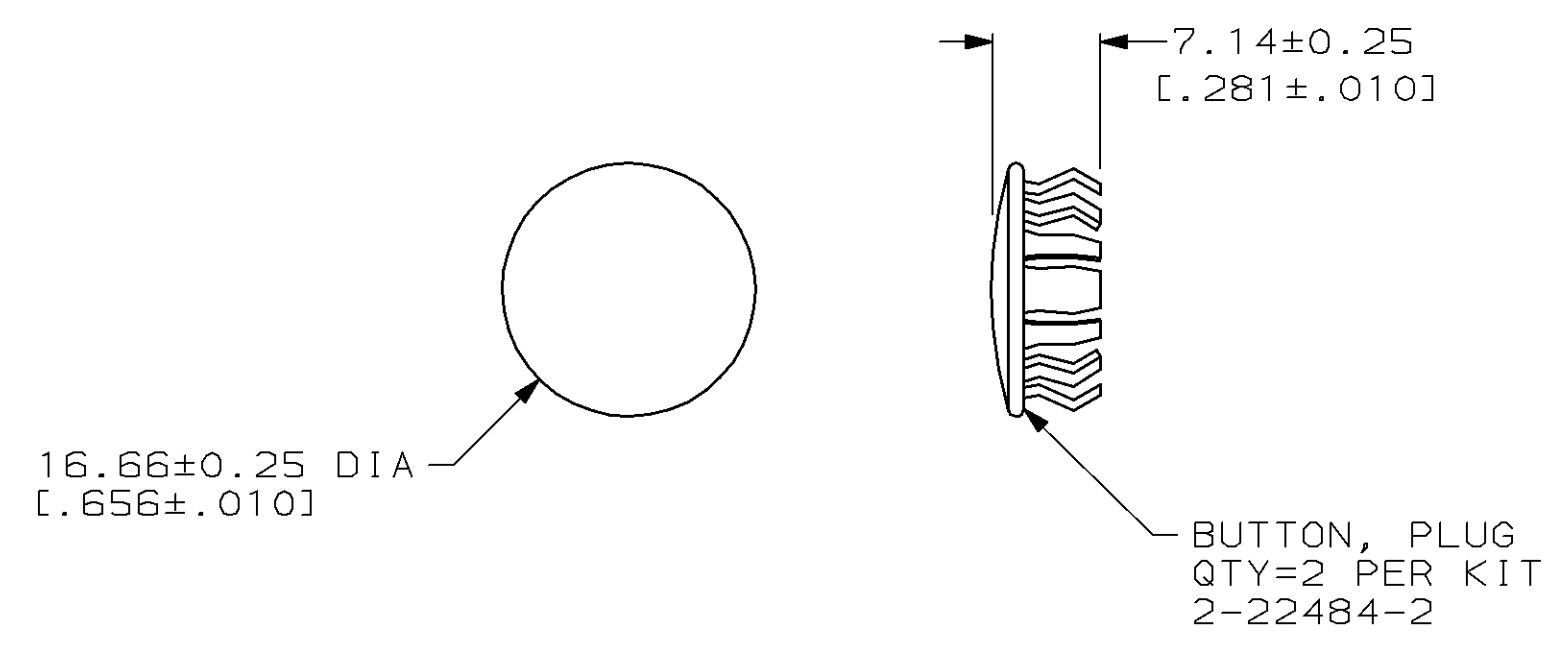
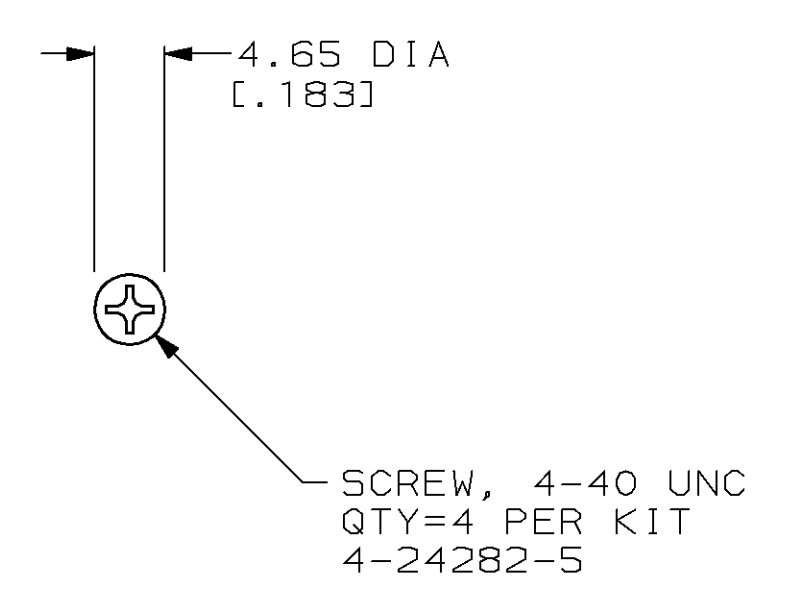
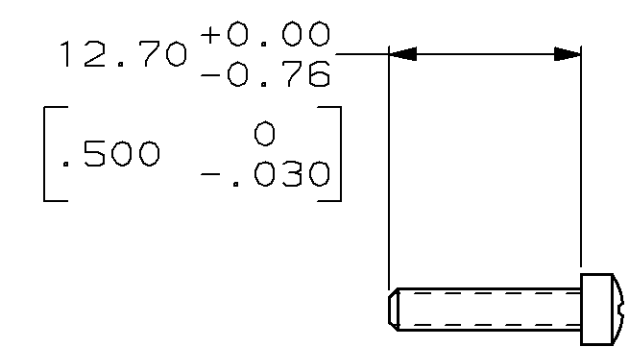
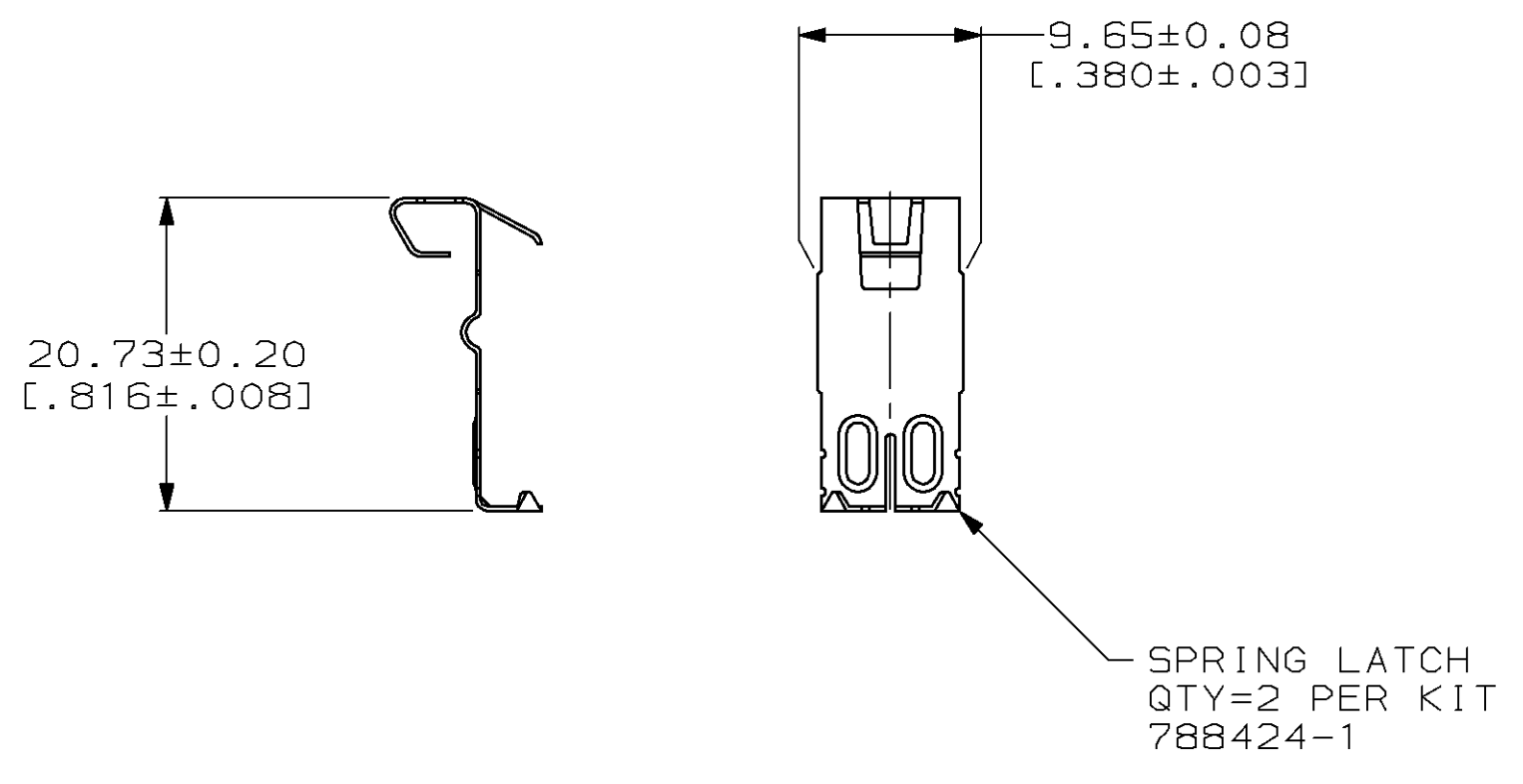


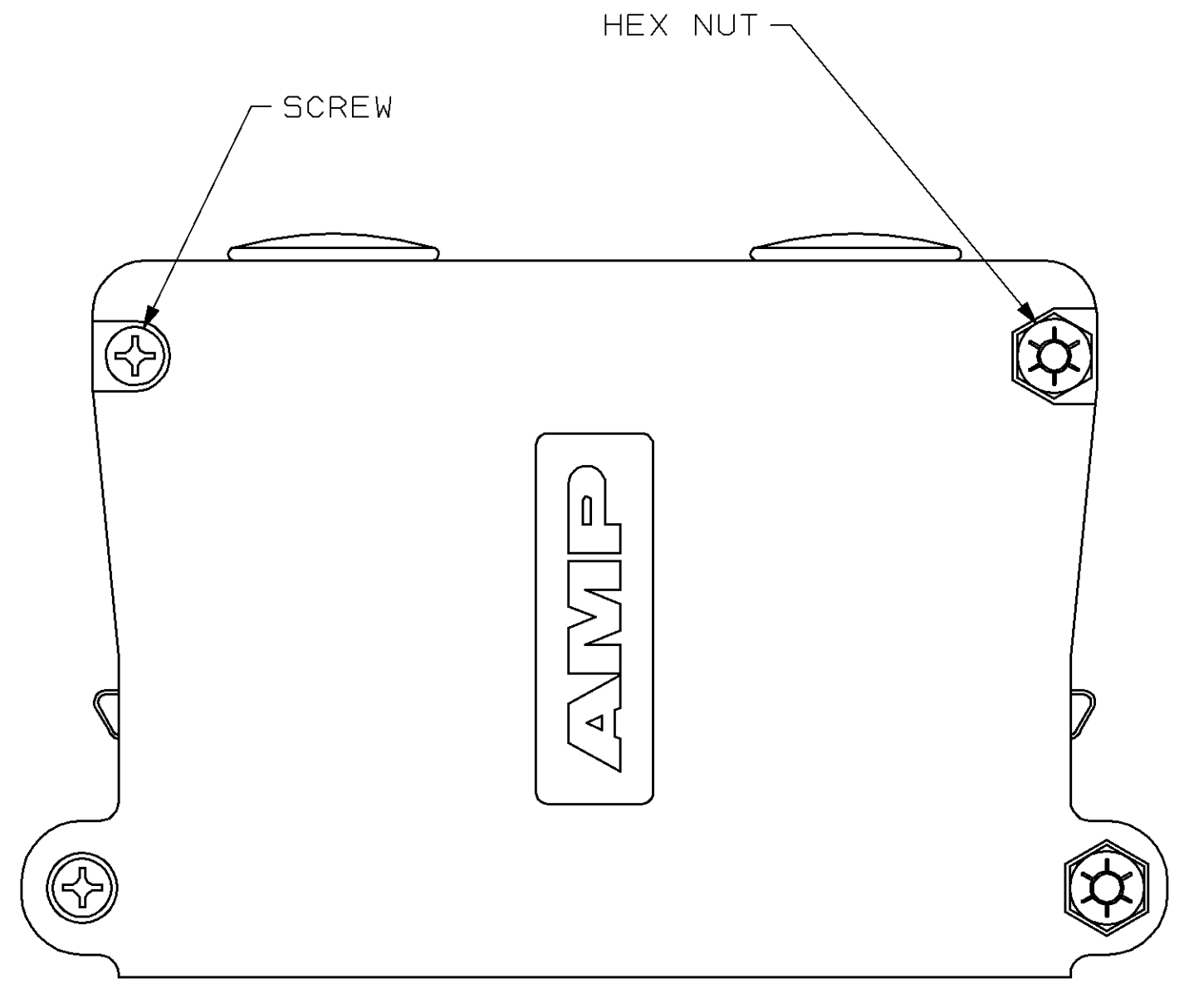
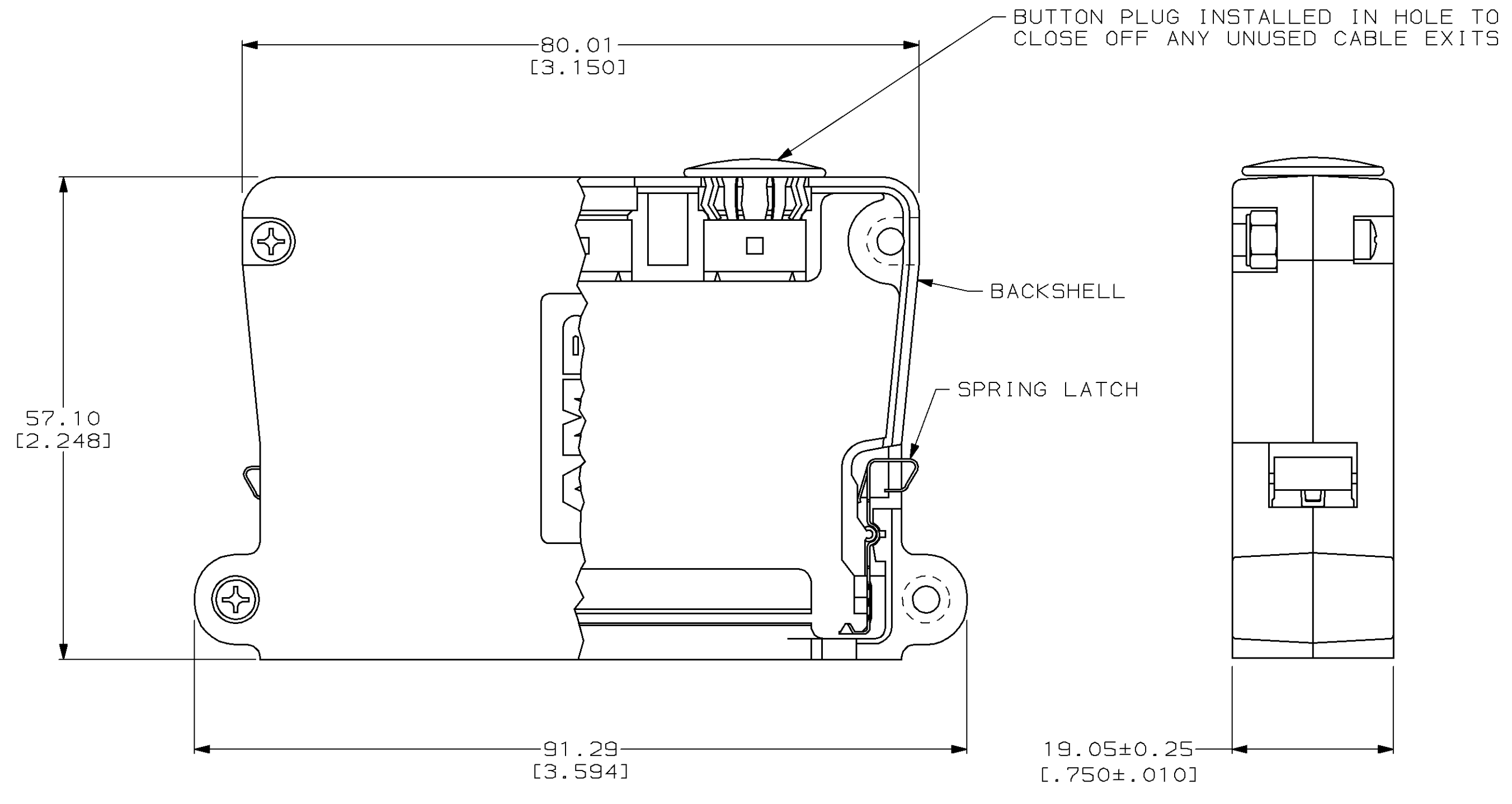
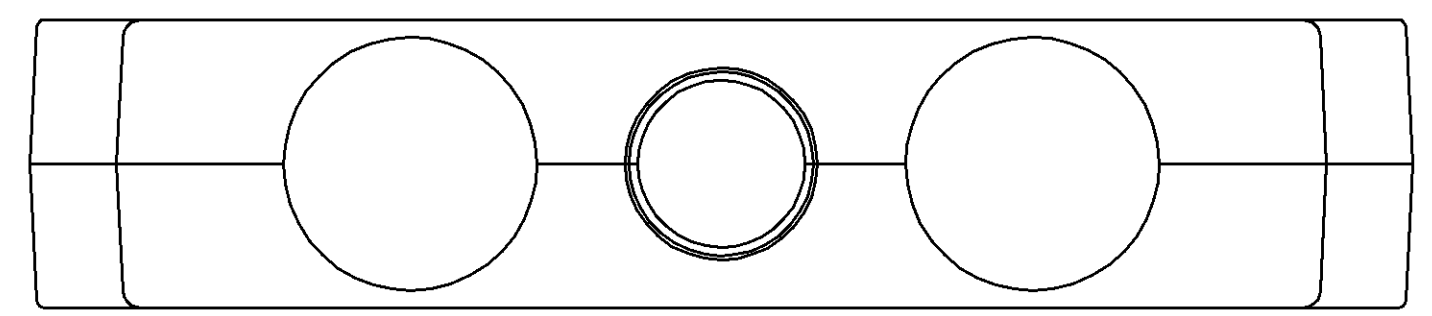
LOC	DIST	REVISIONS			
P	LYR	DESCRIPTION	DATE	DWN	APVD
E		RLSE PER NPR 23	10 APR 97	WGL	-
F		REV PER EC 0320-169-97	27 MAY 97	MB	GM
G		REV PER EC 0640-321-98	28 AUG 98	MB	JO
H		REV PER EC 0640-404-98	16 OCT 98	CO	JO



BACKSHELL  
QTY=2 PER KIT  
788091-2



ASSEMBLED VIEWS



- ① BACKSHELL: ABS, NATURAL.  
SPRING LATCH: STAINLESS STEEL, HEAT TREATED.  
SCREW, HEX NUT, AND BUTTON: CARBON STEEL.
- ② BACKSHELL: 4.57µm[.000180] MIN NICKEL OVER 7.62µm[.000300] MIN  
COPPER, ALL OVER 0.25µm[.000010] MIN ELECTROLESS NICKEL.  
SCREW AND HEX NUT: ZINC; BUTTON: NICKEL.
- ③ KITS ARE INDIVIDUALLY PACKED.
- ④ KITS ARE BULK PACKED.

④	788072-2
③	788072-1
PART NUMBER	

THIS DRAWING IS A CONTROLLED DOCUMENT.		DWN H. G. LENKER	03 OCT 96	<b>AMP</b>	AMP Incorporated
		CHK R. STONE	14 APR 97		Harrisburg, PA 17105-3608
DIMENSIONS: mm (INCHES)		TOLERANCES UNLESS OTHERWISE SPECIFIED:		NAME G. D. MILLER	
0 PLC ±		1 PLC ±		PRODUCT SPEC	
2 PLC ±		3 PLC ±		108-40032-1	
4 PLC ±		ANGLES ±		APPLICATION SPEC	
MATERIAL		FINISH		SIZE	
				CAGE CODE	
				DRAWING NO	
				A1 00779	
				SCALE	
				2:1	
				SHEET	
				1 OF 1	
				REV	
				H	