

THIS DRAWING IS UNPUBLISHED.

RELEASED FOR PUBLICATION

ALL RIGHTS RESERVED.

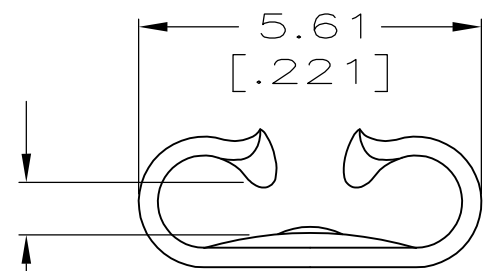
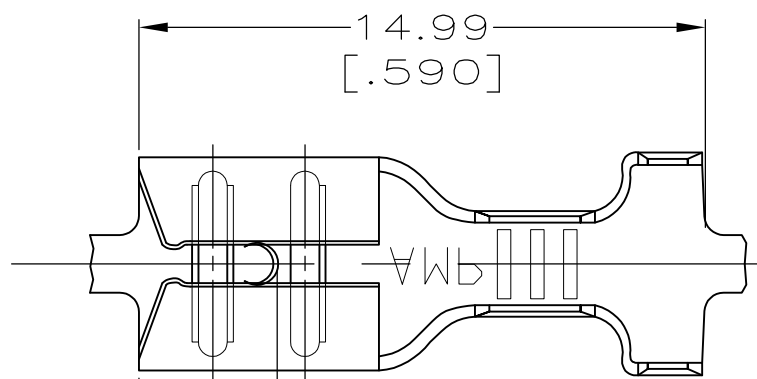
© COPYRIGHT - By -

LOC AF DIST 50

REVISIONS

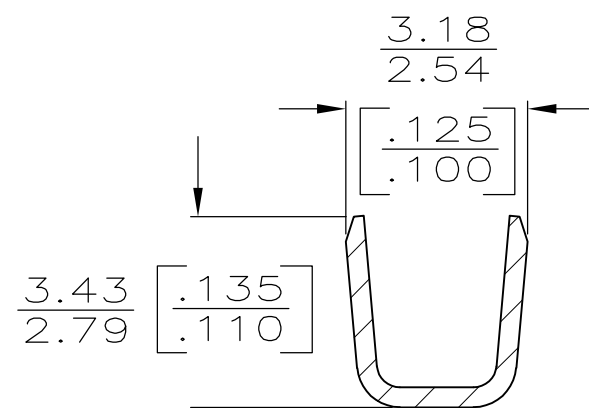
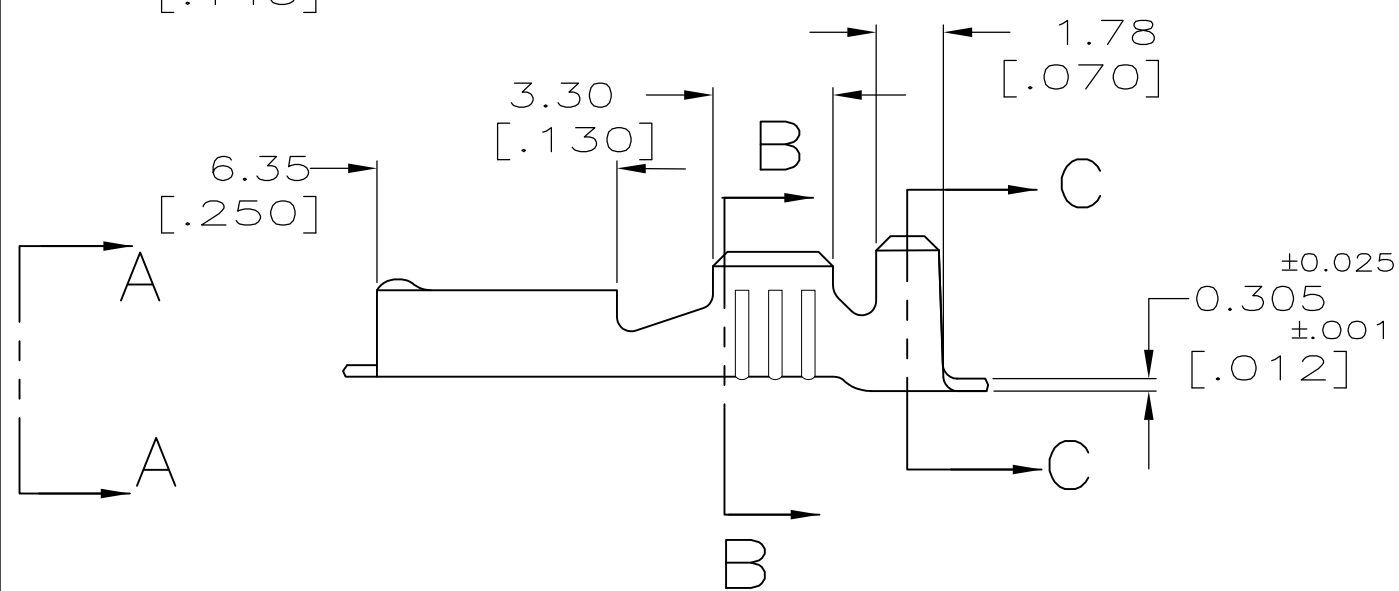
P	LTR	DESCRIPTION	DATE	DWN	APVD
	H	REVISED PER ECR-12-013459	28NOV2012	KH	PD

1 CONTINUOUS STRIP ON REELS.

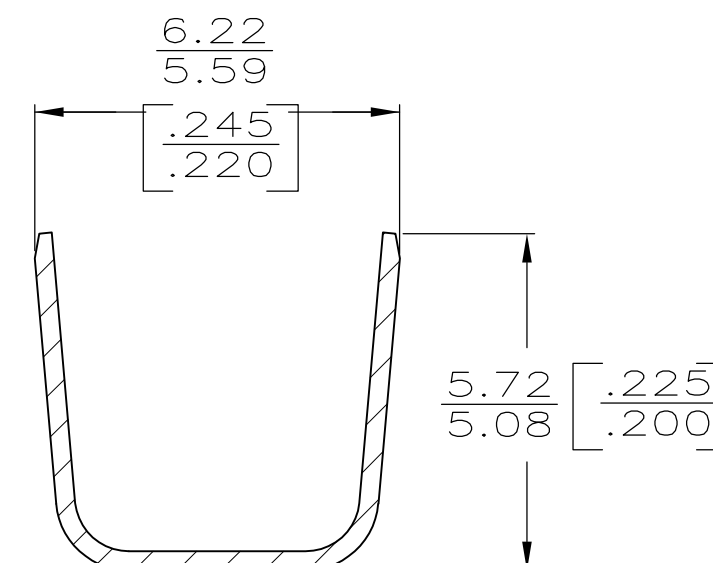


FITS 4.75 [.187] SERIES FASTON TABS

VIEW A-A SCALE 8:1




SECTION B-B SCALE 8:1



SECTION C-C SCALE 8:1

2.29-3.30 OR (2)2.29 [.090-.130 OR (2).090]	0.5-1.3 OR (2)0.5 [20-16 OR (2)20'S]	0.508 [.020]	61892-1
INSUL RANGE	WIRE SIZE	MATING TAB THK ±0.025 [±.001]	PART NO.

THIS DRAWING IS A CONTROLLED DOCUMENT.		DWN JR RUTH 2/22/90	 TE Connectivity RECEPTACLE, FASTON, 2.79 [.187] SERIES						
DIMENSIONS: mm [INCHES]		CHK MS FEHER 2/22/90							
TOLERANCES UNLESS OTHERWISE SPECIFIED:		APVD C MEYERS 2/22/90							
0 PLC ± - 1 PLC ± - 2 PLC ± - 3 PLC ± 0.25 [.010] 4 PLC ± - ANGLES ± -		PRODUCT SPEC -	NAME						
MATERIAL BRASS		FINISH -	APPLICATION SPEC -	RESTRICTED TO -					
CUSTOMER DRAWING			WEIGHT -	SIZE A3	CAGE CODE 00779	DRAWING NO C-61892	SCALE 5:1	SHEET 1 OF 1	REV H