

Type 2 surge protection base element - VAL-MS 75X350/3EQ - 2905250

Please be informed that the data shown in this PDF Document is generated from our Online Catalog. Please find the complete data in the user's documentation. Our General Terms of Use for Downloads are valid (<http://phoenixcontact.com/download>)



Base element for type 2 arresters of the VALVETRAB MS product range, with remote indication contact. Version for 3-phase power supplies with PEN conductor.

Why buy this product

- Versions with and without floating remote indication contact
- 3-Mode equalizer protection
- Mechanical coding of all slots
- Optical, mechanical status indication for the individual arresters
- Type 2 consistent plug-in surge arresters

Key Commercial Data

Packing unit	1 STK
Weight per Piece (excluding packing)	200.000 g
Country of origin	Germany

Technical data

Note

Trade restriction	The products are offered exclusively for export outside the EU and the European Economic Area.
-------------------	--

Dimensions

Height	90 mm
Width	53.4 mm
Depth	65.5 mm

Ambient conditions

Degree of protection	IP20
Ambient temperature (operation)	-40 °C ... 80 °C

Type 2 surge protection base element - VAL-MS 75X350/3EQ - 2905250

Technical data

Ambient conditions

Permissible humidity (operation)	5 % ... 95 %
Shock (operation)	25g
Vibration (operation)	5g

General

Housing material	PBT / PA
Flammability rating according to UL 94	V0
Color	black
Standards for clearances and creepage distances	EN 60664-1
	EN 61643-1
Mounting type	DIN rail: 35 mm
Type	DIN rail module, two-section, divisible
Number of positions	3
Surge protection fault message	optical
Direction of action	(L+)-PE & (L-)-PE & (L+)-(L-)

Protective circuit

IEC test classification	II
	T2
EN type	T2
Maximum continuous operating voltage U_C (L-N)	60 V
Maximum continuous operating voltage U_C (L-PE)	230 V
Nominal frequency f_N	50 Hz (60 Hz)
Rated load current I_L	80 A (Serial through wiring at 16 mm ²)
Max. discharge current I_{max} (8/20) μ s maximum (L-N)	20 kA
Max. discharge current I_{max} (8/20) μ s maximum (L-PE)	20 kA
Nominal discharge current I_n (8/20) μ s (L-N)	10 kA
Nominal discharge current I_n (8/20) μ s (L-PE)	10 kA
Voltage protection level U_p (L-N)	\leq 700 V
Voltage protection level U_p (L-PE)	\leq 1500 V
Voltage protection level U_p (L+) - (L-)	\leq 700 V
Voltage protection level U_p (L+/L-) - PE	\leq 1500 V
Response time t_A	\leq 25 ns
Max. backup fuse with branch wiring	200 A (gL / gG)
Max. backup fuse with V-type through wiring	80 A (gL / gG)
Short-circuit resistance I_p with max. backup fuse (effective)	25 kA

Connection, protective circuit

Type 2 surge protection base element - VAL-MS 75X350/3EQ - 2905250

Technical data

Connection, protective circuit

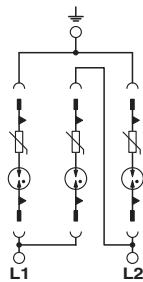
Connection method	Screw connection
Connection type IN	Biconnect screw terminal block
Connection type OUT	Biconnect screw terminal block
Connection method	Biconnect terminal block
Screw thread	M5
Tightening torque	26.5 lb _F -in. ... 30 lb _F -in. (UL)
Stripping length	16 mm
Conductor cross section flexible min.	1.5 mm ²
Conductor cross section flexible max.	25 mm ²
Conductor cross section solid min.	1.5 mm ²
Conductor cross section solid max.	35 mm ²
Conductor cross section AWG min.	15
Conductor cross section AWG max.	2
Conductor cross section AWG	10 ... 2 (UL)

Standards and Regulations

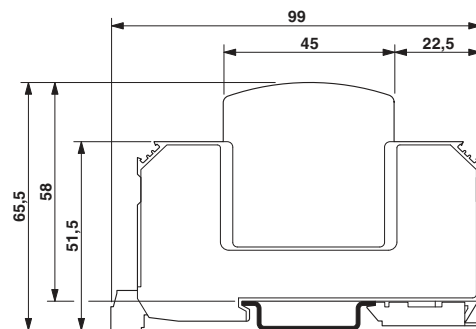
Standards/regulations	IEC 61643-11
	EN 61643-11
	IEC 61643-11
	EN 61643-11

Drawings

Circuit diagram



Dimensional drawing



The illustration shows the dimensional drawing for a version with remote indicator contact

Type 2 surge protection base element - VAL-MS 75X350/3EQ - 2905250

Classifications

eCl@ss

eCl@ss 5.1	27130801
eCl@ss 6.0	27130805

Phoenix Contact 2016 © - all rights reserved
<http://www.phoenixcontact.com>