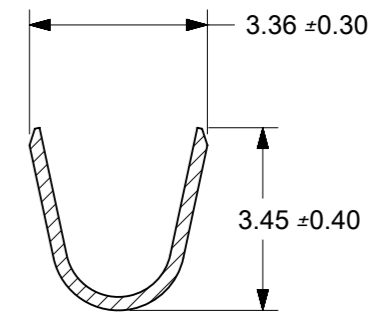
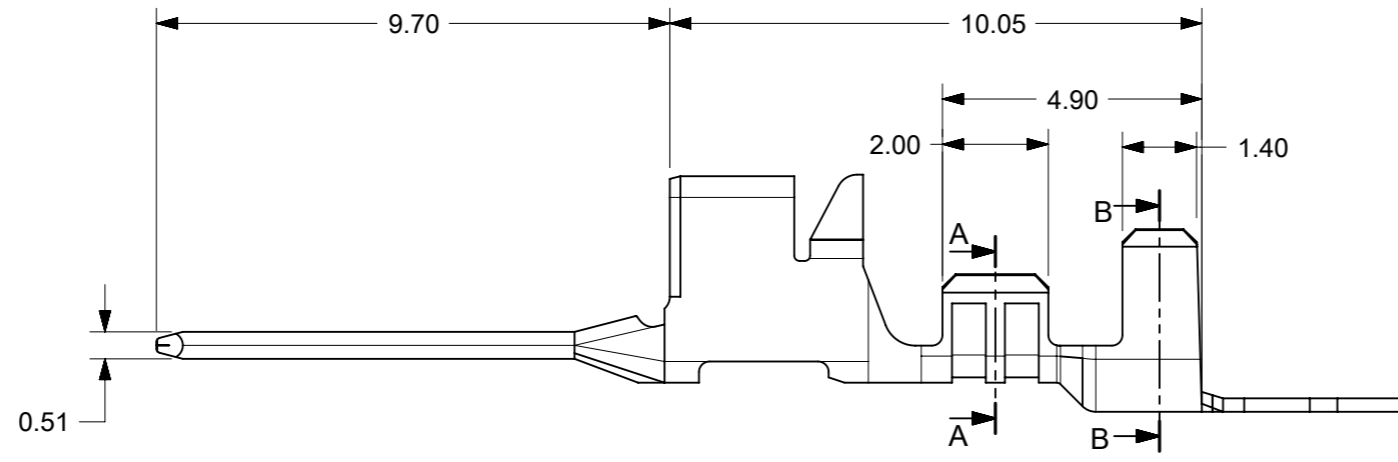
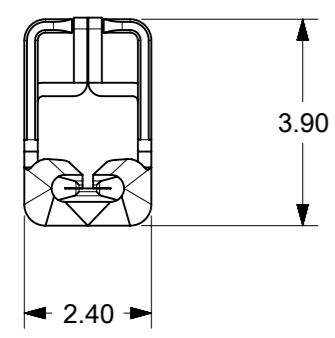


SECTION A-A



SECTION B-B



FORM:	PART NO.
CHAIN	2050328000

- NOTES:
1. APPLICABLE HOUSING: 203438 SERIES
  2. MATERIAL: COPPER ALLOY  
THICKNESS: 0.25MM  
PLATING: TIN PLATING
  3. INSULATOR RANGE:  $\varnothing 1.25 \sim \varnothing 2.35$
  4. WIRE RANGE: AWG 22 ~ AWG 24

<b>SYMBOLS</b> ▽ = 0 ▽ = 0 ▽ = 0 ▽ = 0 ▽ = 0 ▽ = 0 ▽ = 0 ▽ = 0 ▽ = 0 ▽ = 0 ▽ = 0 ▽ = 0	THIS DRAWING CONTAINS INFORMATION THAT IS PROPRIETARY TO MOLEX ELECTRONIC TECHNOLOGIES, LLC AND SHOULD NOT BE USED WITHOUT WRITTEN PERMISSION	CURRENT REV DESC: PRODUCTION RELEASE					
	DIMENSION UNITS: mm	SCALE: 7:1	EC NO: 615738				CP6.5 WTW CRIMP TERMINAL FOR AWG 22 ~ 24
	GENERAL TOLERANCES (UNLESS SPECIFIED)		DRWN: SMAHAJANSHET 2019/04/25		PRODUCT CUSTOMER DRAWING		
	ANGULAR TOL ± 3.0°		CHK'D: NCSR 2019/04/26		DOCUMENT NUMBER: 2050328000-SD		
4 PLACES ±		APPR: NCSR 2019/04/26		DOC TYPE: PSD		DOC PART: 000	REVISION: B
3 PLACES ±		INITIAL REVISION:		MATERIAL NUMBER: SEE TABLE			CUSTOMER: GENERAL MARKET
2 PLACES ± 0.25		DRWN: SMAHAJANSHET 2019/01/30		SERIES: A3-SIZE			SHEET NUMBER: 1 OF 1
1 PLACE ±		APPR: NCSR 2019/02/20		MATERIAL NUMBER: SEE TABLE			CUSTOMER: GENERAL MARKET
0 PLACES ±		THIRD ANGLE PROJECTION		SERIES: 205032			SHEET NUMBER: 1 OF 1
DRAFT WHERE APPLICABLE MUST REMAIN WITHIN DIMENSIONS		DRAWING		MATERIAL NUMBER: SEE TABLE			CUSTOMER: GENERAL MARKET
		A3-SIZE		SERIES: 205032			SHEET NUMBER: 1 OF 1