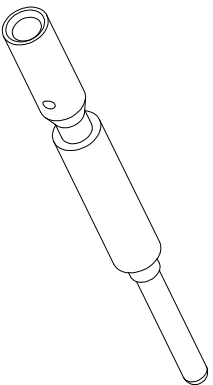
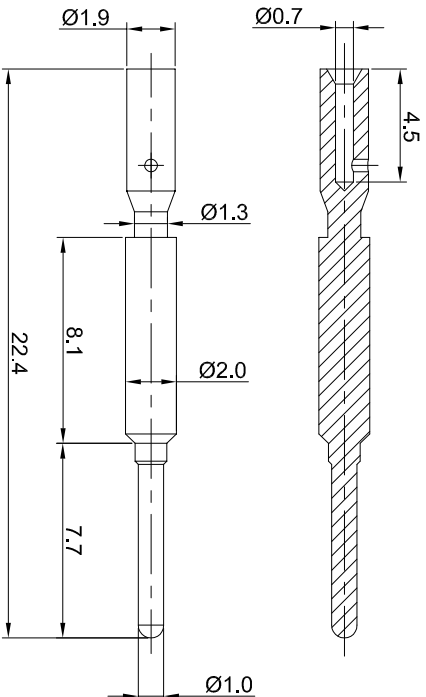


| REVISIONS |     |                        |          |     |       |
|-----------|-----|------------------------|----------|-----|-------|
| REV       | ECO | DESCRIPTION            | DATE     | BY  | APPR  |
| B1        | -   | RELEASE NEW DWG FORMAT | 06/16/14 | TOD | TOMMY |
| B2        | -   | UPDTAED SPECIFICATION  | 09/14/15 | TOD | TOMMY |



- NOTES: UNLESS OTHERWISE SPECIFIED
- MATERIAL: COPPER ALLOY, GOLD PLATED
  - SPECIFICATIONS:
    - RATED CURRENT: 10 AMPS
    - CONTACT RESISTANCE: <5 milliohm
    - AVAILABLE WIRE RANGE: 28AWG~24AWG
    - ROHS COMPLIANT
  - ALL DIMENSIONS ARE FOR REFERENCE USE ONLY.

| QUANTITY   | SEE PART NUMBER CHART | PART NUMBER | DESCRIPTION | ITEM |
|--|-----------------------|-------------|-------------|------|
| <b>MATERIALS LIST</b>  |                       |             |             |      |
| UNLESS OTHERWISE SPECIFIED   |                       |             |             |      |
| 1) All dimensions are in millimeters.  |                       |             |             |      |
| 2) Tolerances are as follows:  |                       |             |             |      |
| 1 Pl. DEC 20.08  |                       |             |             |      |
| 2 Fractions 1/164  |                       |             |             |      |
| 3 Pl. DEC 20.08  |                       |             |             |      |
| 3) Note reference =  A   |                       |             |             |      |
| MATERIAL SPECIFICATIONS:   |                       |             |             |      |
| CUSTOMER:  |                       |             |             |      |
| APPROVAL:  |                       |             |             |      |
| ENGINEER:  |                       |             |             |      |
| CHECKED:   |                       |             |             |      |
| DRAWN: <b>td</b>   |                       |             |             |      |
| DATE: <b>06/16/14</b>  |                       |             |             |      |
| SIGNATURES:  |                       |             |             |      |
| DATE: <b>06/16/14</b>  |                       |             |             |      |
| INFORMATION ONLY: DESIGN FEATURES, SPECIFICATIONS AND PERFORMANCE DATA OF REPRODUCTION ARE LIMITED. ALL THE APPLICABLE INFORMATION AND RIGHTS OF MANUFACTURING VARIATIONS. |                       |             |             |      |
| SCALE: <b>NONE</b>   |                       |             |             |      |
| SIZE: <b>B</b>   |                       |             |             |      |
| TYPE: <b>C-</b>  |                       |             |             |      |
| DWG NO: <b>SC000146</b>  |                       |             |             |      |
| REVISION: <b>B2</b>  |                       |             |             |      |
| Pin contact, 20#, Chimp 28-24AWG   |                       |             |             |      |
| SHEET: <b>1</b> OF: <b>1</b>   |                       |             |             |      |

|         |                                  |
|---------|----------------------------------|
| TITLE:  | Pin contact, 20#, Chimp 28-24AWG |
| DWG NO: | SC000146                         |
| REV:    | B2                               |
| SH:     | 1                                |
| OF:     | 1                                |