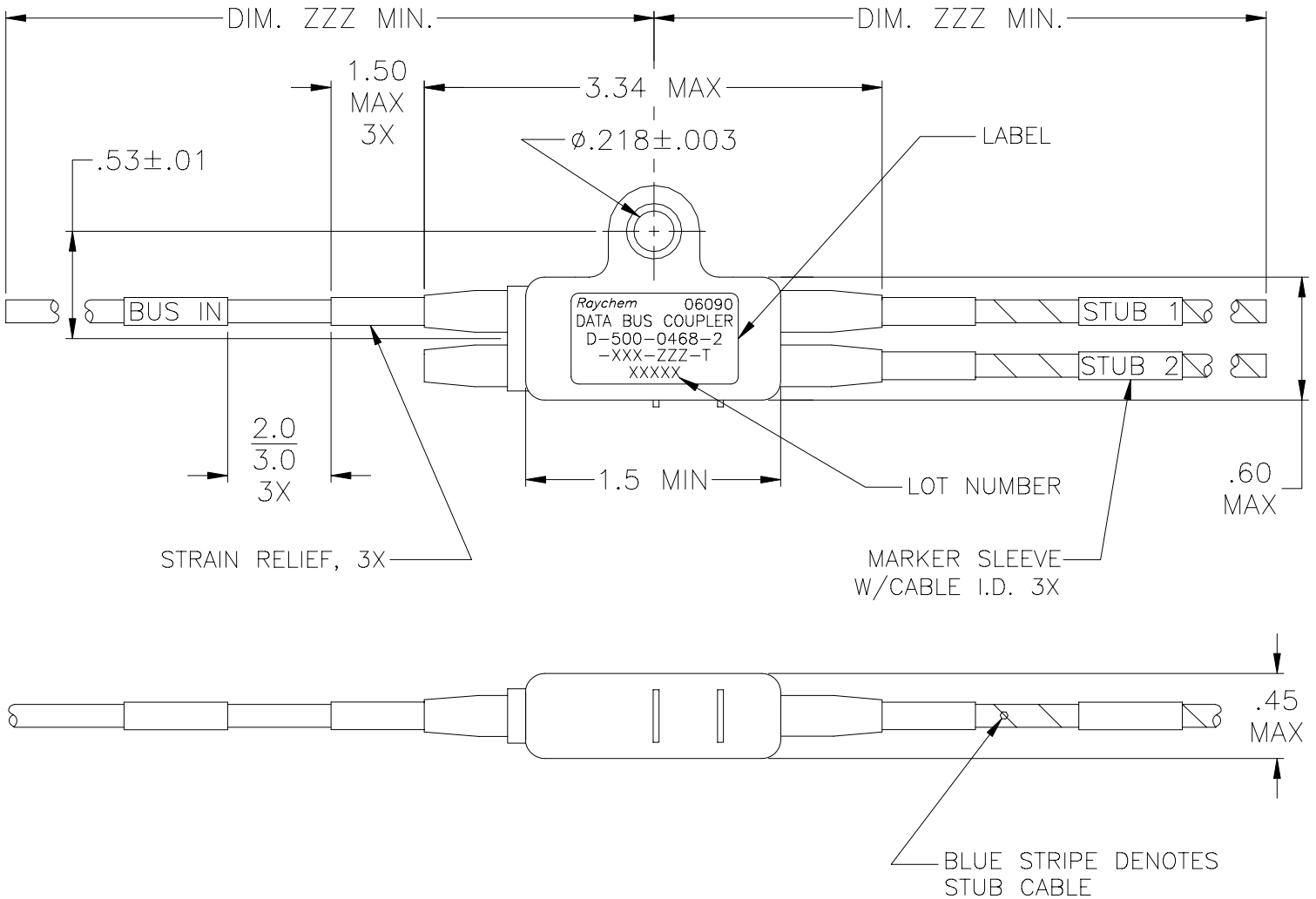


If this document is printed it becomes uncontrolled.  
Check for the latest revision.

REVISION		DATE
REV	DESCRIPTION	DATE
A	REVISED PER DCR NO. T-31578	6/11/03



PART NO. D-500-0468-2-XXX-ZZZ-T

2=DOUBLE STUB      TUBING, STRAIN RELIEF  
 LENGTH OF CABLE IN INCHES  
 CABLE  
 612=10612 (SINGLE OPTIMIZED BRAID)  
 613=10613 (DOUBLE OPTIMIZED BRAID)  
 614=10614 (EMP HARDENED)

### SPECIFICATION CONTROL DRAWING

UNLESS OTHERWISE SPECIFIED  
DIMENSIONS ARE INCHES. METRIC  
DIMENSIONS ARE IN BRACKETS.

DRAWN  
T RATZLAFF      DATE  
01JAN16

**tyco** Tyco Electronics  
**Electronics** 300 CONSTITUTION DRIVE  
MENLO PARK, CALIFORNIA 94025 USA      *Raychem*

DECIMAL TOLERANCES  
.XXX ± --- [ --- mm]  
.XX ± --- [ --- mm]  
.X ± --- [ --- mm]

ANGLE TOLERANCE  
.X ± ---

WEIGHT FINISH  
SEE NOTES

MATERIAL

FINISH

TITLE  
DATABUS COUPLER, DOUBLE STUB  
IN-LINE W/CABLE STRAIN RELIEF  
REVERSE W/INTERNAL TERMINATOR,  
& MOUNTING LUG

THIRD ANGLE PROJECTION

SIZE A	CODE IDENT. NO. 06090	DWG. NO. D-500-0468-2-XXX-ZZZ-T
-----------	--------------------------	------------------------------------

1. MATERIAL AND FINISHES:

## 1.1 INTERNAL COMPONENTS:

- 1.1.1 -TRANSFORMER TO MIL-PRF-21038 AND MIL-STD-1553B
- 1.1.2 -RESISTORS, ISOLATION PER MIL-PRF-39007/9, 57.6 OHMS (R1)
- 1.1.3 -RESISTORS, TERMINATION PER MIL-PRF-39007/9, 76.8 OHMS (R2)
- 1.2 SHIELDED CASE: ALUMINUM PER ASTM-B618

1.3 SEALED STRAIN RELIEF COVER: MODIFIED CROSS-LINKED ELASTOMER, BLACK, TO RAYCHEM SPECIFICATION RK-6713.

1.4 CABLE TYPE PER RAYCHEM SPECIFICATION 1200 (SEE PART NO. ON SHEET 1).

1.5 STRAIN RELIEF TUBING: RAYCHEM TAT-125

2. APPLICATION:

2.1 THIS COUPLER IS DESIGNED TO BE INSTALLED AS A DIGITAL MULTIPLEX ASSEMBLY MEETING THE REQUIREMENTS OF MIL-STD-1553B.

2.2 FOR CABLE SPLICING USE FLEXIBLE SPLICE KIT D-150-0708-5 (NOT SUPPLIED).

2.3 CABLE BEND RADIUS PER SAE-AS50881 STATIC BEND: 5 x CABLE O.D. MIN.  
DYNAMIC BEND: 10 x CABLE O.D. MIN.

3. TEMPERATURE:

3.1 OPERATING TEMPERATURE: -65°C TO +150°C

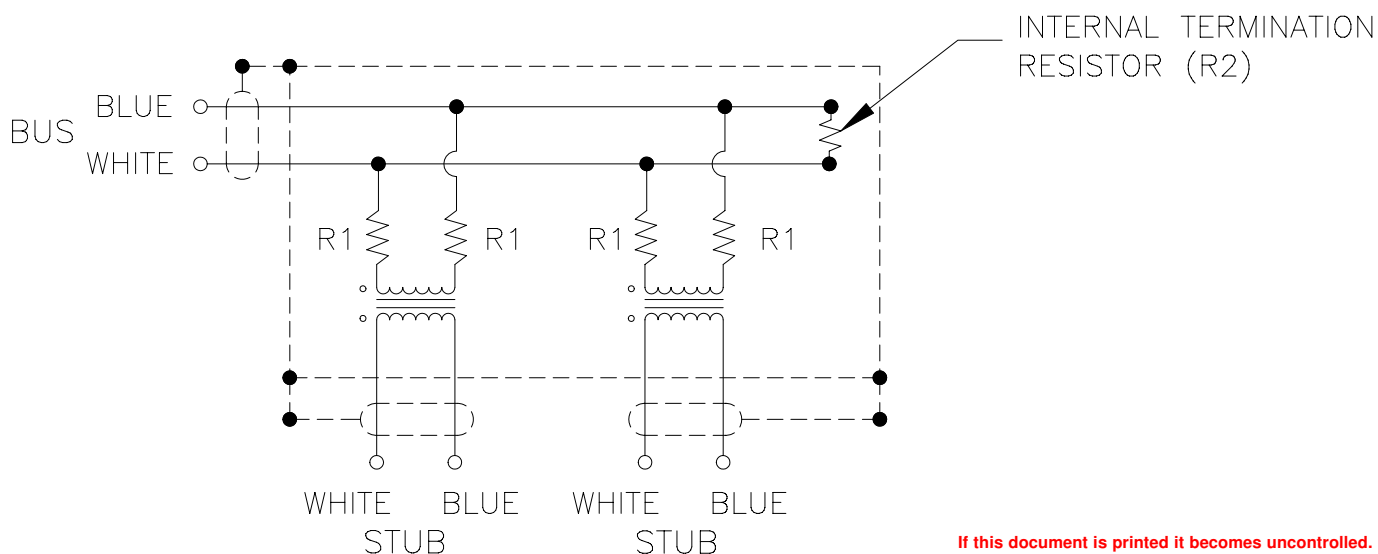
4. PERFORMANCE SPECIFICATIONS:

4.1 TRANSFORMER MEETS THE PERFORMANCE REQUIREMENTS OF MIL-STD-1553B.

4.2 COUPLER MEETS THE PERFORMANCE REQUIREMENTS OF RAYCHEM SPECIFICATION D-6020.

5. WEIGHT:

5.1 MAXIMUM WEIGHT WITHOUT CABLE: 23 GRAMS MAX.

DOUBLE STUB COUPLER SCHEMATIC

If this document is printed it becomes uncontrolled.  
Check for the latest revision.

## SPECIFICATION CONTROL DRAWING

DRAWN T RATZLAFF	DATE 01JAN16	SIZE A	CODE IDENT. NO. 06090	DWG. NO. D-500-0468-2-XXX-ZZZ-T	REV A
CAD FILE T31578B	<b>tyco</b> <b>Electronics</b>	DO NOT SCALE THIS DRAWING			SHEET 2 OF 2