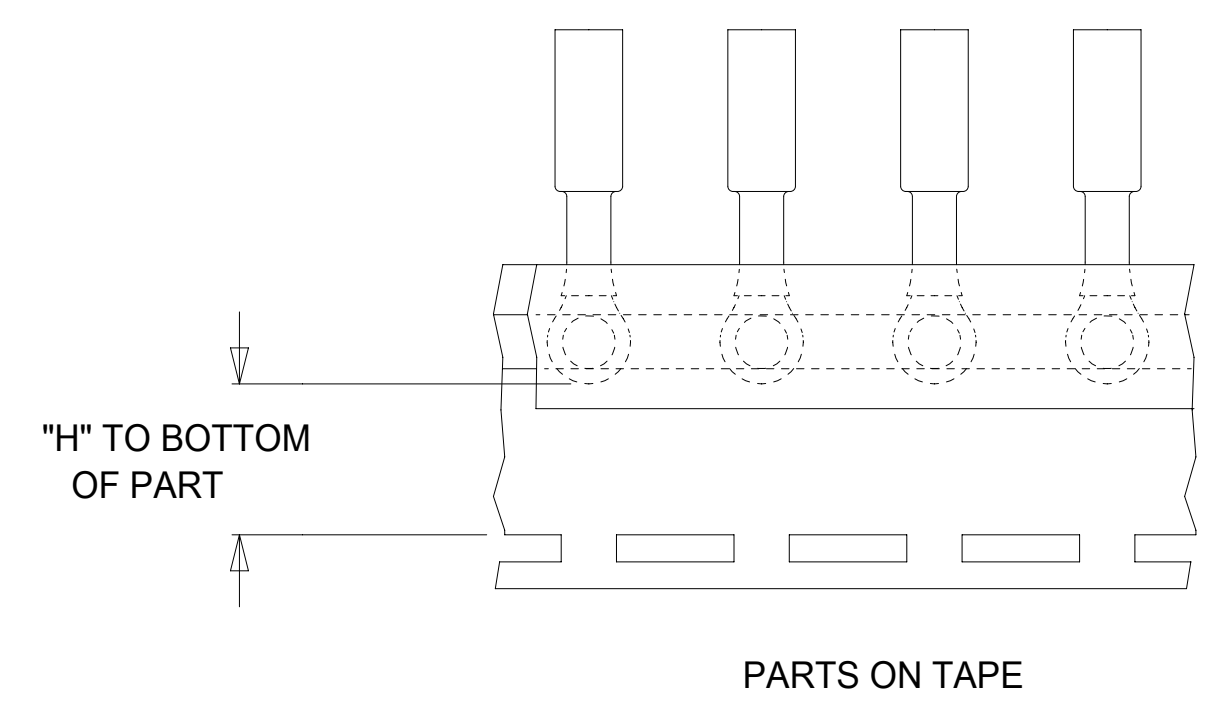
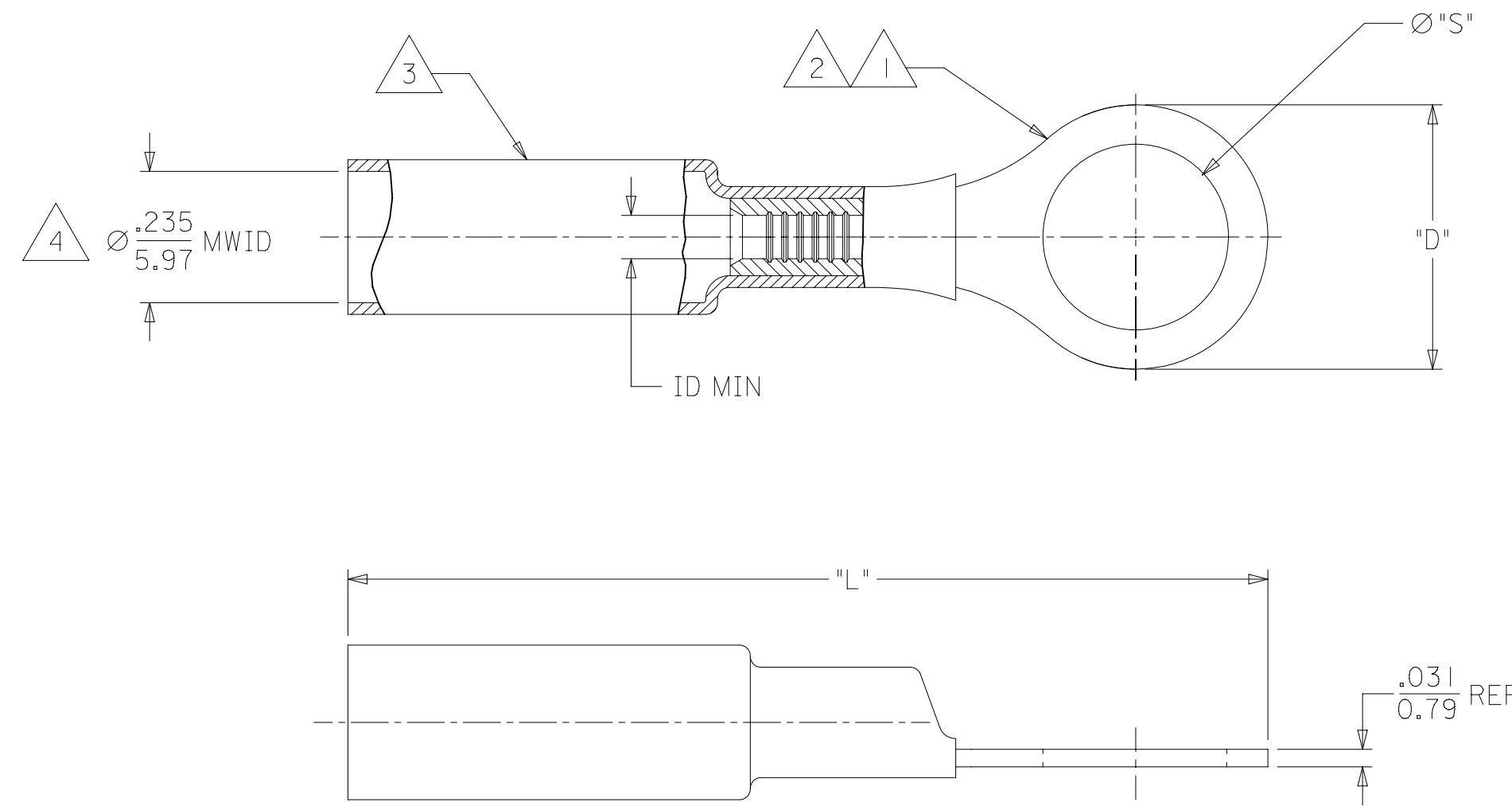


MAT'L NO.	ENG NO.	MAT'L NO. (TAPE)	ENG NO. (TAPE)	STUD SIZE	"S" ±.005 (0.03)	"D" MAX	"H" REF	"L" MAX	ID MIN
191640031	SB-237-04	-----	-----	#4	.119/3.02	.320/8.17	-----	1.45/36.8	.082/2.08
191640032	SB-237-06	191640310	SB-237-06T	#6	.146/3.71	.320/8.17	.545/13.84	1.45/36.8	.082/2.08
191640033	SB-237-08	191640311	SB-237-08T	#8	.173/4.39	.320/8.17	.545/13.84	1.45/36.8	.082/2.08
191640034	SB-237-10	191640312	SB-237-10T	#10	.198/5.03	.320/8.17	.545/13.84	1.45/36.8	.082/2.08
191640025	SB-225-10	-----	-----	#10	.198/5.03	.475/12.07	-----	1.63/41.4	.082/2.08
191640026	SB-225-14	191640308	SB-225-14T	1/4	.265/6.73	.475/12.07	.363/9.22	1.63/41.4	.082/2.08
191640027	SB-225-56	191640309	SB-225-56T	5/16	.328/8.33	.475/12.07	.363/9.22	1.63/41.4	.082/2.08
191640020	SB-218-38	191640307	SB-218-38T	3/8	.390/9.91	.544/13.82	.340/8.64	1.68/42.67	.082/2.08
<b>191640022</b>	<b>SB-223-06</b>	---	---	<b>#6</b>	<b>.146/3.71</b>	<b>.255/6.48</b>	---	<b>1.26/32.0</b>	<b>.082/2.08</b>



- NOTE(S):
- 1 TERMINAL MATERIAL: COPPER ALLOY
  - 2 FINISH: ELECTRO TIN PLATE.
  - 3 INSULATION MATERIAL: HEAT SHRINKABLE TUBING WITH HOTMELT ADHESIVE INNER LINER. COLOR: BLUE
  - 4 MWID = MAXIMUM WIRE UNSULATION DIAMETER.
  - 5. PARTS ARE RoHS COMPLIANT.

FUNCTIONAL SYMBOLS	THIS DRAWING CONTAINS INFORMATION THAT IS PROPRIETARY TO MOLEX ELECTRONIC TECHNOLOGIES, LLC AND SHOULD NOT BE USED WITHOUT WRITTEN PERMISSION			
	DIMENSION UNITS	SCALE	CURRENT REV DESC: ENG PN#: SB-237-** "H" REF DIM .545 WAS .527 & SB-225-** "H" REF DIM .363 WAS .338	
$F_A = 0$	IN/MM	NTS	EC NO: 692404 DRWN: DMYRICK 2022/01/17 CHK'D: JMACNEIL 2022/01/17 APPR: JMACNEIL 2022/01/17	
$F_C = 0$	GENERAL TOLERANCES (UNLESS SPECIFIED)			
$F_P = 0$		MM	INCH	INITIAL REVISION: DRWN: APPR:
DIVISIONAL SYMBOLS	4 PLACES	±	±	
	3 PLACES	±	±	DOCUMENT NUMBER: <b>SD-19164-026</b> DOC TYPE: PSD DOC PART: 001 REVISION: C5
	2 PLACES	±	±	
	1 PLACE	±	±	MATERIAL NUMBER: SEE CHART CUSTOMER: GENERAL MARKET SHEET NUMBER: 1 OF 1
	0 PLACES	±	±	
	ANGULAR TOL	±	°	THIRD ANGLE PROJECTION
	DRAFT WHERE APPLICABLE MUST REMAIN WITHIN DIMENSIONS	DRAWING: C-SIZE		SERIES: 19164