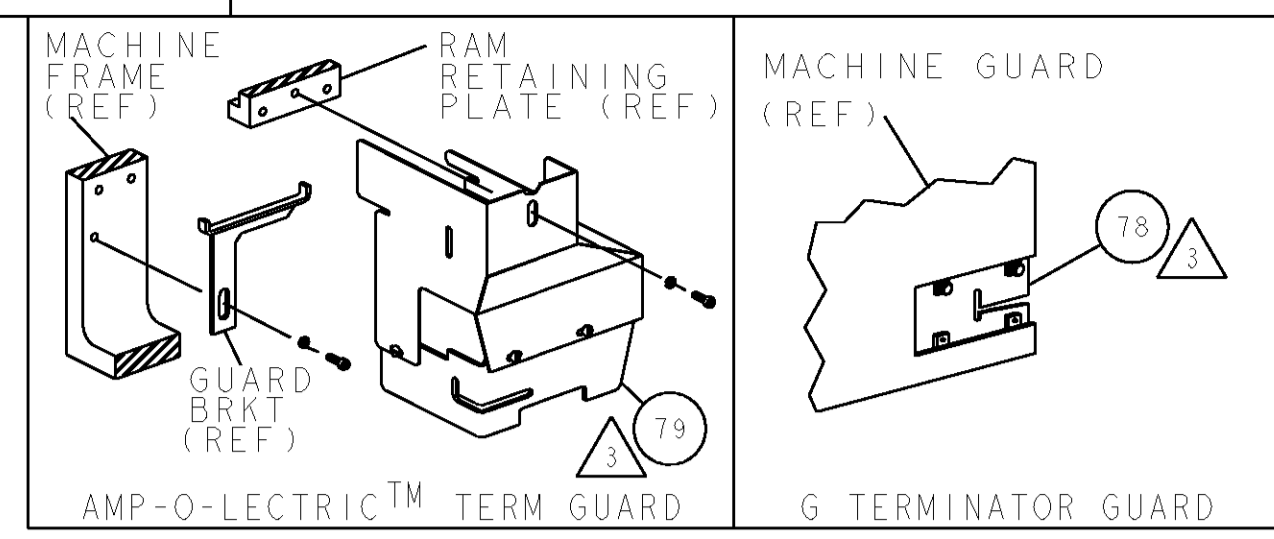
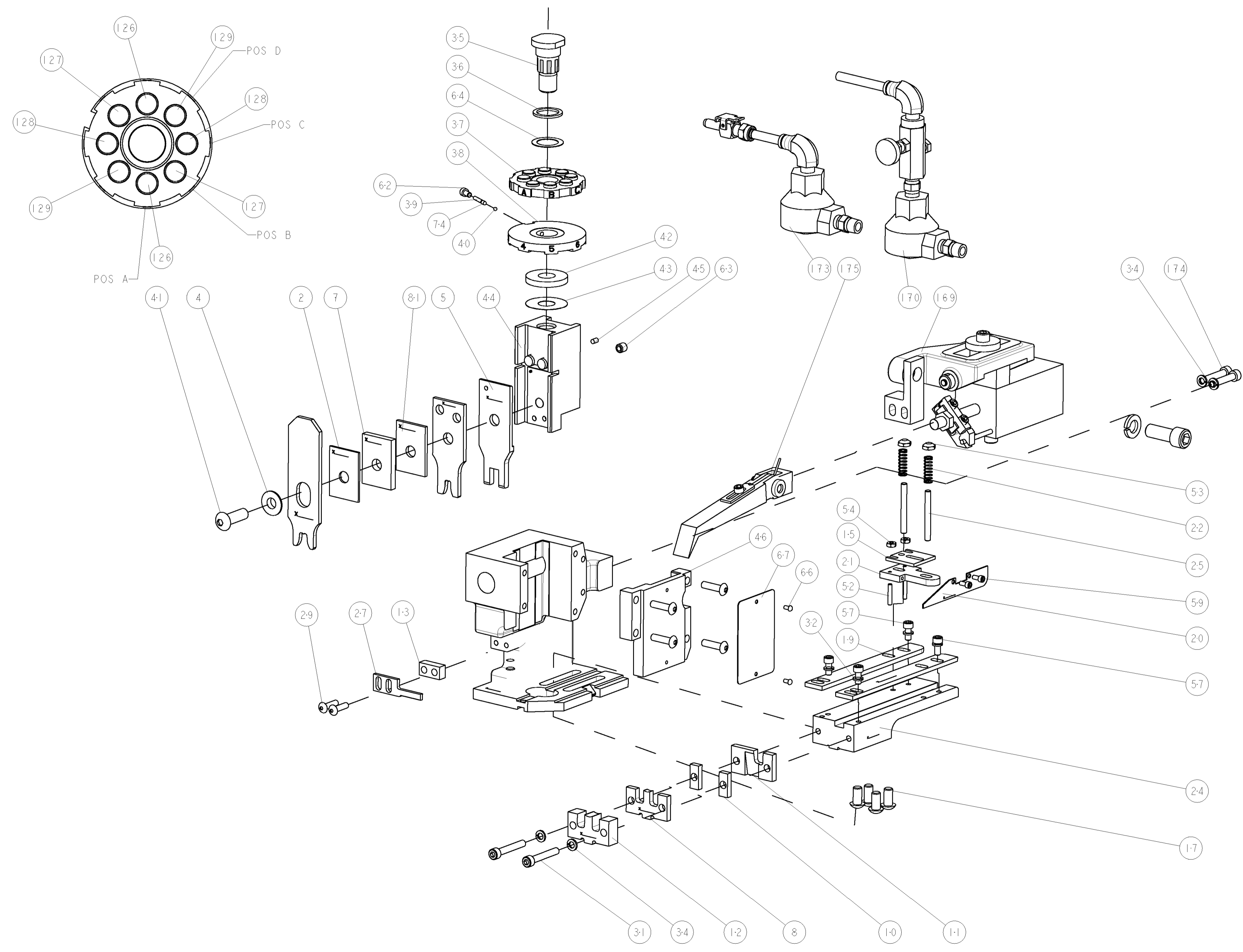


PART NUMBER	REV	FIRST USED	POWER UNIT	FEED TYPE
1852583-1	A	122500-1	LEADMAKER & BENCH MODEL G	POST FEED
1852583-2	A	565435-5	BENCH MODEL K	POST FEED
7-1852583-7	A	-	SPARE PARTS	-



TE PN		MFR PN	STANDEX TERMINAL - TE CRIMP SPECS	
1949552-1	-	FL100A-101-TR		
-	-	PAD LTR	CRIMP HEIGHT	WIRE SIZE
-	-	A	3.30±0.05mm [.130±.002]	8AWG
-	-	B	2.79±0.05mm [.110±.002]	10AWG
-	-	C	2.67±0.05mm [.105±.002]	12AWG
-	-	D	2.54±0.05mm [.100±.002]	14AWG
-	-	CRIMP	SIZE	TYPE
-	-	WIRE	5.08mm [.200]	F
-	-	INSUL	7.11mm [.280]	F
WIRE STRIP LENGTH	TERM APPL SPEC	FEED	APPL INSTRUCTIONS	SET UP GAGE
4.72-5.10	NONE	19.61mm	408-8039	458638-1

- △ RECOMMENDED SPARE PARTS
- △ GREASE LIGHTLY
- △ GUARD MUST BE IN PLACE WHEN OPERATING APPLICATOR IN A BENCH MACHINE
- △ 14 AWG IS NOT RECOMMENDED.



LOC	DIST	REV	DESCRIPTION	DATE	BY	APPD
A	66		RELEASED	18DEC2007	BH	BH

-	1	1	-	1-460680-9	FEED FINGER ASSEMBLY	175
-	2	2	-	3-21000-9	SCR, SKT HD CAP 10-32 X 1.000	174
-	-	1	-	692655-7	AIR FEED VALVE ASSEMBLY	173
-	1	-	-	692655-5	AIR FEED VALVE ASSEMBLY	170
-	1	1	-	2-460277-5	AIR FEED ASSY	169
-	2	2	-	6-354779-0	PIN, WIRE DISC, .3290	129
-	2	2	-	5-354779-6	PIN, WIRE DISC, .3270	128
-	2	2	-	5-354779-4	PIN, WIRE DISC, .3260	127
-	2	2	-	1-354779-2	PIN, WIRE DISC, .3050	126
-	1	1	-	2-455888-2	SPACER, CRIMPER	81
-	REF	-	-	455745-1	GUARD WINDOW	79
-	-	REF	-	679532-1	INSERT, GUARD	78
-	1	1	-	690603-1	SPRING ASSIST AMP-O-MATOR APPLICATOR	74
-	1	1	-	217238-1	GENERAL INSTRUCTION PKG	72
-	1	1	-	4088039	EF APPL INST 408-8039	71
-	1	1	-	461264-1	PLATE, IDENTIFICATION	67
-	2	2	-	21017-2	SCREW, DRIVE	66
-	1	1	-	986950-1	WASHER, FLAT PRECISION	64
-	1	1	-	21009-2	SCR, SET, SELF LOCKING 1/4-20 X .250	63
-	1	1	-	23030-1	SCR, SKT HD CAP 6-32 X .25	62
-	2	2	-	1-21000-3	SCR, SKT HD CAP 4-40 X .250	59
-	4	4	-	2-21000-6	SCR, SKT HD CAP 8-32 X .375	57
-	2	2	-	21018-4	NUT, HEX, REG 4-40	54
-	2	2	-	21022-2	NUT, LOCK, HEX, TORQUE, 8-32	53
-	2	2	-	2-21006-6	SCR, SET, CUP POINT 4-40 X .625	52
-	1	1	-	1633570-1	SUB ASSY, APPLICATOR FRAME	46
-	1	1	-	690191-1	PLUG, NYLON	45
-	1	1	-	2-819307-3	RAM, SIDE FEED	44
-	1	1	-	690125-1	SHIM SUB-ASSY	43
-	1	1	-	1-690124-2	WASHER, RAM (.165)	42
-	1	1	-	7-21002-9	SCR, BTN SKT HD CAP 5/16-24 X 1.00	41
-	1	1	-	23241-6	BALL, STEEL	40
-	1	1	-	690170-1	SPRING, COMPRESSION	39
-	1	1	-	690142-5	DISC, INSULATION	38
-	1	1	-	354777-1	WIRE DISC, ASSEMBLY	37
-	1	1	-	22480-5	SPRING, COMPRESSION	36
-	1	1	-	690212-1	POST, RAM	35
-	4	4	-	21024-5	WASHER, SPRG LOCK, REG NO 10	34
-	4	4	-	21024-4	WASHER, SPRG LOCK, REG NO 8	32
-	2	2	-	4-21000-0	SCR, SKT HD CAP 10-32 X 1.250	31
-	2	2	-	2-21002-3	SCR, BTN SKT HD CAP 8-32 X .625	29
-	1	1	-	690455-9	STRIPPER, FRONT CASTING	27
-	2	2	-	22354-8	STUD, THREADED	25
-	1	1	-	2-458803-1	PLATE, STRIP GUIDE, SLOTTED	24
-	2	2	-	1-22280-8	SPRING, COMPRESSION	22
-	1	1	-	464451-1	ARM, STOCK DRAG	21
-	1	1	-	464452-8	DRAG, STOCK	20
-	2	2	-	454204-4	GUIDE, LOWER STRIP	19
-	4	4	-	3-21002-3	SCR, BTN SKT HD CAP 1/4-20 X .500	17
-	1	1	-	683875-1	PLATE, DRAG LOCATOR	15
-	1	1	-	1-690451-9	SPACER, STRIPPER	13
-	1	1	-	1633612-1	ANVIL, INSULATION	12
-	1	1	-	1633558-2	REAR SHEAR PLATE	11
-	2	2	-	2-240645-9	SPACER, SHEAR PLATE	10
-	1	1	-	1633342-3	ANVIL, WIRE	8
-	1	1	-	2-455888-9	SPACER, CRIMPER	7
-	1	1	-	1633567-2	BLADE, SHEAR	5
-	1	1	-	238009-1	BLOCK, FL CRIMPER SPACER	4
-	1	1	-	1-1633511-7	CRIMPER, INSULATION F	3
-	1	1	-	1-455888-3	SPACER, CRIMPER	2
-	1	1	-	1-1633588-7	CRIMPER, WIRE	1

ITEM NO	U/M	PART NO	DESCRIPTION
-77	-2	-1	U/M PART NO DESCRIPTION ITEM NO