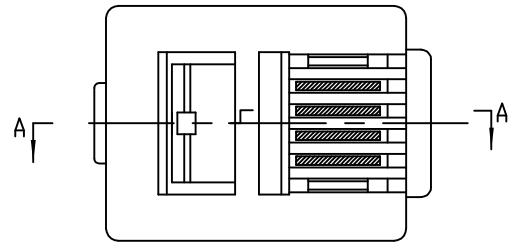
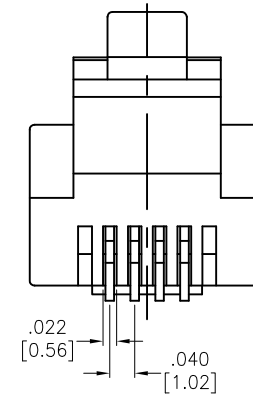
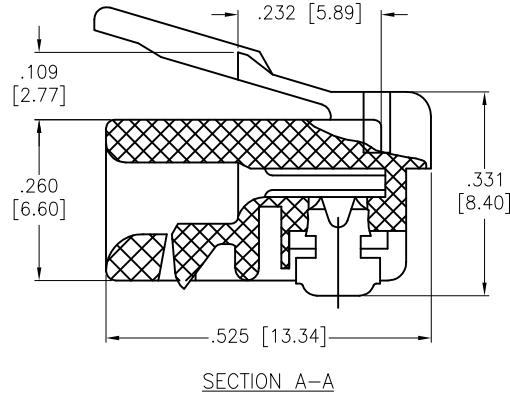
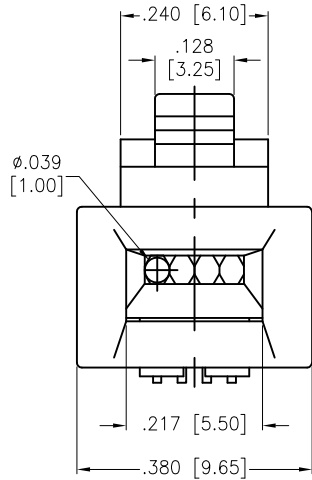


APPROVED: \_\_\_\_\_  
 DATE: \_\_\_\_\_ TITLE: \_\_\_\_\_

Rev	AWO #	Description	Date	Appr
-		RELEASED	12/1/04	
A		REDRAWN	11/27/13	AY/SC
B		UPDATED DRAWING	3/23/17	HR/NC



"X"	PLATING
X	Gold flash
U	15 µin
W	30 µin
G	50 µin

**SPECIFICATIONS:**

Material:  
 Insulator: Polycarbonate, rated UL 94V-0  
 Insulator color: Clear  
 Contacts: Copper Alloy  
 Plating:  
 Gold over Nickel underplate on contact area  
 Electrical:  
 Insulation resistance: 1,000 Mohms min  
 Dielectric withstanding voltage: 1,000 VAC for 1 minute  
 Environmental:  
 Lead free, RoHS compliant



UNLESS OTHERWISE SPECIFIED ALL DIMENSIONS ARE INCHES [MM] TOLERANCES: EXCEPT AS NOTED INCHES HOLES .X ± .10 Ø.X ± .10 .XX ± .020 Ø.XX ± .015 .XXX ± .015 Ø.XXX ± .010		<b>ADAM TECH</b> 909 Rahway Avenue, Union, NJ 07083 Phone: 908-687-5000 Fax: 908-687-5710	
APPROVALS DRAWN SS CHECKED APPROVED		DATE 12/1/04	
TITLE MODULAR TELEPHONE PLUG, 6P4C STANDARD OVAL WIRE TYPE		SIZE X	PART NO. MTP-64-X
REF: S00005C		SCALE: NTS	REV. B SHEET 1 OF 1

6

5

4

3

2

1

D

D

C

C

B

B

A

A

6

5

4

3

2

1