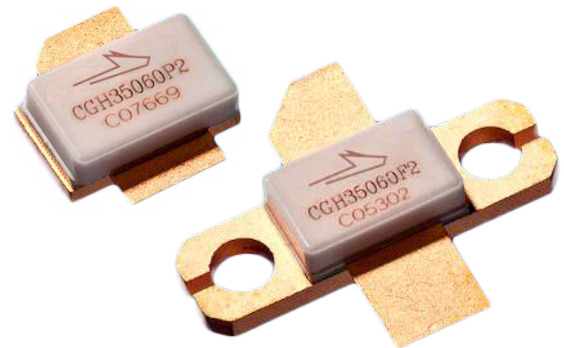


CGH35060F2/P2

60 W, 3.1 - 3.5 GHz, 28 V, GaN HEMT



Description

WolfSpeed's CGH35060F2/P2 is a gallium nitride (GaN) high electron mobility transistor (HEMT) designed specifically for high efficiency, high gain and wide bandwidth capabilities, which makes the CGH35060F2/P2 ideal for 3.1 - 3.5 GHz S-band pulsed amplifier applications. The transistor is supplied in a ceramic/metal flange and pill package.

Package Types: 440193 & 440206
PNs: CGH35060F2 & CGH35060P2

Typical Performance Over 3.1-3.5 GHz ($T_c = 25^\circ\text{C}$) of Demonstration Amplifier

Parameter	3.1 GHz	3.3 GHz	3.5 GHz	Units
Small Signal Gain	12.0	13.2	11.5	dB
P_{OUT} @ $P_{IN} = 36.5$ dBm	47.0	47.6	46.7	dBm
Gain @ $P_{IN} = 36.5$ dBm	10.4	11.06	10.1	dB
Drain Efficiency @ $P_{IN} = 36.5$ dBm	55.0	62.0	62.0	%
Input Return Loss	-7.3	-17.0	-4.3	dB

Note:

Measured in the CGH35060F2-AMP amplifier circuit, under 100 μ s Pulse Width, 20% Duty Cycle and 28 V.

Features

- 3.1 - 3.5 GHz Operation
- 60 W Peak Power Capability
- 12 dB Small Signal Gain
- 60% Drain Efficiency

 Large Signal Models Available for ADS and MWO





Absolute Maximum Ratings (not simultaneous) at 25°C Case Temperature

Parameter	Symbol	Rating	Units	Conditions
Drain-Source Voltage	V_{DS}	120	V	25°C
Gate-to-Source Voltage	V_{GS}	-10, +2		
Storage Temperature	T_{STG}	-55, +150	°C	
Operating Junction Temperature	T_J	225		
Maximum Forward Gate Current	I_{GMAX}	14.4	mA	25°C
Maximum Drain Current ¹	I_{DMAX}	6	A	
Soldering Temperature ²	T_S	245	°C	
Screw Torque	τ	40	in-oz	
Thermal Resistance, Junction to Case, Pulsed ³	$R_{\theta JC}$	1.67	°C/W	85°C, Pulse Width = 300%, Duty Cycle = 10%
Case Operating Temperature ³	T_C	-40, +150	°C	

Notes:

¹ Current limit for long term, reliable operation

² Refer to the Application Note on soldering at wolfspeed.com/rf/document-library

³ Measured for the CGH35060F2 at $P_{DISS} = 57.6$ W.

Electrical Characteristics ($T_C = 25^\circ\text{C}$)

Characteristics	Symbol	Min.	Typ.	Max.	Units	Conditions
DC Characteristics¹						
Gate Threshold Voltage	$V_{GS(th)}$	-3.8	-3.0	-2.3	V_{DC}	$V_{DS} = 10$ V, $I_D = 14.4$ mA
Gate Quiescent Voltage	$V_{GS(Q)}$	—	-2.7	—		$V_{DS} = 28$ V, $I_D = 200$ mA
Saturated Drain Current	I_{DS}	10.1	14.0	—	A	$V_{DS} = 6.0$ V, $V_{GS} = 2$ V
Drain-Source Breakdown Voltage	V_{BR}	84	—	—	V_{DC}	$V_{GS} = -8$ V, $I_D = 14.4$ mA
RF Characteristics^{2,3} ($T_C = 25^\circ\text{C}$, $F_0 = 3.3$ GHz unless otherwise noted)						
Small Signal Gain	G_{SS}	11.0	13.0	—	dB	$V_{DD} = 28$ V, $I_{DQ} = 200$ mA
Drain Efficiency ⁴	η	40	62	—	%	$V_{DD} = 28$ V, $I_{DQ} = 200$ mA, $P_{IN} = 36.5$ W
Power Output ⁴	P_{OUT}	45.6	47.6	—	dBm	
Output Mismatch Stress	VSWR	—	—	10:1	Ψ	No damage at all phase angles, $V_{DD} = 28$ V, $I_{DQ} = 200$ mA, $P_{OUT} = 60$ W Pulse
Dynamic Characteristics						
Input Capacitance	C_{GS}	—	19.0	—	pF	$V_{DS} = 28$ V, $V_{GS} = -8$ V, $f = 1$ MHz
Output Capacitance	C_{DS}	—	5.9	—		
Feedback Capacitance	C_{GD}	—	0.8	—		

Notes:

¹ Measured on wafer prior to packaging.

² Measured in the CGH35060F2-AMP test fixture

³ 100 μ s Pulse Width at 20% Duty Cycle

⁴ Drain Efficiency = P_{OUT} / P_{DC}



Typical Performance

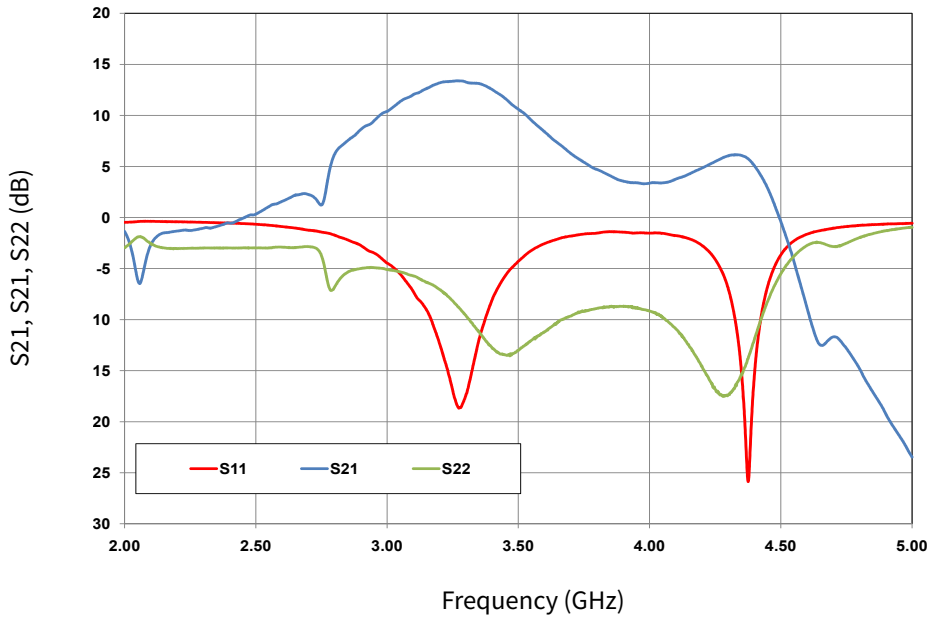


Figure 1. Small Signal Gain and Return Losses vs Frequency of the CGH35060F2 and CGH35060P2
 $V_{DD} = 28\text{ V}$, $I_{DQ} = 200\text{ mA}$

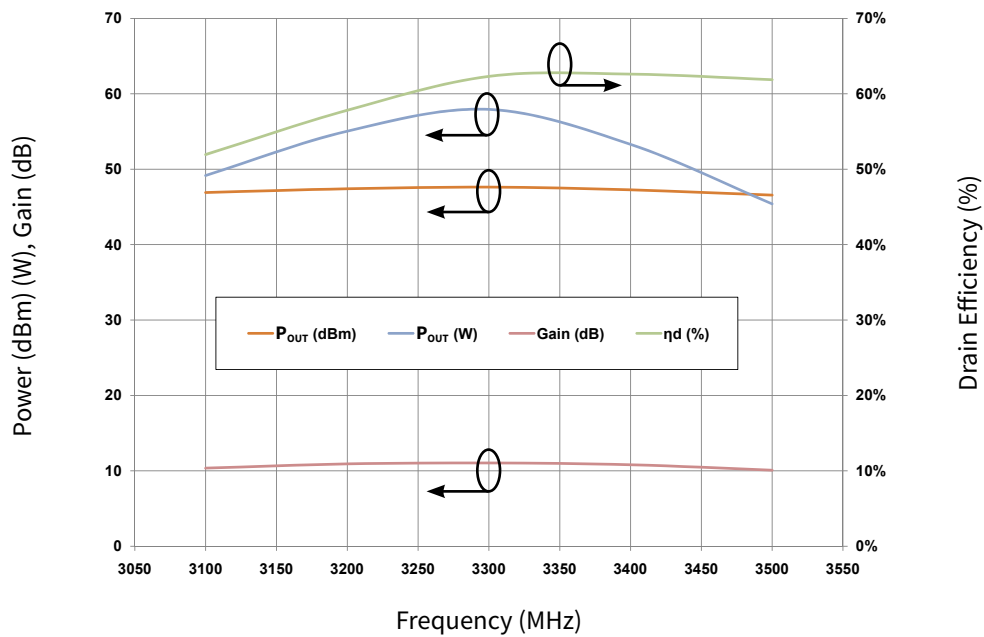
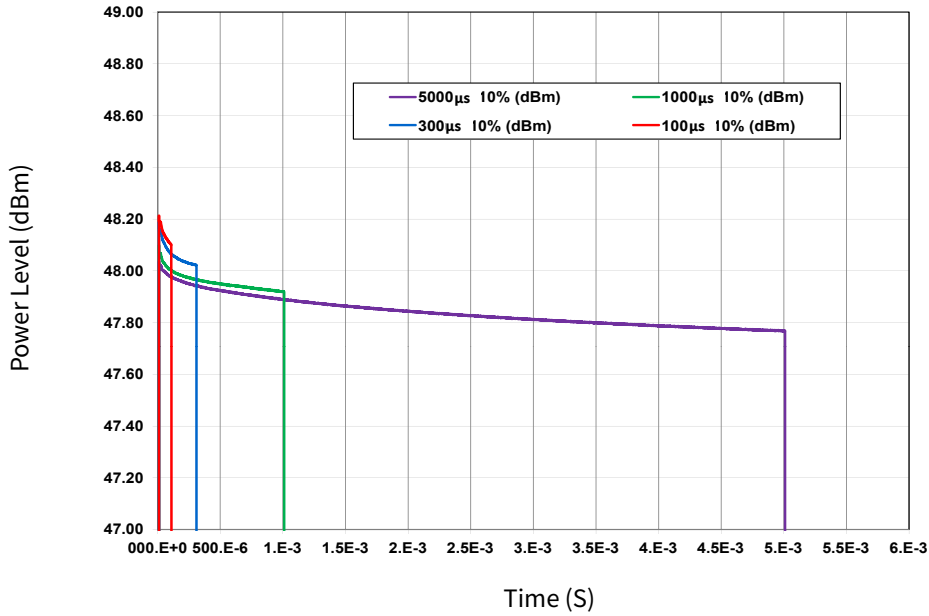


Figure 2. Output Power, Gain and Drain Efficiency vs Frequency of the CGH35060F2 and CGH35060P2
 $V_{DD} = 28\text{ V}$, $I_{DQ} = 200\text{ mA}$, Pulse Width = 100 μ sec, Duty Cycle = 20%



Typical Pulse Droop Performance



Typical Performance

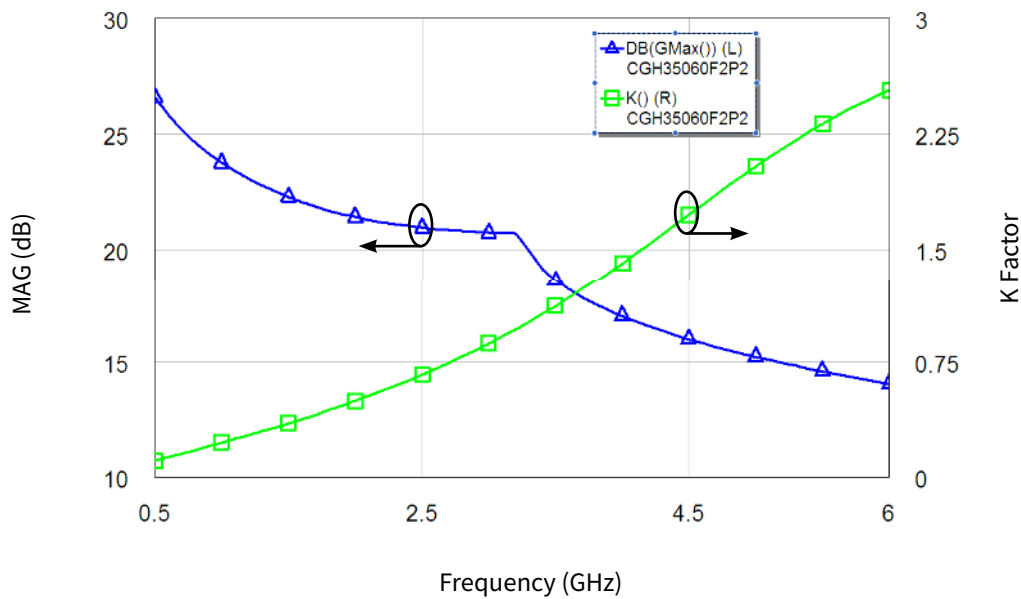
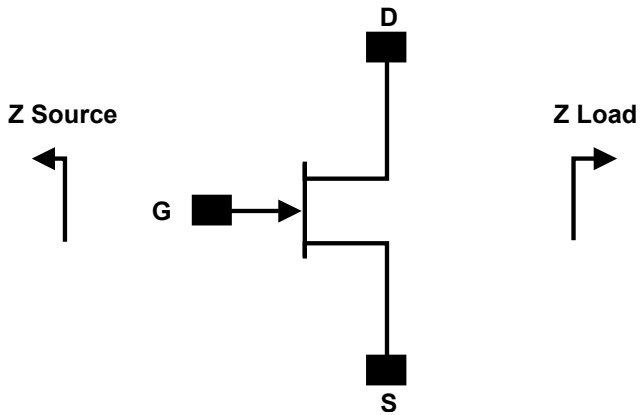


Figure 3. Simulated Maximum Available Gain and K Factor of the CGH35060F2 and CGH35060P2
 $V_{DD} = 28\text{ V}$, $I_{DQ} = 200\text{ mA}$



Source and Load Impedances



Frequency (MHz)	Z Source	Z Load
3100	3.6 – j13.5	8.0 – j8.5
3200	3.6 – j12.8	7.1 – j7.7
3300	3.5 – j12.1	6.5 – j6.8
3400	3.5 – j11.4	6.0 – j5.9
3500	3.3 – j10.7	5.6 – j5.1

Notes:

¹ $V_{DD} = 28V$, $I_{DQ} = 200mA$ in the 440193 package

² Impedances are extracted from the CGH35060F2-AMP demonstration amplifier and are not source and load pull data derived from the transistor

Electrostatic Discharge (ESD) Classifications

Parameter	Symbol	Class	Classification Level	Test Methodology
Human Body Model	HBM	TBD	ANSI/ESDA/JEDEC JS-001 Table 3	JEDEC JESD22 A114-D
Charge Device Model	CDM	TBD	ANSI/ESDA/JEDEC JS-001 Table 3	JEDEC JESD22 C101-C

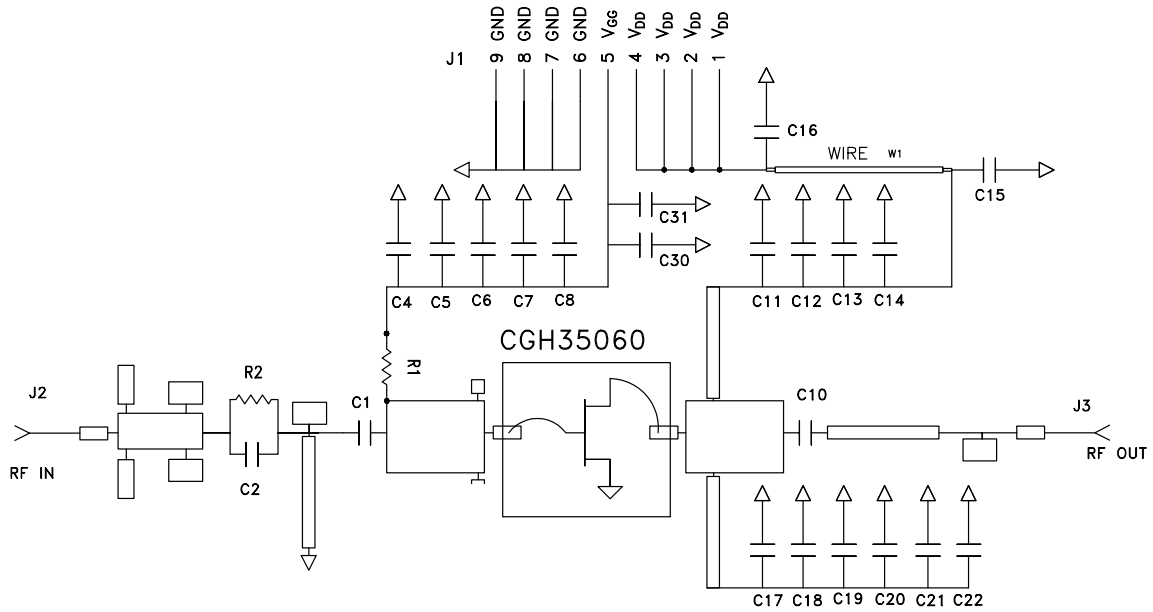


CGH35060F2-AMP Demonstration Amplifier Circuit Bill of Materials

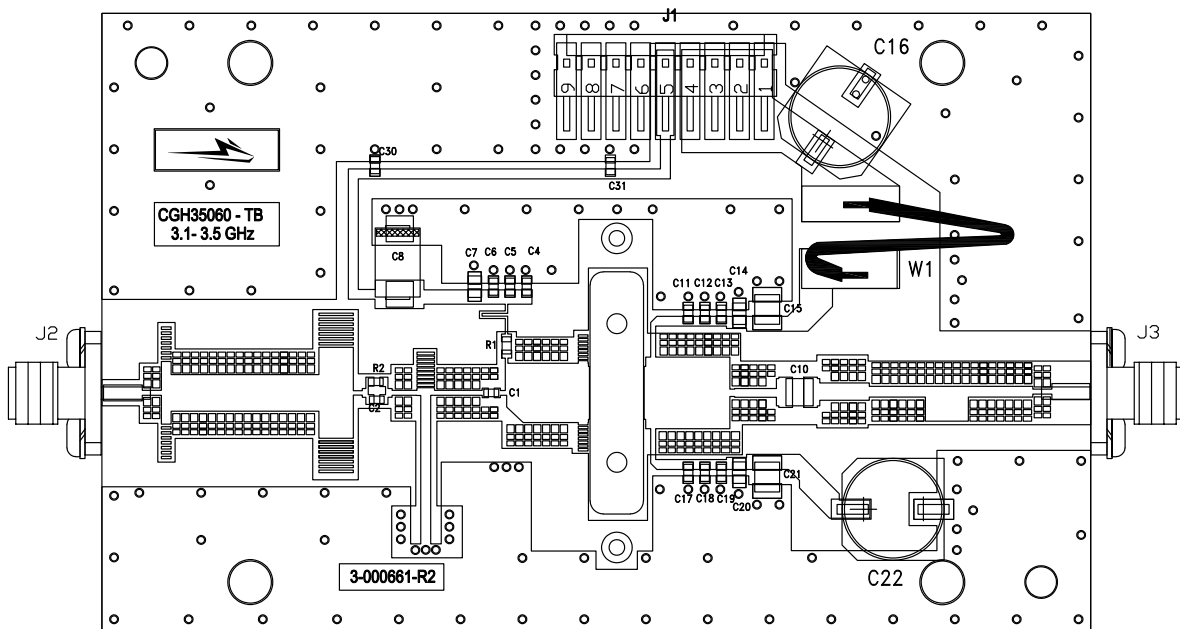
Designator	Description	Qty
R1	RES, 1/16 W, 0603, 1%, 5.1 OHMS	1
R2	RES, 1/16 W, 0603, 1%, 100 OHMS	1
C6, C13, C19	CAP, 470pF, +/-5%, 100 V, 0603	3
C16, C22	CAP, 33μF 100 V ELECT FK SMD	2
C15, C21	CAP, CER 1.0μF, 100 V, 10%, X7R 1210	2
C8	CAP, 10μF 16V SMT TANTALUM	1
C10	CAP, 20.0pF, +/-5%, 0603, ATC 100B	1
C1	CAP, 5.1pF, +/-5%, 0603, ATC 600S	1
C2	CAP, 3.0pF, +/-0.1pF, 0603, ATC 600S	1
C5, C12, C18, C30, C31	CAP, 4.7pF, 5%pF, 0603, ATC	5
C4, C11, C17	CAP, 7.5pF, 0.1pF, 0603, ATC	3
C7, C14, C20	CAP CER 33000pF, 0805, 100V, X7R	3
	PCB	1
	BASEPLATE	1
J2, J3	CONN, SMA, PANEL MOUNT JACK	2
J1	HEADER RT>PLZ .1CEN LK 9POS	1
	2-56 SOC HD SCREW 1/4 SS	4
	#2 SPLIT LOCKWASHER SS	4
W1	WIRE, BLACK, 22 AWG ~ 2.0"	1
Q1	CGH35060F2	1



CGH35060F2-AMP Demonstration Amplifier Circuit Schematic



CGH35060F2-AMP Demonstration Amplifier Circuit Outline





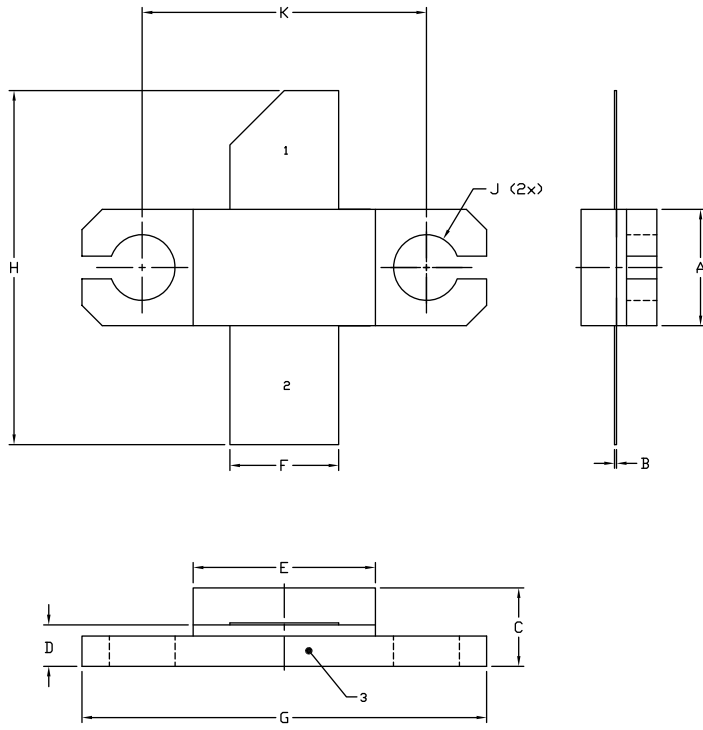
**Typical Package S-Parameters for CGH35060F2/P2,
(Small Signal, $V_{DS} = 28$ V, $I_{DQ} = 200$ mA, angle in degrees)**

Frequency	Mag S11	Ang S11	Mag S21	Ang S21	Mag S12	Ang S12	Mag S22	Ang S22
500 MHz	0.927	-170.09	7.16	79.27	0.016	-6.59	0.596	-168.07
600 MHz	0.928	-172.55	5.95	75.10	0.016	-9.91	0.605	-168.34
700 MHz	0.929	-174.46	5.08	71.25	0.015	-12.90	0.615	-168.44
800 MHz	0.930	-176.04	4.42	67.64	0.015	-15.66	0.626	-168.49
900 MHz	0.931	-177.39	3.91	64.20	0.015	-18.24	0.637	-168.54
1.0 GHz	0.932	-178.59	3.50	60.90	0.015	-20.65	0.648	-168.63
1.1 GHz	0.933	-179.70	3.16	57.72	0.015	-22.94	0.659	-168.78
1.2 GHz	0.935	179.27	2.88	54.66	0.014	-25.10	0.670	-168.99
1.3 GHz	0.936	178.29	2.65	51.70	0.014	-27.14	0.681	-169.25
1.4 GHz	0.937	177.34	2.45	48.83	0.014	-29.08	0.692	-169.58
1.5 GHz	0.938	176.41	2.28	46.04	0.013	-30.91	0.702	-169.96
1.6 GHz	0.939	175.49	2.13	43.33	0.013	-32.65	0.712	-170.40
1.7 GHz	0.940	174.57	2.00	40.70	0.013	-34.29	0.721	-170.87
1.8 GHz	0.941	173.65	1.88	38.13	0.013	-35.85	0.730	-171.39
1.9 GHz	0.942	172.73	1.78	35.62	0.012	-37.32	0.738	-171.94
2.0 GHz	0.943	171.79	1.69	33.16	0.012	-38.70	0.746	-172.53
2.1 GHz	0.943	170.83	1.62	30.76	0.012	-40.01	0.753	-173.14
2.2 GHz	0.944	169.85	1.55	28.40	0.012	-41.25	0.760	-173.78
2.3 GHz	0.944	168.85	1.49	26.07	0.012	-42.41	0.766	-174.44
2.4 GHz	0.944	167.82	1.44	23.78	0.011	-43.51	0.772	-175.12
2.5 GHz	0.945	166.75	1.39	21.52	0.011	-44.55	0.777	-175.82
2.6 GHz	0.944	165.64	1.35	19.27	0.011	-45.52	0.781	-176.54
2.7 GHz	0.944	164.49	1.32	17.03	0.011	-46.44	0.785	-177.27
2.8 GHz	0.944	163.29	1.29	14.80	0.011	-47.31	0.789	-178.03
2.9 GHz	0.943	162.03	1.26	12.57	0.011	-48.13	0.792	-178.80
3.0 GHz	0.943	160.71	1.24	10.34	0.010	-48.92	0.795	-179.59
3.2 GHz	0.941	157.85	1.22	5.80	0.010	-50.38	0.798	178.78
3.4 GHz	0.938	154.62	1.21	1.13	0.010	-51.75	0.800	177.06
3.6 GHz	0.934	150.94	1.21	-3.76	0.010	-53.09	0.800	175.23
3.8 GHz	0.928	146.65	1.24	-8.97	0.010	-54.51	0.798	173.28
4.0 GHz	0.921	141.58	1.28	-14.63	0.011	-56.12	0.794	171.18
4.2 GHz	0.911	135.46	1.35	-20.90	0.011	-58.11	0.787	168.89
4.4 GHz	0.897	127.93	1.45	-28.01	0.012	-60.71	0.777	166.35
4.6 GHz	0.880	118.44	1.57	-36.26	0.012	-64.27	0.764	163.51
4.8 GHz	0.857	106.23	1.73	-46.04	0.014	-69.22	0.746	160.26
5.0 GHz	0.828	90.20	1.93	-57.83	0.015	-76.13	0.723	156.46
5.2 GHz	0.796	69.08	2.15	-72.17	0.017	-85.57	0.692	151.91
5.4 GHz	0.770	42.01	2.35	-89.39	0.018	-97.96	0.649	146.29
5.6 GHz	0.766	10.14	2.48	-109.22	0.019	-113.08	0.590	139.24
5.8 GHz	0.793	-22.34	2.47	-130.55	0.020	-129.85	0.509	130.26
6.0 GHz	0.839	-50.86	2.33	-152.01	0.019	-146.93	0.401	118.41

To download the s-parameters in s2p format, go to the [CGH35060F2/P2 Product Page](#) and click on the documentation tab.



Product Dimensions CGH35060F2 (Package Type — 440193)

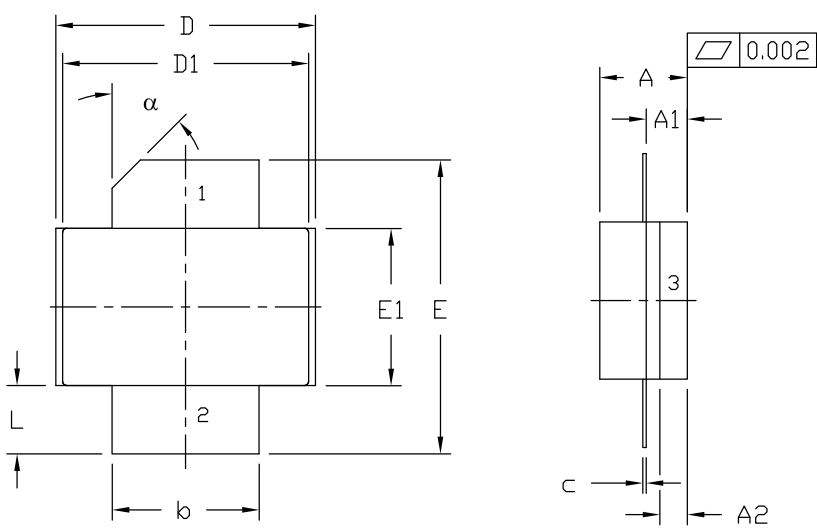


- NOTES:
1. DIMENSIONING AND TOLERANCING PER ANSI Y14.5M, 1982.
 2. CONTROLLING DIMENSION: INCH.
 3. ADHESIVE FROM LID MAY EXTEND A MAXIMUM OF 0.020" BEYOND EDGE OF LID.
 4. LID MAY BE MISALIGNED TO THE BODY OF THE PACKAGE BY A MAXIMUM OF 0.008" IN ANY DIRECTION.
 5. ALL PLATED SURFACES ARE Ni/AU

DIM	INCHES		MILLIMETERS	
	MIN	MAX	MIN	MAX
A	0.225	0.235	5.72	5.97
B	0.004	0.006	0.10	0.15
C	0.145	0.165	3.68	4.19
D	0.077	0.087	1.96	2.21
E	0.355	0.365	9.02	9.27
F	0.210	0.220	5.33	5.59
G	0.795	0.805	20.19	20.45
H	0.670	0.730	17.02	18.54
J	∅ .130		3.30	
k		0.562		14.28

- PIN 1. GATE
 PIN 2. DRAIN
 PIN 3. SOURCE

Product Dimensions CGH35060P2 (Package Type — 440206)



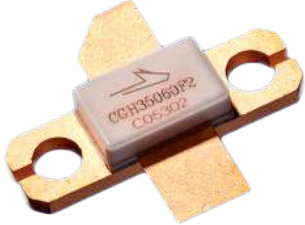
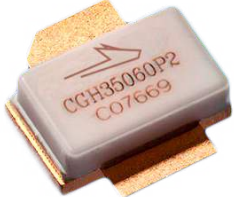
- NOTES:
1. DIMENSIONING AND TOLERANCING PER ANSI Y14.5M - 1994.
 2. CONTROLLING DIMENSION: INCH.
 3. ADHESIVE FROM LID MAY EXTEND A MAXIMUM OF 0.020" BEYOND EDGE OF LID.
 4. LID MAY BE MISALIGNED TO THE BODY OF PACKAGE BY A MAXIMUM OF 0.008" IN ANY DIRECTION.

DIM	INCHES		MILLIMETERS		NOTES
	MIN	MAX	MIN	MAX	
A	0.125	0.145	3.18	3.68	
A1	0.057	0.067	1.45	1.70	
A2	0.035	0.045	0.89	1.14	
b	0.210	0.220	5.33	5.59	2x
c	0.004	0.006	0.10	0.15	2x
D	0.375	0.385	9.53	9.78	
D1	0.355	0.365	9.02	9.27	
E	0.400	0.460	10.16	11.68	
E1	0.225	0.235	5.72	5.97	
L	0.085	0.115	2.16	2.92	2x
α		45° REF		45° REF	

- PIN 1. GATE
 2. DRAIN
 3. SOURCE



Product Ordering Information

Order Number	Description	Unit of Measure	Image
CGH35060F2	GaN HEMT (Flanged)	Each	
CGH35060P2	GaN HEMT (Pill)	Each	
CGH35060F2-AMP	Test board with GaN HEMT installed	Each	

**For more information, please contact:**

4600 Silicon Drive
Durham, NC 27703 USA
Tel: +1.919.313.5300
www.wolfspeed.com/RF

Sales Contact
RFSales@wolfspeed.com

RF Product Marketing Contact
RFMarketing@wolfspeed.com

Notes & Disclaimer

Specifications are subject to change without notice. “Typical” parameters are the average values expected by Wolfspeed in large quantities and are provided for information purposes only. Wolfspeed products are not warranted or authorized for use as critical components in medical, life-saving, or life-sustaining applications, or other applications where a failure would reasonably be expected to cause severe personal injury or death. No responsibility is assumed by Wolfspeed for any infringement of patents or other rights of third parties which may result from use of the information contained herein. No license is granted by implication or otherwise under any patent or patent rights of Wolfspeed.

©2013-2022 Wolfspeed, Inc. All rights reserved. Wolfspeed® and the Wolfstreak logo are registered trademarks and the Wolfspeed logo is a trademark of Wolfspeed, Inc.
PATENT: <https://www.wolfspeed.com/legal/patents>

The information in this document is subject to change without notice.