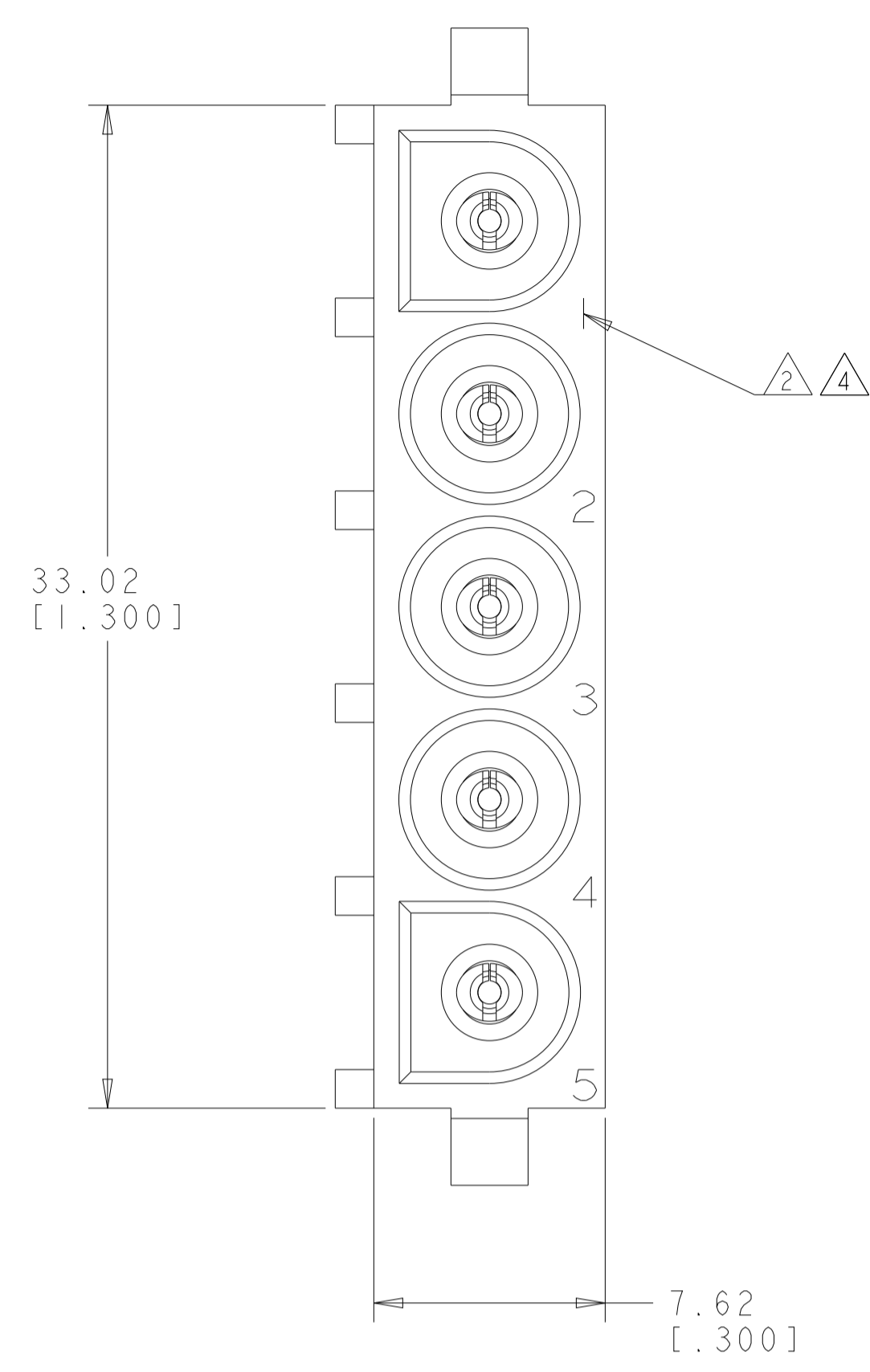
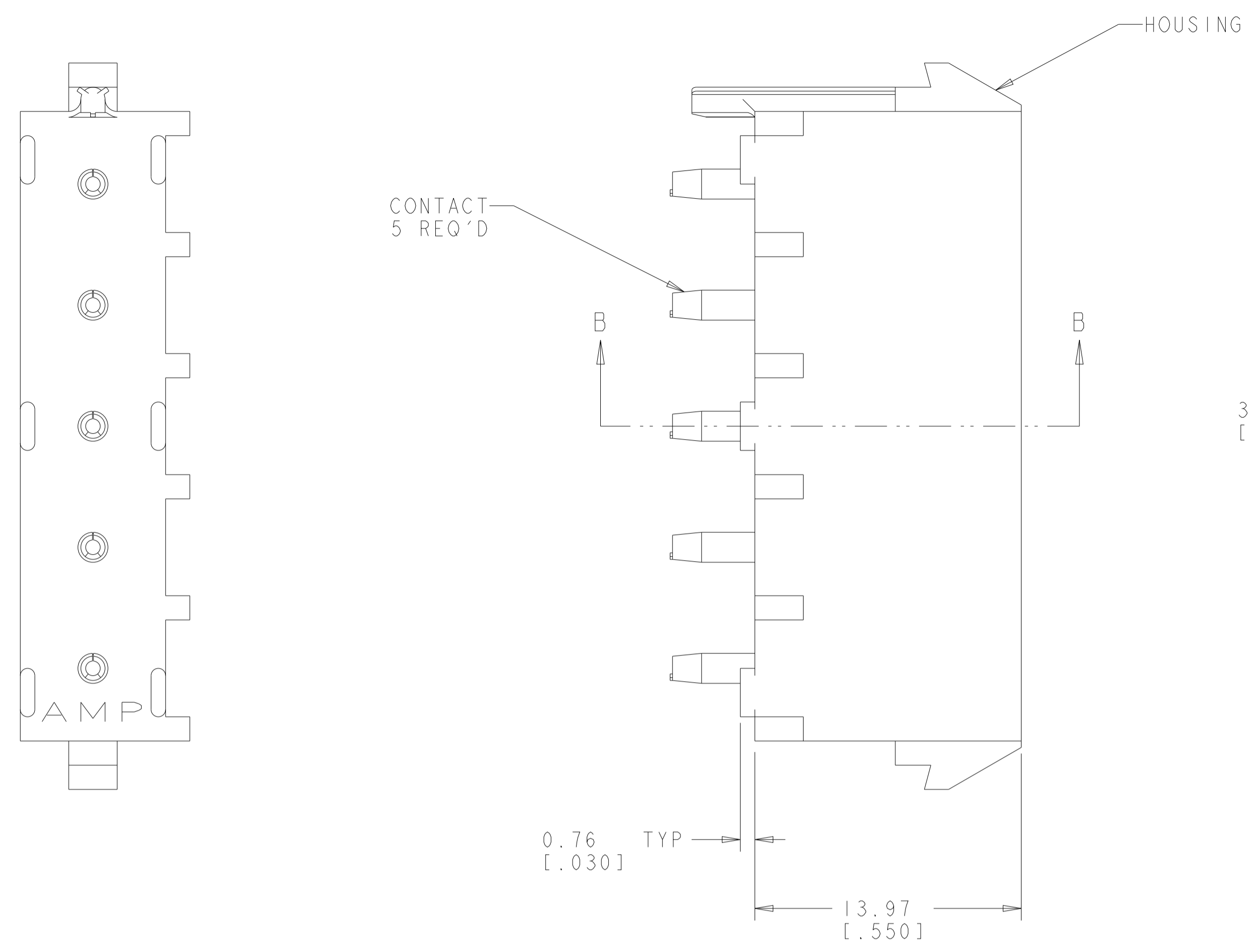
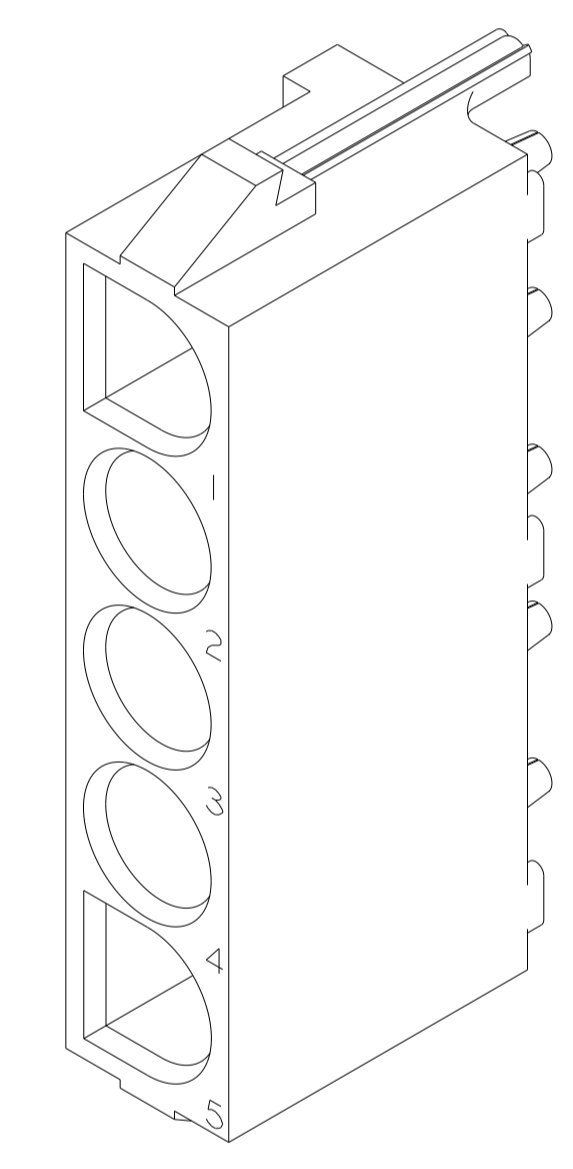


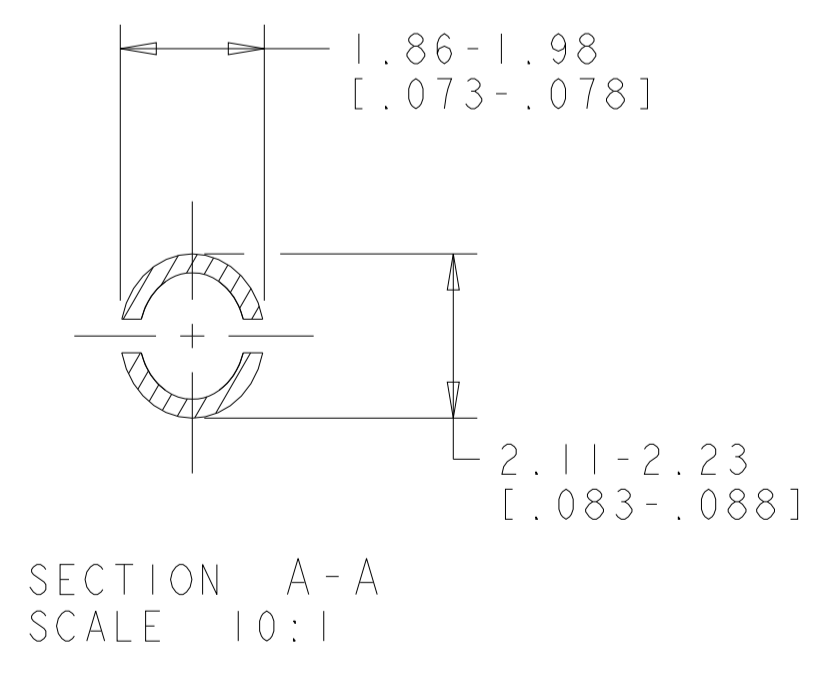
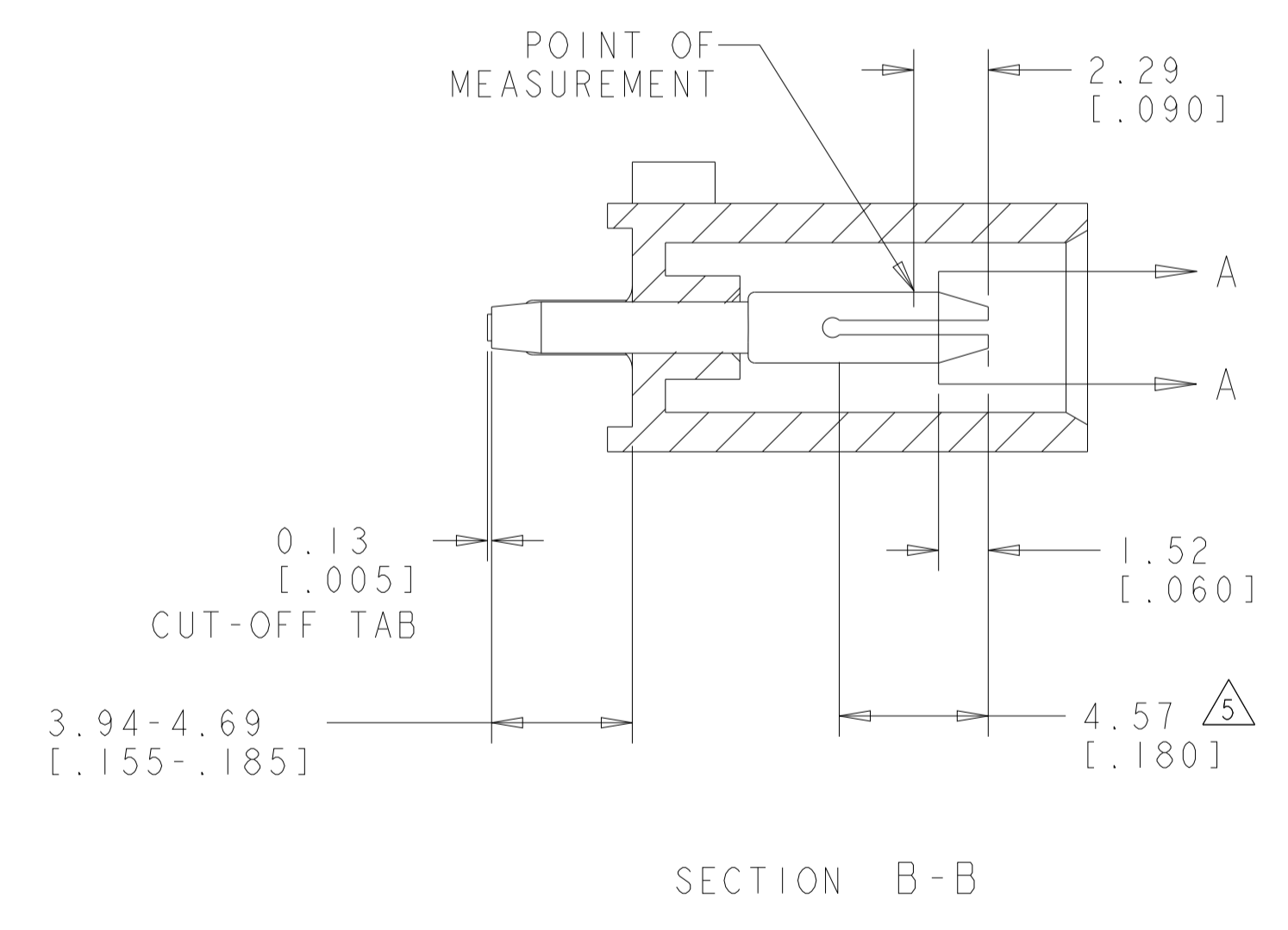
| LOC | DIST | REVISIONS | | | | | |
|-----|------|-----------|-----|---------------------------|-----------|-----|------|
| | | P | LTN | DESCRIPTION | DATE | DWN | APVD |
| CM | 00 | 0 | | REVISED PER OG38-0087-04 | 05MAY04 | KW | SR |
| | | 01 | | REVISED PER ECO-05-001793 | 31MAY05 | KW | SR |
| | | 02 | | REVISED PER ECO-09-025699 | 11DEC09 | KK | AEG |
| | | A | | REVISED PER ECR-21-118133 | 22OCT2021 | SS | VS |



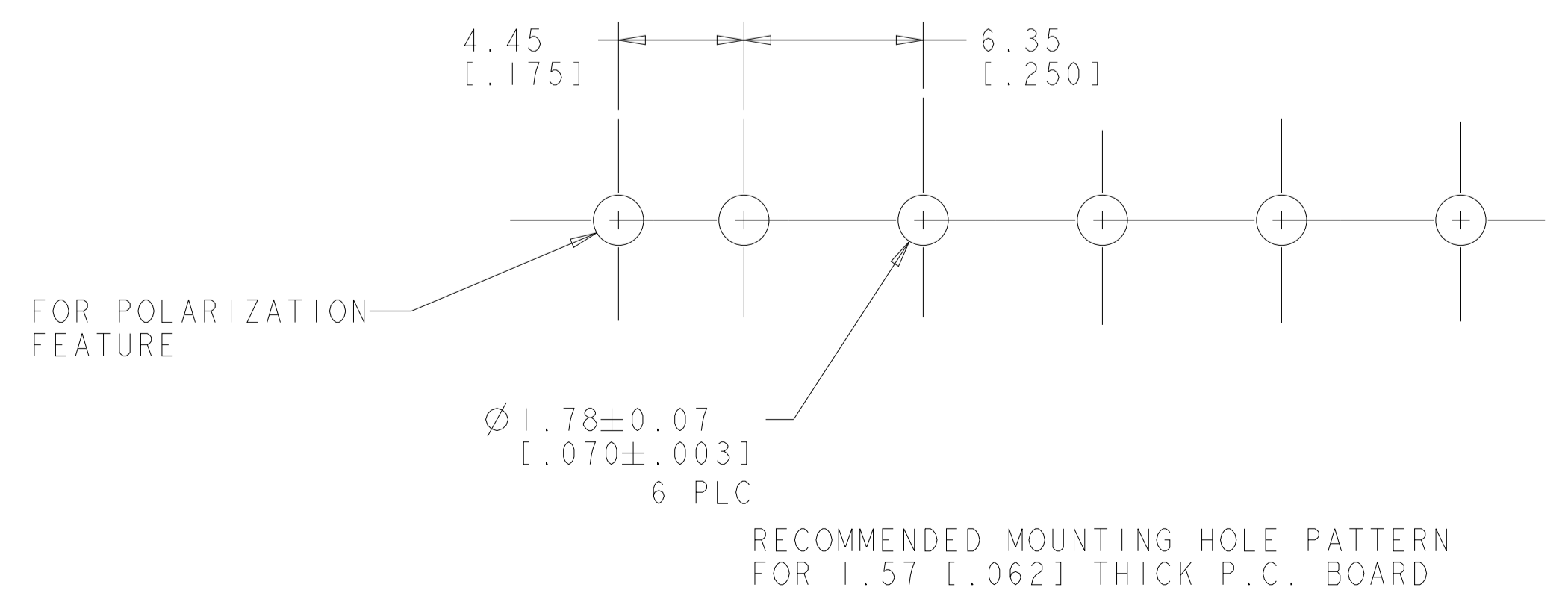
1. PARTS COMPLY TO AMP SOLDERABILITY SPECIFICATION 109-11-3.
2. CIRCUIT IDENTIFICATION CHARACTERS ARE ADJACENT TO THE INDICATED CAVITIES, BUT LOCATION AND ORIENTATION MAY DIFFER FROM PRINT.
3. DIMENSIONS IN BRACKETS ARE IN INCHES.
4. IDENTIFICATION WILL APPEAR AT CIRCUIT NO. 1, OTHERS OPTIONAL.
5. CONTACT IS PLATED OVERALL WITH 0.00127 [.000050] NICKEL, THEN 0.000075 [.000030] GOLD OVER CONTACT LENGTH INDICATED AND MATTE TIN ON SOLDER TAIL END.
6. OBSOLETE PARTS: OBSOLETE CIS STREAMLINING PER D.RENAUD/D.SINISI
7. DIMENSIONS SHOWN REPRESENT PRODUCT IN DRY CONDITION. ADDITIONAL 2% GROWTH DUE TO END USE LOCATION MOISTURE ABSORPTION MAY OCCUR AND SHOULD BE ACCOUNTED FOR.



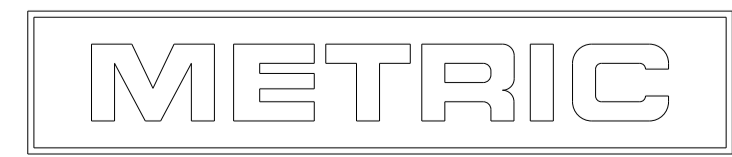
SCALE 4:1



SECTION A-A
SCALE 10:1



| | | | |
|----------|---------------------------------|----------------------------|-------------|
| OBSOLETE | PHOSPOR BRONZE, GOLD | NYLON, UL94V-2, NATURAL | 1586139-2 |
| | PHOSPOR BRONZE, PRE-TIN | NYLON, UL94V-2, NATURAL | 1586139-1 |
| | PIN CONTACT MATERIAL AND FINISH | HOUSING MATERIAL AND COLOR | PART NUMBER |



| | | | |
|--|--|--|---|
| DIMENSIONS: mm [INCHES] TOLERANCES UNLESS OTHERWISE SPECIFIED: 0 PLC ± .013 [.005] 1 PLC ± .013 [.005] 2 PLC ± .013 [.005] 3 PLC ± .013 [.005] 4 PLC ± .013 [.005] ANGLES 40° 30' | | DWN K. WHITAKER 05MAY04 CHK S. RIDGILL 05MAY04 APVD S. RIDGILL 05MAY04 PRODUCT SPEC APPLICATION SPEC WEIGHT CUSTOMER DRAWING | Tyco Electronics Corporation Harrisburg, PA 17105-3608 NAME: PIN HEADER ASSEMBLY, POLARIZED, 5 CIRCUIT, NO DRAIN HOLES, UNIVERSAL MATE-N-LOK™ SIZE: A1 CAGE CODE: 00779 DRAWING NO: 1586139 SHEET 1 OF 1 REV A |
|--|--|--|---|