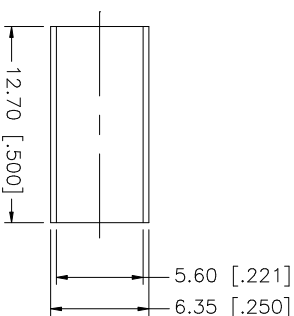
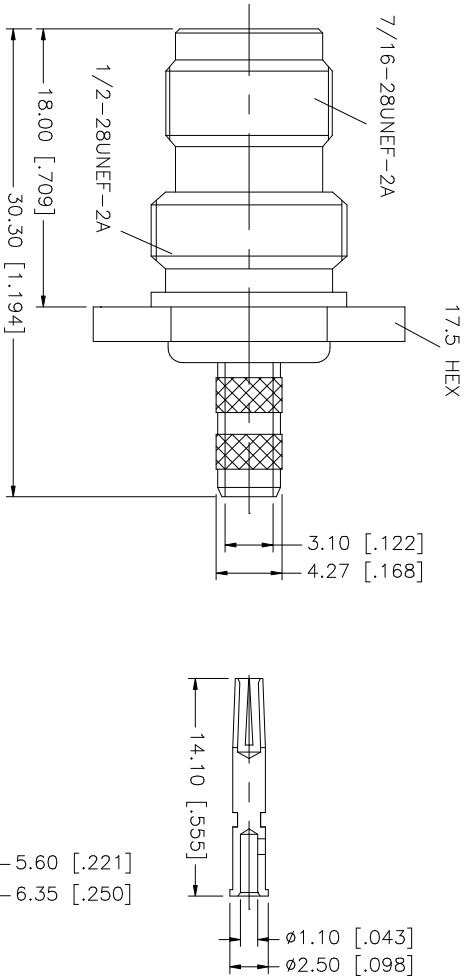
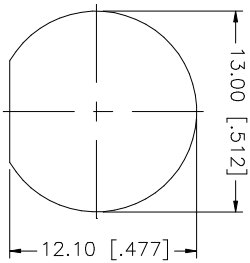
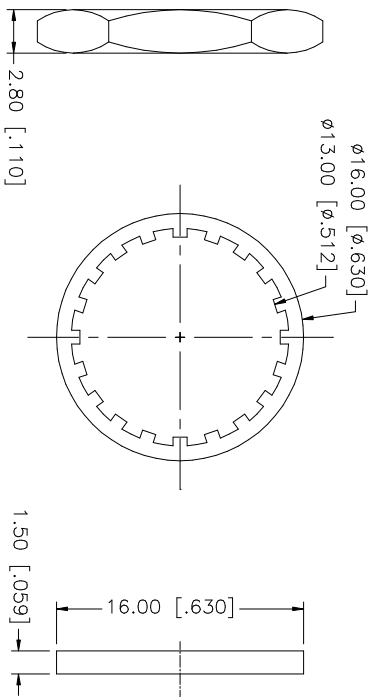
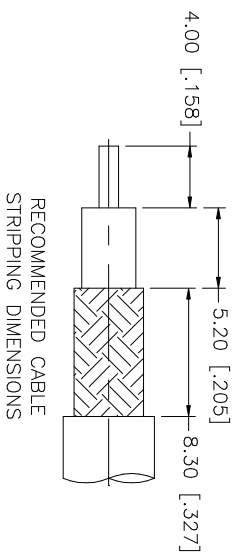


REV.	DATE	DESCRIPTION
NC	05/03/99	INITIAL RELEASE
A	03/20/05	REFORMAT DRAWING
B	11/29/05	MODIFY BARREL AND FERRULE I.D.



NOTE:

1. FERRULE HEX. CRIMP SIZE .213"
2. CONTACT PIN CRIMP SIZE .068"
3. MAX. PANEL THICKNESS= 3.5mm

QTY	DESCRIPTION	MATERIAL	FINISH	DO NOT SCALE DRAWING	CAD FILE	APPROVALS	DATE	PART DESCRIPTION	DWG. NO.	REV.	SIZE	SCALE
1	UNLESS OTHERWISE SPECIFIED, DIMENSIONS ARE IN MILLIMETERS. DIMENSIONS IN INCHES ARE IN PARENTHESES AND FOR CUSTOMER REFERENCE ONLY. TOLERANCES FOR MILLIMETERS ARE: 0.5 - 8mm ± 0.20mm 8 - 30mm ± 0.40mm 30 - 120mm ± 0.50mm UNLESS OTHERWISE SPECIFIED, TOLERANCES FOR INCHES ARE: .020 - .315 = ± 0.007" .315 - 1.180 = ± 0.015" 1.180 - 4.724 = ± 0.020"				C:/122/122363.DWG	G.R.S.	11/29/05	TNC BULKHEAD CRIMP JACK (FOR RG-142/U, 223/U, 400/U CABLE)	122363.DWG	B	A	NA
1	INSULATOR	TEFLON	NATURAL									
1	BODY	BRASS	NICKEL									
1	CONTACT PIN	PHOS. BRONZE	GOLD									
1	LOCKWASHER	BRASS	NICKEL									
1	HEX NUT	BRASS	NICKEL									
1	GASKET	SILICONE	RUBBER									
1	FERRULE	COPPER	NICKEL									
8	DESCRIPTION											

**Amphenol Connex**