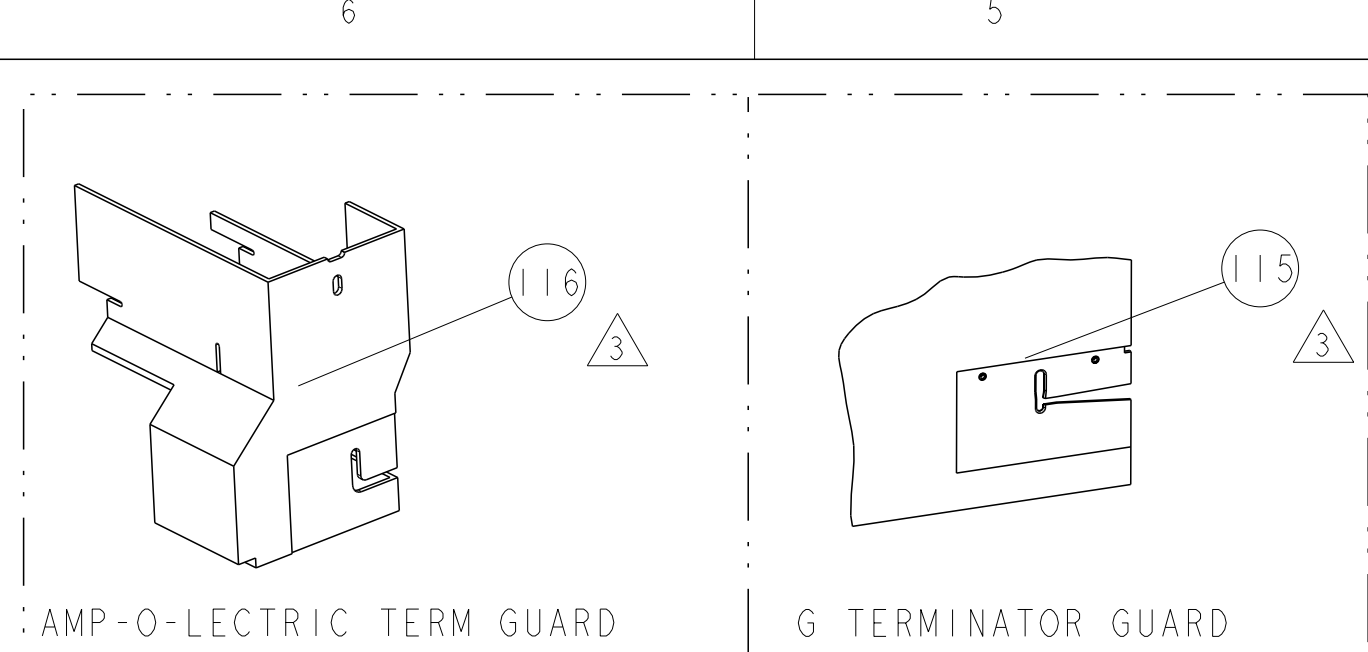


PART NUMBER	REV	FIRST USED	POWER UNIT	FEED TYPE	DESCRIPTION
1852385-1	C	122500-1	LEADMAKER	POST FEED	CUTS CARRIER
1852385-2	C	565435-5	BENCH MODEL K	PRE FEED	CUTS CARRIER
1852385-3	C	354500-1	BENCH MODEL G	PRE FEED	CUTS CARRIER
1852385-6	C	122500-1	LEADMAKER	POST FEED	CONTINUOUS CARRIER
7-1852385-7	A	-	-	-	SPARE PARTS

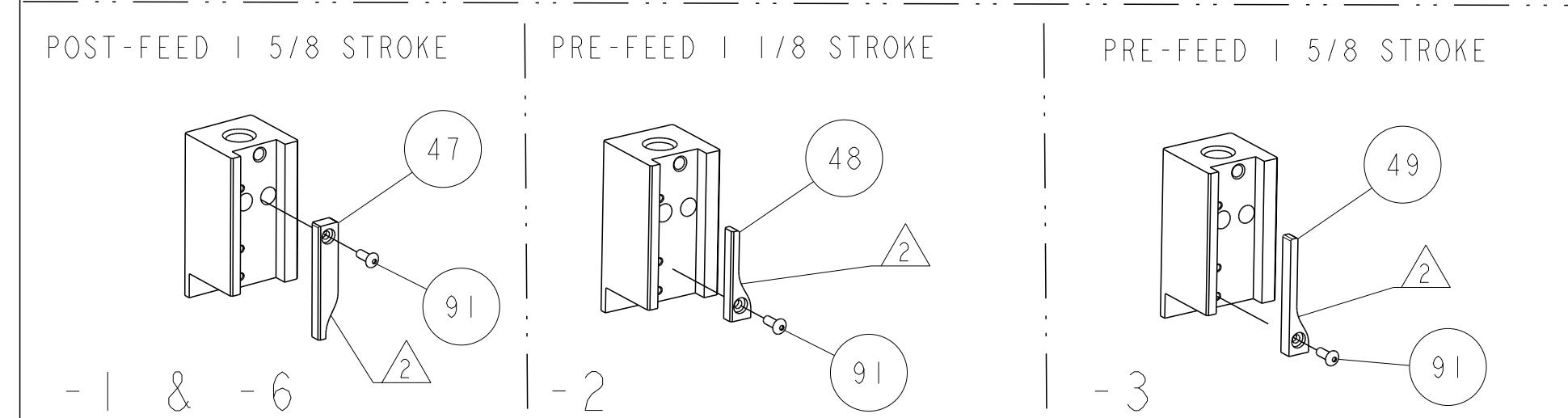
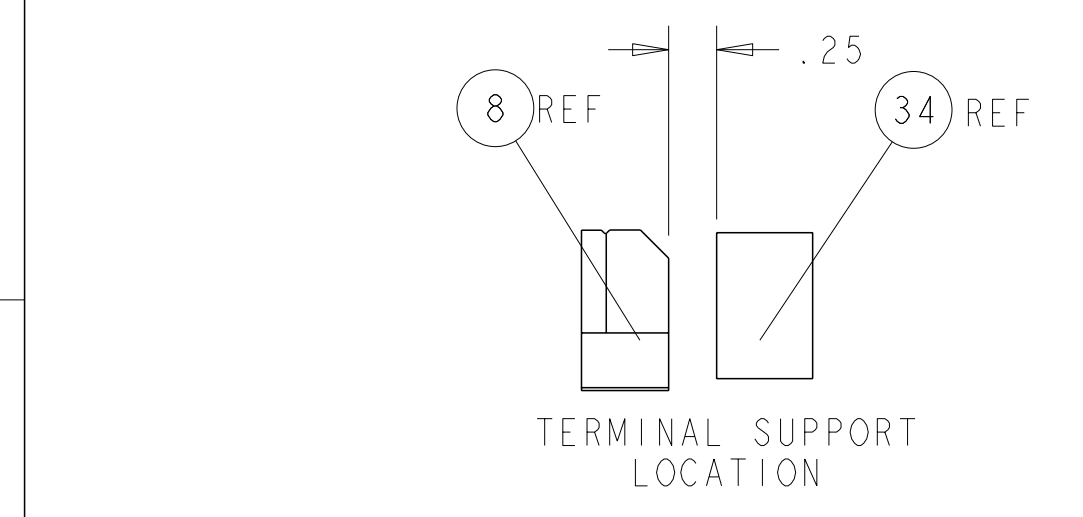
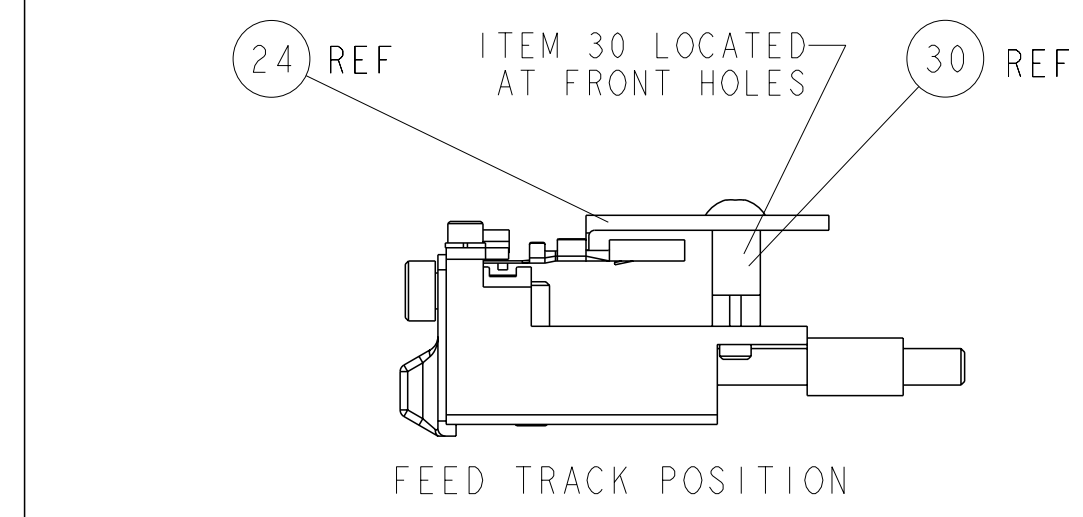
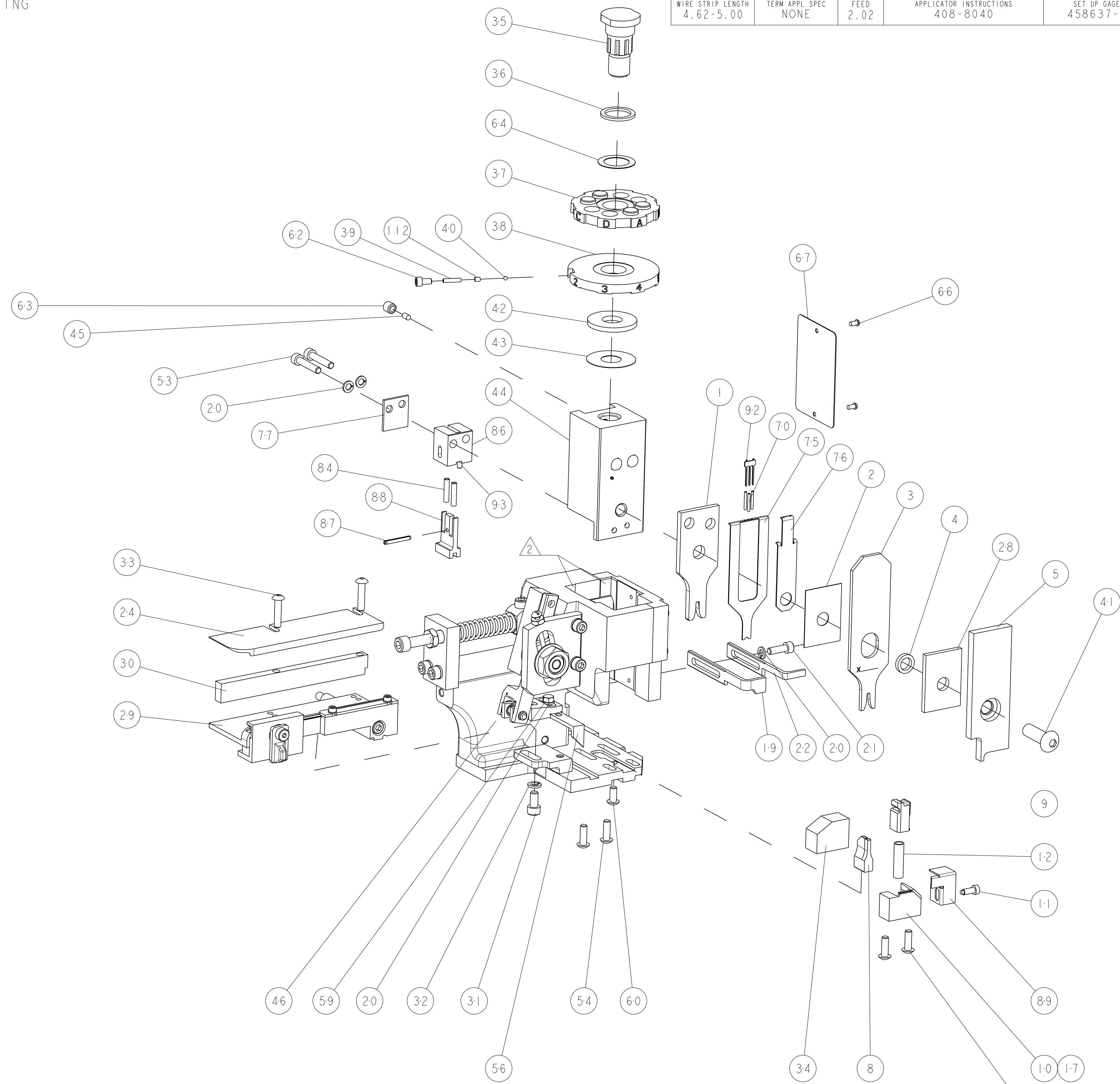
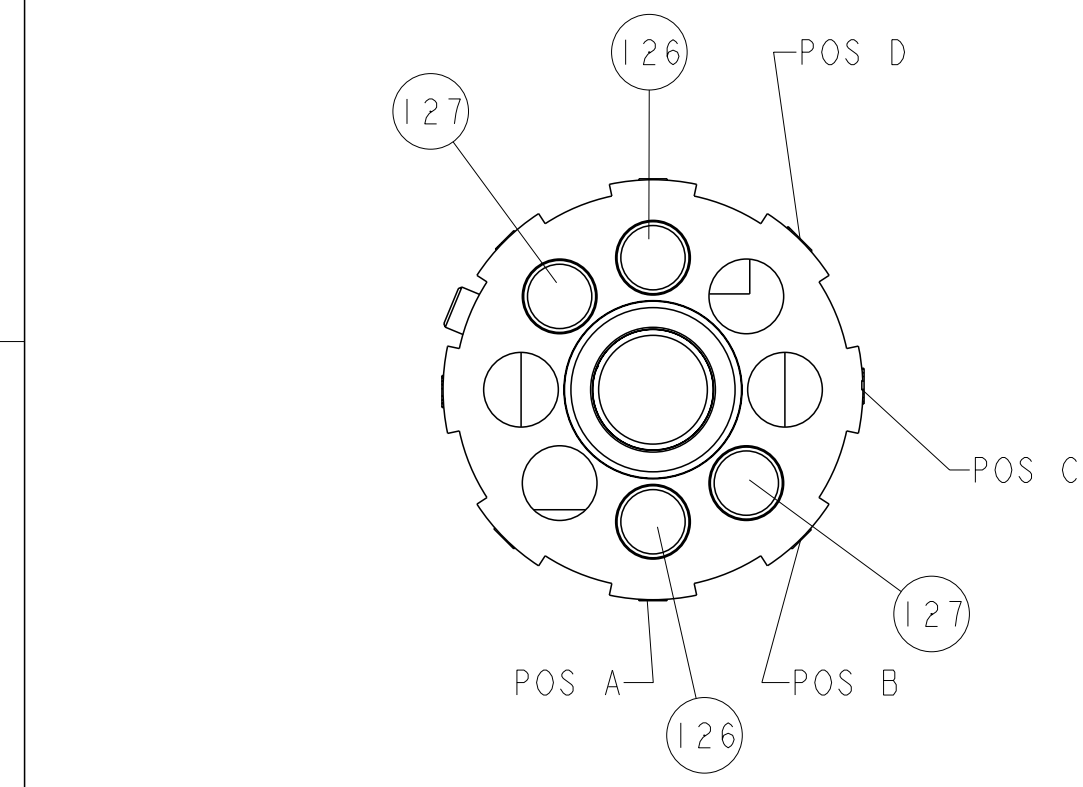


TEC PN		MANF PN		MOLEX TERMINAL - MOLEX CRIMP SPECS	
1949221	33012-3002				
		PAD LTR		CRIMP HEIGHT	WIRE SIZE
		A		1.30±0.05mm[.051±.002]	18AWG
		B		1.25±0.05mm[.049±.002]	20AWG
		C		-	-
		D		-	-
		CRIMP		SIZE	TYPE
		WIRE		2.08mm[.082]	F
		INSUL		2.29mm[.090]	O
		FEED		2.59 max	
WIRE STRIP LENGTH	TERM APPL SPEC	FEED	APPLICATOR INSTRUCTIONS	SET UP GAGE	
4.62-5.00	NONE	2.02	408-8040	458637-1	

LOC	DIST	REV	DATE	BY	APPD
A	66				

REV	DATE	DESCRIPTION	ITEM NO
- 2	2 2 2 2	3-354779-2 PIN, WIRE DISC, .3150	127
- 2	2 2 2 2	2-354779-9 PIN, WIRE DISC, .3135	126
- -	REF - - -	455749-1 GUARD WINDOW	116
- -	REF - - -	679532-1 INSERT, GUARD	115
- 1	1 1 1 1	690603-1 SPRING ASSIST AMP-O-MATOR APPLICATOR	112
- 1	1 1 1 1	2-21008-1 SCR, SET, SELF LOCKING 1/4-20 X .250	93
- 1	1 1 1 1	1424350-1 HOLDER, PIN, WIRED	92
- 1	1 1 1 1	1-21002-7 SCR, BTN SKT HD CAP 6-32 X .375	91
- 1	1 1 1 1	318563-1 GUARD, FRONT CHIP	89
- 1	1 1 1 1	8-1338389-5 HOLD DOWN, TERMINAL	88
- 1	1 1 1 1	4-21028-0 PIN, SLOTTED SPRING .094 X .750	87
- 1	1 1 1 1	455052-1 CARRIER, HOLD DOWN	86
- 2	2 2 2 2	22278-9 SPRING, COMPRESSION	84
- 1	1 1 1 1	455053-1 PLATE, RETAINING	77
- 1	1 1 1 1	1490524-1 DEPRESSOR, SPACER	76
- 1	1 1 1 1	1490525-3 DEPRESSOR, WIRE	75
- 1	1 1 1 1	4088040 SF APPL INST 408-8040	72
- 1	1 1 1 1	217238-1 GENERAL INSTRUCTION PKG	71
- 3	3 3 3 3	2-23147-2 SPRING, COMPRESSION	70
- 1	1 1 1 1	461264-1 PLATE, IDENTIFICATION	67
- 2	2 2 2 2	21017-2 SCREW, DRIVE	66
- 1	1 1 1 1	986950-1 WASHER, FLAT PRECISION	64
- 1	1 1 1 1	21009-2 SCR, SET, SELF LOCKING 1/4-20 X .250	63
- 1	1 1 1 1	23030-1 SCR, SKT HD CAP 6-32 X .25	62
- 1	1 1 1 1	22733-8 SCR, BHSC, SELF-LOCKING, 8-32 X .375	60
- 1	1 1 1 1	2-22603-0 SCR, HEX HD CAP 8-32 X .312	59
- 1	1 1 1 1	458537-2 PAWL, FEED	56
- 4	4 4 4 4	2-21002-2 SCR, BTN SKT HD CAP 8-32 X .500	54
- 2	2 2 2 2	3-21000-0 SCR, SKT HD CAP 8-32 X .875	53
- -	- - - -	690602-6 CAM, PRE FEED, 1 5/8	49
- -	- - - -	690602-5 CAM, PRE FEED, 1 1/8	48
- 1	- - - -	690501-4 CAM, POST-FEED 1 5/8	47
- 1	1 1 1 1	459456-1 APPL. BASIC SUB ASSY (SIDE WISE MQCA)	46
- 1	1 1 1 1	690191-1 PLUG, NYLON	45
- 1	1 1 1 1	455673-1 RAM, SIDE FEED	44
- 1	1 1 1 1	690125-1 SHIM SUB-ASSY	43
- 1	1 1 1 1	690124-1 WASHER, RAM (.115)	42
- 1	1 1 1 1	7-21002-9 SCR, BTN SKT HD CAP 5/16-24 X 1.00	41
- 1	1 1 1 1	23241-6 BALL, STEEL	40
- 1	1 1 1 1	690170-1 SPRING, COMPRESSION	39
- 1	1 1 1 1	690142-1 DISC, INSULATION	38
- 1	1 1 1 1	354777-1 WIRE DISC, ASSEMBLY	37
- 1	1 1 1 1	22480-5 SPRING, COMPRESSION	36
- 1	1 1 1 1	690212-1 POST, RAM	35
- 1	1 1 1 1	690786-3 TERMINAL SUPPORT	34
- 2	2 2 2 2	2-21002-4 SCR, BTN SKT HD CAP 8-32 X .750	33
- 1	1 1 1 1	21024-5 WASHER, SPRG LOCK, REG NO 10	32
- 1	1 1 1 1	3-21000-4 SCR, SKT HD CAP 10-32 X .375	31
- 1	1 1 1 1	1320908-1 SPACER, STRIP GUIDE	30
- 1	1 1 1 1	1633091-3 ASSEMBLY, STRIP GUIDE	29
- 1	1 1 1 1	2-455888-7 SPACER, CRIMPER	28
- 1	1 1 1 1	1320928-1 PLATE, STRIP GUIDE	24
- 1	- - - -	690472-2 STRIPPER	22
- 1	1 1 1 1	2-21000-7 SCR, SKT HD CAP 8-32 X .500	21
- 4	4 4 4 4	21024-4 WASHER, SPRG LOCK, REG NO 8	20
- -	- - - -	691353-1 STRIPPER	19
- 1	- - - -	679625-1 SHEAR HOLDER, FRONT (NO CUT)	17
- 1	1 1 1 1	3-22280-3 SPRING, COMPRESSION	12
- 1	1 1 1 1	690461-1 STOP, SHEAR	11
- -	- - - -	690459-1 SHEAR HOLDER, FRONT	10
- 1	1 1 1 1	454276-1 FLOATING SHEAR, FRONT	9
1	1 1 1 1	8-1633116-6 ANVIL, COMBINATION	8
- 1	1 1 1 1	1-455889-4 DEPRESSOR, SHEAR	5
- 1	1 1 1 1	238011-4 BLOCK, CRIMPER SPACER	4
- 1	1 1 1 1	1-683454-4 CRIMPER, INSULATION 0	3
- 1	1 1 1 1	455888-3 SPACER, CRIMPER	2
- 1	1 1 1 1	6-1490019-2 CRIMPER, WIRE PREMIUM	1

- △ RECOMMENDED SPARE PARTS
- △ GREASE LIGHTLY
- △ GUARD MUST BE IN PLACE WHEN OPERATING APPLICATOR IN A BENCH MACHINE



THIS DRAWING IS A CONTROLLED DOCUMENT.

APPROVED: T. ELBIN, T. BENCHOFF

DATE: 5DEC2006

NAME: SIDE FEED HDM APPLICATOR

SIZE: A1 00779 C=1852385

SCALE: 3:5

SHEET 1 OF 1

REV C