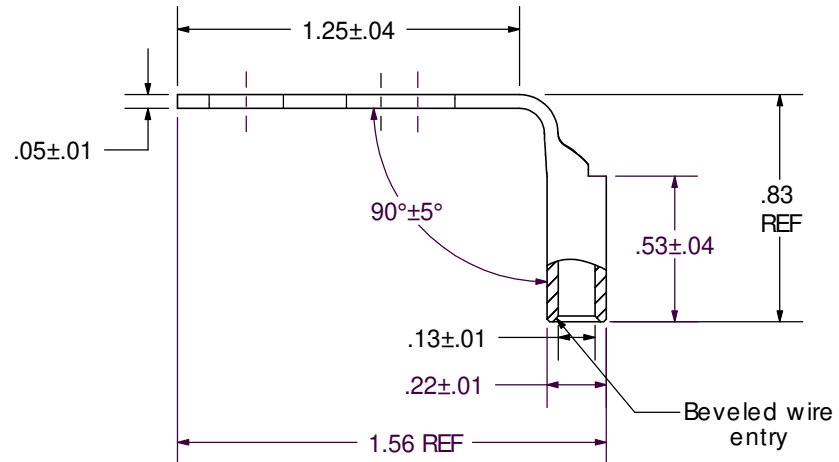
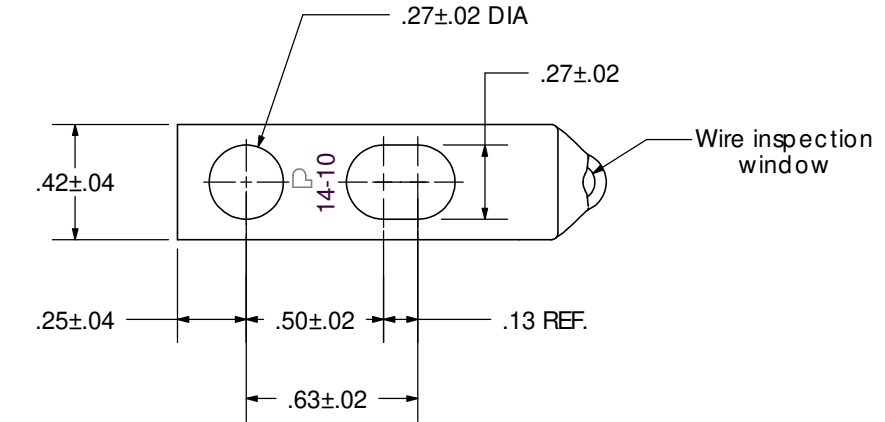


THIS COPY IS PROVIDED ON A RESTRICTED BASIS AND IS NOT TO BE USED IN ANY WAY DETRIMENTAL TO THE INTERESTS OF PANDUIT CORP.

Material	High Conductivity Seamless Copper Tube
Plating	Electro-Tin
Wire Size	14 - 10 AWG STR, 12 - 10 AWG SOL
Wire Type	Stranded Copper; Class B: Compact, Compressed or Concentric, Class C: Concentric
Wire Strip Length	9/16 in.
Stud Size	1/4 in.
UL Listed Wire Connector	Yes, for applications up to 35kv. Consult cable manufacturer for voltage stress relief instructions with applications greater than 2000 volts.
UL Temperature Rating	90° C
C.SA Certified Wire Connector	Yes
Panduit Color Code on Barrel	N/A
Panduit Die Index No. on Barrel	N/A
Alternate Industry Die Index No. ( ) on Barrel	N/A



**PANDUIT CORP.** TINLEY PARK, ILLINOIS

LCC10-14JAWF-L  
Copper Lug - Sotted Two-Hole, Long Barrel with Window, 90° Angle Tongue

01 12/04 JHNU JHNU REVISED WIRE SIZE 12305

REV DATE BY CHK DESCRIPTION ECN SCALE N/A DRAWING NO / CAD FILE LCC10-14JAWF-CUST