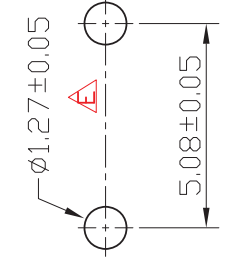


RMJ-X-Y-Z-NL
1 2 3 4 5 6

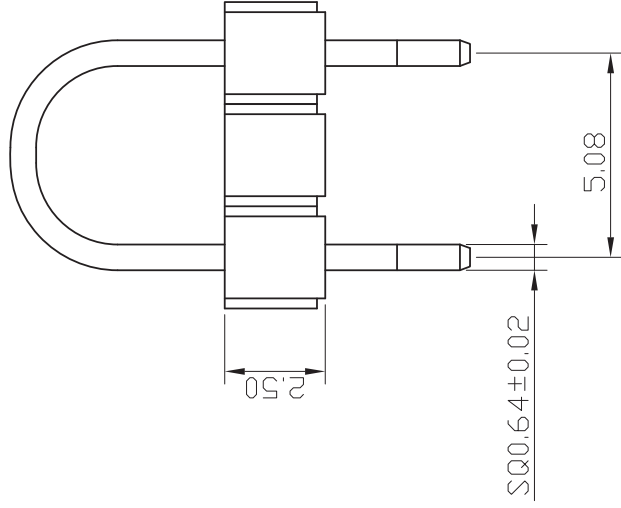
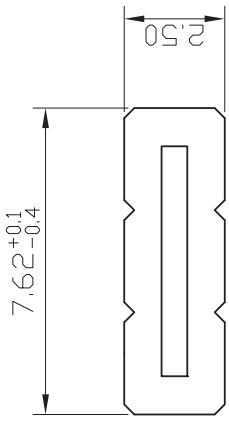
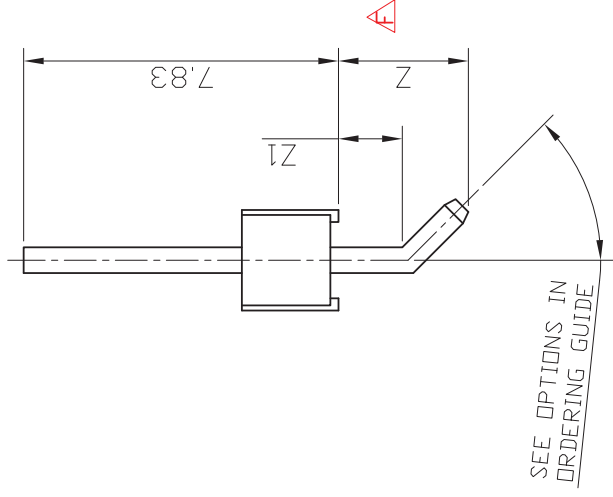
- SERIES
- PLATING OPTIONS:
G=GOLD FLASH
G1=2u"; G2=10u"; G3=15"; G4=30"
T=100u" Tin PLATED INCLUDE NOTATION-
UNDERPLATE-50u" Ni MINIMUM
- SOLDER TAIL CONFIGURATION:
A=STRAIGHT; B=45°; C=20°
- INSULATOR COLOR:
B=BLACK; W=WHITE
- LENGTH OF SOLDER TAIL
Z=360=3.6mm(Z1=1.60mm);
Z=418=4.18mm(Z1=2.43mm)
Z=457=4.57mm(Z1=3.05mm)
- RoHS COMPLIANT

NOTES: UNLESS OTHERWISE SPECIFIED

- MATERIAL:
INSULATOR: NY-6T, UL94V-0
CONTACT : BRASS
- CHARACTERISTICS:
CURRENT RATING: 3.0A @80°C AMBIENT
VOLTAGE RATING: 250V AC, DC
OPERATING TEMP. RANGE:
-65°C ~ +105°C WITH GOLD
- CONTACT RESISTANCE:
INITIAL: 20 mOhm MAX.
AFTER ENVIRONMENTAL TEST: 40 mOhm MAX.
- INSULATION RESISTANCE:
INITIAL: 1000 MOhm MIN.
AFTER HUMIDITY AND THERMAL SHOCK TEST: 500 MOhm MIN.
- DIELECTRIC WITHSTANDING VOLTAGE: 1000V AC/MIN.
MECHANICAL PERFORMANCE:
RETENTION FORCE: 800 GRAMS AVERAGE.
MAX. PROCESSING TEMP.
NY-6T: 260°C FOR 10 SECONDS



P.C.B. LAYOUT



NOTE: ALL DIMS ARE IN mm

ECN#	DATE	SYM	REVISION RECORD	AUTH	BY	ANG.	DEC. MILLIMETERS	EXCEPT AS NOTED	SCALE	PROJECTION
14-027	03/27/14	F	CHANGE THE DRAWING SIZE OF 'Z' AND 'Z1'	BM	JY				N/A	1st ANGLE
07-370	07/31/07	E	REMOVED 'D=40°' AND CHANGED THE SIZE FROM 1.02 +/-0.05mm TO 1.27 +/-0.05mm	BM	JY					2nd ANGLE
07-336	06/30/07	D	REVISED G1=GOLD FLASH & G2=2u" TO G1=2u"&REVISED ITEM#4	BM	JY					3rd ANGLE
06-688	12/18/06	C	CHANGED THE PLATING INFO & ADDED UL94V-0 RATING TO INSULATOR MATERIAL	BM	JY					4th ANGLE
06-687	11/07/06	B	Z,Z1,ANGLE:SEE OPTIONS IN ORDERING GUIDE	BM	JY					5th ANGLE
06-686	11/07/06	A	40° WAS 20°	BM	JY					6th ANGLE



Research Develop Innovate
RDI, Inc. 400 Columbus Avenue Valhalla, NY 10595

TITLE: MINI JUMPER-5.08mm-RoHS COMPLIANT
DR: LUCIA DATE: 02/26/05 REF.
P/N: RMJ-X-Y-Z-NL
CK: JY PRE: CD DRAWING NO: 2328 SIZE: A REV: F

THIS DOCUMENT IS OWNED BY, AND THE INFORMATION CONTAINED IN IT IS PROPRIETARY TO, RDI, BY RECEIPT HEREOF THE HOLDER AGREES NOT TO USE THE INFORMATION AND NOT TO DISCLOSE IT TO ANY THIRD PARTY, NOR REPRODUCE THIS DOCUMENT WITHOUT THE WRITTEN CONSENT OF RDI, AND AGREES TO RETURN THIS DOCUMENT FORTHWITH UPON REQUEST.