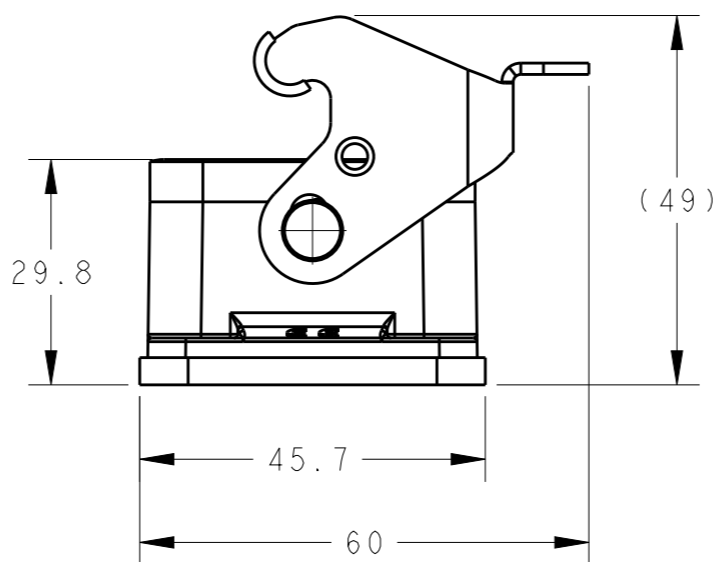
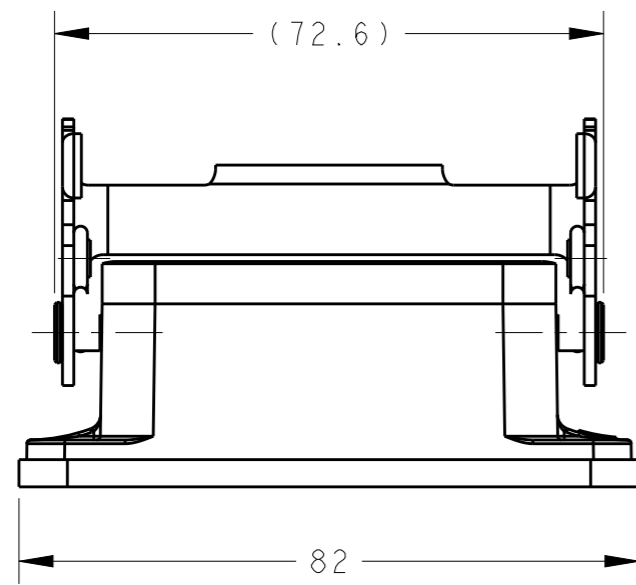


THIS DRAWING IS UNPUBLISHED. RELEASED FOR PUBLICATION 20  
© COPYRIGHT 20 BY - ALL RIGHTS RESERVED.

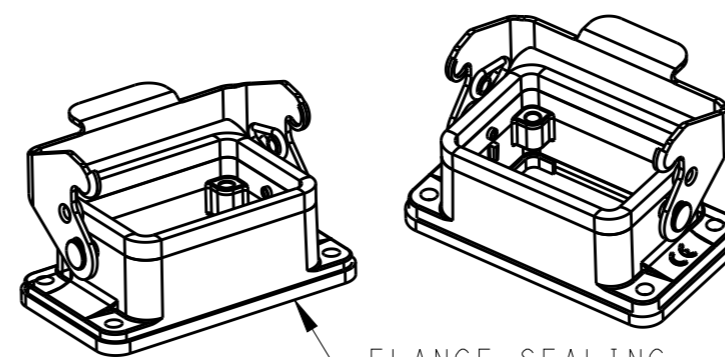
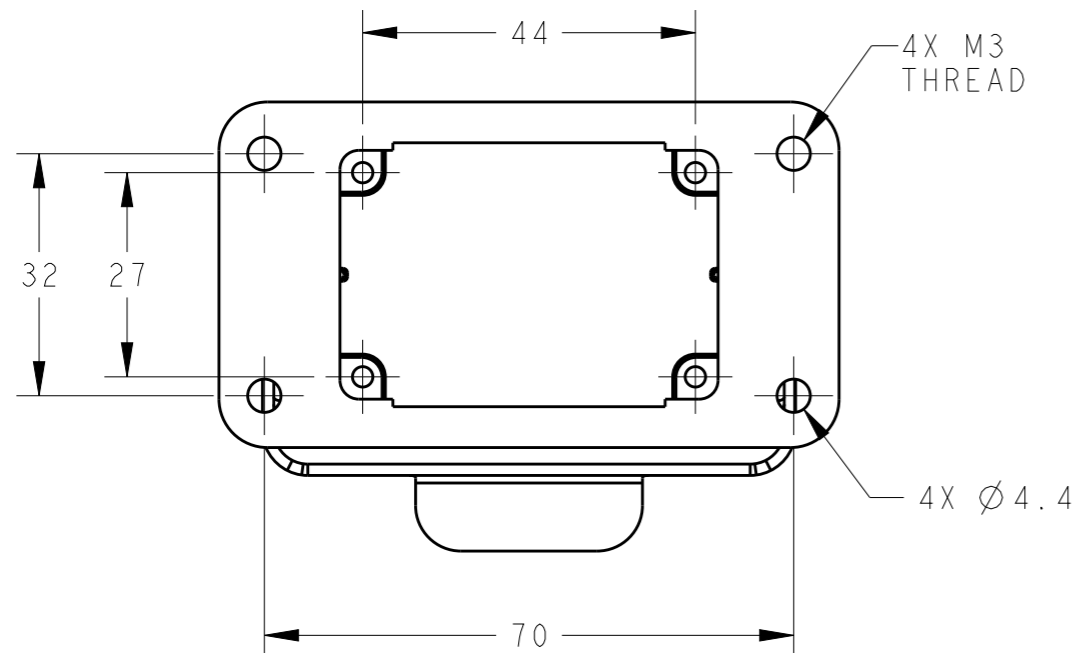
REVISIONS

P	LTR	DESCRIPTION	DATE	DWN	APVD
	A	INITIAL	10JUN2015	DW	CW
	A1	ECR-15-012067	10AUG2015	DW	CW
	B	ECR-20-007968	08JUN2020	WQR	CW



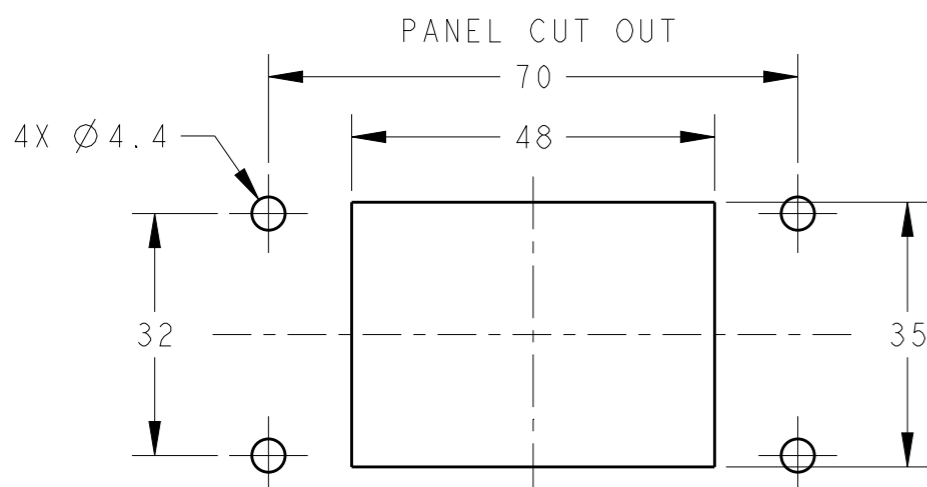
NOTES:  
 1. TECHNICAL CHARACTERISTICS:  
 HOUSING MATERIAL: DIE CAST ALUMINIUM ALLOY  
 SURFACE: POWDER COATED, SEE TABLE  
 DEGREE OF PROTECTION: IP65 (MATED)


注释:  
 1. 技术参数:  
 下壳材料: 铝合金  
 表面处理: 粉末涂层, SEE TABLE  
 防护等级: IP65(配合)



FLANGE SEALING SCALE 1:2

T1500063000-000	H6B-AG	GREY
T1500063500-000	H6B-AG	GREY FLANGE SEALING FIXED BY GLUE WITH HOUSING
T1503063000-000	H6B-AG	RED
PART NUMBER	DESCRIPTION	HOUSING COLOR



THIS DRAWING IS A CONTROLLED DOCUMENT.		DWN 05JUN2015 David Wang	 TE Connectivity			
DIMENSIONS: mm		CHK 05JUN2015 Chris Wang			NAME H6B-AG	
TOLERANCES UNLESS OTHERWISE SPECIFIED:		APVD 05JUN2015 Xiang Xu				
0 PLC ±- 1 PLC ±- 2 PLC ±- 3 PLC ±- 4 PLC ±- ANGLES ±-		PRODUCT SPEC 108-137013				
MATERIAL	FINISH	APPLICATION SPEC 114-137013	SIZE A3	CAGE CODE 00779	DRAWING NO G-T150X063X00000	RESTRICTED TO
-	-	WEIGHT -	SCALE 1:1		SHEET 1 OF 1	REV B
Customer Drawing						