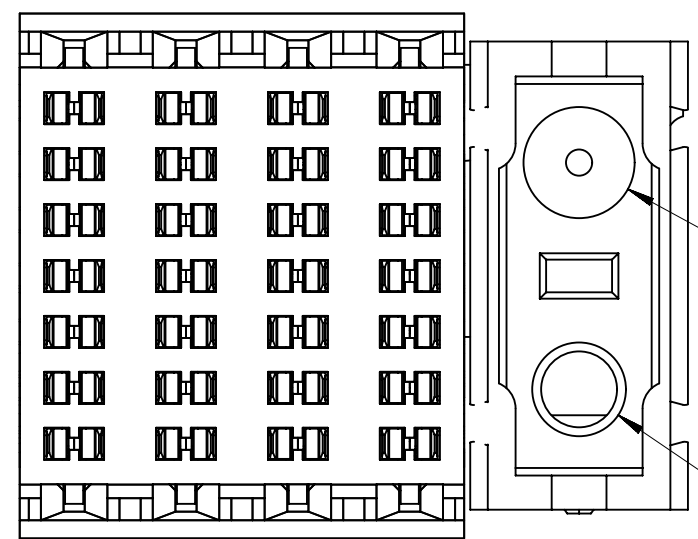
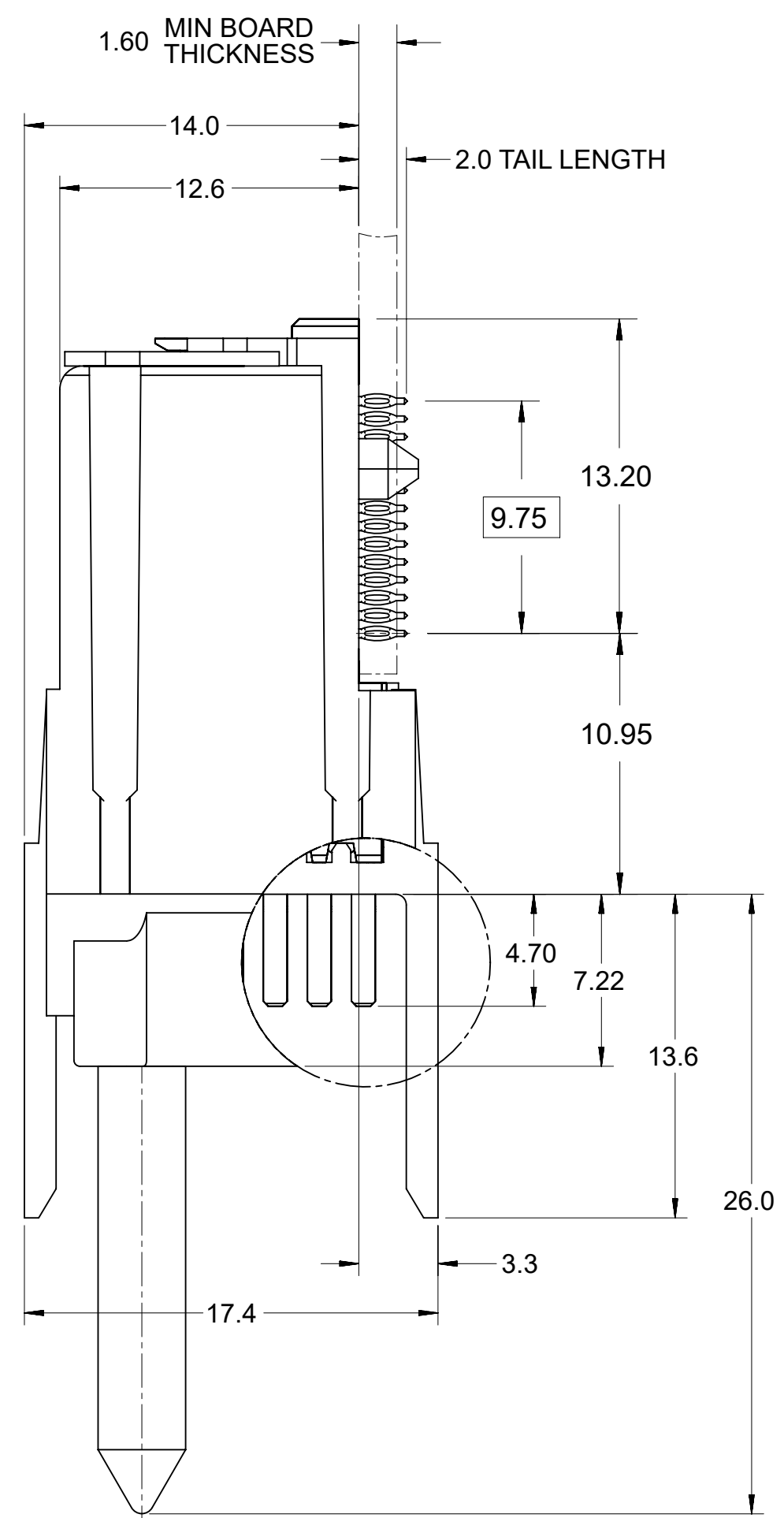


1.3
ADDITIONAL SPACE
REQUIRED FOR END
WALL VERSION



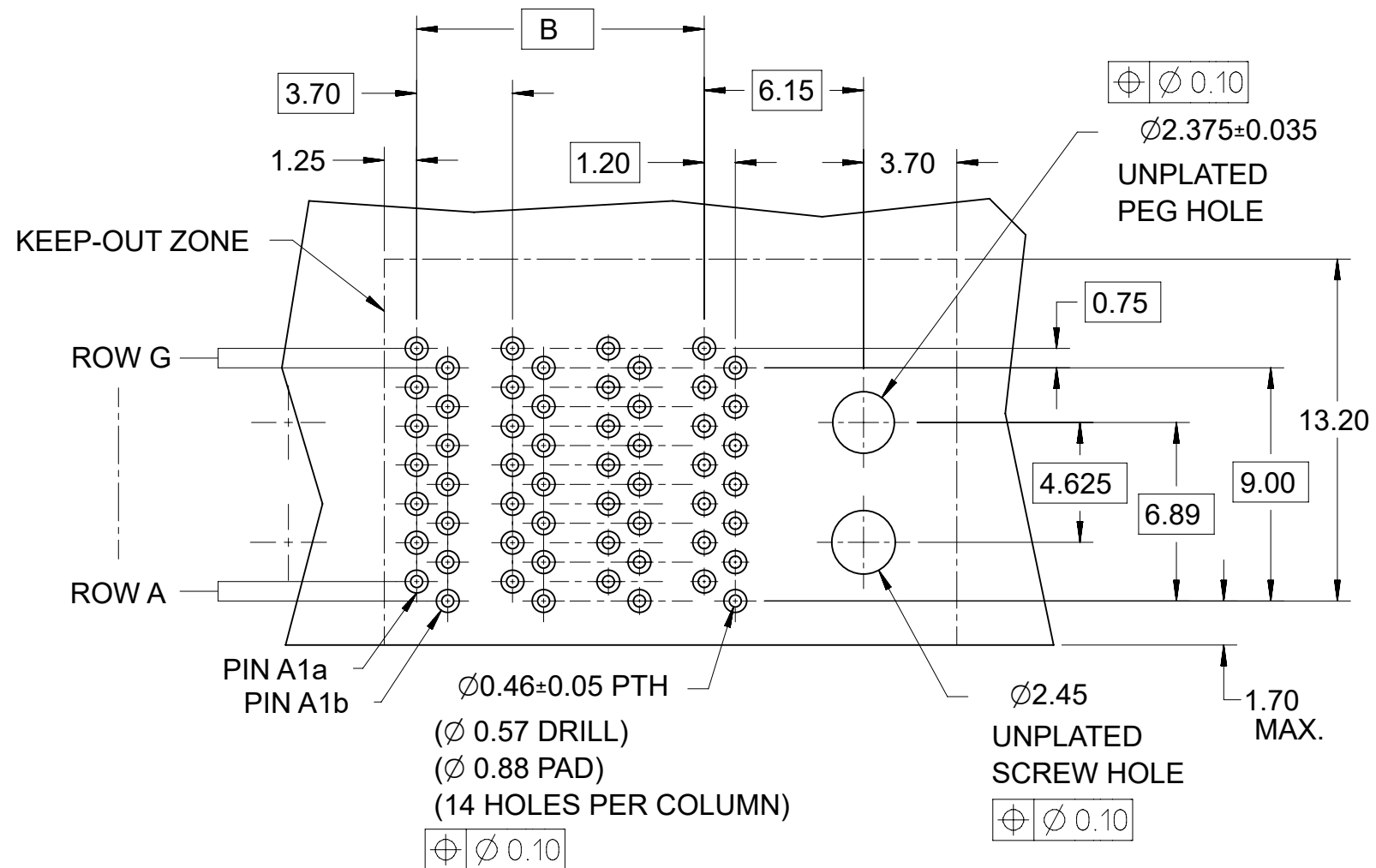
LOCATION OF GUIDE PIN
FOR STANDARD COPLANAR

LOCATION OF GUIDE PIN
FOR INVERTED APPLICATION



STANDARD PIN OPTION
(76011-***3)
(76011-***7)

PART NUMBER	# OF COLUMNS	DIM "A" MAX	DIM "B"
76011 - *4**	4	22.06	11.10
76011 - *1**	10	44.40	33.30



RAM HOLE PATTERN (CONNECTOR SIDE)

- NOTES:
- MATERIALS: HOUSING - LIQUID CRYSTAL POLYMER (LCP), BLACK, UL 94V-0
TERMINALS - HIGH PERFORMANCE COPPER ALLOY
 - FINISH: SELECTIVE GOLD (Au) IN CONTACT AREA,
SELECTIVE MATTE TIN (Sn) IN TAIL AREA;
NICKEL (Ni) UNDERPLATE OVERALL.
 - MOLEX PRODUCT SPECIFICATION: PS-75710-999.
 - OPTIONAL GUIDE PIN SHOWN IN COPLANAR LOCATION.
 - THIS PART CONFORMS TO CLASS B REQUIREMENTS OF
COSMETIC SPEC PS-45499-002.
 - PACKAGED PER PK-70873-588.
 - MAPS (MOLEX ADVANCED PLATING SYSTEM).

SEE NOTE 4.

THIS DRAWING CONTAINS INFORMATION THAT IS PROPRIETARY TO MOLEX ELECTRONIC TECHNOLOGIES, LLC AND SHOULD NOT BE USED WITHOUT WRITTEN PERMISSION									
DIMENSION UNITS mm		SCALE 4:1		CURRENT REV DESC: RETRACTION AS PER SALES FORCE CASE# 155432				molex	
GENERAL TOLERANCES (UNLESS SPECIFIED)				EC NO: 664200					
				DRWN: SUGEEB		2021/05/18		I-TRAC 7-ROW RIGHT ANGLE MALE GUIDE RIGHT ASSEMBLY	
4 PLACES ±				CHK'D: GGA		2021/05/25		PRODUCT CUSTOMER DRAWING	
3 PLACES ±				APPR: GGA		2021/05/25		DOCUMENT NUMBER	
2 PLACES ± 0.13				INITIAL REVISION:				SD-76011-003	
1 PLACE ± 0.25				DRWN: ELO		2006/05/03		DOC TYPE DOC PART REVISION	
0 PLACES ±				APPR: CBIXLER		2006/05/05		PSD 001 J	
ANGULAR TOL ± °				THIRD ANGLE PROJECTION		DRAWING		MATERIAL NUMBER	
DRAFT WHERE APPLICABLE MUST REMAIN WITHIN DIMENSIONS				C-SIZE		SERIES		CUSTOMER	
				76011		SEE TABLE		GENERAL MARKET	
								SHEET NUMBER	
								1 OF 3	

76011-***

MODULE TYPE - TAIL PLATING TYPE
 GUIDE RIGHT - MATTE TIN (FORMERLY TIN/LEAD) = 4
 GUIDE RIGHT - MATTE TIN = 5
 GUIDE RIGHT, END WALL - MATTE TIN (FORMERLY TIN/LEAD) = 8
 GUIDE RIGHT, END WALL - MATTE TIN = 9

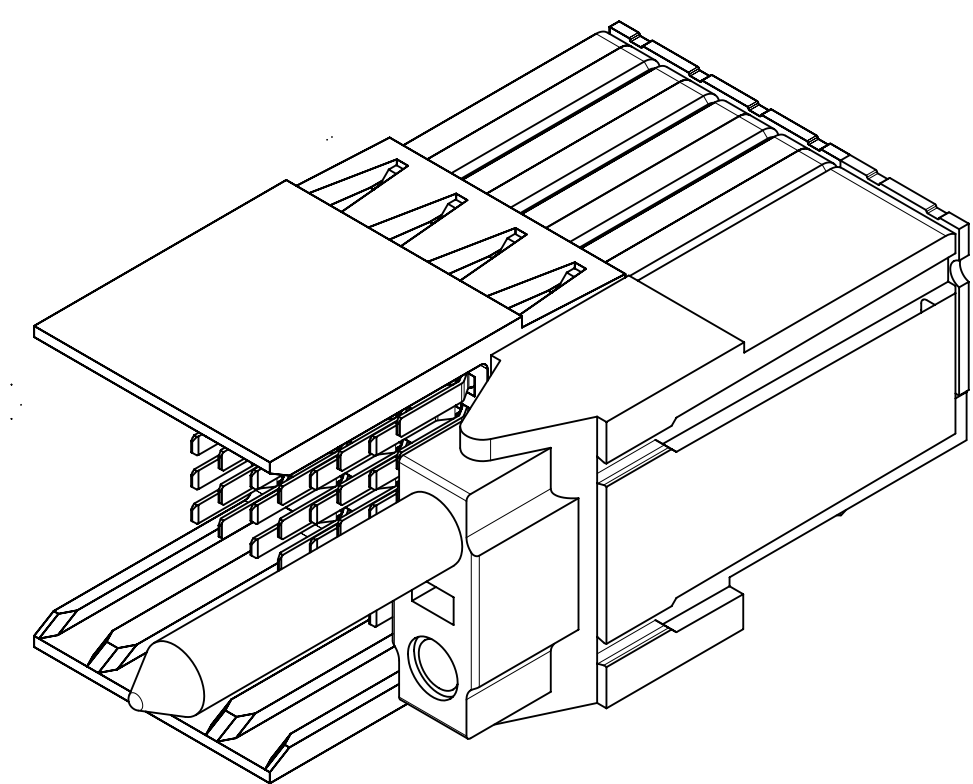
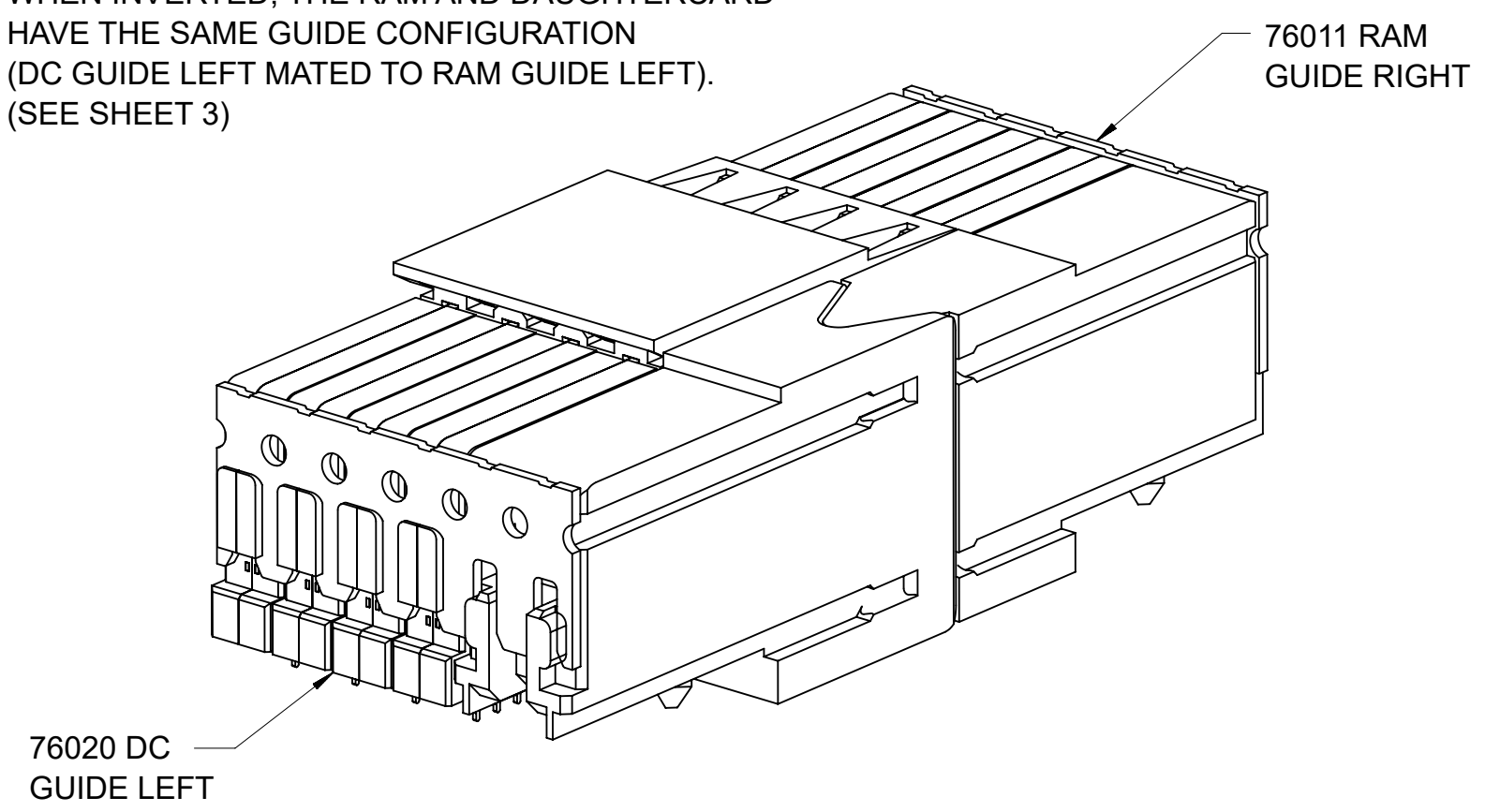
OF COLUMNS
 4 = 4 COL
 6 = 6 COL
 1 = 10 COL

ORIENTATION
 GUIDE POST
 2 = COPLANAR
 3 = INVERTED

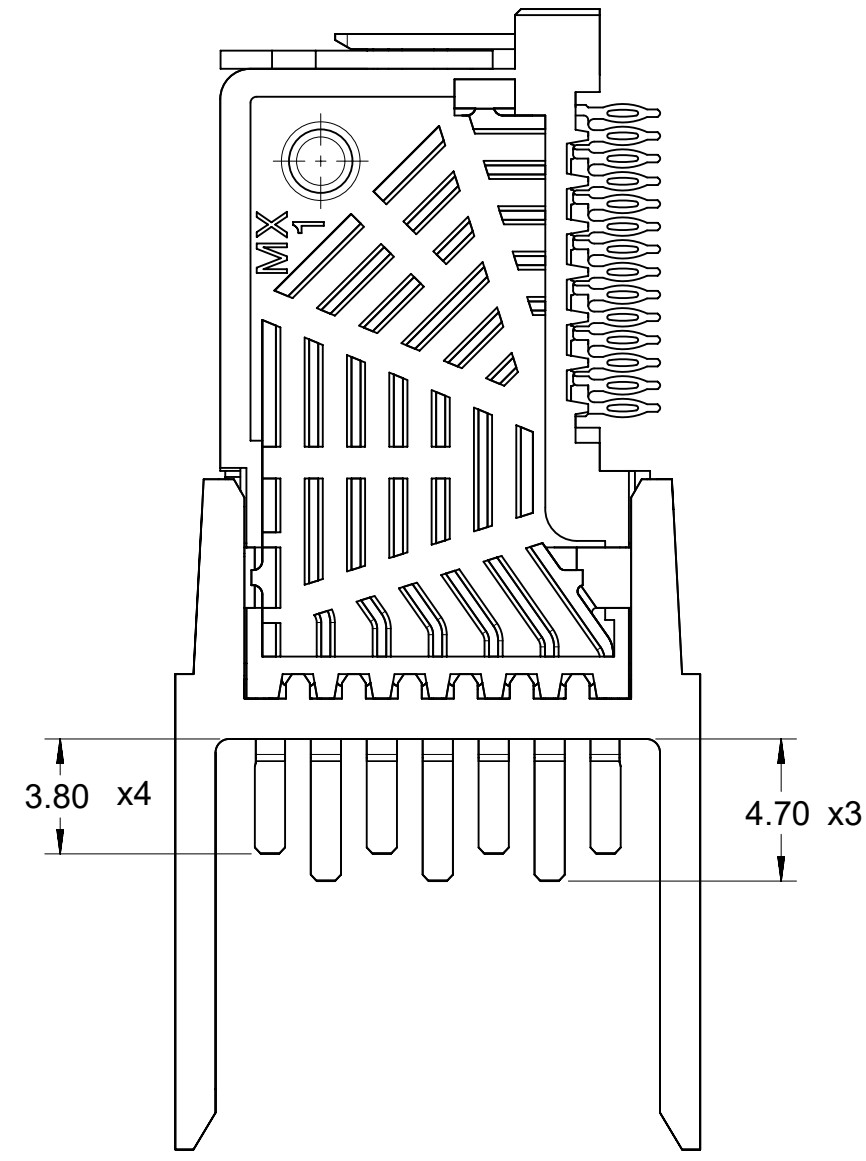
PIN LENGTH/PLATING
 3 = 4.70 30 GOLD
 5 = 4 X 3.80, 3 X 4.70 STAGGERED 30 GOLD
 6 = 2 X 3.80, 5 X 4.70 STAGGERED 30 GOLD
 7 = 4.70 10 GOLD (MAPS)
 8 = 4 X 3.80, 3 X 4.70 STAGGERED 10 GOLD (MAPS)
 9 = 2 X 3.80, 5 X 4.70 STAGGERED 10 GOLD (MAPS)
 1 = 4.70 50 GOLD
 2 = 4 X 3.80, 3 X 4.70 STAGGERED 50 GOLD
 4 = 2 X 3.80, 5 X 4.70 STAGGERED 50 GOLD

NOTE:

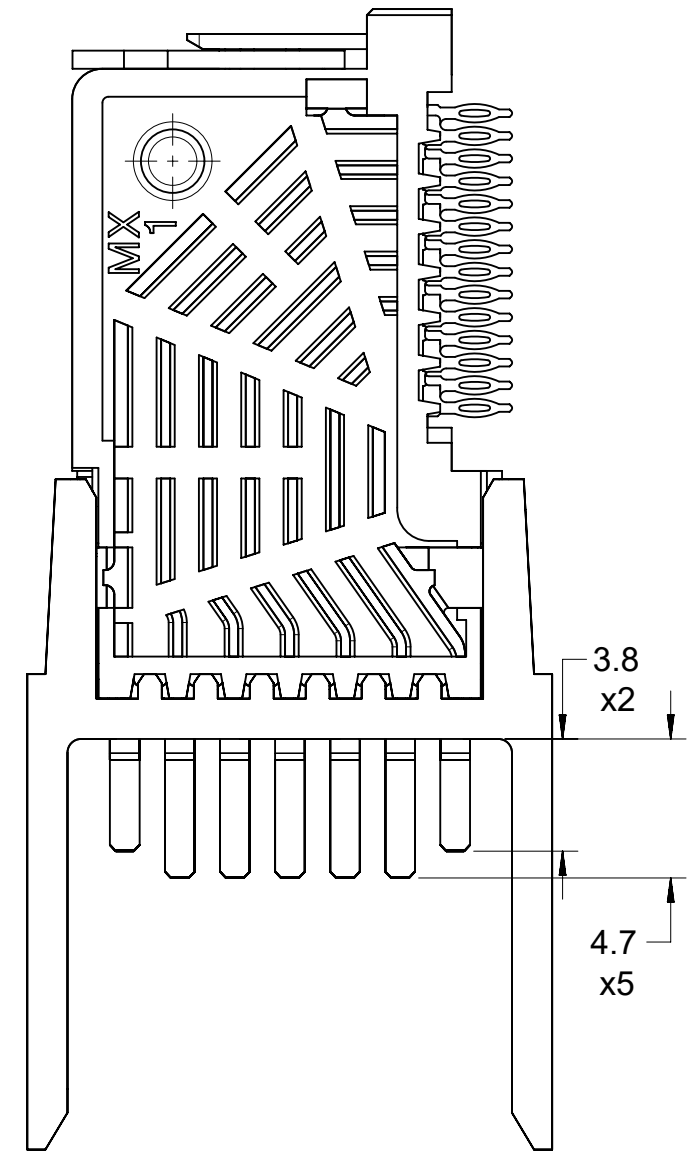
WHEN MATING RIGHT ANGLE MALE (RAM)
 TO A DAUGHTERCARD IN A COPLANAR APPLICATION,
 THE GUIDE CONFIGURATION IS OPPOSING
 (DC GUIDE LEFT MATED TO RAM GUIDE RIGHT).
 WHEN INVERTED, THE RAM AND DAUGHTERCARD
 HAVE THE SAME GUIDE CONFIGURATION
 (DC GUIDE LEFT MATED TO RAM GUIDE LEFT).
 (SEE SHEET 3)



76011-5*2*
 GUIDE RIGHT, COPLANAR



STAGGERED PIN OPTION
 (76011-***5)
 (76011-***8)

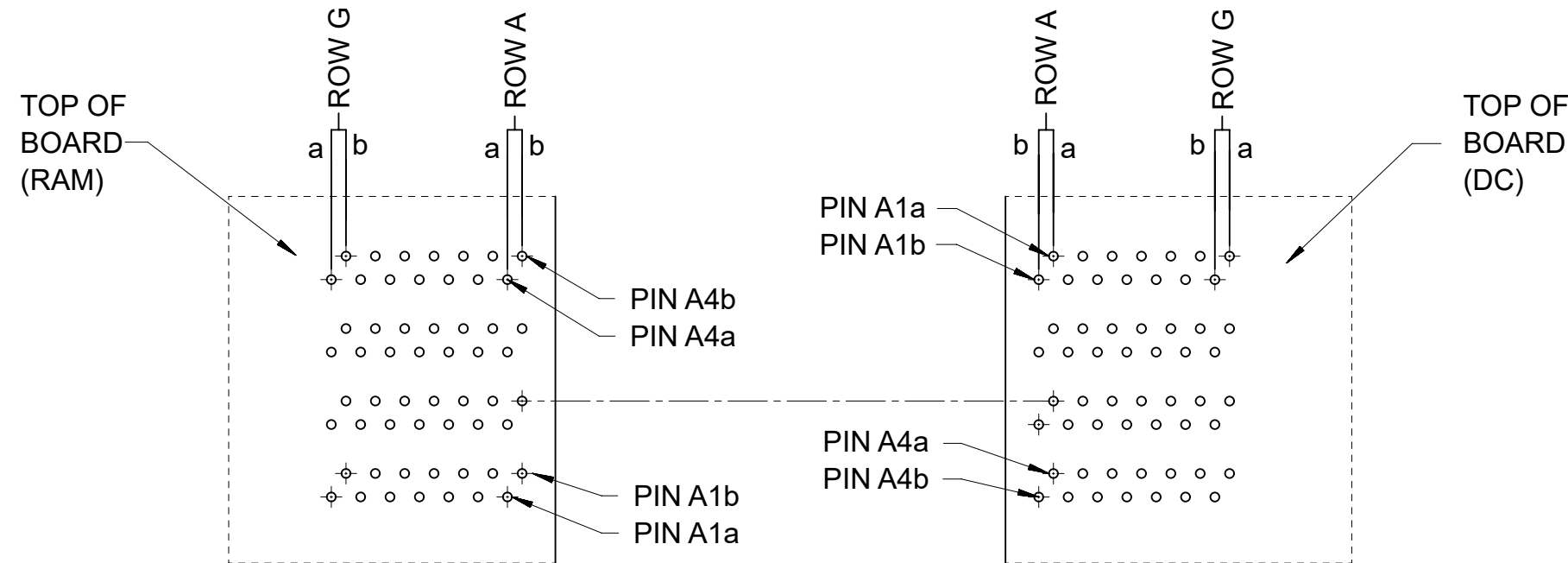
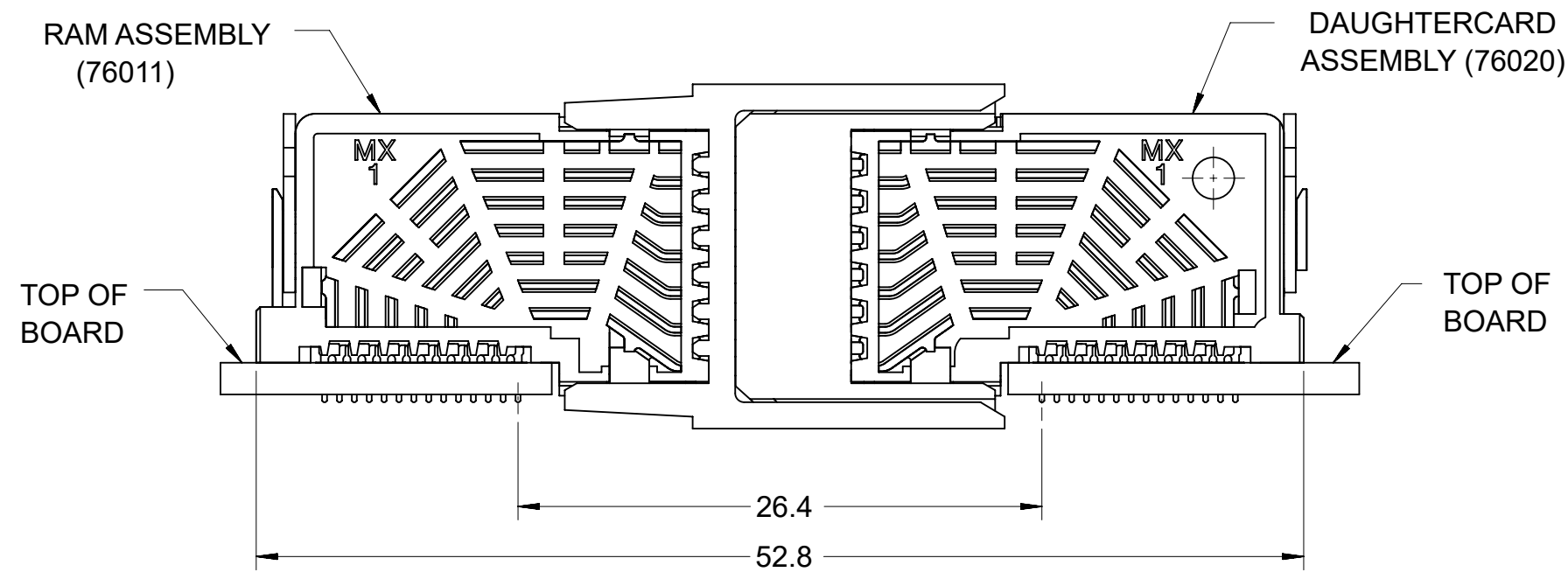


STAGGERED PIN OPTION
 (76011-***6)
 (76011-***9)

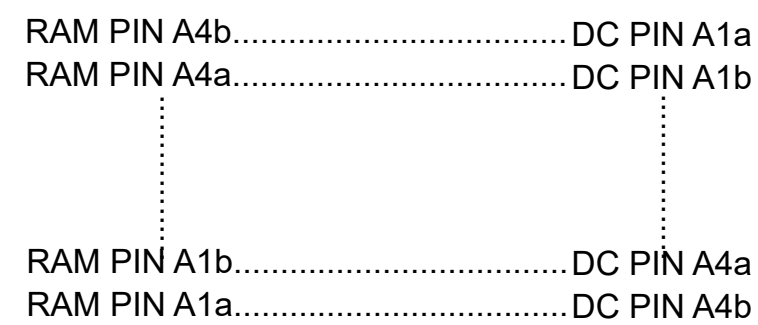
THIS DRAWING CONTAINS INFORMATION THAT IS PROPRIETARY TO MOLEX ELECTRONIC TECHNOLOGIES, LLC AND SHOULD NOT BE USED WITHOUT WRITTEN PERMISSION

DIMENSION UNITS mm		SCALE 3:1		CURRENT REV DESC: RETRACTION AS PER SALES FORCE CASE# 155432		molex		
GENERAL TOLERANCES (UNLESS SPECIFIED)				EC NO: 664200				
4 PLACES	±		±	DRWN: SUGEEB	2021/05/18	PRODUCT CUSTOMER DRAWING		
3 PLACES	±		±	CHK'D: GGA	2021/05/25	DOCUMENT NUMBER		
2 PLACES	±	0.13	±	APPR: GGA	2021/05/25	SD-76011-003		
1 PLACE	±	0.25	±	INITIAL REVISION:		DOC TYPE DOC PART REVISION		
0 PLACES	±		±	DRWN: ELO	2006/05/03	PSD 001 J		
ANGULAR TOL		±	°	APPR: CBIXLER	2006/05/05	SHEET NUMBER		
DRAFT WHERE APPLICABLE MUST REMAIN WITHIN DIMENSIONS		THIRD ANGLE PROJECTION		DRAWING	SERIES	MATERIAL NUMBER		CUSTOMER
				C-SIZE	76011	SEE TABLE		GENERAL MARKET
								2 OF 3

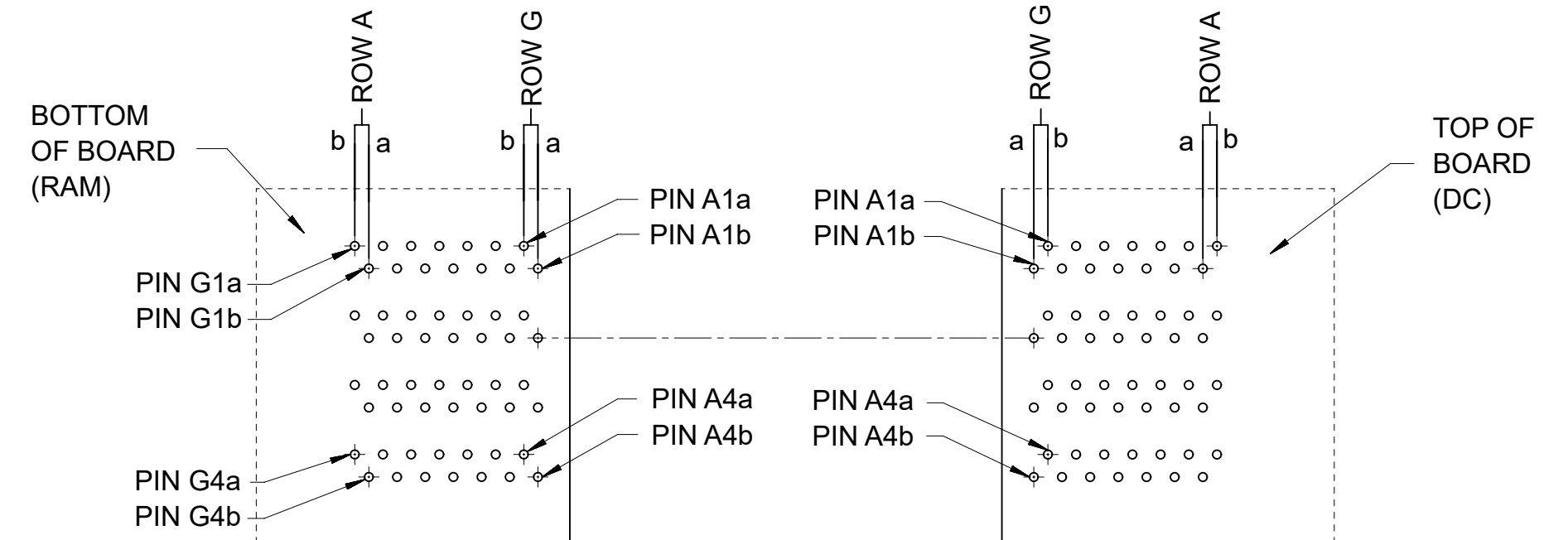
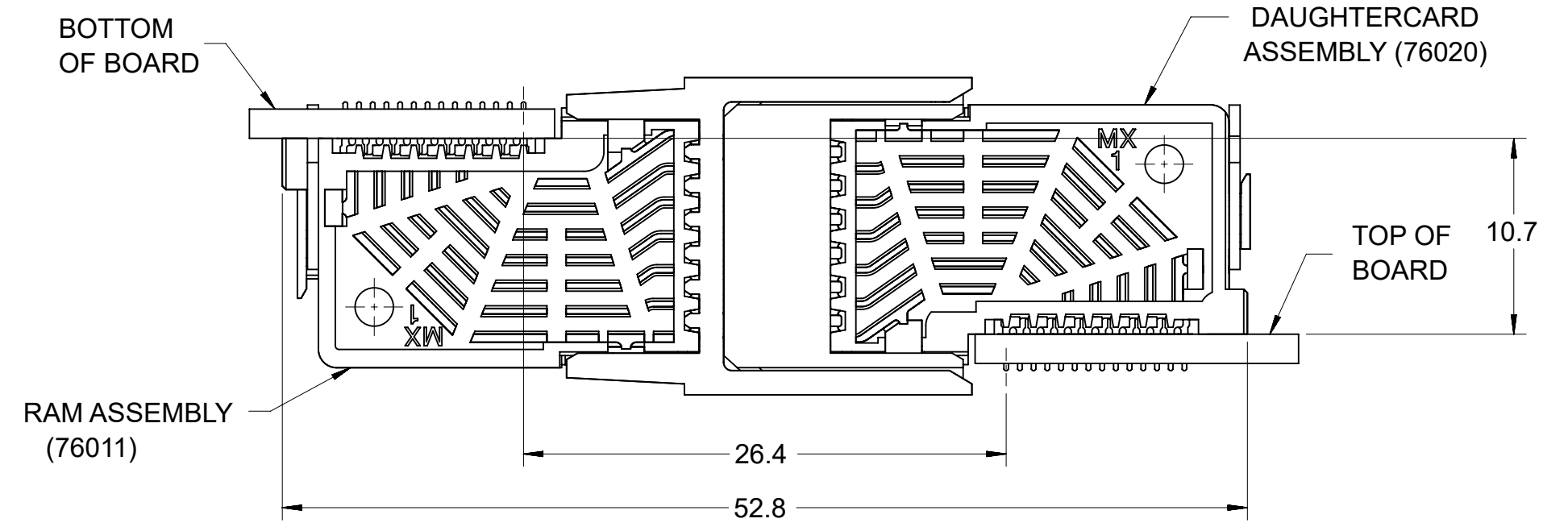
COPLANAR APPLICATION



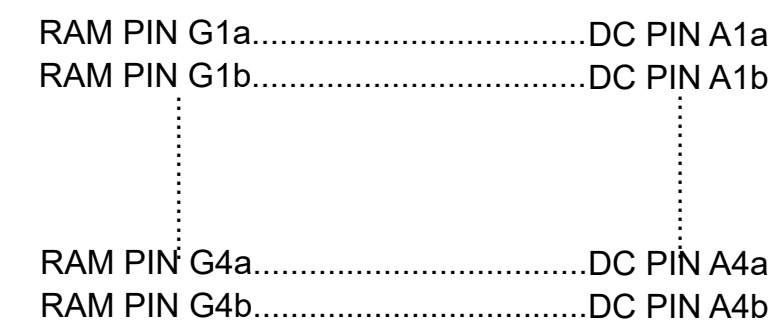
COPLANAR MATED SIGNAL PATHS



INVERTED APPLICATION



INVERTED MATED SIGNAL PATHS



THIS DRAWING CONTAINS INFORMATION THAT IS PROPRIETARY TO MOLEX ELECTRONIC TECHNOLOGIES, LLC AND SHOULD NOT BE USED WITHOUT WRITTEN PERMISSION

DIMENSION UNITS mm		SCALE 2:1		CURRENT REV DESC: RETRACTION AS PER SALES FORCE CASE# 155432		molex		
GENERAL TOLERANCES (UNLESS SPECIFIED)				EC NO: 664200				
4 PLACES	±		±	DRWN: SUGEEB	2021/05/18	PRODUCT CUSTOMER DRAWING		
3 PLACES	±		±	CHK'D: GGA	2021/05/25	DOCUMENT NUMBER		
2 PLACES	±	0.13	±	APPR: GGA	2021/05/25	DOC TYPE DOC PART REVISION		
1 PLACE	±	0.25	±	INITIAL REVISION:		SD-76011-003		
0 PLACES	±		±	DRWN: ELO	2006/05/03	PSD 001 J		
ANGULAR TOL		±	°	APPR: CBIXLER	2006/05/05	MATERIAL NUMBER		
DRAFT WHERE APPLICABLE MUST REMAIN WITHIN DIMENSIONS		THIRD ANGLE PROJECTION		DRAWING	SERIES	CUSTOMER		SHEET NUMBER
				C-SIZE	76011	GENERAL MARKET		3 OF 3