



CATALOGUE 2014-2015

OPTOELECTRONIC COMPONENTS

www.everlightamericas.com

EVERLIGHT
— AMERICAS

EVERLIGHT

THE SOURCE OF LIGHT

EVERLIGHT illuminates the way for many of the world's brightest companies. Acclaimed as a premiere global solution provider in the opto-semiconductor industry and held in high regard as a reliable partner for many of the world's leading electronics companies, EVERLIGHT incorporates versatility and creativity to provide customer driven value.

Since its foundation in 1983, EVERLIGHT has been an innovator in the production of LED for home appliances. Today EVERLIGHT brings decades of knowledge to a wide range of applications in the LED market including automotive, backlighting, solid state lighting, infrared products, mobile devices and signage.

From intelligent infrared sensors in mobile devices and backlit dashboards in automobiles to high-precision controls for industrial applications, EVERLIGHT improves the way we live. In addition, with applications for highly efficient indoor and outdoor lighting in offices, homes, landmarks and cities, EVERLIGHT's technology lights up the very spaces and places we enjoy everyday. In other words: EVERLIGHT makes the world brighter, more colorful and enhances quality of life.

For more information, please visit our website :
www.everlightamericas.com

CONTENTS

Alphanumeric Index	04
Conditions of RoHS	13
Application Notice	14
Technical Data	15

Visible LED

High Power LED		36
Low Middle Power LED		47
Flash LED	High Power Flash LED	50
SMD LED	Subminiature LED Lamps (Leadframe)	53
	Surface Mount Chip LED (PCB)	55
	Top View LED	56
	Top View 0402 (0.2T~0.5T)	57
	Top View 0603 (0.2T~0.8T)	62
	Top View 0805	64
	Top View 1206	66
	Top View Bi-Color	70
	Top View Full Color	72
	Side View (0.2T~1.0T)	75
	Side View Bi-Color	76
	Side View Full Color	77
	Reverse Mount	79
	Reverse Mount Bi-color	79
	Reverse Mount Full color	79
	Surface Mount PLCC LEDs (Reflector)	80
	Top View LED	80
	Top View Bi-Color	81
	Top View PLCC2	83
	Top View PLCC3	84
	Top View PLCC4	85
	Side View LED	88
LED Lamps	2mm Tower Type	88
	3mm Round Type	88
	5mm Round Type	93
	8mm Round Type	98
	10mm Round Type	98
	3mm Cylindrical	99
	5mm Cylindrical	99
	5mm Square	99
	Rectangular	100
	3mm Assembly LED	103
	5mm Assembly LED	106
LED Digital Displays	Chip On Board Display	108
	Single Digit Display	108
	Dual Digit Display	113
	Three Digit Display	114
	Four Digit Display	116
	SMD Display	118
	Single Digit Display	120
	Dual Digit Display	122
	Three Digit Display	123
	Four Digit Display	124
	Dot Matrix Display	125
	Light Bar Display	127
Signage LED	Surface Mount Chip LED (PCB)	128
	Surface Mount PLCC LED (Reflector)	129
	Lamp Type LED	130
	3mm Oval Type	129
	5mm Oval Type	130
	5mm Round Type	131
Automotive LED	Super Flux LED	132
	Surface Mount Chip LED (PCB)	133
	Surface Mount PLCC LED (Reflector)	134

Infrared LED and Silicon Detector	Emitter	Lamp 3mm	138
		Lamp 5mm	139
		Piranha	142
	Photo Diode	SMD	143
		DIP	150
		Side Look	151
		SMD	152
		DIP	155
	Photo Transistor	Side Look	158
		SMD	159
DIP-V _o – V _{cc} – GND		163	
Infrared Receiver Module	Short Burst	SMD	163
		DIP-V _o – GND – V _{cc}	165
	Standard Burst	DIP-V _o – V _{cc} – GND	169
		SMD	170
	Width Band	DIP-V _o – GND – V _{cc}	174
		3D	174
Optic-Fiber Device (Photo Link)	Receiver (PLR) Component		175
	Receiver (PLR) Module		178
	Transmitter (PLT) Component		179
	Transmitter (PLT) Module		182
Optical Sensors	Ambient Light Sensor	Analog	184
		Digital	189
	RGB Color Sensor	Single Color Sensor (Analog)	190
	Reflective Sensor		191
	Transmissive Sensor		195
Photo Coupler	Darlington Transistor	4Pin DIP-DC	201
		4Pin SOP-DC	201
		6Pin DIP-DC	202
		8Pin DIP-DC	202
	High Speed	5Pin SOP	203
		8Pin SOP	204
		8Pin DIP	205
		8Pin Wide Body DIP	207
		5Pin SOP	208
	IGBT/MOSFET Gate Driver	8Pin SOP	208
		8Pin DIP	209
		8Pin Wide Body DIP	209
	Schmitt Trigger	6Pin DIP	209
		Transistor	4Pin DIP-AC
	4Pin DIP-DC		210
	4Pin High Isolation		211
	4Pin SOP-AC		211
	4Pin SOP-DC		212
	4Pin SSOP-AC		212
	4Pin SSOP-DC		213
	4Pin Long Creepage		213
	5Pin Long Creepage		214
	6Pin DIP-DC		214
	6Pin DIP-AC		215
	8Pin DIP-DC		215
	8Pin SOP-DC	215	
	8Pin SSOP-DC	216	
	8Pin SSOP-AC	216	
	16Pin DIP-DC	217	
	16Pin SSOP-AC	217	
	16Pin SSOP-DC	217	
	Triac	4Pin SOP	218
4Pin DIP		219	
5Pin DIP		220	
6Pin DIP		221	
Relay (Solid State Relay)	4Pin DIP	222	
	6Pin DIP	222	

ALPHANUMERIC INDEX

VISIBLE LED

EAA03BLAGGA0	104	EADCD040GA2	111	EADLB101RA2	124
EAA03BLAGYA0	104	EADCD040OA1	110	EADLBA10GA1	124
EAA03BLARGA0	104	EADCD040OA2	111	EADLBA10OA1	124
EAA03BLARRA0	104	EADCD040RA1	110	EADLBA10RA1	124
EAA03BLAYYA0	104	EADCD040RA2	111	EADLBA10RA3	124
EAA03BLBGA0	105	EADCD040YA2	111	EADSD040GA2	118
EAA03BLBGRA0	105	EADCD050RA1	112	EADSD040RA1	118
EAA03BLBRGA0	105	EADCD054GA1	112	EADSD040RA2	118
EAA03BLBRYA0	105	EADCD054OA0	112	EADSD050RA2	119
EAA03QLA4-RBA0	105	EADCD054OA1	112	EADSD056GA1	119
EAA03QLA4-RYA0	105	EADCD054RA1	112	EADSD056GA2	119
EAA03QLABBBBA0	105	EADCD054RA2	112	EADSF040GA1	122
EAA03QLAGGGGA0	105	EADCD056BA2	111	EADSF040RA1	122
EAA03QLAGGRRRA0	105	EADCD056GA2	111	EADSF056RA1	122
EAA03QLAGGYA0	105	EADCD056GA4	111	EADSF056RA2	122
EAA03QLARRRRA0	105	EADCD056GA6	111	EADSS020GA1	116
EAA03QLAYYYA0	105	EADCD056GA8	111	EADSS020RA1	116
EAA03SLABA0	103	EADCD056OA1	111	EADSS020RA2	116
EAA03SLAGA0	103	EADCD056RA1	111	EADSS020YA1	116
EAA03SLARA0	103	EADCD056RA2	111	EADSS020YA2	116
EAA03SLAYA0	103	EADCD056RA4	111	EADSS040RA1	116
EAA03SLBAA0	103	EADCD056RA6	111	EADSS040RA2	117
EAA03SLBBA0	103	EADCF040GA2	115	EADSS050GA2	117
EAA03SLBGA0	103	EADCF040RA1	114	EADSS056BA2	118
EAA03SLBGA1	103	EADCF040RA2	115	EADSS056GA1	117
EAA03SLBRA0	103	EADCF040RA4	115	EADSS056RA1	117
EAA03SLBYA0	103	EADCF056GA1	115	EADSS056RA2	118
EAA03SLCBA0	103	EADCF056GA2	115	EADST040RA1	120
EAA03SLCGA0	103	EADCF056RA1	115	EADST040RA2	120
EAA03SLCRA0	103	EADCF056RA2	115	EADST050GA1	120
EAA03SLCYA0	103	EADCS030BA2	108	EADST056GA1	121
EAA03SLDBA0	106	EADCS030GA1	108	EADST056GA2	121
EAA03SLDGA0	106	EADCS030GA2	108	EADST056RA2	121
EAA03SLDRA0	106	EADCS030OA1	108	EAF2016W16A0	51
EAA03SLDYA0	106	EADCS030OA2	108	EAF2016W20A0	52
EAA03SLDYGA0	106	EADCS030RA1	108	EAF2016W30A0	52
EAA03TLAGGGGA0	104	EADCS030RA2	108	EAF2016W33A0	51
EAA03TLARRRA0	104	EADCS036GA1	108	EAF2016W85A0	51
EAA03TLAYYYA0	104	EADCS036RA1	108	EAF4039W20A0	50
EAA05SLAGYA0	106	EADCS100RA2	109	EAHP1215WA0	39
EAA05SLARGA0	106	EADCS224BA2	109	EAHP1215WA1	39
EAA05SLAYGA0	106	EADCS224GA2	109	EAHP1215WA3	40
EAA05SLAYYA0	106	EADCS224OA1	109	EAHP1215WA4	40
EAA05SLBBA0	107	EADCS224RA1	109	EAHP1215WA5	40
EAA05SLBGA0	107	EADCS224RA2	109	EAHP1215WA6	40
EAA05SLBRA0	107	EADCT036GA1	113	EAHP1215WA7	40
EAA05SLBYA0	107	EADCT036GA2	113	EAHP1215WA8	40
EAA05SLCBA0	107	EADCT036RA2	113	EAHP1215WA9	41
EAA05SLCGA0	107	EADCT056AA1	113	EAHP1215WB0	39
EAA05SLCRA0	107	EADCT056AA2	114	EAHP1215WB1	39
EAA05SLCYA0	107	EADCT056BA2	114	EAHP1215WB2	39
EAA05SLDBA0	107	EADCT056GA1	113	EAHP1215WB3	40
EAA05SLDGA0	107	EADCT056GA2	114	EAHP1215WB4	41
EAA05SLDGA1	107	EADCT056RA1	113	EAHP1215WB5	39
EAA05SLDRA0	107	EADCT056RA2	114	EAHP1215WB6	40
EAA05SLDRA1	107	EADDM288GA1	123	EAHP1215WB7	41
EAA05SLDYA0	107	EADDM288GA2	123	EAHP1215WB8	39
EADCD030RA1	110	EADDM288RA1	123	EAHP1215WB9	39
EADCD030RA2	110	EADDM288YA1	123	EAHP1215WC0	41
EADCD040GA1	110	EADLB101GA2	124	EAHP1215WC1	40

ALPHANUMERIC INDEX

VISIBLE LED

EAHP1215WC2	40	EAHP2024WA8	41	EALP02RRARA0	100
EAHP1215WC3	41	EAHP2024WA9	43	EALP02RRAYA0	100
EAHP1215WC4	39	EAHP2024WB0	41	EALP02RRBGA0	100
EAHP1215WC5	39	EAHP2024WB1	42	EALP02RRBRA0	100
EAHP1313WA0	36	EAHP2024WB2	43	EALP02RRBRA1	100
EAHP1313WA1	36	EAHP2024WB3	43	EALP02RRBYA1	100
EAHP1313WA2	37	EAHP2024WB4	43	EALP02RRCRGA0	100
EAHP1313WA3	36	EAHP2024WB5	41	EALP02RRCYGA0	100
EAHP1313WA4	36	EAHP2024WB6	42	EALP02RRDBA0	100
EAHP1313WA5	37	EAHP2024WB7	41	EALP02RRDGA0	100
EAHP1313WA6	36	EAHP2024WB8	41	EALP02RRDRA0	100
EAHP1313WA7	36	EAHP3030WA0	49	EALP02RRDRA1	100
EAHP1313WA8	37	EAHP3030WA1	49	EALP02RRDYA0	100
EAHP1313WA9	36	EAHP3030WA2	49	EALP02RRREGA0	101
EAHP1313WB0	36	EAHP3030WA3	49	EALP02RRRERA0	101
EAHP1313WB1	37	EAHP3030WA4	49	EALP02RRRERA1	101
EAHP1313WB2	36	EAHP3030WA5	49	EALP02RRFBA0	101
EAHP1313WB3	36	EAHP3030WA6	49	EALP02RRFGA0	101
EAHP1313WB4	37	EAHP3045BA0	45	EALP02RRFRA0	101
EAHP1313WB5	36	EAHP3045BA1	45	EALP02RRFYA0	101
EAHP1313WB6	36	EAHP3045BA2	45	EALP02RRGGA0	102
EAHP1313WB7	37	EAHP3045GA0	45	EALP02RRGRA0	102
EAHP1313WB8	36	EAHP3045GA1	45	EALP02RRGYA0	102
EAHP1313WB9	36	EAHP3045GA2	45	EALP02TRABA0	88
EAHP1313WC0	37	EAHP3045GA3	45	EALP02TRAGA0	88
EAHP1313WC1	36	EAHP3045GA4	45	EALP02TRARA0	88
EAHP1313WC2	36	EAHP3045OA0	45	EALP03CLARA0	99
EAHP1313WC3	37	EAHP3045OA1	45	EALP03CLAYA0	99
EAHP1919WA0	37	EAHP3045RA0	45	EALP03OLABA0	128
EAHP1919WA1	38	EAHP3045RA1	45	EALP03OLAGA0	128
EAHP1919WA2	38	EAHP3045RA2	45	EALP03OLARA0	128
EAHP1919WA3	37	EAHP3045RA3	45	EALP03OLARA1	128
EAHP1919WA4	38	EAHP3045RA4	45	EALP03OLAYA0	128
EAHP1919WA5	38	EAHP3045YA0	45	EALP03RDAAA0	88
EAHP1919WA6	37	EAHP3045YA1	45	EALP03RDABA0	88
EAHP1919WA7	38	EAHP3045YA2	45	EALP03RDABA1	88
EAHP1919WA8	38	EAHP3535BA0	44	EALP03RDAGA0	88
EAHP1919WA9	38	EAHP3535BA1	44	EALP03RDAGA1	88
EAHP1919WB0	38	EAHP3535BA2	44	EALP03RDAGA2	88
EAHP1919WB1	37	EAHP3535GA0	44	EALP03RDAGA3	88
EAHP1919WB2	38	EAHP3535GA1	44	EALP03RDAGA4	88
EAHP1919WB3	38	EAHP3535GA2	44	EALP03RDAAO0	88
EAHP1919WB4	37	EAHP3535OA0	44	EALP03RDARA0	88
EAHP1919WB5	38	EAHP3535RA0	44	EALP03RDARA1	88
EAHP1919WB6	38	EAHP3535RA1	44	EALP03RDARA2	88
EAHP1919WB7	37	EAHP3535RA2	44	EALP03RDARA3	88
EAHP1919WB8	38	EAHP3535RA3	44	EALP03RDARA4	88
EAHP1919WB9	38	EAHP3535XWA0	46	EALP03RDARGA0	88
EAHP1919WC0	37	EAHP3535XWA1	46	EALP03RDARGA1	88
EAHP1919WC1	37	EAHP3535XWA2	46	EALP03RDAYA0	88
EAHP1919WC2	38	EAHP3535XWA3	46	EALP03RDAYA1	88
EAHP1919WC3	38	EAHP3535XWA4	46	EALP03RDAYA2	88
EAHP2024WA0	43	EAHP3535XWA5	46	EALP03RDAYA3	88
EAHP2024WA1	41	EAHP3535YA0	44	EALP03RDAYA4	88
EAHP2024WA2	42	EAHP3535YA1	44	EALP03RDAYA5	88
EAHP2024WA3	43	EALP00SXABA0	132	EALP03RDBAGA0	89
EAHP2024WA4	43	EALP00SXAWA0	132	EALP03RDBGYA0	88
EAHP2024WA5	41	EALP00SXBYA0-AM	132	EALP03RDBRGA0	89
EAHP2024WA6	42	EALP02RRAAA0	100	EALP03RDBRGA1	89
EAHP2024WA7	43	EALP02RRAGA0	100	EALP03RDBRGA2	89

ALPHANUMERIC INDEX

VISIBLE LED

EALP03RDCAA0	89	EALP03SXARA0-AM	131	EALP05RDEWA0	95
EALP03RDCCA0	89	EALP03SXAYA0-AM	131	EALP05RDEWA1	95
EALP03RDCCGA2	89	EALP03SXBRA0-AM	131	EALP05RDEWA2	95
EALP03RDCCGA3	89	EALP03SXBYA0-AM	131	EALP05RDEWA3	95
EALP03RDCCGA4	89	EALP03SXCOA0-AM	131	EALP05RDEWA4	95
EALP03RDCCGA5	89	EALP03SXCRA0-AM	131	EALP05RDEWA5	95
EALP03RDCCGA6	89	EALP03SXCYA0-AM	131	EALP05RDEWA6	95
EALP03RDCCGA7	89	EALP03SXDOA1-AM	131	EALP05RDFRGA0	96
EALP03RDCCRA0	89	EALP03SXDWA0	131	EALP05RDFRGA1	96
EALP03RDCCRA1	89	EALP03SXDYA0-AM	131	EALP05RDFRGA2	96
EALP03RDCCRA2	89	EALP05CLARA0	99	EALP05RDFYBA0	96
EALP03RDCCRA3	89	EALP05CLAYA0	99	EALP05RDFYGA0	96
EALP03RDCCRA4	89	EALP05OLABA0	129	EALP05RDGBA0	96
EALP03RDCCRA5	89	EALP05OLAGA0	129	EALP05RDGGA0	96
EALP03RDCCWA0	89	EALP05OLAGA1	129	EALP05RDGGA1	96
EALP03RDCCWA1	89	EALP05OLARA0	129	EALP05RDGGA2	96
EALP03RDCCYA0	89	EALP05OLARA1	129	EALP05RDGGA3	98
EALP03RDDAA0	90	EALP05OLBBA0	129	EALP05RDGOA0	96
EALP03RDDGA0	90	EALP05OLBGA0	129	EALP05RDGRA0	96
EALP03RDDRA0	90	EALP05OLBGA1	129	EALP05RDGRA1	96
EALP03RDDYA0	90	EALP05OLCRA0	129	EALP05RDGRA2	96
EALP03RDEGA0	90	EALP05OLCYA0	129	EALP05RDGRA3	96
EALP03RDERA0	90	EALP05RDABA0	93	EALP05RDGRA4	96
EALP03RDEYA0	90	EALP05RDAGA0	93	EALP05RDGRA5	98
EALP03RDFGA0	90	EALP05RDARA0	93	EALP05RDGYA0	96
EALP03RDFGA1	90	EALP05RDAYA0	93	EALP05RDGYA1	96
EALP03RDFOA0	90	EALP05RDAYA1	93	EALP05RDHGA0	97
EALP03RDFRA0	90	EALP05RDBBA0	93	EALP05RDHGA1	97
EALP03RDFRA1	90	EALP05RDBGA0	93	EALP05RDHRA0	97
EALP03RDFWA0	90	EALP05RDBRA0	93	EALP05RDHRA1	97
EALP03RDFYA0	90	EALP05RDBRA1	93	EALP05RDHRA2	97
EALP03RDGAA0	91	EALP05RDBYA0	93	EALP05RDHRA3	97
EALP03RDGGA0	91	EALP05RDCGGA0	93	EALP05RDHYA0	97
EALP03RDGGA1	91	EALP05RDCRGA0	93	EALP05RDIBA0	97
EALP03RDGGA2	91	EALP05RDCYGA0	93	EALP05RDIGA0	97
EALP03RDGRA0	91	EALP05RDDBA0	130	EALP05RDIGA1	97
EALP03RDGRA1	91	EALP05RDDBA2	94	EALP05RDIRA0	97
EALP03RDGRA2	91	EALP05RDDBA3	94	EALP05RDJGA0	97
EALP03RDGRA3	91	EALP05RDDBA4	94	EALP05RDJOA0	97
EALP03RDGYA0	91	EALP05RDDGA0	94	EALP05RDJRA0	97
EALP03RDHAGA0	91	EALP05RDDGA1	94	EALP05RDJRA1	97
EALP03RDHRGA0	91	EALP05RDDGA2	94	EALP05RDJRA2	97
EALP03RDHRGA1	91	EALP05RDDGA3	94	EALP05RDJRA3	97
EALP03RDHYGA0	91	EALP05RDDGA4	94	EALP05RDJRA4	130
EALP03RDIBA0	92	EALP05RDDGA5	94	EALP05RDJYA0	97
EALP03RDIGA0	92	EALP05RDDGA6	94	EALP05RDJYA1	97
EALP03RDIGA1	92	EALP05RDDRA0	94	EALP05RDJYA2	97
EALP03RDIRA0	92	EALP05RDDRA1	94	EALP05RDJYA3	130
EALP03RDJAA0	92	EALP05RDDRA2	94	EALP05RDKBA0	98
EALP03RDJGA0	92	EALP05RDDRA3	94	EALP05RDKGA0	98
EALP03RDJRA0	92	EALP05RDDRA4	94	EALP05RDKGA1	98
EALP03RRABA0	102	EALP05RDDRA5	94	EALP05RDKGA2	130
EALP03RRAGA0	102	EALP05RDDRA6	94	EALP05RDLBA0	130
EALP03RRAGA1	102	EALP05RDDYA0	130	EALP05RDLGA0	130
EALP03RRARA0	102	EALP05RDDYA1	94	EALP05RDLGA1	130
EALP03RRAYA0	102	EALP05RDDYA3	94	EALP05RDLRA0	130
EALP03RRBGRA0	102	EALP05RDDYA4	94	EALP05RDLYA0	130
EALP03SXABA0	131	EALP05RDDYA5	94	EALP05RDLYA1	130
EALP03SXAGA0	131	EALP05RDDYA6	94	EALP05SQAGA0	99
EALP03SXAOA0-AM	131	EALP05RDDYA7	94	EALP05SQAGA1	99

ALPHANUMERIC INDEX

VISIBLE LED

EALP05SQARA0	99	EAPL3527GA5	81	EAPL4210A2	87
EALP05SQARA1	99	EAPL3527GA7	83	EASG2025GA0	53
EALP05SQAYA0	99	EAPL3527OA0	83	EASG2025GA1	53
EALP05SXABA0	131	EAPL3527OA1	82	EASG2025RA0	53
EALP05SXAWA0	131	EAPL3527RA0	82	EASG2025RA1	53
EALP05SXAYA0	131	EAPL3527RA0-AM	134	EASG2122GA0	54
EALP05SXAYA1	131	EAPL3527RA1	82	EASG2122GA1	54
EALP08RDAYA0	98	EAPL3527RA1-AM	134	EASG2122RA0	54
EALP10RDAGA0	98	EAPL3527RA2	82	EASG2122YA0	54
EALP10RDAGA1	98	EAPL3527RA2-AM	135	EASR3212AA0	77
EALP10RDARA0	98	EAPL3527RA3	82	EASR3212ABA0	79
EALP10RDAYA0	98	EAPL3527RA4	82	EASR3212ABA1	79
EAPL2214BA1	81	EAPL3527RA5	82	EASR3212BA0	77
EAPL2214GA0	81	EAPL3527RA6	82	EASR3212BA1	77
EAPL2214GA0-AM	134	EAPL3527RA8	83	EASR3212RGA0	79
EAPL2214GA1	81	EAPL3527WA0	83	EASR3212RGBA0	79
EAPL2214GA1-AM	134	EAPL3527WA1	82	EASR3212WA0	77
EAPL2214RA0	81	EAPL3527WA2	82	EASR3212WA1	77
EAPL2214RA0-AM	134	EAPL3527WA3	82	EASR3212WA2	77
EAPL2214RA1-AM	134	EAPL3527WA5	81	EASR3212WA3	77
EAPL2214WA0	81	EAPL3527WA6	81	EASR3212YA0	77
EAPL2214YA1	81	EAPL3527WA7	83	EASR3216BA2	78
EAPL2214YA2	81	EAPL3527YA0	82	EASR3216GA0	77
EAPL2835WA0	48	EAPL3527YA0-AM	134	EASR3216GA1	77
EAPL2835WA1	48	EAPL3527YA1-AM	135	EASR3216RA0	77
EAPL2835WA2	48	EAPL3527YA3	82	EASR3216RA1	77
EAPL2835WA3	48	EAPL3528RGA1	80	EASRL3216GA0	78
EAPL2835WA4	48	EAPL3528RGA0	127	EASRL3216GA1	78
EAPL2835WA5	48	EAPL3528RYA0	80	EASRL3216WA0	78
EAPL2835WA6	48	EAPL3528WA0	80	EASRL3216WA1	78
EAPL2835WA7	48	EAPL3810A0	87	EASRR3216BA0	78
EAPL2835WA8	48	EAPL3810A1	87	EASRR3216GA0	78
EAPL2835WA9	48	EAPL3810A2	87	EAST0808RGA0	126
EAPL2835WB0	48	EAPL3810A3	87	EAST0808RGA1	126
EAPL2835WB1	48	EAPL3810A4	87	EAST10052WA0	56
EAPL2835WB2	48	EAPL3810A0	86	EAST10053WA0	56
EAPL2835WB3	48	EAPL3810A1	86	EAST1005BA0	56
EAPL2835WB4	48	EAPL3810A2	86	EAST1005BA1	56
EAPL3020AA0	47	EAPL3810A3	86	EAST1005GA0	56
EAPL3020WA0	47	EAPL3810A4	86	EAST1005RA0	56
EAPL3020WA1	47	EAPL3810A5	86	EAST1005WA0	56
EAPL3020WA2	47	EAPL3810A6	86	EAST1005WA1	56
EAPL3020WA3	47	EAPL3810A7	86	EAST1010RGA0	125
EAPL3020WA4	47	EAPL3810A8	86	EAST1010RGA1	125
EAPL3020WA5	47	EAPL3810A9	86	EAST1224AA0	55
EAPL3020WA6	47	EAPL3810B0	86	EAST1224BA0	55
EAPL3232RGA0	127	EAPL3810B1	86	EAST1224YA0	55
EAPL3527BA0-AM	134	EAPL3810B2	86	EAST16082WA0	61
EAPL3527BA1	82	EAPL3810B3	86	EAST16082WA1	61
EAPL3527BA2	82	EAPL3810B4	86	EAST16082YA0	61
EAPL3527BA2-AM	134	EAPL3810B5	86	EAST16083BA0	57
EAPL3527BA3-AM	135	EAPL3810B6	86	EAST16083BA1	61
EAPL3527BA4	81	EAPL3810B7	86	EAST16083BA2	57
EAPL3527BA5	83	EAPL3828GGA0	80	EAST16083GA0	61
EAPL3527BGRA0	84	EAPL4040GA0-AM	135	EAST16083GA1	61
EAPL3527GA0	82	EAPL4040RA0	85	EAST16083RA0	61
EAPL3527GA0-AM	134	EAPL4040RA0-AM	135	EAST16083RA1	61
EAPL3527GA1-AM	135	EAPL4040WA1	85	EAST16083WA2	61
EAPL3527GA2	82	EAPL4040YA0-AM	135	EAST16084AA0	59
EAPL3527GA3	82	EAPL4210A1	87	EAST16084BA0	57

ALPHANUMERIC INDEX

VISIBLE LED

EAST16084BA1	59	EAST1608GA2	58	EAST2012GA1	62
EAST16084BA2	59	EAST1608GA3	58	EAST2012GA2	62
EAST16084GA1	59	EAST1608GA4	58	EAST2012GA3	62
EAST16084OA0	59	EAST1608GA5	58	EAST2012GA4	62
EAST16084RA0	59	EAST1608GA6	58	EAST2012GA5	62
EAST16084WA0	57	EAST1608RA0	58	EAST2012GA6	62
EAST16084WA1	59	EAST1608RA1	58	EAST2012GA7	62
EAST16084WA2	59	EAST1608RA2	58	EAST2012GA8	62
EAST16084WA3	59	EAST1608RA3	58	EAST2012GA9	62
EAST16084WA4	57	EAST1608RA4	58	EAST2012OA0	62
EAST16084YA0	59	EAST1608RGA0	67	EAST2012RA0	62
EAST16084YA1	59	EAST1608RGA2	67	EAST2012RA1	62
EAST16084YA2	59	EAST1608RGA3	67	EAST2012RA2	62
EAST16086AA0	60	EAST1608WA1	58	EAST2012RA3	62
EAST16086AA1	60	EAST1608YA0	58	EAST2012RA3-AM	133
EAST16086BA0	60	EAST1608YA1	58	EAST2012WA1	62
EAST16086BA1	60	EAST1608YA2	58	EAST2012WA3	62
EAST16086GA0	60	EAST1608YA3	58	EAST2012YA0	62
EAST16086GA1	60	EAST1613RGA0	68	EAST2012YA1	62
EAST16086GA2	60	EAST1613RGA1	68	EAST2012YA2	62
EAST16086GA3	60	EAST1615ABA0	69	EAST2012YA3	62
EAST16086GA4	60	EAST1615AWA0	69	EAST3015GA0	64
EAST16086GA5	60	EAST1615GAA0	69	EAST3015GA1	64
EAST16086GA6	60	EAST1615RBA0	69	EAST3015GA2	64
EAST16086GA7	60	EAST1615RBA1	69	EAST3015GA3	64
EAST16086GA8	60	EAST1615RGA0	69	EAST3015RA0	64
EAST16086GA9-AM	132	EAST1615RGA1	69	EAST3015RA1	64
EAST16086GB1	60	EAST1615YGA0	69	EAST3015RA2	64
EAST16086OA0	60	EAST1615YWA0	67	EAST3015RA3	64
EAST16086OA2-AM	132	EAST1616RGA0	70	EAST3015YA0	64
EAST16086RA0	60	EAST1616RGA1	71	EAST3015YA1	64
EAST16086RA1	60	EAST1616RGA2	71	EAST3025RBA0	66
EAST16086RA2	60	EAST1616RGA3	70	EAST3025RGA0	66
EAST16086RA3	60	EAST1616RGA4	71	EAST3025RGA2	66
EAST16086RA4	60	EAST1916GRA0	68	EAST3025RGA3	66
EAST16086RA5	60	EAST1916RBA0	68	EAST3025RGA4	66
EAST16086RA6	60	EAST1916RGA0	68	EAST3025YGA4	66
EAST16086RA7	60	EAST1916RGA1	68	EAST3215BA0	64
EAST16086RA8-AM	132	EAST1916YGA0	68	EAST3215BA1	64
EAST16086WA0	59	EAST20128AA0	63	EAST3215BA3	65
EAST16086WA2	59	EAST20128AA0-AM	133	EAST3215BA4	65
EAST16086WA3	60	EAST20128AA1	63	EAST3215GA0	65
EAST16086YA0	60	EAST20128BA1	63	EAST3215GA1	65
EAST16086YA1	60	EAST20128BA2	63	EAST3215GA2	65
EAST16086YA2	60	EAST20128GA0	63	EAST3215GA3	65
EAST16086YA3	60	EAST20128GA0-AM	133	EAST3215GA5-AM	133
EAST16086YA4	60	EAST20128GA1	63	EAST3215GA6	65
EAST16086YA5	60	EAST20128GA2	63	EAST3215GA7	65
EAST16086YA7-AM	132	EAST20128GA3	63	EAST3215GA8	65
EAST1608AA0	58	EAST20128GA4	63	EAST3215OA0	65
EAST1608AA1	58	EAST20128RA0	63	EAST3215RA0	65
EAST1608AA2	58	EAST20128RA0-AM	133	EAST3215RA1	65
EAST1608AGA0	67	EAST20128RA1	63	EAST3215RA2	65
EAST1608BA0	58	EAST20128RA2	63	EAST3215RA3-AM	133
EAST1608BA1	58	EAST20128YA0-AM	133	EAST3215RA4-AM	133
EAST1608BA2	58	EAST2012AA0	62	EAST3215RA6	65
EAST1608BA2	60	EAST2012BA0	62	EAST3215RA7	65
EAST1608BRA0	67	EAST2012BA1	62	EAST3215WA0	64
EAST1608GA0	58	EAST2012BA2	62	EAST3215WA1	65
EAST1608GA1	58	EAST2012GA0	62	EAST3215WA2	65

ALPHANUMERIC INDEX

VISIBLE LED

EAST3215WA3	65	ELHP5630WA2	49	
EAST3215YA0	65	ELHP5630WA3	49	
EAST3215YA1	65	ELHP5630WA4	49	
EAST3215YA2	65	ELHP5630WA5	49	
EAST3215YA3-AM	133	ELHP5630WA6	49	
EAST3215YA4-AM	133			
EAST3224BA0	55			
EAST3224RA0	55			
EAST3226RGBA0	70			
EAST3527RGA0	66			
EAST3527RGA1	66			
EAST3527RGA2	66			
EASV1003W0	73			
EASV1003Y0	73			
EASV1706BA0	74			
EASV1706GA0	74			
EASV1706RA0	74			
EASV1706WA0	74			
EASV1706WA1	74			
EASV1803BA0	74			
EASV1803RA0	74			
EASV1803WA0	74			
EASV2010BRA0	75			
EASV2110BA0	73			
EASV2110GA0	73			
EASV2110GA1	73			
EASV2110RA0	73			
EASV2110RA1	73			
EASV2110YA0	73			
EASV2110YA1	73			
EASV2110YA2	73			
EASV2713BA0	74			
EASV2713GA0	74			
EASV2713RGBA0	76			
EASV2713RGBA1	76			
EASV3015AGBA0	76			
EASV3015BA0	72			
EASV3015RGBA0	76			
EASV3015WA0	72			
EASV3015WA1	72			
EASV3020BA0	72			
EASV3020BA1	72			
EASV3020BA3	72			
EASV3020BRA0	75			
EASV3020GA0	72			
EASV3020GRA0	75			
EASV3020RA0	72			
EASV3020RGA0	75			
EASV3020YGA0	75			
EASY2122BA0	54			
EASY2122GA0	54			
EASY2122RA0	54			
EASY2520RA0	53			
EASY2520RA1	53			
EASY2520YA0	53			
EASZ2122BA0	54			
EASZ2122RA0	54			
EASZ2122YA0	54			
ELHP5630WA0	49			
ELHP5630WA1	49			

ALPHANUMERIC INDEX

INFRARED LED, SENSORS, COUPLERS

4N25	214	EAILP03SXAA0	142	EAIRMEA2	168
4N26	214	EAILP03SXCA0	142	EAIRMEA3	168
4N27	214	EAILP03SXEA0	142	EAIRMFA0	168
4N28	214	EAILP05RDBA0	139	EAIRMGA0	171
4N29	202	EAILP05RDBA1	139	EAIRMGA1	171
4N30	202	EAILP05RDBA2	139	EAIRMGA2	171
4N31	202	EAILP05RDBA3	139	EAIRMHA0	164
4N32	202	EAILP05RDBA4	139	EAIRMHA1	164
4N33	202	EAILP05RDDA0	139	EAIRMHA2	172
4N35	214	EAILP05RDDA2	139	EAIRMIA0	164
4N36	214	EAILP05RDDA3	139	EAIRMIA1	173
4N37	214	EAILP05RDDA4	139	EAIRMIA2	173
4N38	214	EAILP05RDDA5	139	EAIRMJA0	173
6N135	205	EAILP05RDDA6	139	EAIRMJA1	164
6N136	205	EAILP05RDDA7	139	EAIRMJA2	173
6N137	206	EAILP05RDDA8	139	EAIRMKA0	174
6N138	206	EAILP05RDDA9	139	EAIRMKA1	170
6N139	206	EAILP05Rddb1	139	EAIRMKA2	170
CNY17-1	214	EAILP05Rddb2	139	EAIRMKA3	170
CNY17-2	214	EAILP05Rddb3	139	EAIRMLA0	163
CNY17-3	214	EAILP05Rddb4	139	EAIRMLA1	163
CNY17-4	214	EAILP05Rddb5	139	EAIRMLA2	170
CNY17F-1	214	EAILP05RDGA0	139	EAIRMLA3	170
CNY17F-2	214	EAILP05RDGA1	139	EAIRMLA4	170
CNY17F-3	214	EAILP05RDGA2	139	EAIRMMA0	172
CNY17F-4	214	EAILP05RDIA0	140	EAIRMMA1	172
CNY64	211	EAILP05RDLA0	140	EAI SA2522A0	148
CNY65	211	EAILP05RDLA1	140	EAI SG2522A0	148
EAALSDIC2012A0	186	EAILP05RDLA2	140	EAI SG2522A1	148
EAALSDIC2012A1	189	EAILP05RDMA0	140	EAI SR3216A0	145
EAALSDIC2012A2	187	EAILP05RDMA1	140	EAI SR3216A1	145
EAALSDIC2012A3	187	EAILP05RDMA2	140	EAI ST1608A0	144
EAALSDIC2020A0	189	EAILP05RDNA0	141	EAI ST1608A1	144
EAALSDIC3215A0	186	EAILP05RDOA0	141	EAI ST1608A2	144
EAALSDIC3215A1	186	EAI PL3528A0	147	EAI ST1708A0	144
EAALSDSY6444A0	187	EAI PL3528A1	147	EAI ST1708A1	144
EAALSIC05RDMA0	185	EAI PL3528A2	147	EAI ST2012A0	144
EAALST03RDAA0	184	EAI PL3528A3	147	EAI ST2012A1	144
EAALST05RDDA0	184	EAI RMAA0	174	EAI ST2219A0	149
EAALST05RDMA0	184	EAI RMBA0	163	EAI ST3015A0	143
EAALSTIC2012A0	188	EAI RMAA1	169	EAI ST3015A1	143
EAALSTIC1708A0	188	EAI RMAA2	163	EAI ST3015A2	143
EAALSIC05RDMA1	185	EAI RMAA3	169	EAI ST3122A0	148
EAALSTIC2012A1	188	EAI RMAA4	169	EAI ST3122A1	148
EACLST3227A0	190	EAI RMAA5	169	EAI ST3215A0	143
EACLST3227A1	190	EAI RMAA6	169	EAI ST3216A0	145
EACLST3227A2	190	EAI RMCA0	165	EAI ST3216A1	145
EAILP03RDAA0	138	EAI RMCA1	165	EAI ST3216A2	145
EAILP03RDAA1	138	EAI RMCA2	165	EAI ST3224A0	147
EAILP03RDAA2	138	EAI RMDA0	165	EAI ST3224A1	147
EAILP03RDAA3	138	EAI RMDA0-2	165	EAI SV1608A0	147
EAILP03RDAA4	138	EAI RMDA0-4	165	EAI SV1608A1	147
EAILP03RDAA5	138	EAI RMDA1	165	EAI SV2406A0	148
EAILP03RDAA6	138	EAI RMDA2	166	EAI SV3010A0	143
EAILP03RDAA7	138	EAI RMDA2-2	166	EAI SV3010A1	143
EAILP03RDAA8	138	EAI RMDA3	166	EAI SV3010A2	143
EAILP03RDAA9	138	EAI RMDA4	166	EAI SV3024A	146
EAILP03RDAB0	138	EAI RMDA5	167	EAI SV3024A0	146
EAILP03RDKA0	138	EAI RMEA0	167	EAI SV3024A1	146
EAILP03RDKA1	138	EAI RMEA1	167	EAI SZ2522A0	148

ALPHANUMERIC INDEX

INFRARED LED, SENSORS, COUPLERS

EAITRAA0	195	EAPLP05RDDA1	156	EL0601	204
EAITRAA1	195	EAPLP05RDEA0	156	EL060L	204
EAITRBA0	193	EAPLP05RDEA1	156	EL0611	204
EAITRBA1	193	EAPLP05RDPA0	157	EL0630	204
EAITRBA2	200	EAPLP05RDQA0	157	EL0631	204
EAITRBA4	200	EAPLRAA0	175	EL1010-G	213
EAITRBA5	194	EAPLRAA1	178	EL1012-G	213
EAITRBA6	194	EAPLRAA2	178	EL1013-G	213
EAITRCA0	195	EAPLRAA3	178	EL1014-G	213
EAITRCA1	196	EAPLRAA6	179	EL1017-G	213
EAITRCA2	196	EAPLRAA7	179	EL1018-G	213
EAITRCA3	197	EAPLRAA8	175	EL1019-G	213
EAITRCA4	191	EAPLRAA9	175	EL1110-G	214
EAITRCA5	191	EAPLRAB0	176	EL1112-G	214
EAITRCA6	191	EAPLRAB1	176	EL1113-G	214
EAITRCA7	191	EAPLRBA0	176	EL1114-G	214
EAITRCA8	192	EAPLRBA3	177	EL1116-G	214
EAITRCA9	192	EAPLTA0	179	EL1117-G	214
EAITRCB0	197	EAPLTA1	180	EL1118-G	214
EAITRDA0	197	EAPLTA2	182	EL1119-G	214
EAITRDA1	198	EAPLTA3	182	EL205	215
EAITRDA2	198	EAPLTA4	183	EL206	215
EAITRDA3	198	EAPLTA5	182	EL207	215
EAITRDA4	199	EAPLTA6	183	EL208	215
EAITRDA5	199	EAPLTA7	183	EL211	215
EAITRDA6	192	EAPLTA8	180	EL212	215
EAITRDA7	192	EAPLTBA0	181	EL213	215
EAITRDA8	193	EAPLTBA1	180	EL215	215
EAPDLP03RDAA0	150	EAPLTBA2	180	EL216	215
EAPDLP03RDAA1	150	EAPLTBA3	181	EL217	215
EAPDLP03RRCA0	151	EAPPL3527A0	161	EL2200	205
EAPDLP04SCAA0	151	EAPPL3527A1	162	EL2201	205
EAPDLP04SCAA1	151	EAPSR3216A0	160	EL2202	205
EAPDLP04SCAA2	151	EAPSR3216A1	160	EL250L	205
EAPDLP04SCAA3	151	EAPST1608A0	160	EL2530	205
EAPDLP04SCAA4	151	EAPST1608A1	160	EL2531	205
EAPDLP05RDDA0	150	EAPST2012A0	160	EL2601	206
EAPDLP05RDDA1	150	EAPST2012A1	160	EL260L	206
EAPDST3215A0	152	EAPST2520A0	162	EL2611	206
EAPDST3224A2	153	EAPST2520A1	162	EL2630	206
EAPDST3224A3	153	EAPST3015A0	159	EL2631	206
EAPDST3227A0	153	EAPST3215A0	159	EL3010	221
EAPDSV3020A0	152	EAPST3215A1	159	EL3010(P5)	220
EAPDSZ2120A0	154	EAPST3216A0	161	EL3011	221
EAPDSZ4439A0	154	EAPST3224A0	161	EL3011(P5)	220
EAPDSZ4439A1	154	EAPSV3010A0	159	EL3012	221
EAPDSZ4439A2	153	EAPSV3010A1	159	EL3012(P5)	220
EAPDSZ4439A3	154	EAPSV3224A0	161	EL3021	221
EAPDSZ4439A4	153	EAPSZ2520A0	162	EL3021(P5)	220
EAPLP02RRHA0	158	EAPSZ2520A1	162	EL3022	221
EAPLP03RDAA0	155	EAPSG2520A0	162	EL3022(P5)	220
EAPLP03RDAA1	155	EL0314	208	EL3023	221
EAPLP04RRAA0	157	EL0452	204	EL3023(P5)	220
EAPLP04RRAA1	157	EL0453	204	EL3031	221
EAPLP04RRAA2	158	EL0500	204	EL3031(P5)	220
EAPLP04RRAA3	158	EL0501	204	EL3032	221
EAPLP04RRKA0	158	EL050L	204	EL3032(P5)	220
EAPLP04RRKA1	158	EL0530	204	EL3033	221
EAPLP04RRLA1	158	EL0531	204	EL3033(P5)	220
EAPLP05RDDA0	155	EL0600	204	EL3041	221

ALPHANUMERIC INDEX

INFRARED LED, SENSORS, COUPLERS

EL3041(P5)	220	ELM3022	218	TIL113	202
EL3042	221	ELM3023	218	TIL117	214
EL3042(P5)	220	ELM3024	218		
EL3043	221	ELM3042	218		
EL3043(P5)	220	ELM3043	218		
EL3051	221	ELM3044	218		
EL3051(P5)	220	ELM3052	218		
EL3052	221	ELM3053	218		
EL3052(P5)	220	ELM3054	218		
EL3053	221	ELM3062	218		
EL3053(P5)	220	ELM3063	218		
EL3061	221	ELM3064	218		
EL3061(P5)	220	ELM3082	218		
EL3062	221	ELM3083	218		
EL3062(P5)	220	ELM3084	218		
EL3063	221	ELM452	203		
EL3063(P5)	220	ELM453	203		
EL3081	221	ELM453L	203		
EL3081(P5)	220	ELM600	203		
EL3082	221	ELM601	203		
EL3082(P5)	220	ELM611	203		
EL3083	221	ELQ3H7	217		
EL3083(P5)	220	ELT3021	219		
EL3120	209	ELT3022	219		
EL3140	209	ELT3023	219		
EL3150	209	ELT3041	219		
EL354N-G	211	ELT3042	219		
EL357N-G	212	ELT3043	219		
EL3H4-G	212	ELT3051	219		
EL3H7-G	213	ELT3052	219		
EL406A	222	ELT3053	219		
EL425A	222	ELT3061	219		
EL440A	222	ELT3062	219		
EL4502	205	ELT3063	219		
EL4503	205	ELT3081	219		
EL4504	205	ELT3082	219		
EL452-G	201	ELT3083	219		
EL460A	222	ELW135	207		
EL606A	222	ELW136	207		
EL617	210	ELW137	207		
EL625A	222	ELW2601	207		
EL640A	222	ELW2611	207		
EL660A	222	ELW3120	209		
EL814	210	ELW4503	207		
EL815	201	H11A1	214		
EL816	210	H11A2	214		
EL817	210	H11A3	214		
EL817-G	210	H11A4	214		
EL825	202	H11A5	214		
EL827	215	H11AA1	215		
EL847	217	H11AA2	215		
EL851	210	H11AA3	215		
EL852	201	H11AA4	215		
ELD205	216	H11B1	202		
ELD206	216	H11B2	202		
ELD207	216	H11B255	202		
ELD211	216	H11B3	202		
ELD213	216	H11L1	209		
ELD217	216	MCT2E	214		
ELD3H7	216	TIL111	214		

CONDITIONS OF RoHS

From July 1st, 2006, RoHS requires that all electrical equipment should not contain lead, mercury, cadmium, hexavalent chromium, polybrominated biphenyls (PBBs) or poly brominated diphenyl ethers (PBDEs), and the elements are restricted to certain amount (such as mercury in a wound lighting tube <5 mg, lead in CRT glass, soldering tin, etc.). Before the date every member of European Union must obey of environment on chemical regulation.



- According to RoHS part, the norm of restrict and limit used substance adopted by EVERLIGHT AMERICAS.

Name	Description	Criteria
Cadmium	Cadmium and its compounds must not be present in parts, components, materials or products. Cadmium and its compounds must not used as stabilizers, coloring agent or as a surface coating treatment in parts, components, materials or products.	< 5 ppm (Plastics) < 75 ppm (Metals)
Lead restrictions	Lead and/or lead compounds shall not be present in hardware components or parts, however, except solder, electrical components and interconnect materials. Lead carbonates and sulfates must not be used in any paint applied to parts, component, or products.	< 100 ppm (Plastics) < 1000 ppm (Others)
Mercury restrictions	Mercury must not be contained in any part, material, components or product, including, but not limited to switches, relays or electrical contacts. This restriction does not apply to lamps with less than 10 mg if mercury.	< 5 ppm
Hexavalent chromium (chromium VI) and hexavalent chromium compounds	Hexavalent chromium (chromium VI) and hexavalent chromium compounds must not be present in parts, components, materials or products.	< 2 ppm
Polybrominated Biphenyls (PBBs)	Plastics parts, components, materials and products must not contain Polybrominated Biphenyls as flame retardants, specific PBBs, but are not limited to those listed in attachment item.	< 5 ppm
Polybrominated Diphenyl Ethers (PBDEs)	Plastic parts, components, materials and products must not contain Polybrominated Diphenyl Ethers, known as flame retardants, specific PBBEs, including, but are not limited to, those listed in attachment item.	< 5 ppm

Compliant with the following condition :

- Please visit EVERLIGHT AMERICAS website for updated information about third party test reports and RoHS declarations.
(www.everlightamericas.com)

APPLICATION NOTICE

Since we are continuously improving all of our products, the information listed in this Catalogue, which includes specifications, characteristics, data, materials used, structure, etc., are subject to change without prior notice. It is necessary that you request the newest specification sheet from EVERLIGHT AMERICAS when you place any inquiry or purchase order.

Please carefully read the specification sheet, and confirm your acceptance of the content. EVERLIGHT AMERICAS does not accept any liabilities for damages occurred due to the customer's lack of confirming the newest product specification.

It is important to strictly follow the maximum limit and other important instructions listed on the specifications sheet when using EVERLIGHT AMERICAS's products. The following is a list of special notes for products used in specific applications. It is recommended that customers read the instructions carefully before installing the products. Again, EVERLIGHT AMERICAS does not accept any liabilities for any improper use of EVERLIGHT AMERICAS's product or failure to follow the instructions listed herein:

Special Instruction:

1. Products listed in this Catalogue are designed primarily for the application listed below:
A : Calculators
B : Measurement equipment
C : AV machines
D : QA machines
E : Operating machines
F : Consumer electronics
G : Telecommunications

While products meet the application listed above, additional attention is required when products are to be utilized in the instruments listed under Special Instruction Notes 2 and 3.

2. When high reliability and safety concerns are required, it is very important that the design be made to focus on safety and long term reliability. Special care should be given to assure that EVERLIGHT AMERICAS's products integrate and function properly with all other parts of the instrument. Instruments fall into these categories include:

A : Instruments attached to transportation tools
(aircraft, train, automobile)
B : Traffic signs
C : Gas leaking detectors and gas shutters
D : Fire detectors
E : Other safety detectors
3. When extremely high reliability and safety concerns are required, it is necessary that you contact EVERLIGHT AMERICAS for additional information before use. Instruments fall into these categories include:

A : Aerospace instruments
B : Telecommunication tools (main line)
C : Nuclear weapon controls
D : Medical instruments
4. Should you have any additional questions, please contact EVERLIGHT AMERICAS for details.

TECHNICAL DATA

HIGH POWER LED (EAHP3045 , EAHP3535, EAHP1215, EAHP2024, EAHP1313, EAHP1919)
A22, B05)

CIE BINNING RANKS

Cool-White Bin Coordinates

5000K				
Bin	50K-1	50K-2	50K-3	50K-4
CIE X	0.346	0.338	0.337	0.345
	0.345	0.337	0.337	0.344
	0.353	0.345	0.344	0.352
	0.355	0.346	0.345	0.353
CIE Y	0.369	0.362	0.349	0.356
	0.356	0.349	0.337	0.343
	0.362	0.356	0.343	0.349
	0.376	0.369	0.356	0.362

5700K				
Bin	57K-1	57K-2	57K-3	57K-4
CIE X	0.329	0.321	0.321	0.329
	0.329	0.321	0.322	0.329
	0.337	0.329	0.329	0.337
	0.338	0.329	0.329	0.337
CIE Y	0.354	0.346	0.335	0.342
	0.342	0.335	0.324	0.331
	0.349	0.342	0.331	0.337
	0.362	0.354	0.342	0.349

6500K				
Bin	65K-1	65K-2	65K-3	65K-4
CIE X	0.312	0.303	0.305	0.313
	0.313	0.305	0.307	0.315
	0.321	0.313	0.315	0.322
	0.321	0.312	0.313	0.321
CIE Y	0.339	0.330	0.321	0.329
	0.329	0.321	0.311	0.319
	0.337	0.329	0.319	0.326
	0.348	0.339	0.329	0.337

Warm-White Bin Coordinates

2700K				
Bin	27K-1	27K-2	27K-3	27K-4
CIE X	0.469	0.456	0.447	0.459
	0.459	0.447	0.437	0.448
	0.470	0.459	0.448	0.459
	0.481	0.469	0.459	0.470
CIE Y	0.429	0.426	0.408	0.410
	0.410	0.408	0.389	0.392
	0.413	0.410	0.392	0.394
	0.432	0.429	0.410	0.413

3000K				
Bin	30K-1	30K-2	30K-3	30K-4
CIE X	0.443	0.430	0.422	0.435
	0.435	0.422	0.415	0.426
	0.447	0.435	0.426	0.437
	0.456	0.443	0.435	0.447
CIE Y	0.421	0.417	0.399	0.403
	0.403	0.399	0.381	0.385
	0.408	0.403	0.385	0.389
	0.426	0.421	0.403	0.408

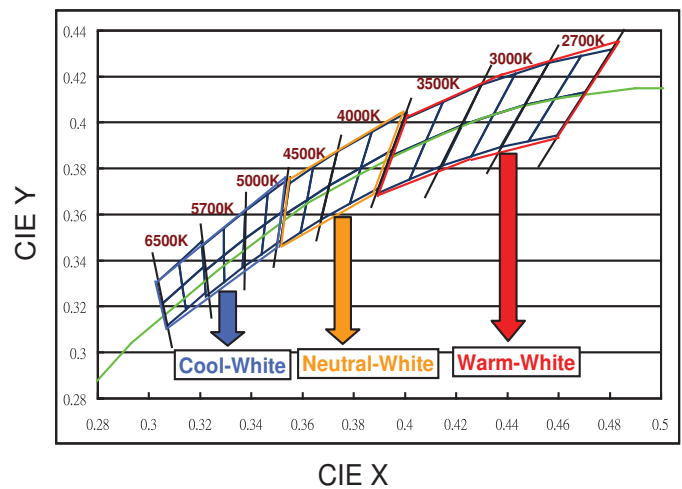
3500K				
Bin	35K-1	35K-2	35K-3	35K-4
CIE X	0.415	0.400	0.394	0.408
	0.408	0.394	0.389	0.402
	0.422	0.408	0.402	0.415
	0.430	0.415	0.408	0.422
CIE Y	0.409	0.402	0.385	0.392
	0.392	0.385	0.369	0.375
	0.399	0.392	0.375	0.381
	0.417	0.409	0.392	0.399

Natural-White Bin Coordinates

4000K				
Bin	40K-1	40K-2	40K-3	40K-4
CIE X	0.387	0.374	0.370	0.383
	0.383	0.370	0.367	0.378
	0.395	0.383	0.378	0.390
	0.401	0.387	0.383	0.395
CIE Y	0.396	0.387	0.373	0.380
	0.380	0.373	0.358	0.365
	0.388	0.380	0.365	0.372
	0.404	0.396	0.380	0.388

4500K				
Bin	45K-1	45K-2	45K-3	45K-4
CIE X	0.364	0.355	0.353	0.362
	0.362	0.353	0.351	0.359
	0.370	0.362	0.359	0.367
	0.374	0.364	0.362	0.370
CIE Y	0.381	0.374	0.360	0.366
	0.366	0.360	0.347	0.352
	0.373	0.366	0.352	0.358
	0.387	0.381	0.366	0.373

White Color Bin Structure



Chromaticity specification defined by ANSI

TECHNICAL DATA

HIGH POWER LED (EAHP3045 , EAHP1215, EAHP2024, EAHP1313, EAHP1919, EAHP3535 [COLOR])

BRIGHTNESS BINNING RANKS

EAHP3045/3535 (COLOR)

Wavelength (nm)

Group	Binning	Minimum Dominant	Maximum Dominant
		Wavelength (nm)	Wavelength (nm)
B Blue/ Royal- Blue	1	430	435
	2	435	440
	3	440	445
	4	445	450
	5	450	455
	6	455	460
	7	460	465
	8	465	470
G Green	1	520	525
	2	525	530
	3	530	535
	4	535	540
	5	540	545
	6	545	550
A Amber	1	580	582.5
	2	582.5	585
	3	585	587.5
	4	587.5	590
	5	590	592.5
	6	592.5	595
R Red	3	610	615
	4	615	620
	5	620	625
	6	625	630
	7	630	635
	1	635	640
	2	640	645
D Deep- Red	3	645	650
	4	650	655
	5	655	660
	6	660	665
	7	665	670
	8	670	675
	1	700	710
	2	710	715
F Far- Red	3	715	720
	4	720	725
	5	725	730
	6	730	735
	7	735	740
	8	740	745

EAHP1215, EAHP2024, EAHP1313, EAHP1919

Brightness (lm)

Luminous Flux Bins

Group	Binning	Minimum Photometric Flux (lm)	Maximum Photometric Flux (lm)
F	1	27	33
	2	33	39
	3	39	45
	4	45	52
	5	52	60
	6	60	70
	7	70	80
	8	80	90
	9	90	100
J	1	100	110
	2	110	120
	3	120	130
	4	130	140
	5	140	150
	6	150	160
	7	160	180
	8	180	200
	9	200	225
K	1	225	250
	2	250	275
	3	275	300
	4	300	325
	5	325	350
	6	350	375
	7	375	400
	8	400	425
	9	425	450
N	1	450	475
	2	475	500
	3	500	550
	4	550	600
	5	600	650
	6	650	700
	7	700	750
	8	750	800
	9	800	900
P	1	900	1000
	2	1000	1100
	3	1100	1200
	4	1200	1350
	5	1350	1500
	6	1500	1650
	7	1650	1800
	8	1800	2000
	9	2000	2200

TECHNICAL DATA

HIGH POWER LED (EAHP3045, EAHP3535 [COLOR]) FORWARD VOLTAGE BINNING RANKS

EAHP3045, EAHP3535 [COLOR]

Forward Voltage Bins

Group Name	Bins	
A	U1+U2+U3	
B	U2+U3+U4	
C	V1+V2+V3	
D	V2+V3+V4	
E	V3+V4+V5	
F	V1+V2	
G	V1	
Bin	Minimum Forward Voltage (V)	Maximum Forward Voltage (V)
U1	1.75	2.05
U2	2.05	2.35
U3	2.35	2.65
U4	2.65	2.95
V1	2.95	3.25
V2	3.25	3.55
V3	3.55	3.85
V4	3.85	4.15
V5	4.15	4.45

A22 (1W)

Forward Voltage Bins

Bin	Minimum Forward Voltage (V)	Maximum Forward Voltage (V)	
VD	13.5	14.7	
VE	14.7	15.9	
VF	VF-1	15.9	16.2
	VF-2	16.2	16.5
	VF-3	16.5	16.8
	VF-4	16.8	17.1
VG	VG-1	17.1	17.4
	VG-2	17.4	17.7
	VG-3	17.7	18.0
	VG-4	18.0	18.3

HIGH POWER LED (EAHP1215, EAHP2024 SERIES) FORWARD VOLTAGE BINNING RANKS

(EAHP1215, EAHP2024)

Forward Voltage Bins

Group	Binning	Minimum Forward Voltage(V)	Maximum Forward Voltage(V)
R	R1	9	10
	R2	10	11
	R3	11	12
	R4	12	13
	R5	13	14
	R6	14	15
	R7	15	16
	R8	16	17
	R9	17	18
T	T1	18	19
	T2	19	20
	T3	20	21
	T4	21	22
	T5	22	23
	T6	23	24
	T7	24	25
	T8	25	26
	T9	26	27
W	W1	27	29
	W2	29	31
	W3	31	33
	W4	33	35
	W5	35	37
	W6	37	39
	W7	39	41
	W8	41	43
	W9	43	45
X	X1	45	47
	X2	47	50
	X3	50	53
	X4	53	56
	X5	56	59
	X6	59	63
	X7	63	67
	X8	67	71
	X9	71	75
Y	Y1	75	79
	Y2	79	83
	Y3	83	88
	Y4	88	93
	Y5	93	98
	Y6	98	103
	Y7	103	108
	Y8	108	113

TECHNICAL DATA

For Lighting Application Only

LOW MIDDLE POWER LED - SMD TYPE CIE BINNING RANKS

Cool-White Bin Coordinates

5000K						
Bin	A	B	C	D	F	G
CIE X	0.3551	0.3464	0.3371	0.3533	0.3487	0.3482
	0.3464	0.3376	0.3366	0.3482	0.3425	0.3422
	0.3456	0.3371	0.3441	0.3477	0.3422	0.3418
	0.3487	0.3422	0.3448	0.3448	0.3482	0.3477
	0.3482	0.3425	0.3418	0.3441	--	--
	0.3533	0.3456	0.3422	0.3515	--	--
CIE Y	0.3760	0.3688	0.3493	0.3624	0.3629	0.3583
	0.3688	0.3616	0.3369	0.3583	0.3579	0.3533
	0.3604	0.3493	0.3428	0.3530	0.3533	0.3483
	0.3629	0.3533	0.3507	0.3507	0.3583	0.3530
	0.3583	0.3579	0.3483	0.3428	--	--
	0.3624	0.3604	0.3533	0.3487	--	--

5700K						
Bin	A	B	C	D	F	G
CIE X	0.3376	0.3292	0.3215	0.3371	0.3321	0.3321
	0.3292	0.3207	0.3222	0.3321	0.3261	0.3262
	0.3292	0.3215	0.3294	0.3320	0.3262	0.3263
	0.3321	0.3262	0.3293	0.3293	0.3321	0.3320
	0.3321	0.3261	0.3263	0.3294	--	--
	0.3371	0.3292	0.3262	0.3366	--	--
CIE Y	0.3616	0.3539	0.3353	0.3493	0.3490	0.3447
	0.3539	0.3462	0.3243	0.3447	0.3436	0.3395
	0.3464	0.3353	0.3306	0.3401	0.3395	0.3350
	0.3490	0.3395	0.3377	0.3377	0.3447	0.3401
	0.3447	0.3436	0.3350	0.3306	--	--
	0.3493	0.3464	0.3395	0.3369	--	--

6500K						
Bin	A	B	C	D	F	G
CIE X	0.3205	0.3117	0.3048	0.3213	0.3157	0.3161
	0.3117	0.3028	0.3068	0.3161	0.3093	0.3100
	0.3125	0.3048	0.3145	0.3166	0.3100	0.3106
	0.3157	0.3100	0.3136	0.3136	0.3161	0.3166
	0.3161	0.3093	0.3106	0.3145	--	--
	0.3213	0.3125	0.3100	0.3221	--	--
CIE Y	0.3481	0.3393	0.3209	0.3371	0.3360	0.3320
	0.3393	0.3304	0.3113	0.3320	0.3297	0.3259
	0.3328	0.3209	0.3187	0.3281	0.3259	0.3222
	0.3360	0.3259	0.3251	0.3251	0.3320	0.3281
	0.3320	0.3297	0.3222	0.3187	--	--
	0.3371	0.3328	0.3259	0.3261	--	--

Natural-White Bin Coordinates

4000K						
Bin	A	B	C	D	F	G
CIE X	0.4006	0.3871	0.3703	0.3952	0.3890	0.3873
	0.3871	0.3736	0.3670	0.3873	0.3793	0.3779
	0.3843	0.3703	0.3784	0.3854	0.3779	0.3764
	0.3890	0.3779	0.3810	0.3810	0.3873	0.3854
	0.3873	0.3793	0.3764	0.3784	--	--
	0.3952	0.3843	0.3779	0.3898	--	--
CIE Y	0.4044	0.3959	0.3726	0.3880	0.3887	0.3831
	0.3959	0.3874	0.3578	0.3831	0.3828	0.3773
	0.3858	0.3726	0.3647	0.3768	0.3773	0.3713
	0.3887	0.3773	0.3741	0.3741	0.3831	0.3768
	0.3831	0.3828	0.3713	0.3647	--	--
	0.3880	0.3858	0.3773	0.3716	--	--

4500K						
Bin	A	B	C	D	F	G
CIE X	0.3736	0.3642	0.3530	0.3703	0.3658	0.3648
	0.3642	0.3548	0.3512	0.3648	0.3592	0.3584
	0.3626	0.3530	0.3591	0.3637	0.3584	0.3575
	0.3658	0.3584	0.3607	0.3607	0.3648	0.3637
	0.3648	0.3592	0.3575	0.3591	--	--
	0.3703	0.3626	0.3584	0.3670	--	--
CIE Y	0.3874	0.3805	0.3601	0.3726	0.3738	0.3686
	0.3805	0.3736	0.3465	0.3686	0.3689	0.3640
	0.3714	0.3601	0.3522	0.3630	0.3640	0.3585
	0.3738	0.3640	0.3608	0.3608	0.3686	0.3630
	0.3686	0.3689	0.3585	0.3522	--	--
	0.3726	0.3714	0.3640	0.3578	--	--

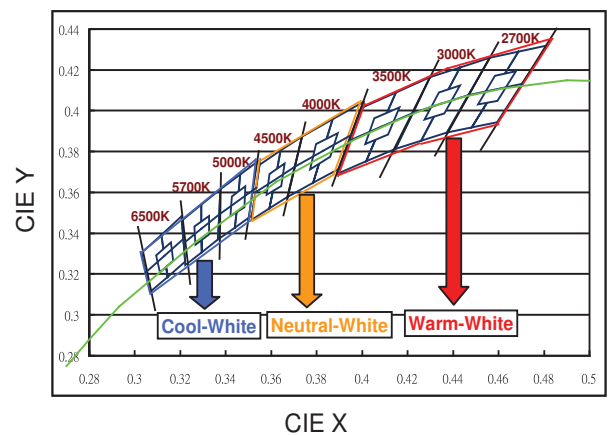
Warm-White Bin Coordinates

2700K						
Bin	A	B	C	D	F	G
CIE X	0.4813	0.4687	0.4465	0.4700	0.4667	0.4627
	0.4687	0.4562	0.4373	0.4627	0.4576	0.4539
	0.4621	0.4465	0.4483	0.4588	0.4539	0.4502
	0.4667	0.4539	0.4544	0.4544	0.4627	0.4588
	0.4627	0.4576	0.4502	0.4483	--	--
	0.4700	0.4621	0.4539	0.4593	--	--
CIE Y	0.4319	0.4289	0.4071	0.4126	0.4180	0.4109
	0.4289	0.4260	0.3893	0.4109	0.4158	0.4088
	0.4169	0.4071	0.3919	0.4041	0.4088	0.4020
	0.4180	0.4088	0.4030	0.4030	0.4109	0.4041
	0.4109	0.4158	0.4020	0.3919	--	--
	0.4126	0.4169	0.4088	0.3944	--	--

3000K						
Bin	A	B	C	D	F	G
CIE X	0.4562	0.4430	0.4221	0.4465	0.4422	0.4388
	0.4430	0.4299	0.4147	0.4388	0.4328	0.4297
	0.4375	0.4221	0.4259	0.4355	0.4297	0.4267
	0.4422	0.4297	0.4311	0.4311	0.4388	0.4355
	0.4388	0.4328	0.4267	0.4259	--	--
	0.4465	0.4375	0.4297	0.4373	--	--
CIE Y	0.4260	0.4212	0.3984	0.4071	0.4113	0.4043
	0.4212	0.4165	0.3814	0.4043	0.4079	0.4011
	0.4096	0.3984	0.3853	0.3977	0.4011	0.3946
	0.4113	0.4011	0.3962	0.3962	0.4043	0.3977
	0.4043	0.4079	0.3946	0.3853	--	--
	0.4071	0.4096	0.4011	0.3893	--	--

3500K						
Bin	A	B	C	D	F	G
CIE X	0.4299	0.4148	0.3943	0.4221	0.4159	0.4134
	0.4148	0.3996	0.3889	0.4134	0.4051	0.4029
	0.4106	0.3943	0.4018	0.4108	0.4029	0.4006
	0.4159	0.4029	0.4057	0.4057	0.4134	0.4108
	0.4134	0.4051	0.4006	0.4018	--	--
	0.4221	0.4106	0.4029	0.4147	--	--
CIE Y	0.4165	0.4090	0.3853	0.3984	0.4007	0.3943
	0.4090	0.4015	0.3690	0.3943	0.3954	0.3893
	0.3981	0.3853	0.3752	0.3878	0.3893	0.3829
	0.4007	0.3893	0.3853	0.3853	0.3943	0.3878
	0.3943	0.3954	0.3829	0.3752	--	--
	0.3984	0.3981	0.3893	0.3814	--	--

White Color Bin Structure



Chromaticity specification defined by ANSI

TECHNICAL DATA

For Lighting Application Only

LOW MIDDLE POWER LED - SURFACE MOUNT PLCC TYPE LED BRIGHTNESS BINNING RANKS

Luminous Flux Bins

Unit : lm

Bin code	Range	
	Min.	Max.
D1	0.5	1.0
D2	1.0	1.5
D3	1.5	2.0
D4	2.0	2.5
D5	2.5	3.0
D6	3.0	3.5
D7	3.5	4.0
D8	4.0	4.5
D9	4.5	5.0
BA	5.0	5.5
B1	5.5	6.0
B2	6.0	6.5
B3	6.5	7.0
B4	7.0	7.5
B5	7.5	8.0
B6	8.0	8.5
B7	8.5	9.0
B8	9.0	9.5
B9	9.5	10.0
L1	10.0	11.0
L2	11.0	12.0
L3	12.0	13.0
L4	13.0	14.0
L5	14.0	15.0
L6	15.0	16.0
L7	16.0	17.0
L8	17.0	18.0
L9	18.0	19.0
M3	19.0	21.0
M4	21.0	24.0
N3	24.0	27.0
N4	27.0	33.0
P3	33.0	39.0
P4	39.0	45.0
Q3	45.0	52.0
NB	32.0	36.0
PA	36.0	40.0
PB	40.0	45.0
QA	45.0	50.0
R1	50.0	55.0
R2	55.0	60.0
R3	60.0	65.0
R4	65.0	70.0
R5	70.0	76.0
R6	76.0	83.0
R7	83.0	90.0
R8	90.0	100.0
S1	100.0	110.0
S2	110.0	120.0
S3	120.0	130.0

VF Group Bin Code

Unit : V

Forward Voltage Group	Bin	Min.	Max.	
B2	B42	35	2.80	2.90
		36	2.90	3.00
		37	3.00	3.10
		38	3.10	3.20
		39	3.20	3.30
		40	3.30	3.40
		41	3.40	3.50
		42	3.50	3.60

TECHNICAL DATA

SMD LED : SURFACE MOUNT CHIP LED (PCB TYPE) BRIGHTNESS BIN SELECTION

Luminous Intensity Groups

Unit : mcd

	C0: 0.28 ... 0.45	Q ▶	Q1: 72.0 ... 90.0
	D0: 0.45 ... 0.70		Q2: 90.0 ... 112
	E0: 0.70 ... 1.1	R ▶	R1: 112 ... 140
	F0: 1.1 ... 1.8		R2: 140 ... 180
	G0: 1.8 ... 2.8	S ▶	S1: 180 ... 225
	H0: 2.8 ... 4.5		S2: 225 ... 285
	J0: 4.5 ... 7.2	T ▶	T1: 285 ... 360
	K0: 7.2 ... 11.5		T2: 360 ... 450
L ▶	L1: 11.5 ... 14.5	U ▶	U1: 450 ... 565
	L2: 14.5 ... 18.0		U2: 565 ... 715
M ▶	M1: 18.0 ... 22.5		V0: 715 ... 1120
	M2: 22.5 ... 28.5		W0: 1120 ... 1800
N ▶	N1: 28.5 ... 36.0		X0: 1800 ... 2850
	N2: 36.0 ... 45.0		Y0: 2850 ... 4500
P ▶	P1: 45.0 ... 57.0		
	P2: 57.0 ... 72.0		

Note: The luminous intensity data did not include $\pm 15\%$ testing tolerance.

V_F (Forward Voltage Spec. Setup)

Unit : V

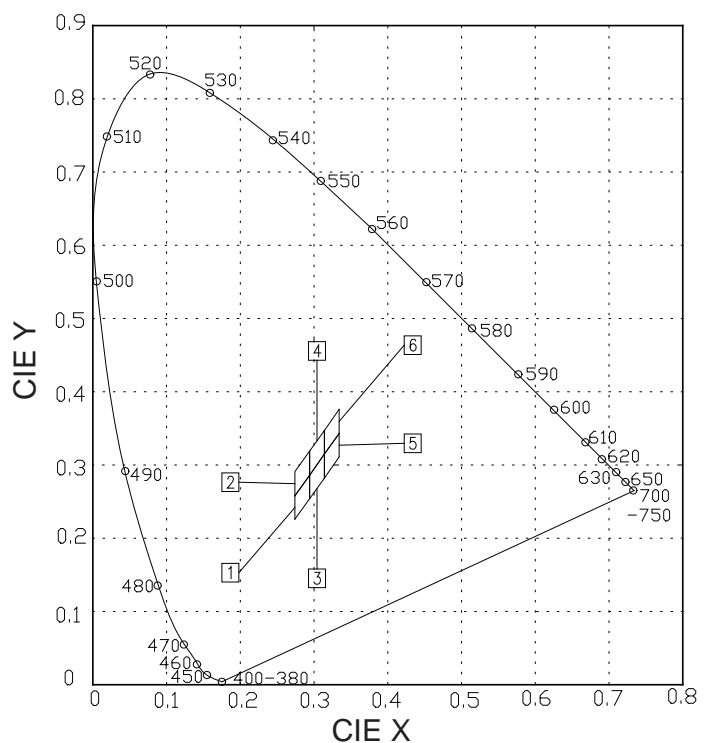
Forward Voltage Groups	Bin	Min.	Max.
	00	1.55	1.75
	0	1.75	1.95
	1	1.95	2.15
	2	2.15	2.35
	3	2.35	2.55
	4	2.55	2.75
	5	2.75	3.05
	6	3.05	3.35
	7	3.35	3.65
	8	3.65	3.95
	10	2.70	2.90
	11	2.90	3.10
	12	3.10	3.30
	13	3.30	3.50
	14	3.50	3.70
	15	2.70	2.85
	16	2.85	3.00
	17	3.00	3.15
	18	3.15	3.30

Note: The forward voltage data did not include $\pm 0.1V$ testing tolerance.

Bin Coordinate

Group	Bin Code	CIE_X	CIE_Y
A	1	0.274	0.226
		0.274	0.258
		0.294	0.286
		0.294	0.254
	2	0.274	0.258
		0.274	0.291
		0.294	0.319
		0.294	0.286
	3	0.294	0.254
		0.294	0.286
		0.314	0.315
		0.314	0.282
	4	0.294	0.286
		0.294	0.319
		0.314	0.347
		0.314	0.315
	5	0.314	0.282
		0.314	0.315
		0.334	0.343
		0.334	0.311
	6	0.314	0.315
		0.314	0.347
		0.334	0.376
		0.334	0.343

Bin Structure (White Light)



TECHNICAL DATA

For Lighting Application Only

SMD LED : SURFACE MOUNT PLCC LED (REFLECTOR) / LOW POWER LED
BRIGHTNESS BIN SELECTION

Luminous Intensity Groups

Unit : mcd

Bin Code	Min.	Max.	Bin Code	Min.	Max.
D1	0.5	1.0	NB	32.0	36.0
D2	1.0	1.5	PA	36.0	40.0
D3	1.5	2.0	PB	40.0	45.0
D4	2.0	2.5	QA	45.0	50.0
D5	2.5	3.0	R1	50.0	55.0
D6	3.0	3.5	R2	55.0	60.0
D7	3.5	4.0	R3	60.0	65.0
D8	4.0	4.5	R4	65.0	70.0
D9	4.5	5.0	R5	70.0	76.0
BA	5.0	5.5	R6	76.0	83.0
B1	5.5	6.0	R7	83.0	90.0
B2	6.0	6.5	R8	90.0	100.0
B3	6.5	7.0	S1	100.0	110.0
B4	7.0	7.5	S2	110.0	120.0
B5	7.5	8.0	S3	120.0	130.0
B6	8.0	8.5	S4	130.0	140.0
B7	8.5	9.0	S5	140.0	150.0
B8	9.0	9.5	S6	150.0	160.0
B9	9.5	10.0	S7	160.0	170.0
L1	10.0	11.0	S8	170.0	180.0
L2	11.0	12.0	T1	180.0	190.0
L3	12.0	13.0	T2	190.0	200.0
L4	13.0	14.0	T3	200.0	220.0
L5	14.0	15.0	T4	220.0	240.0
L6	15.0	16.0	T5	240.0	260.0
L7	16.0	17.0	T6	260.0	280.0
L8	17.0	18.0	T7	280.0	300.0
L9	18.0	19.0	T8	300.0	320.0
M3	19.0	21.0			
M4	21.0	24.0			
N3	24.0	27.0			
N4	27.0	33.0			
P3	33.0	39.0			
P4	39.0	45.0			
Q3	45.0	52.0			

V_F (Forward Voltage Spec. Setup)

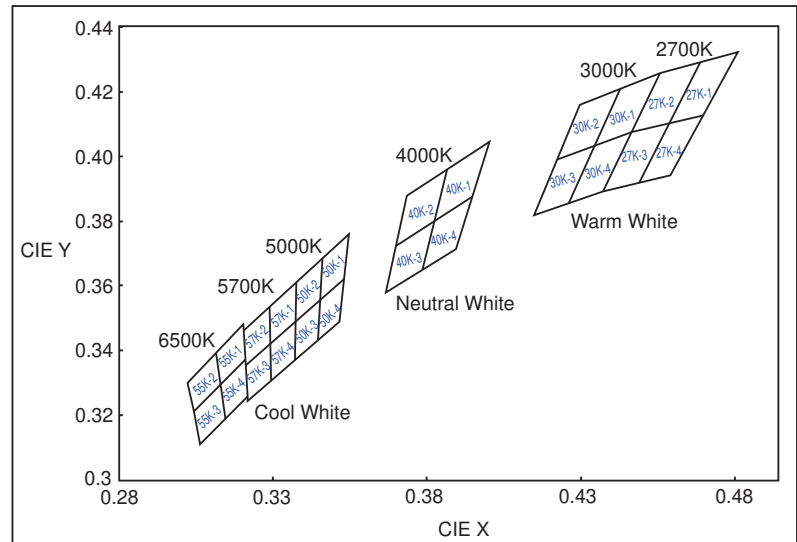
Unit : V (I_F=150mA)

Bin Group	Bin Code	Min.	Max.	
B42	B2	35	2.8	2.9
		36	2.9	3.0
		37	3.0	3.1
		38	3.1	3.2
		39	3.2	3.3
		40	3.3	3.4
		41	3.4	3.5
		42	3.5	3.6

Table of Color Rendering Index

Symbol	Description
M	CRI(Min.) : 60
N	CRI(Min.) : 65
L	CRI(Min.) : 70
Q	CRI(Min.) : 75
K	CRI(Min.) : 80
P	CRI(Min.) : 85
H	CRI(Min.) : 90

Bin Structure



TECHNICAL DATA

SMD LED (EAPL3810, EAPL4210, EAPL3020) BRIGHTNESS BIN SELECTION

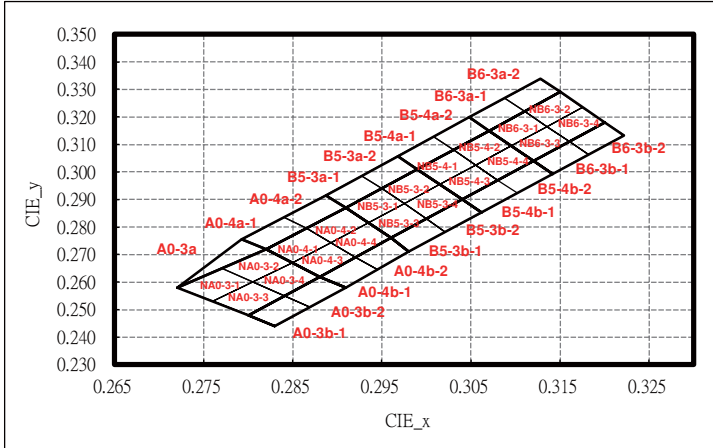
Bin Coordinate

CCT	Bin Code	CIE_x	CIE_y	Bin Code	CIE_x	CIE_y
6500K	65K-1	0.3205	0.3481	65K-3	0.3131	0.3290
		0.3117	0.3393		0.3048	0.3209
		0.3131	0.3290		0.3068	0.3113
		0.3213	0.3371		0.3145	0.3187
	65K-2	0.3117	0.3393	65K-4	0.3213	0.3371
		0.3028	0.3304		0.3131	0.3290
		0.3048	0.3209		0.3145	0.3187
		0.3131	0.3290		0.3221	0.3261
5700K	57K-1	0.3376	0.3616	57K-3	0.3293	0.3423
		0.3292	0.3539		0.3215	0.3353
		0.3293	0.3423		0.3222	0.3243
		0.3371	0.3493		0.3294	0.3306
	57K-2	0.3292	0.3539	57K-4	0.3371	0.3493
		0.3207	0.3462		0.3293	0.3423
		0.3215	0.3353		0.3294	0.3306
		0.3293	0.3423		0.3366	0.3369
5000K	50K-1	0.3551	0.3760	50K-3	0.3452	0.3558
		0.3464	0.3688		0.3371	0.3493
		0.3452	0.3558		0.3366	0.3369
		0.3533	0.3624		0.3441	0.3428
	50K-2	0.3464	0.3688	50K-4	0.3533	0.3624
		0.3376	0.3616		0.3452	0.3558
		0.3371	0.3493		0.3441	0.3428
		0.3452	0.3558		0.3515	0.3487
4000K	40K-1	0.4006	0.4044	40K-3	0.3828	0.3803
		0.3871	0.3959		0.3703	0.3726
		0.3828	0.3803		0.3670	0.3578
		0.3952	0.3880		0.3784	0.3647
	40K-2	0.3871	0.3959	40K-4	0.3952	0.3880
		0.3736	0.3874		0.3828	0.3803
		0.3703	0.3726		0.3784	0.3647
		0.3828	0.3803		0.3898	0.3716
3000K	30K-1	0.4562	0.4260	30K-3	0.4345	0.4033
		0.4431	0.4213		0.4223	0.3990
		0.4345	0.4033		0.4147	0.3814
		0.4468	0.4077		0.4260	0.3854
	30K-2	0.4431	0.4213	30K-4	0.4468	0.4077
		0.4299	0.4165		0.4345	0.4033
		0.4223	0.3990		0.4260	0.3854
		0.4345	0.4033		0.4373	0.3893
2700K	27K-1	0.4813	0.4319	27K-3	0.4585	0.4104
		0.4688	0.4290		0.4468	0.4077
		0.4585	0.4104		0.4373	0.3893
		0.4703	0.4132		0.4483	0.3919
	27K-2	0.4688	0.4290	27K-4	0.4703	0.4132
		0.4562	0.4260		0.4585	0.4104
		0.4468	0.4077		0.4483	0.3919
			0.4104			0.3944

TECHNICAL DATA

SMD LED (EAPL3810, EAPL4210, EAPL3020) BRIGHTNESS BIN SELECTION

Chromaticity Diagram



Bin Code of Chromaticity Coordinates

Bin Code	CIE_x	CIE_y	Bin Code	CIE_x	CIE_y	Bin Code	CIE_x	CIE_y	Bin Code	CIE_x	CIE_y		
NA0-3-1	0.2760	0.2530	NA0-3-2	0.2805	0.2600	NA0-4-1	0.2850	0.2670	NA0-4-2	0.2893	0.2743		
	0.2720	0.2580		0.2770	0.2650		0.2820	0.2720		0.2865	0.2795	0.2910	0.2870
	0.2770	0.2650		0.2805	0.2600		0.2850	0.2670		0.2893	0.2743	0.2935	0.2815
NA0-3-3	0.2800	0.2480	NA0-3-4	0.2840	0.2550	NA0-4-3	0.2880	0.2620	NA0-4-4	0.2920	0.2690		
	0.2760	0.2530		0.2805	0.2600		0.2850	0.2670		0.2893	0.2743	0.2935	0.2815
	0.2805	0.2600		0.2880	0.2620		0.2920	0.2690		0.2960	0.2760	0.2960	0.2760
A0-3b-1	0.2830	0.2440	A0-3b-2	0.2870	0.2510	A0-4b-1	0.2910	0.2580	A0-4b-2	0.2945	0.2645		
	0.2800	0.2480		0.2840	0.2550		0.2880	0.2620		0.2920	0.2690	0.2920	0.2690
	0.2840	0.2550		0.2880	0.2620		0.2920	0.2690		0.2960	0.2760	0.2960	0.2760
A0-4a-1	0.2870	0.2510	A0-4a-2	0.2910	0.2580	B5-3a-1	0.2945	0.2645	B5-3a-2	0.2980	0.2710		
	0.2820	0.2720		0.2865	0.2795		0.2910	0.2870		0.2950	0.2940	0.2950	0.2940
	0.2793	0.2755		0.2840	0.2836		0.2887	0.2916		0.2887	0.2916	0.2928	0.2987
A0-3a	0.2840	0.2836	A0-3b-1	0.2887	0.2916	NB5-3-1	0.2928	0.2987	NB5-3-2	0.2968	0.3058		
	0.2865	0.2795		0.2910	0.2870		0.2950	0.2940		0.2990	0.3010	0.2990	0.3010
	0.2720	0.2580		0.2935	0.2815		0.2935	0.2815		0.2975	0.2885	0.2975	0.2885
NB5-3-3	0.2793	0.2755	NB5-3-4	0.2910	0.2870	B5-4b-1	0.2950	0.2940	B5-4b-2	0.2950	0.2940		
	0.2820	0.2720		0.2975	0.2885		0.3062	0.2853		0.3102	0.2923	0.2975	0.2885
	0.2720	0.2580		0.2910	0.2870		0.3040	0.2900		0.3080	0.2970	0.3080	0.2970
Bin Code	CIE_x	CIE_y	Bin Code	CIE_x	CIE_y	Bin Code	CIE_x	CIE_y	Bin Code	CIE_x	CIE_y		
	0.2960	0.2760		0.3000	0.2830		0.3062	0.2853		0.3102	0.2923	0.3062	0.2853
	0.2935	0.2815		0.2975	0.2885		0.3040	0.2900		0.3080	0.2970	0.3040	0.2900
B5-3b-1	0.2975	0.2885	B5-3b-2	0.3015	0.2955	B6-3a-1	0.3080	0.2970	B6-3a-2	0.3120	0.3040		
	0.3000	0.2830		0.3040	0.2900		0.3102	0.2923		0.3142	0.2993	0.3102	0.2923
	0.2980	0.2710		0.3021	0.2782		0.3070	0.3150		0.3110	0.3220	0.3070	0.3150
B5-4a-1	0.2960	0.2760	B5-4a-2	0.3000	0.2830	NB6-3-1	0.3048	0.3198	NB6-3-2	0.3088	0.3268		
	0.3000	0.2830		0.3040	0.2900		0.3088	0.3268		0.3128	0.3338	0.3088	0.3198
	0.3021	0.2782		0.3062	0.2853		0.3110	0.3220		0.3150	0.3290	0.3110	0.3220
NB5-4-1	0.2990	0.3010	NB5-4-2	0.3030	0.3080	NB6-3-3	0.3095	0.3095	NB6-3-4	0.3135	0.3165		
	0.2968	0.3058		0.3008	0.3128		0.3070	0.3150		0.3110	0.3220	0.3135	0.3165
	0.3008	0.3128		0.3048	0.3198		0.3110	0.3220		0.3150	0.3290	0.3110	0.3220
NB5-4-3	0.3030	0.3080	NB5-4-4	0.3070	0.3150	B6-3b-1	0.3135	0.3165	B6-3b-2	0.3175	0.3235		
	0.3015	0.2955		0.3055	0.3025		0.3120	0.3040		0.3160	0.3110	0.3160	0.3110
	0.2990	0.3010		0.3030	0.3080		0.3095	0.3095		0.3135	0.3165	0.3175	0.3235
NB5-3-3	0.3030	0.3080	NB5-3-4	0.3070	0.3150	B6-3b-2	0.3160	0.3110	B6-3b-2	0.3200	0.3180		
	0.3055	0.3025		0.3095	0.3095		0.3142	0.2993		0.3182	0.3063	0.3142	0.2993
	0.3080	0.2970		0.3120	0.3040		0.3160	0.3110		0.3200	0.3180	0.3160	0.3110
NB5-4-3	0.3080	0.2970	NB5-4-4	0.3120	0.3040	B6-3b-1	0.3182	0.3063	B6-3b-2	0.3222	0.3133		
	0.3015	0.2955		0.3055	0.3025		0.3160	0.3110		0.3200	0.3180	0.3160	0.3110
	0.3055	0.3025		0.3095	0.3095		0.3142	0.2993		0.3182	0.3063	0.3222	0.3133

TECHNICAL DATA

SMD LED (EAPL3810, EAPL4210, EAPL3020) BRIGHTNESS BIN SELECTION

Luminous Intensity Groups

Unit : mcd

Bin	Min.	Max.	Bin	Min.	Max.	Bin	Min.	Max.
01	500	600	23	1250	1300	45	2500	2600
02	600	630	24	1300	1350	46	2600	2700
03	630	660	25	1350	1400	47	2700	2800
04	660	690	26	1400	1450	48	2800	2900
05	690	720	27	1450	1500	49	2900	3000
06	720	750	28	1500	1550	50	3000	3100
07	750	780	29	1550	1600	51	3100	3200
08	780	810	30	1600	1650			
09	810	840	31	1650	1700			
10	840	870	32	1700	1750			
11	870	900	33	1750	1800			
12	900	930	34	1800	1850			
13	930	960	35	1850	1900	H42	2200	2250
14	960	990	36	1900	1950	H43	2250	2300
15	990	1020	37	1950	2000	H44	2300	2350
16	1020	1050	38	2000	2050	H45	2350	2400
17	1050	1080	39	2050	2100	H46	2400	2450
18	1080	1110	40	2100	2150	H47	2450	2500
19	1110	1140	41	2150	2200	H48	2500	2550
20	1140	1170	42	2200	2300	H49	2550	2600
21	1170	1200	43	2300	2400	H50	2600	2650
22	1200	1250	44	2400	2500	H51	2650	2700

Note: Tolerance of Luminous Intensity: $\pm 7\%$.

Luminous Flux

Unit : lm

Bin	Min.	Max.
40	4.00	4.25
42	4.25	4.50
45	4.50	4.75
47	4.75	5.00
50	5.00	5.25
52	5.25	5.50
55	5.50	5.75
57	5.75	6.00
60	6.00	6.25
62	6.25	6.50
65	6.50	6.75
67	6.75	7.00
70	7.00	7.25
72	7.25	7.50
75	7.50	7.75
77	7.75	8.00
80	8.00	8.25
82	8.25	8.50

V_F (Forward Voltage Spec. Setup)

Unit : V

Groups								Bin	Min.	Max.	Groups			Bin	Min.	Max.	Groups			Bin	Min.	Max.
0	1	2	3	4	5	6	7	8	D	P	A	G	9	6-1	2.95	3.05	6-1-1	2.95	3.00	6-11	3.00	3.05
														6-2	3.05	3.15	6-1-2	3.00	3.05	6-2	3.05	3.15
	7-1	3.15	3.25	6-2-1	3.05	3.10	7-1	3.15						3.25								
	7-2	3.25	3.35	6-2-2	3.10	3.15	7-2	3.25						3.35								
	8-1	3.35	3.45	7-1-1	3.15	3.20	8-1	3.35						3.45								
	8-2	3.45	3.55	7-1-2	3.20	3.25	8-11	3.45						3.50								
	9-1	3.55	3.65	7-2-1	3.25	3.30																
	9-2	3.65	3.75	7-2-2	3.30	3.35																
				8-1-1	3.35	3.40																
				8-1-2	3.40	3.45																

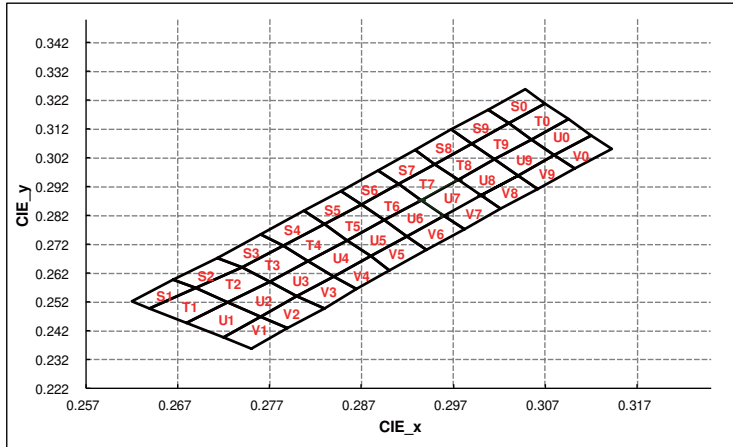
Groups											Bin	Min.	Max.		
W	S	R	L	N	B	C	K	H	E	Q	F	Y	4-2-3	2.7	2.8
													5-1-3	2.8	2.9
													5-2-3	2.9	3.0
													6-1-3	3.0	3.1
													6-2-3	3.1	3.2
													7-1-3	3.2	3.3
													7-2-3	3.3	3.4
													8-1-3	3.4	3.5

Note: Tolerance of Forward Voltage: $\pm 0.05V$.

TECHNICAL DATA

SMD LED (EAPL38108) BRIGHTNESS BIN SELECTION

Chromaticity Diagram



Bin Code of Chromaticity Coordinates

Bin	CIE_x	CIE_y	Bin	CIE_x	CIE_y	Bin	CIE_x	CIE_y	Bin	CIE_x	CIE_y	Bin	CIE_x	CIE_y		
S1	0.2665	0.2600	S2	0.2713	0.2675	S3	0.2740	0.2640	S4	0.2785	0.2715	S5	0.2830	0.2790		
	0.2690	0.2570		0.2740	0.2640		0.2713	0.2675		0.2760	0.2756		0.2760	0.2756	0.2807	0.2836
	0.2640	0.2500		0.2690	0.2570		0.2760	0.2756		0.2807	0.2836		0.2830	0.2790	0.2848	0.2907
	0.2620	0.2525		0.2665	0.2600		0.2785	0.2715		0.2830	0.2790		0.2870	0.2860	0.2870	0.2860
T1	0.2680	0.2450	T2	0.2725	0.2520	T3	0.2770	0.2590	T4	0.2813	0.2663	T5	0.2855	0.2735		
	0.2640	0.2500		0.2690	0.2570		0.2740	0.2640		0.2785	0.2715		0.2785	0.2715	0.2830	0.2790
	0.2690	0.2570		0.2740	0.2640		0.2785	0.2715		0.2830	0.2790		0.2830	0.2790	0.2870	0.2860
	0.2725	0.2520		0.2770	0.2590		0.2813	0.2663		0.2855	0.2735		0.2855	0.2735	0.2895	0.2805
U1	0.2720	0.2400	U2	0.2760	0.2470	U3	0.2800	0.2540	U4	0.2840	0.2610	U5	0.2880	0.2680		
	0.2680	0.2450		0.2725	0.2520		0.2770	0.2590		0.2813	0.2663		0.2813	0.2663	0.2855	0.2735
	0.2725	0.2520		0.2770	0.2590		0.2813	0.2663		0.2855	0.2735		0.2855	0.2735	0.2895	0.2805
	0.2760	0.2470		0.2800	0.2540		0.2840	0.2610		0.2880	0.2680		0.2880	0.2680	0.2920	0.2750
V1	0.2750	0.2360	V2	0.2790	0.2430	V3	0.2830	0.2500	V4	0.2865	0.2565	V5	0.2900	0.2630		
	0.2720	0.2400		0.2760	0.2470		0.2800	0.2540		0.2840	0.2610		0.2840	0.2610	0.2880	0.2680
	0.2760	0.2470		0.2800	0.2540		0.2840	0.2610		0.2880	0.2680		0.2880	0.2680	0.2920	0.2750
	0.2790	0.2430		0.2830	0.2500		0.2865	0.2565		0.2900	0.2630		0.2900	0.2630	0.2941	0.2702
S6	0.2870	0.2860	S7	0.2910	0.2930	S8	0.2950	0.3000	S9	0.2990	0.3070	S0	0.3030	0.3140		
	0.2848	0.2907		0.2888	0.2978		0.2928	0.3048		0.2968	0.3118		0.2968	0.3118	0.3008	0.3188
	0.2888	0.2978		0.2928	0.3048		0.2968	0.3118		0.3008	0.3188		0.3008	0.3188	0.3048	0.3258
	0.2910	0.2930		0.2950	0.3000		0.2990	0.3070		0.3030	0.3140		0.3030	0.3140	0.3070	0.3210
T6	0.2895	0.2805	T7	0.2935	0.2875	T8	0.2975	0.2945	T9	0.3015	0.3015	T0	0.3055	0.3085		
	0.2870	0.2860		0.2910	0.2930		0.2950	0.3000		0.2990	0.3070		0.2990	0.3070	0.3030	0.3140
	0.2910	0.2930		0.2950	0.3000		0.2990	0.3070		0.3030	0.3140		0.3030	0.3140	0.3070	0.3210
	0.2935	0.2875		0.2975	0.2945		0.3015	0.3015		0.3055	0.3085		0.3055	0.3085	0.3095	0.3155
U6	0.2920	0.2750	U7	0.2960	0.2820	U8	0.3000	0.2890	U9	0.3040	0.2960	U0	0.3080	0.3030		
	0.2895	0.2805		0.2935	0.2875		0.2975	0.2945		0.3015	0.3015		0.3015	0.3015	0.3055	0.3085
	0.2935	0.2875		0.2975	0.2945		0.3015	0.3015		0.3055	0.3085		0.3055	0.3085	0.3095	0.3155
	0.2960	0.2820		0.3000	0.2890		0.3040	0.2960		0.3080	0.3030		0.3080	0.3030	0.3120	0.3100
V6	0.2941	0.2702	V7	0.2982	0.2773	V8	0.3000	0.2890	V9	0.3062	0.2913	V0	0.3102	0.2983		
	0.2920	0.2750		0.2960	0.2820		0.3040	0.2960		0.3040	0.2960		0.3040	0.2960	0.3080	0.3030
	0.2960	0.2820		0.3000	0.2890		0.3062	0.2913		0.3080	0.3030		0.3080	0.3030	0.3120	0.3100
	0.2982	0.2773		0.3022	0.2843		0.3022	0.2843		0.3102	0.2983		0.3102	0.2983	0.3142	0.3053

TECHNICAL DATA

SMD LED (EAPL3810) BRIGHTNESS BIN SELECTION

Luminous Intensity Groups

Unit : mcd

Bin	Min.	Max.	Bin	Min.	Max.	Bin	Min.	Max.
01	500	600	1	0	50	45	0	100
02	600	630	2	50	100	46	100	200
03	630	660	3	100	150	47	200	300
04	660	690	4	150	200	48	300	400
05	690	720	5	200	250	49	400	500
06	720	750	28	250	300	50	500	600
07	750	780	29	300	350	51	600	700
08	780	810	30	350	400	52	700	800
09	810	840	31	400	450	H40		
10	840	870	32	450	500	H41		
11	870	900	33	500	550	H42		
12	900	930	34	550	600	H43		
13	930	960	35	600	650	H44		
14	960	990	36	650	700	H45		
15	990	1020	37	700	750	H46		
16	1020	1050	38	750	800	H47		
17	1050	1080	39	800	850	H48		
18	1080	1110	40	850	900	H49		
19	1110	1140	41	900	950	H50		
20	1140	1170	42	950	1050	H51		
21	1170	1200	43	1050	1150	H52		

Note: Tolerance of Luminous Intensity: $\pm 7\%$.

Luminous Flux

Unit : lm

Bin	Min.	Max.
40	4.00	4.25
42	4.25	4.50
45	4.50	4.75
47	4.75	5.00
50	5.00	5.25
52	5.25	5.50
55	5.50	5.75
57	5.75	6.00
60	6.00	6.25
62	6.25	6.50
65	6.50	6.75
67	6.75	7.00
70	7.00	7.25
72	7.25	7.50
75	7.50	7.75
77	7.75	8.00
80	8.00	8.25
82	8.25	8.50

V_F (Forward Voltage Spec. Setup)

Unit : V

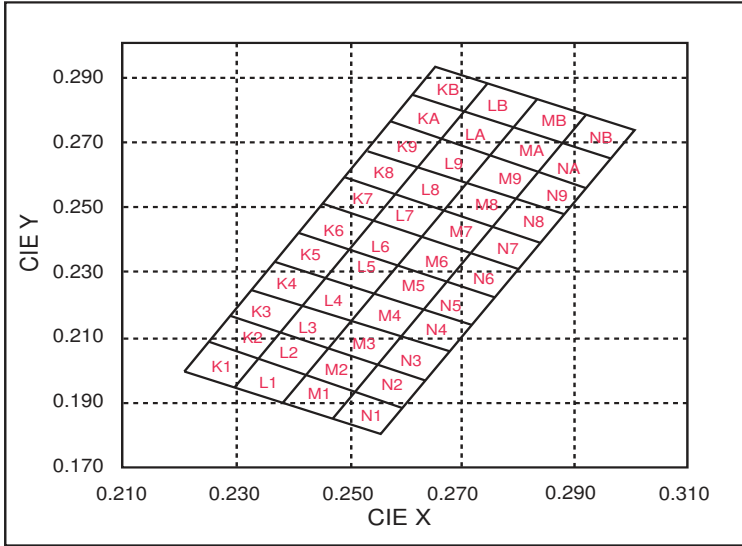
Bin	Min.	Max.
A	2.70	2.75
B	2.75	2.80
C	2.80	2.85
D	2.85	2.90
E	2.90	2.95
F	2.95	3.00
G	3.00	3.05
H	3.05	3.10
I	3.10	3.15
J	3.15	3.20
K	3.20	3.25
L	3.25	3.30
M	3.30	3.35
N	3.35	3.40
O	3.40	3.45
P	3.45	3.50
Q	3.50	3.55
R	3.55	3.60
S	3.60	3.65
T	3.65	3.70
U	3.70	3.75
V	3.75	3.80

Note: Tolerance of Forward Voltage: $\pm 0.05V$.

TECHNICAL DATA

SMD LED (ELHP5630 SERIES) BRIGHTNESS BIN SELECTION

Chromaticity Diagram



Bin Code of Chromaticity Coordinates

Bin	CIE_x	CIE_y	Bin	CIE_x	CIE_y	Bin	CIE_x	CIE_y	Bin	CIE_x	CIE_y	Bin	CIE_x	CIE_y	Bin	CIE_x	CIE_y	Bin	CIE_x	CIE_y		
KY	0.2165	0.1914	KZ	0.2206	0.1998	K1	0.2247	0.2082	K2	0.2288	0.2166	K3	0.2329	0.2250	K4	0.2457	0.2287	K5	0.2410	0.2419		
	0.2124	0.1829		0.2165	0.1913		0.2206	0.1997		0.2247	0.2082		0.2288	0.2166		0.2329	0.2250		0.2416	0.2202	0.2370	0.2335
	0.2211	0.1781		0.2252	0.1865		0.2293	0.1949		0.2334	0.2034		0.2375	0.2118		0.2416	0.2202		0.2370	0.2335	0.2497	0.2371
	0.2252	0.1866		0.2293	0.1950		0.2334	0.2034		0.2375	0.2118		0.2416	0.2202		0.2544	0.2239		0.2497	0.2371		
LY	0.2252	0.1866	LZ	0.2293	0.1950	L1	0.2334	0.1949	L2	0.2375	0.2118	L3	0.2416	0.2202	L4	0.2544	0.2239	L5	0.2497	0.2371		
	0.2211	0.1781		0.2252	0.1865		0.2293	0.1949		0.2334	0.2034		0.2375	0.2118		0.2416	0.2202		0.2544	0.2239	0.2497	0.2371
	0.2298	0.1733		0.2339	0.1817		0.2380	0.1901		0.2421	0.1986		0.2462	0.2070		0.2503	0.2154		0.2631	0.2191	0.2584	0.2323
	0.2339	0.1818		0.2380	0.1902		0.2421	0.1986		0.2462	0.2070		0.2503	0.2154		0.2631	0.2191		0.2584	0.2323		
MY	0.2339	0.1818	MZ	0.2380	0.1817	M1	0.2421	0.1986	M2	0.2462	0.1986	M3	0.2503	0.2154	M4	0.2590	0.2106	M5	0.2631	0.2191		
	0.2298	0.1733		0.2339	0.1817		0.2380	0.1901		0.2421	0.1986		0.2462	0.2070		0.2503	0.2154		0.2631	0.2191	0.2584	0.2323
	0.2385	0.1685		0.2426	0.1769		0.2467	0.1853		0.2508	0.1938		0.2549	0.2022		0.2590	0.2106		0.2631	0.2191	0.2671	0.2275
	0.2426	0.1770		0.2467	0.1854		0.2508	0.1938		0.2549	0.2022		0.2590	0.2106		0.2631	0.2191		0.2671	0.2275		
NY	0.2426	0.1770	NZ	0.2467	0.1854	N1	0.2508	0.1938	N2	0.2549	0.2022	N3	0.2590	0.2106	N4	0.2718	0.2143	N5	0.2671	0.2275		
	0.2385	0.1685		0.2426	0.1769		0.2467	0.1853		0.2508	0.1938		0.2549	0.2022		0.2590	0.2106		0.2631	0.2191	0.2671	0.2275
	0.2472	0.1637		0.2513	0.1721		0.2554	0.1805		0.2595	0.1890		0.2636	0.1974		0.2677	0.2058		0.2590	0.2106	0.2718	0.2143
	0.2513	0.1722		0.2554	0.1806		0.2595	0.1890		0.2636	0.1974		0.2677	0.2058		0.2631	0.2191		0.2758	0.2227		

Bin	CIE_x	CIE_y	Bin	CIE_x	CIE_y	Bin	CIE_x	CIE_y	Bin	CIE_x	CIE_y	Bin	CIE_x	CIE_y	Bin	CIE_x	CIE_y		
K6	0.2451	0.2504	K7	0.2492	0.2588	K8	0.2533	0.2672	K9	0.2574	0.2757	KA	0.2615	0.2842	KB	0.2656	0.2927		
	0.2410	0.2419		0.2451	0.2504		0.2492	0.2588		0.2533	0.2672		0.2574	0.2757		0.2615	0.2842	0.2656	0.2927
	0.2497	0.2371		0.2538	0.2456		0.2579	0.2540		0.2620	0.2624		0.2661	0.2709		0.2702	0.2794	0.2743	0.2879
	0.2538	0.2456		0.2579	0.2540		0.2620	0.2624		0.2661	0.2709		0.2702	0.2794		0.2743	0.2879		
L6	0.2497	0.2371	L7	0.2538	0.2456	L8	0.2579	0.2540	L9	0.2620	0.2624	LA	0.2661	0.2709	LB	0.2702	0.2794		
	0.2584	0.2323		0.2625	0.2408		0.2666	0.2492		0.2707	0.2576		0.2748	0.2661		0.2789	0.2746	0.2830	0.2831
	0.2625	0.2408		0.2666	0.2492		0.2707	0.2576		0.2748	0.2661		0.2789	0.2746		0.2830	0.2831		
	0.2625	0.2408		0.2666	0.2492		0.2707	0.2576		0.2748	0.2661		0.2789	0.2746		0.2830	0.2831		
M6	0.2584	0.2323	M7	0.2625	0.2408	M8	0.2666	0.2492	M9	0.2707	0.2576	MA	0.2748	0.2661	MB	0.2789	0.2746		
	0.2671	0.2275		0.2712	0.2360		0.2753	0.2444		0.2794	0.2528		0.2835	0.2613		0.2876	0.2698	0.2917	0.2783
	0.2712	0.2360		0.2753	0.2444		0.2794	0.2528		0.2835	0.2613		0.2876	0.2698		0.2917	0.2783		
	0.2712	0.2360		0.2753	0.2444		0.2794	0.2528		0.2835	0.2613		0.2876	0.2698		0.2917	0.2783		
N6	0.2671	0.2275	N7	0.2712	0.2360	N8	0.2753	0.2444	N9	0.2794	0.2528	NA	0.2835	0.2613	NB	0.2876	0.2698		
	0.2758	0.2227		0.2799	0.2312		0.2840	0.2396		0.2881	0.2480		0.2922	0.2565		0.2963	0.2650	0.3004	0.2735
	0.2799	0.2312		0.2840	0.2396		0.2881	0.2480		0.2922	0.2565		0.2963	0.2650					
	0.2799	0.2312		0.2840	0.2396		0.2881	0.2480		0.2922	0.2565		0.2963	0.2650					

TECHNICAL DATA

SMD LED (ELHP5630 SERIES) BRIGHTNESS BIN SELECTION

Luminous Flux

Unit : lm

1 lm / Bin									2 lm / Bin					
Bin	CIE_x	CIE_y	Bin	CIE_x	CIE_y	Bin	CIE_x	CIE_y	Bin	CIE_x	CIE_y	Bin	CIE_x	CIE_y
18	18	19	18	18	19	18	18	19	T18	18	20	T50	50	52
19	19	20	19	19	20	19	19	20	T20	20	22	T52	52	54
20	20	21	20	20	21	20	20	21	T22	22	24	T54	54	56
21	21	22	21	21	22	21	21	22	T24	24	26	T56	56	58
22	22	23	22	22	23	22	22	23	T26	26	28	T58	58	60
23	23	24	23	23	24	23	23	24	T28	28	30	T60	60	62
24	24	25	24	24	25	24	24	25	T30	30	32	T62	62	64
25	25	26	25	25	26	25	25	26	T32	32	34	T64	64	66
26	26	27	26	26	27	26	26	27	T34	34	36	T66	66	68
27	27	28	27	27	28	27	27	28	T36	36	38	T68	68	70
28	28	29	28	28	29	28	28	29	T38	38	40	T70	70	72
29	29	30	29	29	30	29	29	30	T40	40	42	T72	72	74
30	30	31	30	30	31	30	30	31	T42	42	44	T74	74	76
31	31	32	31	31	32	31	31	32	T44	44	46	T76	76	78
32	32	33	32	32	33	32	32	33	T46	46	48	T78	78	80
33	33	34	33	33	34	33	33	34	T48	48	50	T80	80	82

Note: Tolerance of Luminous Intensity: $\pm 7\%$.

V_F (Forward Voltage Spec. Setup)

Unit : V

Single Chip			Two Chips					
Bin	Min.	Max.	Parallel			Serial		
			Bin	Min.	Max.	Bin	Min.	Max.
A	2.9	3.0	PA	2.9	3.0	S8	5.8	6.0
B	3.0	3.1	PB	3.0	3.1	S9	6.0	6.2
C	3.1	3.2	PC	3.1	3.2	SA	6.2	6.4
D	3.2	3.3	PD	3.2	3.3	SB	6.4	6.6
E	3.3	3.4	PE	3.3	3.4	SC	6.6	6.8
F	3.4	3.5	PF	3.4	3.5	SD	6.8	7.0
G	3.5	3.6	PG	3.5	3.6	SE	7.0	7.2

Note: Tolerance of Forward Voltage: $\pm 0.05V$.

TECHNICAL DATA

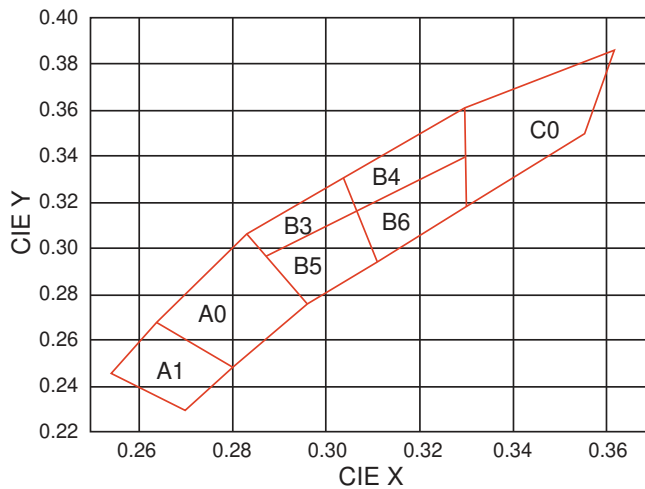
AUTOMOTIVE LED : SMD LED BRIGHTNESS BIN SELECTION

Bin Range of Chromaticity Coordinates

($I_f=20\text{mA}$ / $T_a=25^\circ\text{C}$)

Color Ranks		CIE			
A1	X	0.255	0.264	0.280	0.270
	Y	0.245	0.267	0.248	0.230
A0	X	0.264	0.283	0.296	0.280
	Y	0.267	0.305	0.267	0.248
B3	X	0.283	0.304	0.307	0.287
	Y	0.305	0.330	0.315	0.295
B4	X	0.304	0.330	0.330	0.307
	Y	0.330	0.360	0.339	0.315
B5	X	0.287	0.307	0.311	0.296
	Y	0.295	0.315	0.294	0.276
B6	X	0.307	0.330	0.330	0.311
	Y	0.315	0.339	0.318	0.294
C0	X	0.330	0.361	0.355	0.330
	Y	0.360	0.385	0.350	0.318

Note: Measurement uncertainty of the color coordinates ± 0.01 .



Bin Range of Luminous Intensity

Unit : mcd

Group	Bin	Min	Max
C	C1	0.28	0.36
	C2	0.36	0.45
D	D1	0.45	0.56
	D2	0.56	0.71
E	E1	0.71	0.9
	E2	0.9	1.12
F	F1	1.12	1.4
	F2	1.4	1.8
G	G1	1.8	2.24
	G2	2.24	2.8
H	H1	2.8	3.55
	H2	3.55	4.5
J	J1	4.5	5.6
	J2	5.6	7.1
K	K1	7.1	9
	K2	9	11.2
L	L1	11.2	14
	L2	14	18
M	M1	18	22.4
	M2	22.4	28
N	N1	28	35.5
	N2	35.5	45
P	P1	45	56
	P2	56	71
Q	Q1	71	90
	Q2	90	112
R	R1	112	140
	R2	140	180
S	S1	180	224
	S2	224	280
T	T1	280	355
	T2	355	450
U	U1	450	560
	U2	560	710
V	V1	710	900
	V2	900	1120
AW	AA	1120	1400
	AB	1400	1800
BW	BA	1800	2240
	BB	2240	2800
CW	CA	2800	3550
	CB	3550	4500
DW	DA	4500	5600
	DB	5600	7100
EW	EA	7100	9000
	EB	9000	11200
FW	FA	11200	14000
	FB	14000	18000
GW	GA	18000	22400
	GB	22400	28000
HW	HA	28000	35500
	HB	35500	45000
IW	IA	45000	56000
	IB	56000	71000

TECHNICAL DATA

AUTOMOTIVE LED : HIGH POWER LED (EHP-A09K) CIE BINNING RANKS

Cool White (Production Spec)

4500~5000K

Rank	CIE_x	CIE_y	Rank	CIE_x	CIE_y	Condition
U4	0.364	0.383	U7	0.344	0.344	I _F = 150mA
	0.367	0.400		0.343	0.331	
	0.348	0.385		0.357	0.343	
	0.347	0.372		0.360	0.357	
U5	0.364	0.383	U8	0.342	0.320	
	0.362	0.372		0.343	0.331	
	0.346	0.359		0.357	0.343	
	0.347	0.372		0.355	0.330	
U6	0.362	0.372	U9	0.342	0.320	
	0.360	0.357		0.355	0.330	
	0.344	0.344		0.353	0.315	
	0.346	0.359		0.341	0.305	

4500~5000K

Rank	CIE_x	CIE_y	Rank	CIE_x	CIE_y	Condition
V4	0.329	0.357	V7	0.329	0.331	I _F = 150mA
	0.329	0.369		0.344	0.344	
	0.348	0.385		0.343	0.331	
	0.347	0.372		0.329	0.320	
V5	0.329	0.345	V8	0.343	0.331	
	0.329	0.357		0.329	0.320	
	0.347	0.372		0.329	0.310	
	0.346	0.359		0.342	0.320	
V6	0.329	0.331	V9	0.329	0.310	
	0.329	0.345		0.342	0.320	
	0.346	0.359		0.341	0.305	
	0.344	0.344		0.330	0.300	

5650~6300K

Rank	CIE_x	CIE_y	Rank	CIE_x	CIE_y	Condition
W4	0.329	0.369	W7	0.329	0.331	I _F = 150mA
	0.329	0.357		0.329	0.320	
	0.315	0.344		0.318	0.310	
	0.314	0.355		0.317	0.320	
W5	0.329	0.345	W8	0.329	0.321	
	0.316	0.333		0.329	0.310	
	0.315	0.344		0.319	0.300	
	0.329	0.357		0.318	0.310	
W6	0.329	0.345	W9	0.321	0.290	
	0.329	0.331		0.330	0.300	
	0.317	0.320		0.329	0.310	
	0.316	0.333		0.319	0.300	

6300~7000K

Rank	CIE_x	CIE_y	Rank	CIE_x	CIE_y	Condition
X4	0.301	0.342	X7	0.308	0.311	I _F = 150mA
	0.314	0.355		0.317	0.320	
	0.315	0.344		0.319	0.300	
	0.303	0.333		0.311	0.293	
X5	0.305	0.322	X8	0.321	0.290	
	0.303	0.333		0.319	0.300	
	0.315	0.344		0.311	0.293	
	0.316	0.333		0.313	0.285	
X6	0.308	0.311				
	0.305	0.322				
	0.316	0.333				
	0.317	0.320				

7000~8000K

Rank	CIE_x	CIE_y	Rank	CIE_x	CIE_y	Condition
Y3-3	0.290	0.318	Y9-3	0.308	0.311	I _F = 150mA
	0.303	0.333		0.311	0.293	
	0.301	0.342		0.290	0.270	
	0.286	0.333		0.283	0.284	
Y6-3	0.308	0.311	Y1-3	0.302	0.283	
	0.283	0.284		0.311	0.293	
	0.274	0.301		0.313	0.285	
	0.303	0.333		0.305	0.273	

8000~9000K

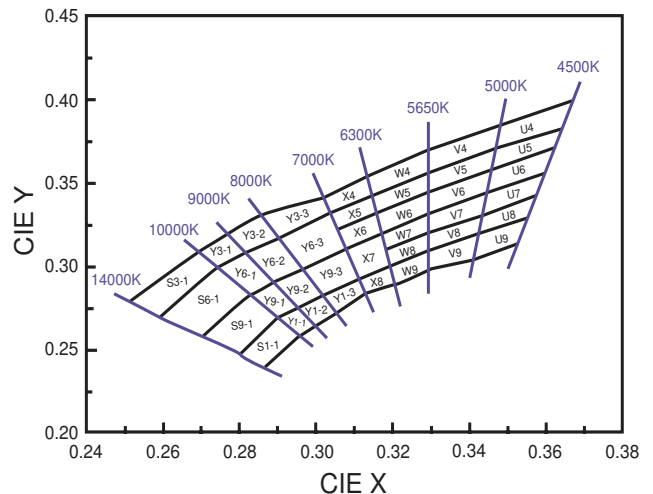
Rank	CIE_x	CIE_y	Rank	CIE_x	CIE_y	Condition
Y3-2	0.281	0.309	Y9-2	0.308	0.311	I _F = 150mA
	0.290	0.318		0.283	0.284	
	0.286	0.333		0.274	0.301	
	0.276	0.321		0.303	0.333	
Y6-2	0.302	0.283	Y1-2	0.299	0.265	
	0.311	0.293		0.295	0.276	
	0.313	0.285		0.302	0.283	
	0.305	0.273		0.305	0.273	

9000~10000K

Rank	CIE_x	CIE_y	Rank	CIE_x	CIE_y	Condition
Y3-1	0.274	0.301	Y9-1	0.290	0.270	I _F = 150mA
	0.281	0.309		0.283	0.284	
	0.276	0.321		0.289	0.291	
	0.269	0.309		0.295	0.276	
Y6-1	0.283	0.284	Y1-1	0.295	0.276	
	0.274	0.301		0.299	0.265	
	0.281	0.309		0.295	0.259	
	0.289	0.291		0.290	0.270	

10000~14000K

Rank	CIE_x	CIE_y	Rank	CIE_x	CIE_y	Condition
S3-1	0.259	0.270	S9-1	0.270	0.260	I _F = 150mA
	0.274	0.301		0.283	0.284	
	0.269	0.309		0.290	0.270	
	0.251	0.280		0.280	0.248	
S6-1	0.274	0.301	S1-1	0.280	0.248	
	0.283	0.284		0.290	0.270	
	0.270	0.260		0.295	0.259	
	0.259	0.270		0.286	0.240	



TECHNICAL DATA

AUTOMOTIVE LED : HIGH POWER LED CIE BINNING RANKS

Brightness Bin Selection

Unit : lm

Group	Bin	Min	Max
C	C1	4	5
	C2	5	6
D	D1	6	8
	D2	8	10
E	E1	10	13
	E2	13	17
F	F1	17	20
	F2	20	23
G	G1	23	27
	G2	27	33
H	H1	33	39
	H2	39	45
I	I1	45	52
	I2	52	61
J	J1	61	71
	J2	71	82
K	K1	82	97
	K2	97	112
L	L1	112	130
	L2	130	150
M	M1	150	180
	M2	180	201
N	N1	201	224
	N2	224	250
O	O1	250	280
	O2	280	314
P	P1	314	351
	P2	351	393
Q	Q1	393	440
	Q2	440	494
R	R1	494	553
	R2	553	619
S	S1	619	693
	S2	693	776
T	T1	776	870
	T2	870	974
U	U1	974	1090
	--	--	--

Unit : mA

Bin Code	I _F (mA)
A	150
B	200
C	250
D	300
E	350
F	400
G	450
H	500
I	550
J	600
K	650
L	700
M	750
N	800
O	850
P	900
Q	950
R	1000

Unit : mA

Bin Code	Dimension
2016	20x16
3535	35x35

Bin Code	Board
S	SMC
E	EMC
P	PLCC
C	Ceramic

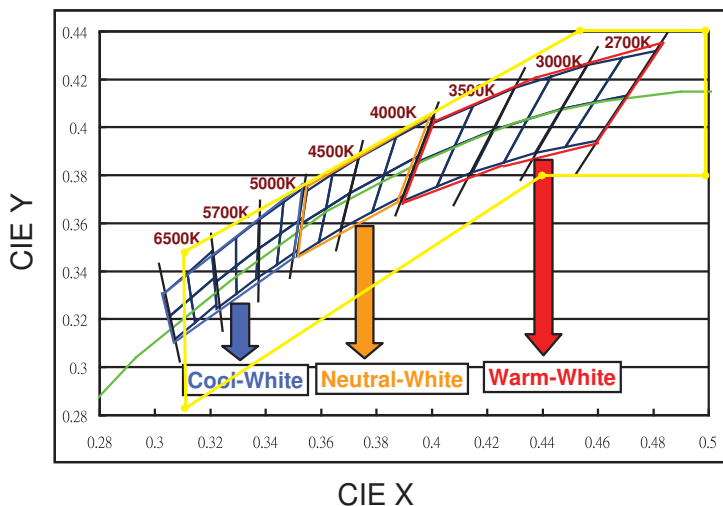
Bin Code	Viewing Angle
H	30
B	60
C	90

Cool White & Warm White

Unit : K

Code	CCT	Color Ranks
27	2700K	27K-1 27K-2
		27K-3 27K-4
		27K-2 27K-3
30	3000K	30K-1 30K-4
		30K-2 30K-3
		30K-2 30K-3
35	3500K	35K-1 35K-4
		35K-2 35K-3
		35K-2 35K-3
40	4000K	40K-1 40K-4
		40K-2 40K-3
		40K-2 40K-3
45	4500K	45K-1 45K-4
		45K-2 45K-3
		45K-2 45K-3
50	5000K	50K-1 50K-4
		50K-2 50K-3
		50K-2 50K-3
57	5700K	57K-1 57K-4
		57K-2 57K-3
		57K-2 57K-3
60	6000K	57K-2 57K-3
		65K-1 65K-4
		65K-1 65K-4

White Color Bin Structure



TECHNICAL DATA

AUTOMOTIVE LED : EALP0x5x LED BRIGHTNESS BIN SELECTION

Bin Range of Total Flux

Unit : lm

Group	Bin	Min	Max	Group	Bin	Min	Max
A	A1	6	8	N	N1	715	900
	A2	8	10		N2	900	1125
B	B1	10	12.5	P	P1	1125	1425
	B2	12.5	15		P2	1425	1800
C	C1	15	18	Q	Q1	1800	2250
	C2	18	22		Q2	2250	2850
D	D1	22	28	R	R1	2850	3600
	D2	28	35		R2	3600	4500
E	E1	35	42	S	S1	4500	5650
	E2	42	50		S2	5650	7150
F	F1	50	60	T	T1	7150	9000
	F2	60	70		T2	9000	11250
G	G1	70	85	U	U1	11250	14250
	G2	85	100		U2	14250	18000
H	H1	100	120	V	V1	18000	22500
	H2	120	140		V2	22500	28500
J	J1	140	170	W	W1	28500	36000
	J2	170	200		W2	36000	43200
K	K1	200	240	X	X1	43200	51840
	K2	240	285		X2	51840	62200
L	L1	285	360	Y	Y1	62200	74600
	L2	360	450		Y2	74600	87500
M	M1	450	565				
	M2	565	715				

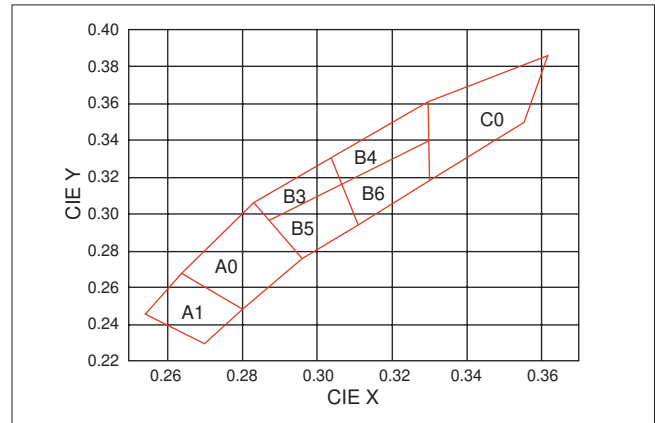
Note: Tolerance of Forward Voltage: $\pm 0.05V$.

Color Ranks

($I_f=20mA$ / $T_a=25^\circ C$)

Color Ranks		CIE			
A1	X	0.255	0.264	0.280	0.270
	Y	0.245	0.267	0.248	0.230
A0	X	0.264	0.283	0.296	0.280
	Y	0.267	0.305	0.267	0.248
B3	X	0.283	0.304	0.307	0.287
	Y	0.305	0.330	0.315	0.295
B4	X	0.304	0.330	0.330	0.307
	Y	0.330	0.360	0.339	0.315
B5	X	0.287	0.307	0.311	0.296
	Y	0.295	0.315	0.294	0.276
B6	X	0.307	0.330	0.330	0.311
	Y	0.315	0.339	0.318	0.294
C0	X	0.330	0.361	0.355	0.330
	Y	0.360	0.385	0.350	0.318

Note: Measurement uncertainty of the color coordinates ± 0.01 .



V_F (Forward Voltage Spec. Setup)

Unit : V

Groups				Code	Min.	Max.	Groups				Code	Min.	Max.						
A	C	L	F	D	G	H	J	I	N	K	M	U	0	1.7	1.9	1	9	1.8	2.0
													1	1.9	2.1		A	2.0	2.2
B	C	L	F	D	G	H	J	I	N	K	M	U	2	2.1	2.3	2	B	2.2	2.4
													3	2.3	2.5		C	2.4	2.6
B	C	L	F	D	G	H	J	I	N	K	M	U	4	2.5	2.7	3	D	2.6	2.8
													5	2.7	2.9		E	2.8	3.0
B	C	L	F	D	G	H	J	I	N	K	M	U	6	2.9	3.1	4	F	3.0	3.2
													7	3.1	3.3		G	3.2	3.4
B	C	L	F	D	G	H	J	I	N	K	M	U	8	3.3	3.5	5	H	3.4	3.6
																	6	J	3.6
																K		3.8	4.0
																	L	4.0	4.2

TECHNICAL DATA

LED LAMPS BRIGHTNESS BIN SELECTION

Brightness Bin Selection

Unit : mcd

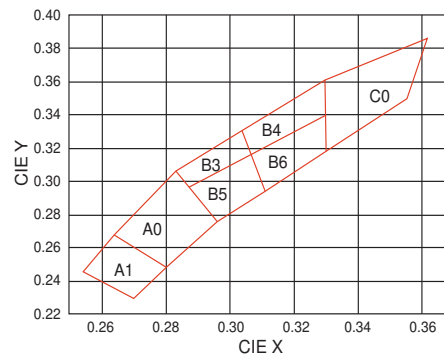
Item	Intensity I _v (mcd)	
Bin Code	Min.	Max.
a7	6.0	8.0
a6	8.0	10.0
a5	10.0	12.0
a4	12.0	15.0
a3	15.0	18.0
a2	18.0	22.0
a1	22.0	28.0
0	28.0	35.0
1	35.0	42.0
2	42.0	50.0
3	50.0	60.0
4	60.0	70.0
5	70.0	85.0
6	85.0	100
7	100	120
8	120	140
9	140	170
A	170	200
B	200	240
C	240	285
D	285	360
E	360	450
F	450	565
G	565	715
H	715	900
J	900	1,125
K	1,125	1,425
L	1,425	1,800
M	1,800	2,250
N	2,250	2,850
P	2,850	3,600
Q	3,600	4,500
R	4,500	5,650
S	5,650	7,150
T	7,150	9,000
U	9,000	11,250
V	11,250	14,250
W	14,250	18,000
X	18,000	22,500
Y	22,500	28,500
Z	28,500	36,000

Cool White / CIE Chromaticity Diagram

(I_F=20mA / Ta=25°C)

Color Ranks		CIE			
A1	X	0.255	0.264	0.280	0.270
	Y	0.245	0.267	0.248	0.230
A0	X	0.264	0.283	0.296	0.280
	Y	0.267	0.305	0.267	0.248
B3	X	0.283	0.304	0.307	0.287
	Y	0.305	0.330	0.315	0.295
B4	X	0.304	0.330	0.330	0.307
	Y	0.330	0.360	0.339	0.315
B5	X	0.287	0.307	0.311	0.296
	Y	0.295	0.315	0.294	0.276
B6	X	0.307	0.330	0.330	0.311
	Y	0.315	0.339	0.318	0.294
C0	X	0.330	0.361	0.355	0.330
	Y	0.360	0.385	0.350	0.318

Note: Measurement uncertainty of the color coordinates ±0.01.

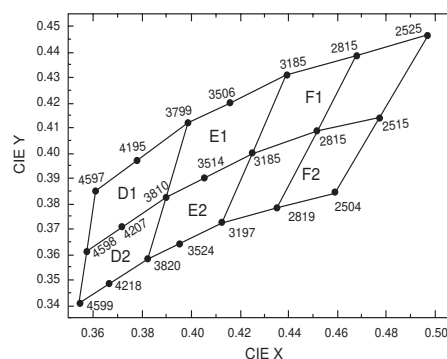


Warm White / CIE Chromaticity Diagram

(I_F=20mA / Ta=25°C)

Color Ranks		CIE			
D1	X	0.357	0.361	0.398	0.389
	Y	0.361	0.385	0.411	0.382
D2	X	0.354	0.357	0.389	0.382
	Y	0.340	0.361	0.382	0.358
E1	X	0.389	0.398	0.439	0.425
	Y	0.382	0.411	0.431	0.400
E2	X	0.382	0.389	0.425	0.412
	Y	0.358	0.382	0.400	0.372
F1	X	0.425	0.439	0.497	0.477
	Y	0.400	0.431	0.466	0.413
F2	X	0.412	0.425	0.477	0.458
	Y	0.372	0.400	0.413	0.383

Note: Measurement uncertainty of the color coordinates ±0.01.



DIGITAL DISPLAY BRIGHTNESS BIN SELECTION

Bin Code	Brightness Range (μcd)	
	Min.	Max.
C	70	140
D	110	220
E	180	360
F	280	560
G	450	900
H	750	1200
J	1050	1680
K	1400	2300
L	2000	3200
M	2800	4500
N	4000	6400
P	5600	8900
Q	7800	12500
R	11000	17600
S	15000	24000
T	21000	34000
U	30000	48000
V	42000	67000
W	59000	94000
X	83000	133000
Y	116000	186000
Z	158800	254000





VISIBLE LED

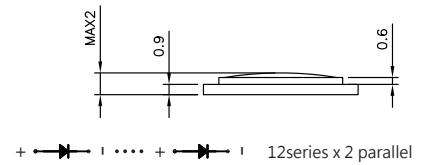
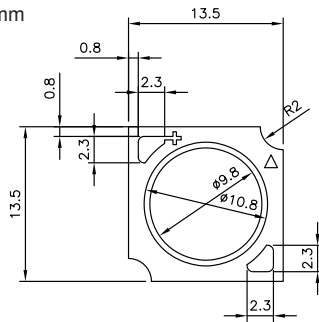
- 36** HIGH POWER LED
- 47** LOW MIDDLE POWER LED
- 50** FLASH LED
- 53** SMD LED
- 88** LED LAMPs
- 108** LED DIGITAL DISPLAYs
- 125** SIGNAGE LED
- 131** AUTOMOTIVE LED

High Power LED | EAHP1313 Series (4W,6W)

High Power LED



UNIT : mm



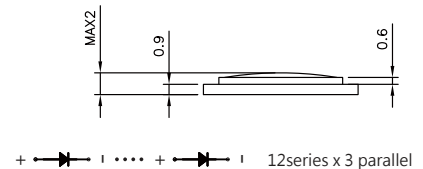
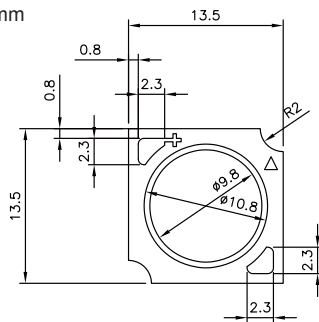
4W

Product	Size (LxWxHmm)	Forward Voltage (V)	Color	CCT (K)	Luminous Flux (lm)		CRI (min.)	Luminous Efficacy(lm/W)
					Min.	TYP		
EAHP1313WA0	13.5x13.5x1.5	34.5~40.0	● Warm White	2700K	425	510	80	118.6
EAHP1313WA3	13.5x13.5x1.5	34.5~40.0	● Warm White	3000K	450	535	80	124.4
EAHP1313WA6	13.5x13.5x1.5	34.5~40.0	● Warm White	3500K	475	550	80	127.9
EAHP1313WA9	13.5x13.5x1.5	34.5~40.0	○ Neutral White	4000K	500	565	80	131.4
EAHP1313WB2	13.5x13.5x1.5	34.5~40.0	○ Neutral White	4500K	500	575	80	133.7
EAHP1313WB5	13.5x13.5x1.5	34.5~40.0	○ Cool White	5000K	500	585	80	136.0
EAHP1313WB8	13.5x13.5x1.5	34.5~40.0	○ Cool White	5700K	500	590	80	137.2
EAHP1313WC1	13.5x13.5x1.5	34.5~40.0	○ Cool White	6500K	500	590	80	137.2

High Power LED | EAHP1313 Series



UNIT : mm



6W

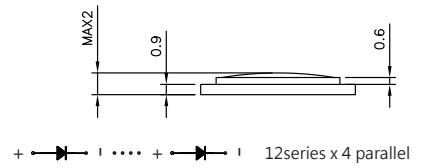
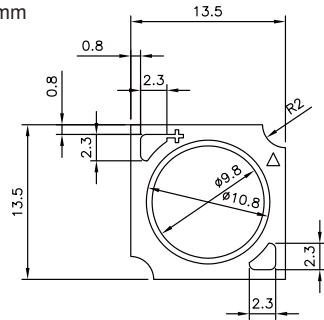
Product	Size (LxWxHmm)	Forward Voltage (V)	Color	CCT (K)	Luminous Flux (lm)		CRI (min.)	Luminous Efficacy(lm/W)
					Min.	TYP		
EAHP1313WA1	13.5x13.5x1.5	34.5~40.0	● Warm White	2700K	700	750	80	116.3
EAHP1313WA4	13.5x13.5x1.5	34.5~40.0	● Warm White	3000K	700	785	80	121.7
EAHP1313WA7	13.5x13.5x1.5	34.5~40.0	● Warm White	3500K	750	805	80	124.8
EAHP1313WB0	13.5x13.5x1.5	34.5~40.0	○ Neutral White	4000K	750	830	80	128.7
EAHP1313WB3	13.5x13.5x1.5	34.5~40.0	○ Neutral White	4500K	750	845	80	131.0
EAHP1313WB6	13.5x13.5x1.5	34.5~40.0	○ Cool White	5000K	800	855	80	132.6
EAHP1313WB9	13.5x13.5x1.5	34.5~40.0	○ Cool White	5700K	800	880	80	136.4
EAHP1313WC2	13.5x13.5x1.5	34.5~40.0	○ Cool White	6500K	800	880	80	136.4



High Power LED | EAHP1313 Series



UNIT : mm



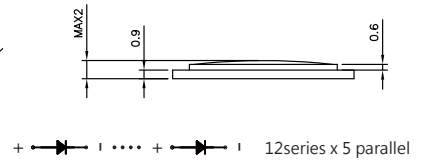
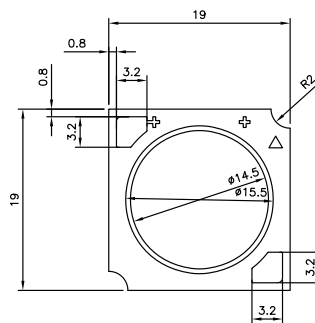
8W

Product	Size (LxWxHmm)	Forward Voltage (V)	Color	CCT (K)	Luminous Flux (lm)		CRI (min.)	Luminous Efficacy(lm/W)
					Min.	TYP		
EAHP1313WA2	13.5x13.5x1.5	34.5~40.0	● Warm White	2700K	900	985	80	114.5
EAHP1313WA5	13.5x13.5x1.5	34.5~40.0	● Warm White	3000K	900	1030	80	119.8
EAHP1313WA8	13.5x13.5x1.5	34.5~40.0	● Warm White	3500K	900	1060	80	123.3
EAHP1313WB1	13.5x13.5x1.5	34.5~40.0	○ Neutral White	4000K	900	1090	80	126.7
EAHP1313WB4	13.5x13.5x1.5	34.5~40.0	○ Neutral White	4500K	900	1110	80	129.1
EAHP1313WB7	13.5x13.5x1.5	34.5~40.0	○ Cool White	5000K	1000	1120	80	130.2
EAHP1313WC0	13.5x13.5x1.5	34.5~40.0	○ Cool White	5700K	1000	1150	80	133.7
EAHP1313WC3	13.5x13.5x1.5	34.5~40.0	○ Cool White	6500K	1000	1150	80	133.7

High Power LED | EAHP1919 Series



UNIT : mm



10W

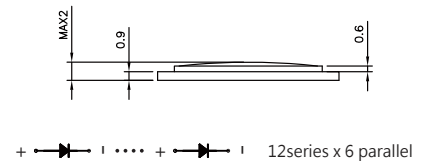
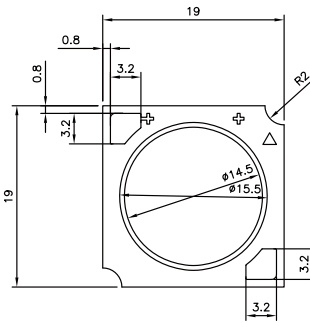
Product	Size (LxWxHmm)	Forward Voltage (V)	Color	CCT (K)	Luminous Flux (lm)		CRI (min.)	Luminous Efficacy(lm/W)
					Min.	TYP		
EAHP1919WA0	19x19x1.5	34.5~40.0	● Warm White	2700K	1100	1265	80	117.7
EAHP1919WA3	19x19x1.5	34.5~40.0	● Warm White	3000K	1100	1330	80	123.7
EAHP1919WA6	19x19x1.5	34.5~40.0	● Warm White	3500K	1200	1365	80	127.0
EAHP1919WC1	19x19x1.5	34.5~40.0	○ Neutral White	4000K	1200	1405	80	130.7
EAHP1919WB1	19x19x1.5	34.5~40.0	○ Neutral White	4500K	1200	1425	80	132.6
EAHP1919WB4	19x19x1.5	34.5~40.0	○ Cool White	5000K	1200	1455	80	135.3
EAHP1919WB7	19x19x1.5	34.5~40.0	○ Cool White	5700K	1200	1465	80	136.3
EAHP1919WC0	19x19x1.5	34.5~40.0	○ Cool White	6500K	1200	1465	80	136.3

High Power LED | EAHP1919 Series (13W,17W)

High Power LED



UNIT : mm



+ ——— + ——— 12series x 6 parallel

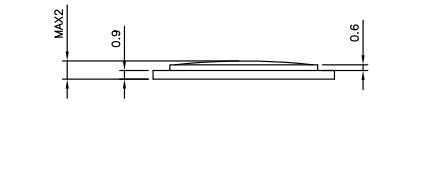
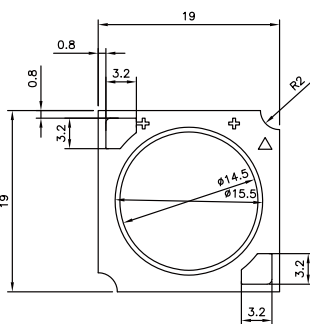
13W

Product	Size (LxWxHmm)	Forward Voltage (V)	Color	CCT (K)	Luminous Flux (lm)		CRI (min.)	Luminous Efficacy(lm/W)
					Min.	TYP		
EAHP1919WA1	19x19x1.5	34.5~40.0	● Warm White	2700K	1200	1495	80	115.1
EAHP1919WA4	19x19x1.5	34.5~40.0	● Warm White	3000K	1350	1570	80	120.2
EAHP1919WA7	19x19x1.5	34.5~40.0	● Warm White	3500K	1350	1615	80	123.6
EAHP1919WA9	19x19x1.5	34.5~40.0	○ Neutral White	4000K	1350	1660	80	127.1
EAHP1919WB2	19x19x1.5	34.5~40.0	○ Neutral White	4500K	1500	1685	80	129.5
EAHP1919WB5	19x19x1.5	34.5~40.0	○ Cool White	5000K	1500	1715	80	131.0
EAHP1919WB8	19x19x1.5	34.5~40.0	○ Cool White	5700K	1500	1730	80	132.2
EAHP1919WC3	19x19x1.5	34.5~40.0	○ Cool White	6500K	1500	1730	80	132.2

High Power LED | EAHP1919 Series



UNIT : mm



+ ——— + ——— 12series x 8 parallel

17W

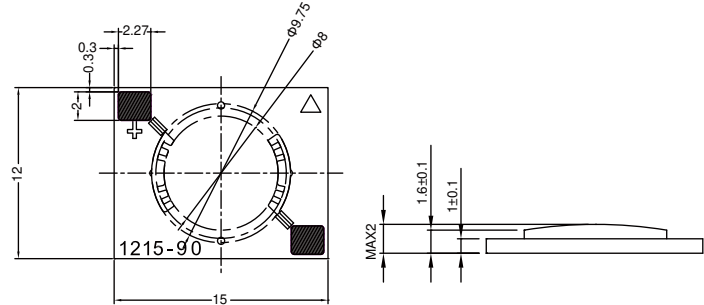
Product	Power Dissipation (W)	Forward Voltage (V)	Forward Current (mA)		Thermal Resistance °C /W	Junction Temperature °C	Color	CCT (K)	Luminous Flux (lm)		CRI (min.)	Luminous Efficacy (lm/W)
			Typ	Max					Min.	TYP		
EAHP1919WA2	17W	34.5~40.0	480	960	0.66	120	● Warm White	2700K	1650	1970	80	114.5
EAHP1919WA5	17W	34.5~40.0	480	960	0.66	120	● Warm White	3000K	1800	2070	80	119.8
EAHP1919WA8	17W	34.5~40.0	480	960	0.66	120	● Warm White	3500K	1800	2125	80	123.3
EAHP1919WB0	17W	34.5~40.0	480	960	0.66	120	○ Neutral White	4000K	1800	2185	80	126.7
EAHP1919WB3	17W	34.5~40.0	480	960	0.66	120	○ Neutral White	4500K	2000	2225	80	129.1
EAHP1919WB6	17W	34.5~40.0	480	960	0.66	120	○ Cool White	5000K	2000	2260	80	130.2
EAHP1919WB9	17W	34.5~40.0	480	960	0.66	120	○ Cool White	5700K	2000	2280	80	133.7
EAHP1919WC2	17W	34.5~40.0	480	960	0.66	120	○ Cool White	6500K	2000	2280	80	133.7



High Power LED | EAHP1215 Series



UNIT : mm



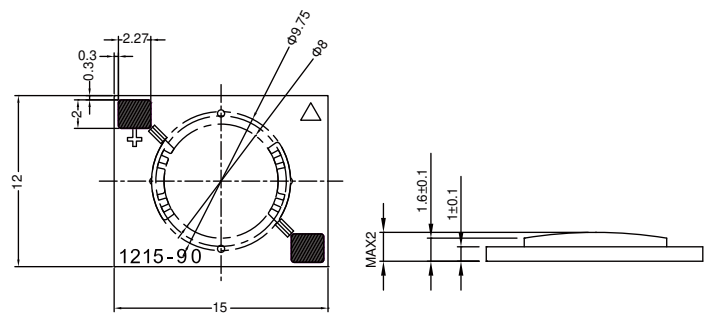
6W

Product	Size (LxWxHmm)	Forward Voltage (V)	Color	CCT (K)	Luminous Flux (lm)		CRI (min.)	Luminous Efficacy(lm/W)
					Min.	TYP		
EAHP1215WB0	12x15x1.6	33~41	● Warm White	2700K	550	630	80	105
EAHP1215WB1	12x15x1.6	33~41	● Warm White	3000K	600	670	80	111.6666667
EAHP1215WB5	12x15x1.6	33~41	○ Neutral White	4000K	600	730	80	121.6666667
EAHP1215WB8	12x15x1.6	33~41	○ Cool White	5000K	650	750	80	125
EAHP1215WC4	12x15x1.6	33~41	○ Cool White	5700K	650	750	80	125

High Power LED | EAHP1215 Series



UNIT : mm



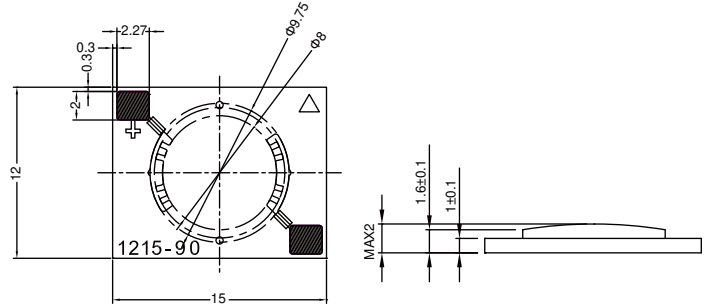
7W

Product	Size (LxWxHmm)	Forward Voltage (V)	Color	CCT (K)	Luminous Flux (lm)		CRI (min.)	Luminous Efficacy(lm/W)
					Min.	TYP		
EAHP1215WB2	12x15x1.6	11~14	● Warm White	3000K	650	730	80	104.2857143
EAHP1215WA1	12x15x1.6	11~14	○ Neutral White	4000K	650	745	80	106.4285714
EAHP1215WB9	12x15x1.6	11~14	○ Cool White	5000K	700	810	80	115.7142857
EAHP1215WC5	12x15x1.6	11~14	○ Cool White	5700K	700	810	80	115.7142857
EAHP1215WA0	12x15x1.6	11~14	○ Cool White	6500K	700	810	80	115.7142857

High Power LED | EAHP1215 Series



UNIT : mm



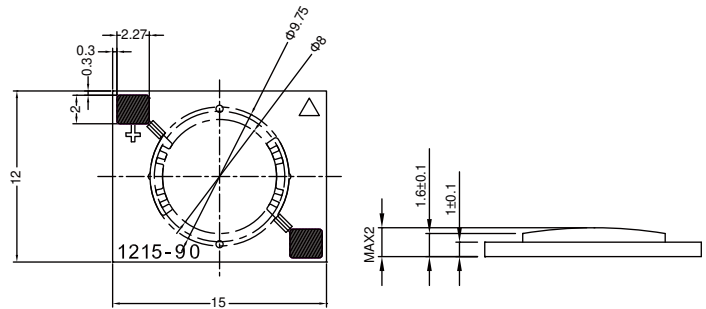
9W

Product	Size (LxWxHmm)	Forward Voltage (V)	Color	CCT (K)	Luminous Flux (lm)		CRI (min.)	Luminous Efficacy(lm/W)
					Min.	TYP		
EAHP1215WA8	12x15x1.6	33~41	● Warm White	2700K	800	898	80	99.77777778
EAHP1215WB3	12x15x1.6	33~41	● Warm White	3000K	900	957	80	106.33333333
EAHP1215WB6	12x15x1.6	33~41	○ Neutral White	4000K	900	1050	80	116.66666667
EAHP1215WC1	12x15x1.6	33~41	○ Cool White	5000K	1000	1103	80	122.55555556
EAHP1215WA6	12x15x1.6	33~41	○ Cool White	5700K	1000	1103	80	122.55555556

High Power LED | EAHP1215 Series



UNIT : mm



10W

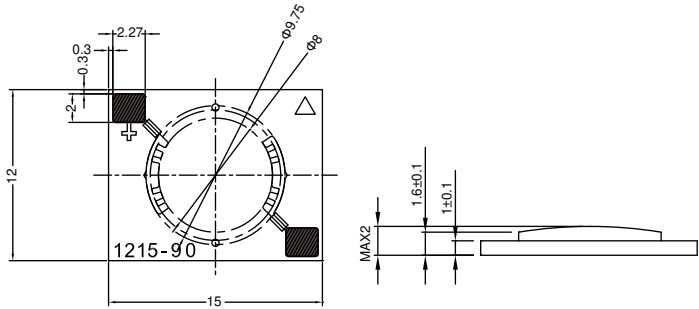
Product	Size (LxWxHmm)	Forward Voltage (V)	Color	CCT (K)	Luminous Flux (lm)		CRI (min.)	Luminous Efficacy(lm/W)
					Min.	TYP		
EAHP1215WA3	12x15x1.6	16~20	● Warm White	3000K	1100	1210	80	121
EAHP1215WA7	12x15x1.6	16~20	○ Neutral White	4000K	1100	1210	80	121
EAHP1215WC2	12x15x1.6	16~20	○ Cool White	5700K	1100	1210	80	121
EAHP1215WA5	12x15x1.6	16~20	● Warm White	2700K	1000	1184	80	118
EAHP1215WA4	12x15x1.6	16~20	○ Neutral White	4000K	1100	1310	80	131



High Power LED | EAHP1215 Series



UNIT : mm



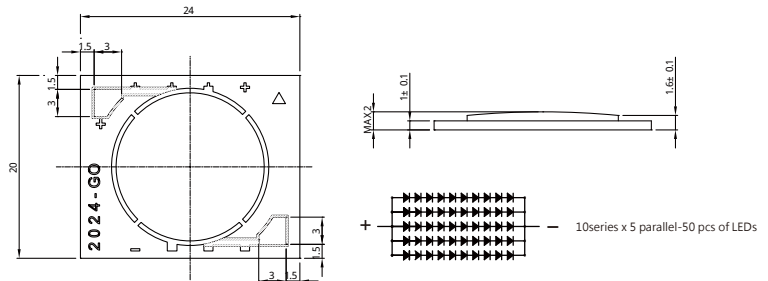
12W

Product	Size (LxWxHmm)	Forward Voltage (V)	Color	CCT (K)	Luminous Flux (lm)		CRI (min.)	Luminous Efficacy(lm/W)
					Min.	TYP		
EAHP1215WA9	12x15x1.6	33~41	● Warm White	2700K	1000	1184	80	98.66666667
EAHP1215WB4	12x15x1.6	33~41	● Warm White	3000K	1100	1260	80	105
EAHP1215WB7	12x15x1.6	33~41	○ Neutral White	4000K	1100	1310	80	109.16666667
EAHP1215WC3	12x15x1.6	33~41	○ Cool White	5000K	1200	1365	80	113.75
EAHP1215WC0	12x15x1.6	33~41	○ Cool White	5700K	1200	1365	80	113.75

High Power LED | EAHP2024 Series



UNIT : mm



15W

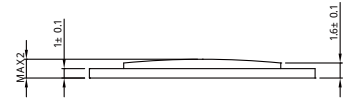
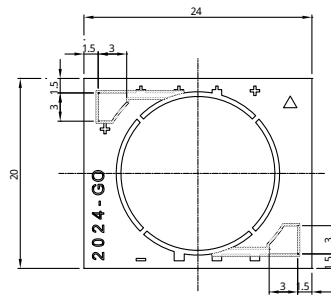
Product	Size (LxWxHmm)	Forward Voltage (V)	Color	CCT (K)	Luminous Flux (lm)		CRI (min.)	Luminous Efficacy(lm/W)
					Min.	TYP		
EAHP2024WA1	20x24x1.6	27~33	● Warm White	3500K	1425	1580	80	105.3333333
EAHP2024WA5	20x24x1.6	27~33	● Warm White	3000K	1500	1650	80	110
EAHP2024WA8	20x24x1.6	27~33	● Warm White	3500K	1500	1700	80	113.3333333
EAHP2024WB0	20x24x1.6	27~33	○ Neutral White	4000K	1575	1750	80	116.6666667
EAHP2024WB5	20x24x1.6	27~33	○ Cool White	5000K	1650	1800	80	120
EAHP2024WB7	20x24x1.6	27~33	○ Cool White	5700K	1725	1850	80	123.3333333
EAHP2024WB8	20x24x1.6	27~33	○ Cool White	6500K	1725	1850	80	123.3333333

High Power LED | EAHP2024 Series

High Power LED



UNIT : mm



+ - - - - - + - - - - - 12series x 7 parallel

25W

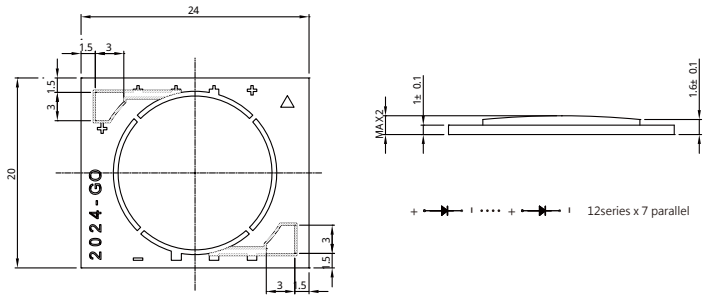
| Product | Size (LxWxHmm) | Forward Voltage (V) | Color | CCT (K) | Luminous Flux (lm) | | CRI (min.) | Luminous Efficacy(lm/W) |
|-------------|----------------|---------------------|-----------------|---------|--------------------|------|------------|-------------------------|
| | | | | | Min. | TYP | | |
| EAHP2024WA2 | 20x24x1.6 | 35~39 | ● Warm White | 2700K | 2400 | 2870 | 80 | 114.8 |
| EAHP2024WA6 | 20x24x1.6 | 35~39 | ● Warm White | 3000K | 2600 | 3000 | 80 | 120 |
| EAHP2024WB1 | 20x24x1.6 | 35~39 | ○ Neutral White | 4000K | 2800 | 3180 | 80 | 127.2 |
| EAHP2024WB6 | 20x24x1.6 | 35~39 | ○ Cool White | 5000K | 3000 | 3270 | 80 | 130.8 |



High Power LED | EAHP2024 Series



UNIT : mm



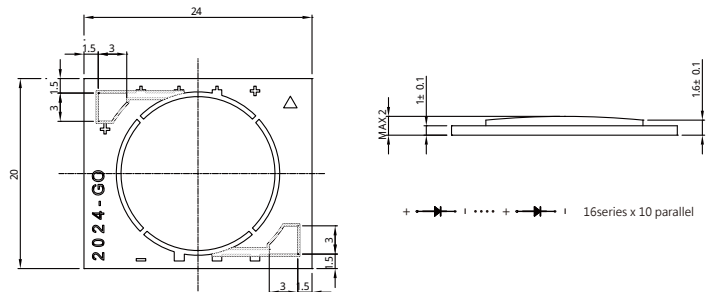
35W

| Product | Size (LxWxHmm) | Forward Voltage (V) | Color | CCT (K) | Luminous Flux (lm) | | CRI (min.) | Luminous Efficacy(lm/W) |
|-------------|----------------|---------------------|-----------------|---------|--------------------|------|------------|-------------------------|
| | | | | | Min. | TYP | | |
| EAHP2024WA3 | 20x24x1.6 | 35~39 | ● Warm White | 2700K | 3400 | 3890 | 80 | 111.1428571 |
| EAHP2024WA7 | 20x24x1.6 | 35~39 | ● Warm White | 3000K | 3600 | 4070 | 80 | 116.2857143 |
| EAHP2024WB2 | 20x24x1.6 | 35~39 | ○ Neutral White | 4000K | 3800 | 4315 | 80 | 123.2857143 |
| EAHP2024WB3 | 20x24x1.6 | 35~39 | ○ Cool White | 5000K | 4000 | 4435 | 80 | 126.7142857 |

High Power LED | EAHP2024 Series



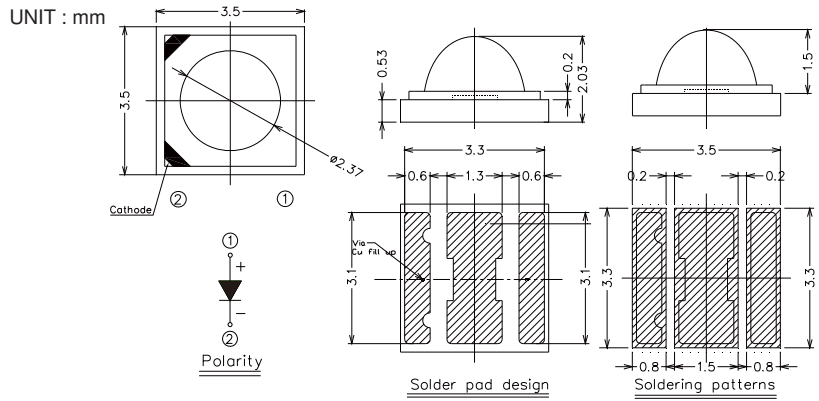
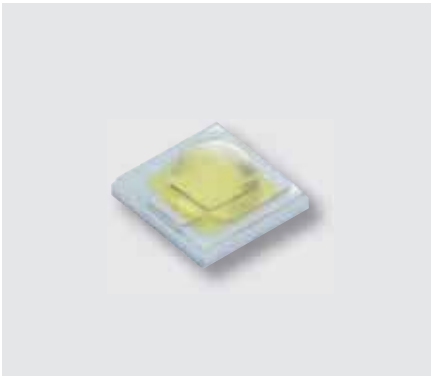
UNIT : mm



50W

| Product | Size (LxWxHmm) | Forward Voltage (V) | Color | CCT (K) | Luminous Flux (lm) | | CRI (min.) | Luminous Efficacy(lm/W) |
|-------------|----------------|---------------------|-----------------|---------|--------------------|------|------------|-------------------------|
| | | | | | Min. | TYP | | |
| EAHP2024WA0 | 20x24x1.6 | 46~53 | ● Warm White | 2700K | 4600 | 5165 | 80 | 103.3 |
| EAHP2024WA4 | 20x24x1.6 | 46~53 | ● Warm White | 3000K | 4800 | 5400 | 80 | 108 |
| EAHP2024WA9 | 20x24x1.6 | 46~53 | ○ Neutral White | 4000K | 5000 | 5725 | 80 | 114.5 |
| EAHP2024WB4 | 20x24x1.6 | 46~53 | ○ Cool White | 5000K | 5200 | 5885 | 80 | 117.7 |

High Power LED ■ EAHP3535 (1W, 3W)



1W, 3W / 350mA

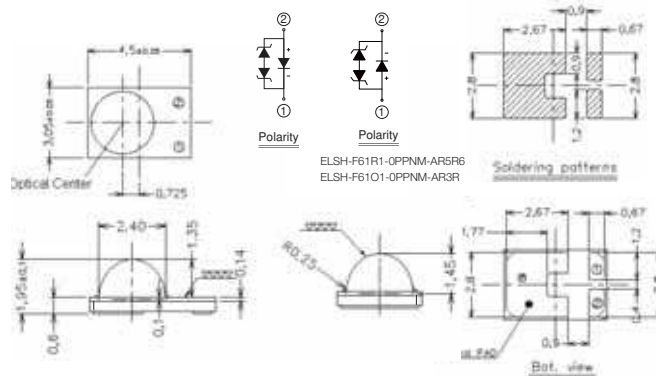
| Product | Size (LxWxHmm) | Color | Wavelength (nm) | Typ. Radiant Power | CRI (min.) | Forward Voltage (V) |
|-------------|----------------|--------------|-----------------|--------------------|------------|---------------------|
| EAHP3535RA0 | 3.5x3.5x2.03 | ● Red | 620~630 | 65mW | -- | 1.75~2.65 |
| EAHP3535OA0 | 3.5x3.5x2.03 | ● Orange | 610~620 | 65mW | -- | 1.75~2.65 |
| EAHP3535YA0 | 3.5x3.5x2.03 | ● Amber | 585~592.5 | 48mW | -- | 1.75~2.65 |
| EAHP3535GA0 | 3.5x3.5x2.03 | ● Green | 520~530 | 85mW | -- | 2.95~3.85 |
| EAHP3535BA0 | 3.5x3.5x2.03 | ● Blue | 460~470 | 21mW | -- | 2.95~3.85 |
| EAHP3535BA2 | 3.5x3.5x2.03 | ● Royal Blue | 445~460 | 275mW | -- | 2.95~3.85 |
| EAHP3535RA3 | 3.5x3.5x2.03 | ● Red | 645~675 | 275mW | -- | 2.05~2.95 |
| EAHP3535BA1 | 3.5x3.5x2.03 | ● Blue | 462.5 | 23lm | -- | 2.95~4.15 |
| EAHP3535GA1 | 3.5x3.5x2.03 | ● Green | 530 | 70lm | -- | 2.65~3.85 |
| EAHP3535GA2 | 3.5x3.5x2.03 | ● Green | 527.5 | 100lm | -- | 2.95~4.15 |
| EAHP3535RA1 | 3.5x3.5x2.03 | ● Red | 622.5 | 90lm | -- | 2.05~3.25 |
| EAHP3535RA2 | 3.5x3.5x2.03 | ● Far Red | 732.5 | 224mW | -- | 2.05~3.25 |
| EAHP3535YA1 | 3.5x3.5x2.03 | ● Amber | 589 | 90lm | -- | 2.05~3.25 |



High Power LED | EAHP3045 (1W, 3W)



UNIT : mm



1W / 350mA

| Product | Size (LxWxHmm) | Color | Wavelength (nm) | Typ. Luminous Flux (lm) | CRI (min.) | Forward Voltage (V) |
|-------------|----------------|--------------|-----------------|-------------------------|------------|---------------------|
| EAHP3045RA0 | 3.05x4.5x1.95 | ● Red | 620~630 | 56 | -- | 1.75~2.95 |
| EAHP3045RA1 | 3.05x4.5x1.95 | ● Red | 620~630 | 65 | -- | 1.75~2.95 |
| EAHP3045OA0 | 3.05x4.5x1.95 | ● Orange | 610~620 | 56 | -- | 1.75~2.95 |
| EAHP3045OA1 | 3.05x4.5x1.95 | ● Orange | 610~620 | 65 | -- | 1.75~2.95 |
| EAHP3045YA0 | 3.05x4.5x1.95 | ● Amber | 585~592.5 | 48 | -- | 1.75~2.95 |
| EAHP3045YA1 | 3.05x4.5x1.95 | ● Amber | 587.5~595 | 48 | -- | 1.75~2.95 |
| EAHP3045GA2 | 3.05x4.5x1.95 | ● Green | 520~530 | 85 | -- | 2.95~3.85 |
| EAHP3045GA3 | 3.05x4.5x1.95 | ● Green | 525~535 | 85 | -- | 2.95~3.85 |
| EAHP3045BA0 | 3.05x4.5x1.95 | ● Blue | 460~470 | 21 | -- | 2.95~3.85 |
| EAHP3045BA2 | 3.05x4.5x1.95 | ● Royal Blue | Wp 445~460 | 312 mW | -- | 2.95~3.85 |
| EAHP3045RA4 | 3.05x4.5x1.95 | ● Deep Red | Wp 645~675 | 312 mW | -- | 2.05~2.95 |
| EAHP3045RA3 | 3.05x4.5x1.95 | ● Far Red | Wp 715~745 | 150 mW | -- | 2.05~2.95 |
| EAHP3045GA0 | 3.05x4.5x1.95 | ● Green | 520~530 | 70 | -- | 2.65~3.85 |
| EAHP3045GA1 | 3.05x4.5x1.95 | ● Green | 525~535 | 70 | -- | 2.65~3.85 |

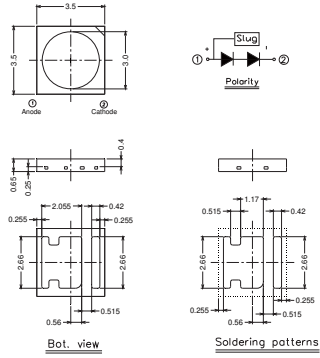
3W / 700mA

| Product | Size (LxWxHmm) | Color | Wavelength (nm) | Typ. Luminous Flux (lm) | CRI (min.) | Forward Voltage (V) |
|-------------|----------------|---------|-----------------|-------------------------|------------|---------------------|
| EAHP3045RA2 | 3.05x4.5x1.95 | ● Red | 615~630 | 95 | -- | 2.05~3.25 |
| EAHP3045YA2 | 3.05x4.5x1.95 | ● Amber | 585~592.5 | 95 | -- | 2.05~3.25 |
| EAHP3045GA4 | 3.05x4.5x1.95 | ● Green | 520~535 | 105 | -- | 3.25~4.15 |
| EAHP3045BA1 | 3.05x4.5x1.95 | ● Blue | 455~470 | 25 | -- | 3.25~4.15 |

High Power LED | EAHP3535 Series (3535 package, 1W, 6V)



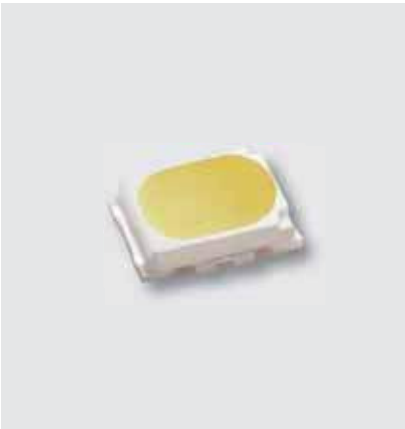
UNIT : mm



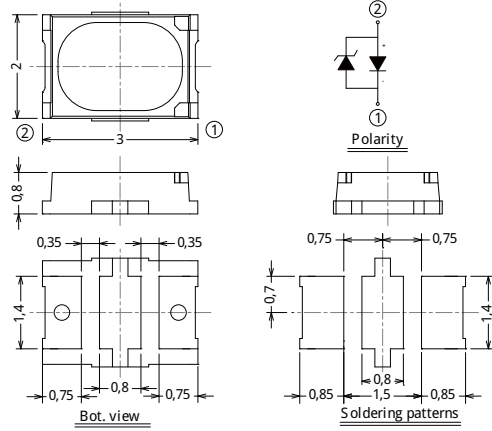
1W / 6V

| Product | Size (LxWxHmm) | Color | CCT (K) | Typ. Luminous Flux (lm) @ 150mA | CRI (min.) | Forward Voltage (V) |
|--------------|----------------|----------------|---------|---------------------------------|------------|---------------------|
| EAHP3535XWA5 | 3.0x3.0x0.65 | ○Cool White | 6500K | 112 | 80 | 6.0-7.0 |
| EAHP3535XWA4 | 3.0x3.0x0.65 | ○Cool White | 5700K | 113 | 80 | 6.0-7.0 |
| EAHP3535XWA3 | 3.0x3.0x0.65 | ○Cool White | 5000K | 115 | 80 | 6.0-7.0 |
| EAHP3535XWA2 | 3.0x3.0x0.65 | ○Neutral White | 4000K | 111 | 80 | 6.0-7.0 |
| EAHP3535XWA1 | 3.0x3.0x0.65 | ●Warm White | 3000K | 108 | 80 | 6.0-7.0 |
| EAHP3535XWA0 | 3.0x3.0x0.65 | ●Warm White | 2700K | 105 | 80 | 6.0-7.0 |

Low Middle Power LED | EAPL3020Series (3020 package, 0.1W / 0.3W)



UNIT : mm



0.1W / 20mA

| Product | Size (LxWxHmm) | Color | λ_d (nm)/ CIE(x,y) | I_v Min./Typ. (mcd) | I_v Max. (mcd) | V_F Min. (V) | V_F Max. (V) | I_F (mA) |
|-------------|----------------|--------------------|----------------------------|-----------------------|------------------|----------------|----------------|------------|
| EAPL3020AA0 | 3x2x0.8 | ● Brilliant Orange | 605 | 90 | 225 | 1.75 | 2.35 | 20 |

0.3W / 60mA

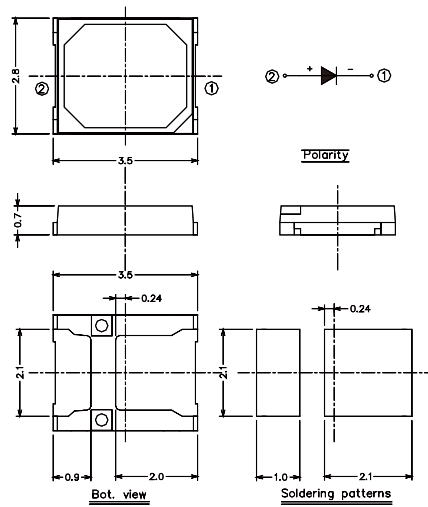
| Product | Size (LxWxHmm) | Color | CCT (K) | Typ. Luminous Flux (lm) @ 150mA | CRI (min.) | Forward Voltage (V) |
|-------------|----------------|-----------------|---------|---------------------------------|------------|---------------------|
| EAPL3020WA0 | 3.0x3.0x0.65 | ● Warm White | 2700 | 16 | 80 | 2.9~3.6 |
| EAPL3020WA1 | 3.0x3.0x0.65 | ● Warm White | 3000 | 17 | 80 | 2.9~3.6 |
| EAPL3020WA2 | 3.0x3.0x0.65 | ○ Neutral White | 3500 | 17 | 80 | 2.9~3.6 |
| EAPL3020WA3 | 3.0x3.0x0.65 | ○ Neutral White | 4000 | 18 | 80 | 2.9~3.6 |
| EAPL3020WA4 | 3.0x3.0x0.65 | ○ Cool White | 5000 | 18 | 80 | 2.9~3.6 |
| EAPL3020WA5 | 3.0x3.0x0.65 | ○ Cool White | 5700 | 18 | 80 | 2.9~3.6 |
| EAPL3020WA6 | 3.0x3.0x0.65 | ○ Cool White | 6500 | 18 | 80 | 2.9~3.6 |

Low Middle Power LED

Low Middle Power LED | EAPL2835 Series (2835 package, 0.2W / 0.5W)



UNIT : mm



0.2W / 60mA

| Product | Size (LxWxHmm) | Color | CCT (K) | Typ. Luminous Flux (lm) @ 30mA | CRI (min.) | Forward Voltage (V) |
|-------------|----------------|----------------|---------|--------------------------------|------------|---------------------|
| EAPL2835WB3 | 3.5x2.8x1.9 | ○Cool White | 6500 | 24 | 80 | 2.9~3.6 |
| EAPL2835WB2 | 3.5x2.8x1.9 | ○Cool White | 6000 | 24 | 80 | 2.9~3.6 |
| EAPL2835WB0 | 3.5x2.8x1.9 | ○Cool White | 5700 | 24 | 80 | 2.9~3.6 |
| EAPL2835WA9 | 3.5x2.8x1.9 | ○Cool White | 5300 | 24 | 80 | 2.9~3.6 |
| EAPL2835WA7 | 3.5x2.8x1.9 | ○Cool White | 5000 | 24 | 80 | 2.9~3.6 |
| EAPL2835WA5 | 3.5x2.8x1.9 | ○Neutral White | 4000 | 23 | 80 | 2.9~3.6 |
| EAPL2835WA4 | 3.5x2.8x1.9 | ○Neutral White | 3500 | 22 | 80 | 2.9~3.6 |
| EAPL2835WA2 | 3.5x2.8x1.9 | ○Warm White | 3000 | 22 | 80 | 2.9~3.6 |
| EAPL2835WA0 | 3.5x2.8x1.9 | ○Warm White | 2700 | 21 | 80 | 2.9~3.6 |

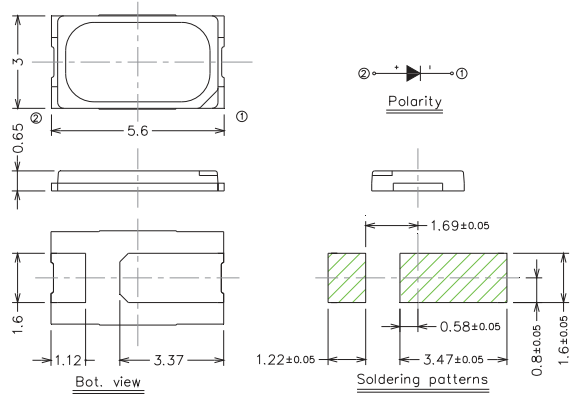
0.5W / 150mA

| Product | Size (LxWxHmm) | Color | CCT (K) | Typ. Luminous Flux (lm) @ 150mA | CRI (min.) | Forward Voltage (V) |
|-------------|----------------|----------------|---------|---------------------------------|------------|---------------------|
| EAPL2835WB4 | 3.5x2.8x1.9 | ○Cool White | 6500 | 54 | 80 | 2.8~3.5 |
| EAPL2835WB1 | 3.5x2.8x1.9 | ○Cool White | 5700 | 54 | 80 | 2.8~3.5 |
| EAPL2835WA8 | 3.5x2.8x1.9 | ○Cool White | 5000 | 54 | 80 | 2.8~3.5 |
| EAPL2835WA6 | 3.5x2.8x1.9 | ○Neutral White | 4000 | 52 | 80 | 2.8~3.5 |
| EAPL2835WA3 | 3.5x2.8x1.9 | ○Warm White | 3000 | 49 | 80 | 2.8~3.5 |
| EAPL2835WA1 | 3.5x2.8x1.9 | ○Warm White | 2700 | 46 | 80 | 2.8~3.5 |

Low Middle Power LED | ELHP5630 Series (5630 package)



UNIT : mm



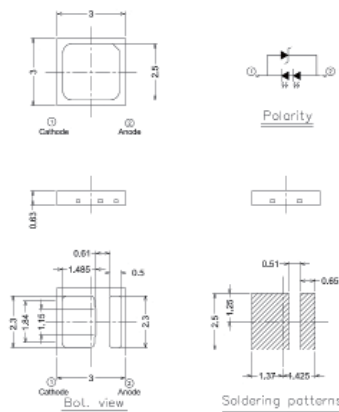
0.5W / 150mA

| Product | Size (LxWxHmm) | Color | CCT (K) | Typ. Luminous Flux (lm) @ 150mA | CRI (min.) | Forward Voltage (V) |
|-------------|----------------|----------------|---------|---------------------------------|------------|---------------------|
| ELHP5630WA0 | 5.6×3×0.65 | ○Cool White | 6500 | 55 | 80 | 2.8~3.5 |
| ELHP5630WA1 | 5.6×3×0.65 | ○Cool White | 5700 | 55 | 80 | 2.8~3.5 |
| ELHP5630WA2 | 5.6×3×0.65 | ○Cool White | 5000 | 55 | 80 | 2.8~3.5 |
| ELHP5630WA3 | 5.6×3×0.65 | ○Neutral White | 4000 | 50 | 80 | 2.8~3.5 |
| ELHP5630WA4 | 5.6×3×0.65 | ○Neutral White | 3500 | 50 | 80 | 2.8~3.5 |
| ELHP5630WA5 | 5.6×3×0.65 | ○Warm White | 3000 | 50 | 80 | 2.8~3.5 |
| ELHP5630WA6 | 5.6×3×0.65 | ○Warm White | 2700 | 45 | 80 | 2.8~3.5 |

Low Middle Power LED | EAHP3030 Series (3030 package)



UNIT : mm

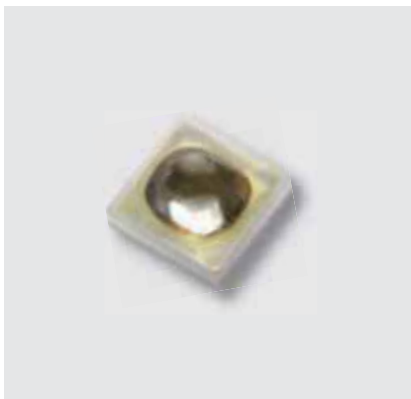


1W / 150mA

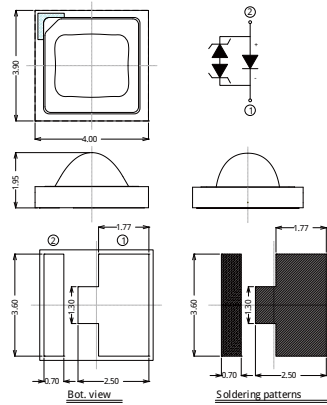
| Product | Size (LxWxHmm) | Color | CCT (K) | Typ. Luminous Flux (lm) @ 150mA | CRI (min.) | Forward Voltage (V) |
|-------------|----------------|----------------|---------|---------------------------------|------------|---------------------|
| EAHP3030WA0 | 3×3×0.63 | ○Cool White | 6500 | 106 | 80 | 5.8~7.0 |
| EAHP3030WA1 | 3×3×0.63 | ○Cool White | 5700 | 110 | 80 | 5.8~7.0 |
| EAHP3030WA2 | 3×3×0.63 | ○Cool White | 5000 | 113 | 80 | 5.8~7.0 |
| EAHP3030WA3 | 3×3×0.63 | ○Neutral White | 4000 | 108 | 80 | 5.8~7.0 |
| EAHP3030WA4 | 3×3×0.63 | ○Neutral White | 3500 | 107 | 80 | 5.8~7.0 |
| EAHP3030WA5 | 3×3×0.63 | ○Warm White | 3000 | 106 | 80 | 5.8~7.0 |
| EAHP3030WA6 | 3×3×0.63 | ○Warm White | 2700 | 101 | 80 | 5.8~7.0 |

Low Middle Power LED

Flash LED | High Power Flash LED | Module Type



UNIT : mm

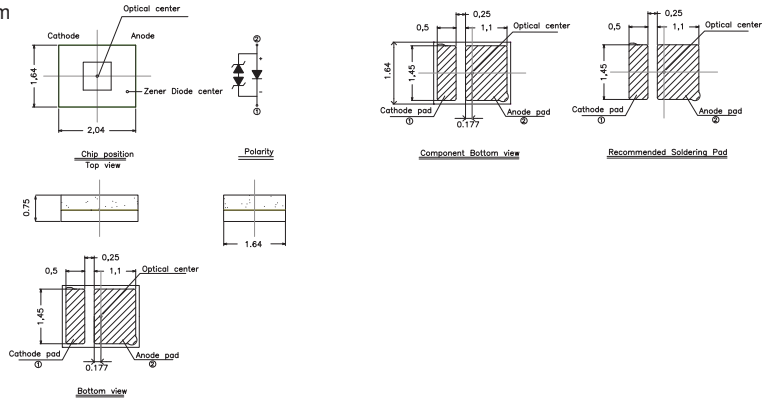


| Product | Size (LxWxHmm) | Color | CCT (K) | Typ. Illuminance (lx) | Forward Voltage (V) | I _F (mA) |
|---------------|----------------|---------|---------|-----------------------|---------------------|---------------------|
| EAFL4039W20A0 | 4x3.9x1.95 | ○ White | 6000 | 200 | 2.95~4.35 | 1000 |

Flash LED | High Power Flash LED | 2016 Package



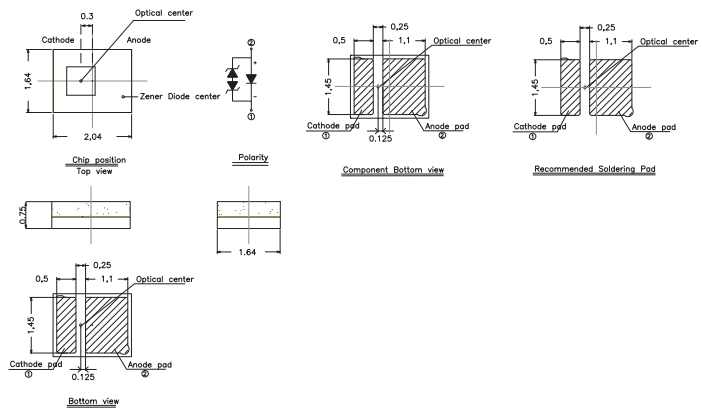
UNIT : mm



| Product | Size (LxWxHmm) | Color | CCT (K) | Typ. Luminous Flux (lm) | Forward Voltage (V) | I _F (mA) |
|---------------|----------------|---------|-----------|-------------------------|---------------------|---------------------|
| EAFL2016W33A0 | 2.04x1.64x0.75 | ○ White | 5000~7000 | 33 | 2.85~3.85 | 150 |



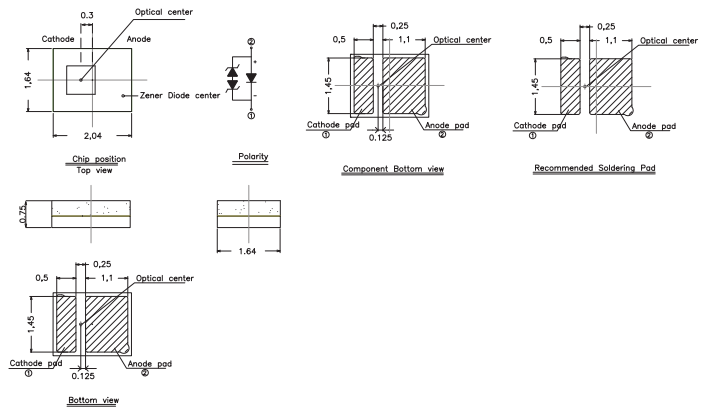
UNIT : mm



| Product | Size (LxWxHmm) | Color | CCT (K) | Typ. Luminous Flux (lm) | Forward Voltage (V) | I _F (mA) |
|---------------|----------------|---------|-----------|-------------------------|---------------------|---------------------|
| EAFL2016W85A0 | 2.04x1.64x0.75 | ○ White | 4500~7000 | 85 | 2.95~4.15 | 500 |



UNIT : mm



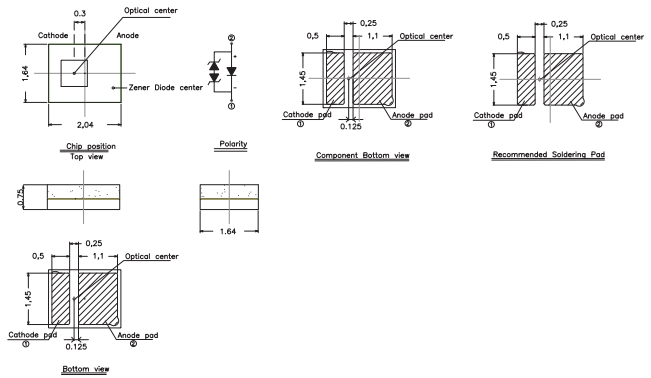
| Product | Size (LxWxHmm) | Color | CCT (K) | Typ. Luminous Flux (lm) | Forward Voltage (V) | I _F (mA) |
|---------------|----------------|---------|-----------|-------------------------|---------------------|---------------------|
| EAFL2016W16A0 | 2.04x1.64x0.75 | ○ White | 4500~7000 | 160 | 2.95~4.35 | 1000 |

Flash LED | High Power Flash LED | 2016 Package

Flash LED



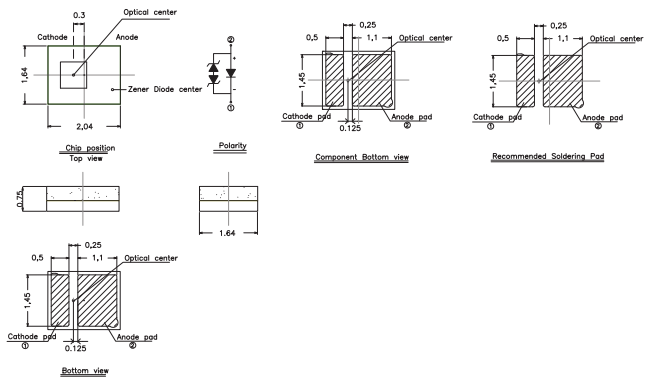
UNIT : mm



| Product | Size (LxWxHmm) | Color | CCT (K) | Typ. Luminous Flux (lm) | Forward Voltage (V) | I _F (mA) |
|---------------|----------------|---------|-----------|-------------------------|---------------------|---------------------|
| EAFL2016W20A0 | 2.04x1.64x0.75 | ○ White | 4500~7000 | 200 | 2.95~4.35 | 1000 |



UNIT : mm

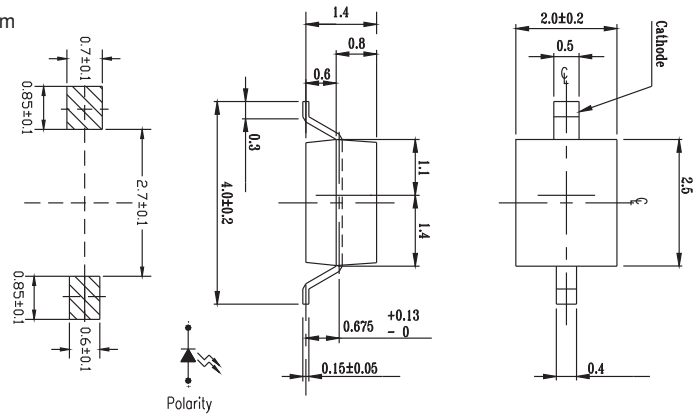


| Product | Size (LxWxHmm) | Color | CCT (K) | Typ. Luminous Flux (lm) | Forward Voltage (V) | I _F (mA) |
|---------------|----------------|---------|-----------|-------------------------|---------------------|---------------------|
| EAFL2016W30A0 | 2.04x1.64x0.7 | ○ White | 5000~7000 | 300 | 2.85~4.15 | 1000 |

SMD LED | Subminiature LED Lamps (Leadframe)



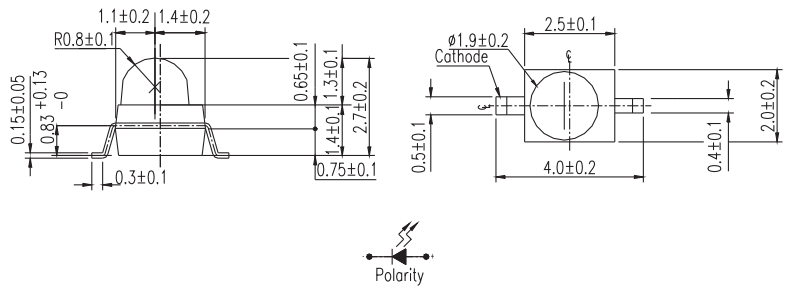
UNIT : mm



| Product | Size (LxWxHmm) | Color | λ_d (nm)/ CIE(x,y) | I_v Min./Typ. (mcd) | I_v Max. (mcd) | V_F Min. (V) | V_F Typ. (V) | V_F Max. (V) | I_F (mA) |
|-------------|----------------|----------------|----------------------------|-----------------------|------------------|----------------|----------------|----------------|------------|
| EASY2520RA0 | 2.5x2x1.4 | ● Deep Red | 639 | 20 / 27 | N | 1.7 | 2 | 2.4 | 20 |
| EASY2520RA1 | 2.5x2x1.4 | ● Hyper Red | 624 | 11 / 26 | N | N | 2 | 2.4 | 20 |
| EASY2520YA0 | 2.5x2x1.4 | ● Super Yellow | 589 | 21 / 33 | N | N | 2 | 2.4 | 20 |



UNIT : mm



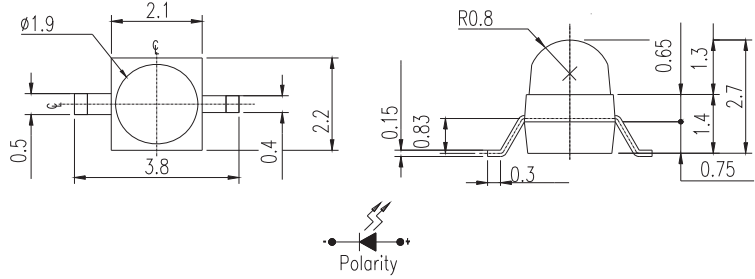
| Product | Size (LxWxHmm) | Color | λ_d (nm)/ CIE(x,y) | I_v Min./Typ. (mcd) | I_v Max. (mcd) | V_F Min. (V) | V_F Typ. (V) | V_F Max. (V) | I_F (mA) |
|-------------|----------------|----------------------|----------------------------|-----------------------|------------------|----------------|----------------|----------------|------------|
| EASG2025GA0 | 2x2.5x2.7 | ● Super Green | 525 | 2000 / 2300 | N | N | 3.5 | 4.3 | 20 |
| EASG2025RA0 | 2x2.5x2.7 | ● Hyper Red | 624 | 802 / 1232 | N | N | 2 | 2.4 | 20 |
| EASG2025GA1 | 2x2.5x2.7 | ● Super Yellow Green | 573 | 528 / 594 | N | N | 2 | 2.4 | 20 |
| EASG2025RA1 | 2x2.5x2.7 | ● Dark Red | 631 | 344 / 578 | N | N | 2 | 2.4 | 20 |

SMD LED

SMD LED | Subminiature LED Lamps (Leadframe)



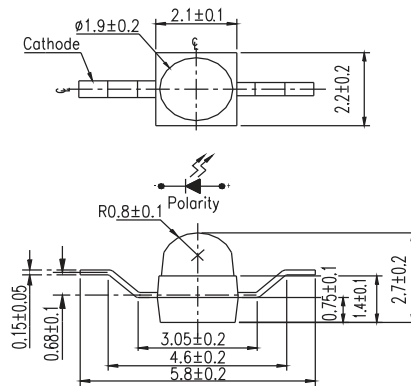
UNIT : mm



| Product | Size (LxWxHmm) | Color | λ_d (nm)/ CIE(x,y) | I_v Min./Typ. (mcd) | I_v Max. (mcd) | V_F Min. (V) | V_F Typ. (V) | V_F Max. (V) | I_F (mA) |
|-------------|----------------|--------------------------|----------------------------|-----------------------|------------------|----------------|----------------|----------------|------------|
| EASG2122GA0 | 2.1x2.2x2.7 | ● Super Green | 525 | 2000 / 2300 | N | N | 3.5 | 4.3 | 20 |
| EASG2122GA1 | 2.1x2.2x2.7 | ● Brilliant Yellow Green | 573 | 264 / 330 | N | 1.7 | 2 | 2.4 | 20 |
| EASG2122RA0 | 2.1x2.2x2.7 | ● Dark Red | 631 | 45 / 100 | N | N | 2 | 2.4 | 20 |
| EASG2122YA0 | 2.1x2.2x2.7 | ● Super Yellow | 589 | 793 / 1156 | N | N | 2 | 2.4 | 20 |
| EASY2122BA0 | 2.1x2.2x2.7 | ● Blue | 470 | 180 / N | 450 | 2.7 | N | 3.7 | 20 |
| EASY2122GA0 | 2.1x2.2x2.7 | ● Brilliant Yellow Green | 573 | 264 / 330 | N | N | 2 | 2.4 | 20 |
| EASY2122RA0 | 2.1x2.2x2.7 | ● Hyper Red | 624 | 400 / 600 | N | N | 2 | 2.4 | 20 |
| EASZ2122YA0 | 2.1x2.2x2.7 | ● Super Yellow | 489 | 463 / 714 | N | N | 2 | 2.4 | 20 |



UNIT : mm



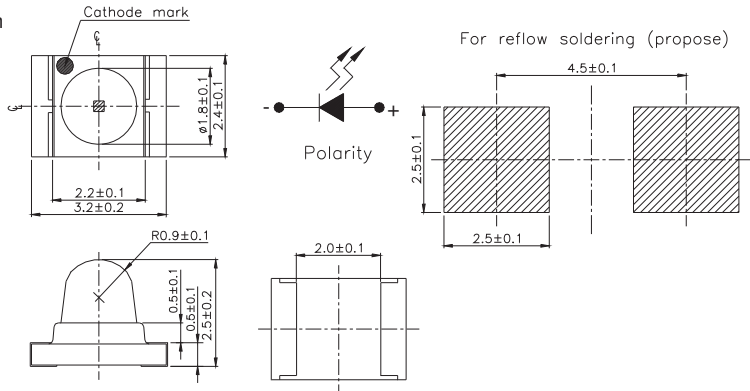
95-21F10/TR10

| Product | Size (LxWxHmm) | Color | λ_d (nm)/ CIE(x,y) | I_v Min./Typ. (mcd) | I_v Max. (mcd) | V_F Min. (V) | V_F Typ. (V) | V_F Max. (V) | I_F (mA) |
|-------------|----------------|-----------------|----------------------------|-----------------------|------------------|----------------|----------------|----------------|------------|
| EASZ2122RA0 | 2.1x2.2x2.7 | ● Brilliant Red | 639 | 330 / 495 | N | 1.7 | 2 | 2.4 | 20 |
| EASZ2122BA0 | 2.1x2.2x2.7 | ● Super Blue | 470 | 500 / 800 | N | N | 3.5 | 4.3 | 20 |

SMD LED | Surface Mount Chip LED (PCB) | Top View LED



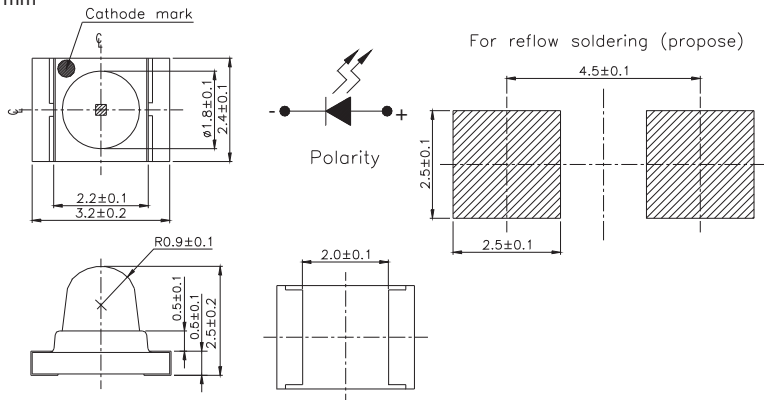
UNIT : mm



| Product | Size (LxWxHmm) | Color | λ_d (nm)/ CIE(x,y) | I_v Min./Typ. (mcd) | I_v Max. (mcd) | V_F Min./Typ. (V) | V_F Max. (V) | I_F (mA) |
|-------------|----------------|--------------------------|----------------------------|-----------------------|------------------|---------------------|----------------|------------|
| EAST1224BA0 | 3.2x2.4x2.5 | ● Blue | 470 | 450 | 1800 | 2.7 / 3.3 | 3.7 | 20 |
| EAST1224AA0 | 3.2x2.4x2.5 | ● Brilliant Orange | 605 | 715 | 4500 | 1.7 / 2 | 2.4 | 20 |
| EAST1224YA0 | 3.2x2.4x2.5 | ● Brilliant YellowOrange | 589 | 760 | 2020 | 1.7 | 2.3 | 20 |



UNIT : mm

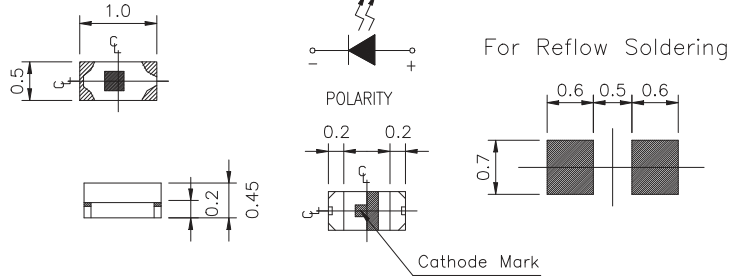


| Product | Size (LxWxHmm) | Color | λ_d (nm)/ CIE(x,y) | I_v Min./Typ. (mcd) | I_v Max. (mcd) | V_F Min./Typ. (V) | V_F Max. (V) | I_F (mA) |
|-------------|----------------|--------------------|----------------------------|-----------------------|------------------|---------------------|----------------|------------|
| EAST3224BA0 | 3.2x2.4x2.5 | ● Blue | 470 | 715 | 1800 | 2.65 | 3.75 | 20 |
| EAST3224GA0 | 3.2x2.4x2.5 | ● Brilliant Yellow | 573 | 285 | 1120 | 1.7 / 2 | 2.4 | 20 |
| EAST3224RA0 | 3.2x2.4x2.5 | ● Brilliant Red | 624 | 1800 | 3600 | 1.75 | 2.35 | 20 |

SMD LED | Surface Mount Chip LED (PCB) | Top View 0402 (0.2T~0.5T)



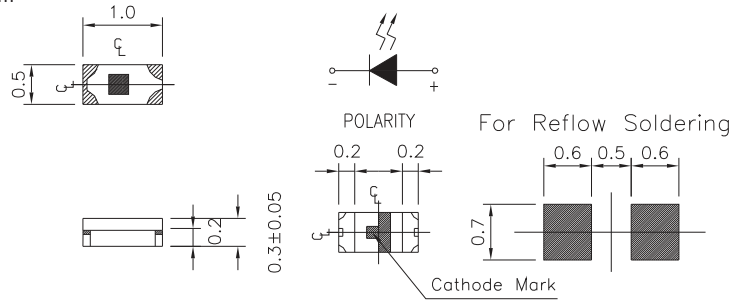
UNIT : mm



| Product | Size (LxWxHmm) | Color | λ_d (nm)/CIE(x,y) | I_v Min./Typ. (mcd) | I_v Max. (mcd) | V_F Min./Typ. (V) | V_F Max. (V) | I_F (mA) |
|-------------|----------------|-------------------|---------------------------|-----------------------|------------------|---------------------|----------------|------------|
| EAST1005BA0 | 1x0.5x0.45 | ● Blue | 470 | 28.5 | 72 | 2.7 / 3.3 | 3.7 | 20 |
| EAST1005BA1 | 1x0.5x0.45 | ● Blue | 470 | 11.5 | 28.5 | 2.7 | 3.2 | 5 |
| EAST1005GA0 | 1x0.5x0.45 | ● Brilliant Green | 525 | 112 | 225 | 2.7 / 3.3 | 3.7 | 20 |
| EAST1005RA0 | 1x0.5x0.45 | ● Brilliant Red | 624 | 20 | 40.5 | 1.7 | 2.2 | 10 |
| EAST1005WA0 | 1x0.5x0.45 | ○ Pure White | x=0.29, y=0.30 | 45 | 112 | 2.7 | 3.2 | 5 |
| EAST1005WA1 | 1x0.5x0.45 | ○ Pure White | x=0.29, y=0.30 | 72 | 140 | 2.7 | 3.2 | 5 |



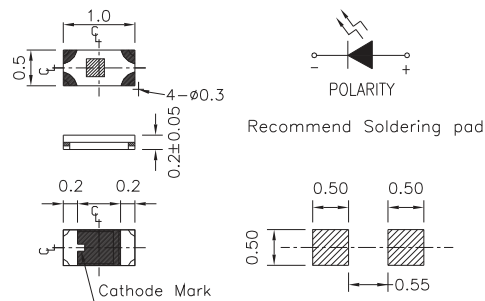
UNIT : mm



| Product | Size (LxWxHmm) | Color | λ_d (nm)/CIE(x,y) | I_v Min./Typ. (mcd) | I_v Max. (mcd) | V_F Min./Typ. (V) | V_F Max. (V) | I_F (mA) |
|--------------|----------------|--------------|---------------------------|-----------------------|------------------|---------------------|----------------|------------|
| EAST10053WA0 | 1x0.5x0.3 | ○ Pure White | x=0.29, y=0.30 | 72 | 180 | 2.6 | 3 | 5 |



UNIT : mm

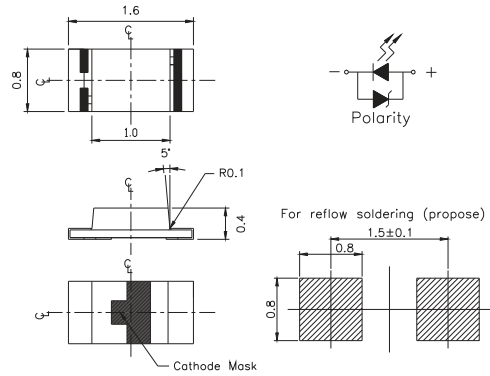


| Product | Size (LxWxHmm) | Color | λ_d (nm)/CIE(x,y) | I_v Min./Typ. (mcd) | I_v Max. (mcd) | V_F Min./Typ. (V) | V_F Max. (V) | I_F (mA) |
|--------------|----------------|--------------|---------------------------|-----------------------|------------------|---------------------|----------------|------------|
| EAST10052WA0 | 1x0.5x0.2 | ○ Pure White | x=0.29, y=0.30 | 140 | 360 | 2.7 | 3.2 | 5 |

SMD LED | Surface Mount Chip LED (PCB) | Top View 0603 (0.2T~0.8T)



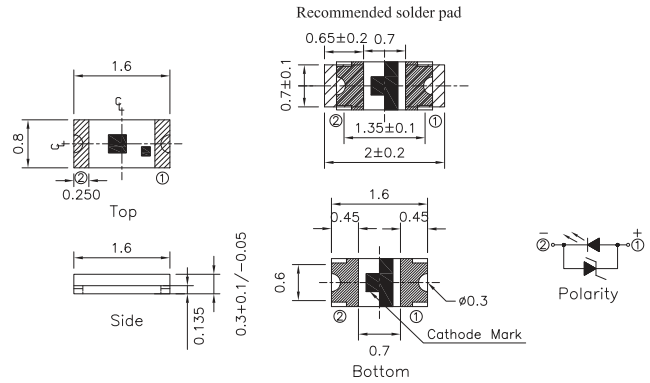
UNIT : mm



| Product | Size (LxWxHmm) | Color | λ_d (nm)/CIE(x,y) | I_v Min./Typ. (mcd) | I_v Max. (mcd) | V_F Min./Typ. (V) | V_F Max. (V) | I_F (mA) |
|--------------|----------------|--------------|---------------------------|-----------------------|------------------|---------------------|----------------|------------|
| EAST16084WA4 | 1.6x0.8x0.4 | ○ Pure White | x=0.274, y=0.226 | 72 | 180 | 2.7 | 2.85 | 5 |
| EAST16084BA0 | 1.6x0.8x0.4 | ● Blue | 470 | 11.5 | 28.5 | 2.5 | 3.1 | 5 |
| EAST16084WA0 | 1.6x0.8x0.4 | ○ Pure White | x=0.274, y=0.226 | 57 | 112 | 2.7 | 3.2 | 5 |



UNIT : mm



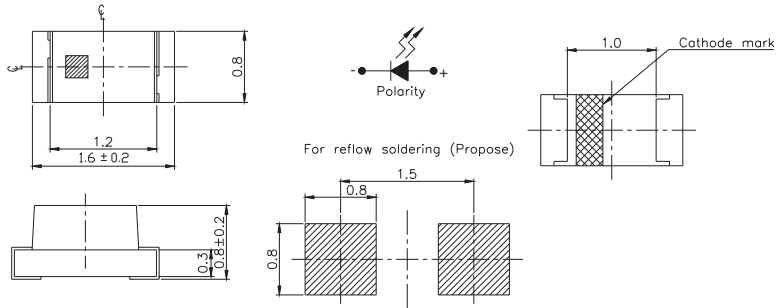
| Product | Size (LxWxHmm) | Color | λ_d (nm)/CIE(x,y) | I_v Min./Typ. (mcd) | I_v Max. (mcd) | V_F Min./Typ. (V) | V_F Max. (V) | I_F (mA) |
|--------------|----------------|--------|---------------------------|-----------------------|------------------|---------------------|----------------|------------|
| EAST16083BA0 | 1.6x0.8x0.3 | ● Blue | 470 | 11.5 | 28.5 | 2.7 | 3.2 | 5 |
| EAST16083BA2 | 1.6x0.8x0.3 | ● Blue | 470 | 22.5 | 57 | 2.7 | 3 | 5 |

SMD LED

SMD LED | Surface Mount Chip LED (PCB) | Top View 0603 (0.2T~0.8T)



UNIT : mm

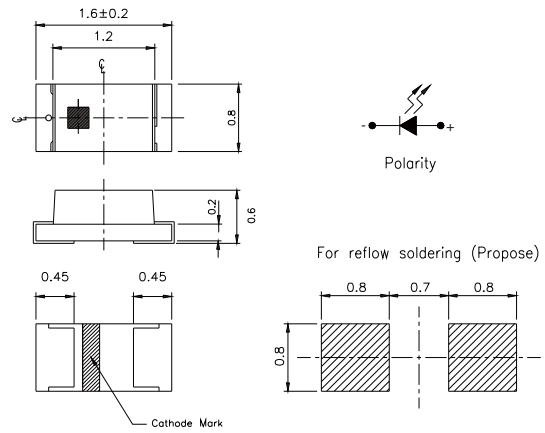


| Product | Size (LxWxHmm) | Color | λ_d (nm)/CIE(x,y) | I_v Min./Typ. (mcd) | I_v Max. (mcd) | V_F Min./Typ. (V) | V_F Max. (V) | I_F (mA) |
|-------------|----------------|------------------------|---------------------------|-----------------------|------------------|---------------------|----------------|------------|
| EAST1608BA0 | 1.6x0.8x0.8 | Blue | 470 | 57 | 112 | 2.75 | 3.95 | 20 |
| EAST1608BA1 | 1.6x0.8x0.8 | Blue | 470 | 45 | 112 | 2.7 / 3.3 | 3.7 | 20 |
| EAST1608BA2 | 1.6x0.8x0.8 | Blue | 470 | 72 | 180 | 2.7 | 3.7 | 20 |
| EAST1608GA0 | 1.6x0.8x0.8 | Brilliant Yellow Green | 573 | 11.5 | 28.5 | 1.7 | 2.3 | 5 |
| EAST1608GA1 | 1.6x0.8x0.8 | Brilliant Yellow Green | 573 | 18 | 45 | 1.75 | 2.35 | 20 |
| EAST1608GA2 | 1.6x0.8x0.8 | Brilliant Yellow Green | 573 | 45 | 90 | 1.7 | 2.3 | 20 |
| EAST1608GA3 | 1.6x0.8x0.8 | Brilliant Green | 525 | 28.5 | 72 | 2.7 | 3.2 | 5 |
| EAST1608GA4 | 1.6x0.8x0.8 | Green | 562 | 11.5 | 28.5 | 1.75 | 2.35 | 20 |
| EAST1608RA0 | 1.6x0.8x0.8 | Brilliant Red | 624 | 14.5 | 36 | 1.7 | 2.2 | 5 |
| EAST1608RA1 | 1.6x0.8x0.8 | Brilliant Red | 624 | 45 | 112 | 1.7 | 2.3 | 20 |
| EAST1608RA2 | 1.6x0.8x0.8 | Deep Red | 631 | 7.2 | 18 | 1.75 | 2.35 | 5 |
| EAST1608RA3 | 1.6x0.8x0.8 | Deep Red | 631 | 36 | 90 | 1.75 | 2.35 | 20 |
| EAST1608RA4 | 1.6x0.8x0.8 | Deep Red | 639 | 36 | 90 | 1.7 | 2.3 | 20 |
| EAST1608AA0 | 1.6x0.8x0.8 | Brilliant Orange | 605 | 14.5 | 28.5 | 1.7 | 2.2 | 5 |
| EAST1608AA1 | 1.6x0.8x0.8 | Brilliant Orange | 605 | 72 | 180 | 1.75 | 2.35 | 20 |
| EAST1608WA1 | 1.6x0.8x0.8 | Pure White | $x=0.274, y=0.226$ | 45 | 112 | 2.6 | 3 | 5 |
| EAST1608YA0 | 1.6x0.8x0.8 | Brilliant Yellow | 589 | 11.5 | 28.5 | 1.7 | 2.2 | 5 |
| EAST1608YA1 | 1.6x0.8x0.8 | Brilliant Yellow | 589 | 45 | 112 | 1.75 | 2.35 | 20 |
| EAST1608YA2 | 1.6x0.8x0.8 | Brilliant Yellow | 590 | 45 | 112 | 1.7 | 2.4 | 20 |
| EAST1608YA3 | 1.6x0.8x0.8 | Brilliant Yellow | 589 | 53 / 80 | N | 1.7 | 2 | 20 |
| EAST1608AA2 | 1.6x0.8x0.8 | Brilliant Orange | 605 | 28.5 | 72 | 1.75 | 2.35 | 20 |
| EAST1608GA5 | 1.6x0.8x0.8 | Brilliant Yellow Green | 572 | 22.5 | 57 | 1.75 | 2.35 | 20 |
| EAST1608GA6 | 1.6x0.8x0.8 | Green | 568 | 11.5 | 45 | 1.75 | 2.35 | 20 |
| EAST1608GA8 | 1.6x0.8x0.8 | Green | 573 | 13 | 17 | 1.7 | 2.4 | 20 |
| EAST1608GA9 | 1.6x0.8x0.8 | Green | 573 | 16 / 21 | N | 1.7 | 2.4 | 20 |
| EAST1608RA5 | 1.6x0.8x0.8 | Deep Red | 639 | 15 / 27 | N | 2 | 2.4 | 20 |
| EAST1608RA6 | 1.6x0.8x0.8 | Brilliant Red | 624 | 37 / 56 | N | 2 | 2.4 | 20 |

SMD LED | Surface Mount Chip LED (PCB) | Top View 0603 (0.2T~0.8T)



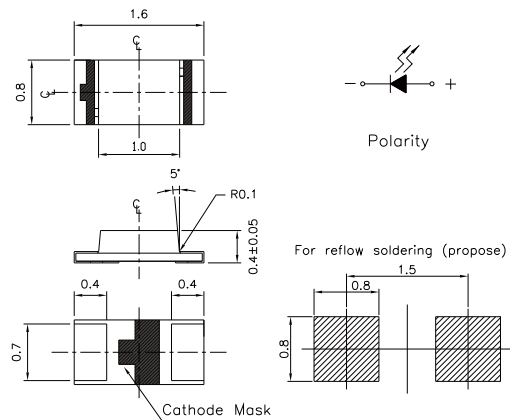
UNIT : mm



| Product | Size (LxWxHmm) | Color | λ_d (nm)/CIE(x,y) | I_V Min./Typ. (mcd) | I_V Max. (mcd) | V_F Min./Typ. (V) | V_F Max. (V) | I_F (mA) |
|--------------|----------------|--------------|---------------------------|-----------------------|------------------|---------------------|----------------|------------|
| EAST16086WA0 | 1.6x0.8x0.6 | ○ Pure White | x=0.274, y=0.226 | 57 | 112 | 2.7 | 3.15 | 5 |
| EAST16086WA2 | 1.6x0.8x0.6 | ○ Pure White | x=0.294, y=0.256 | 180 | 360 | 2.9 | 3.6 | 20 |



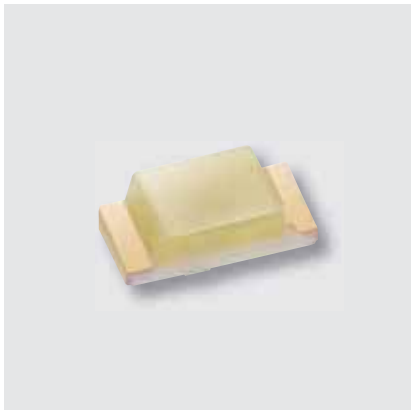
UNIT : mm



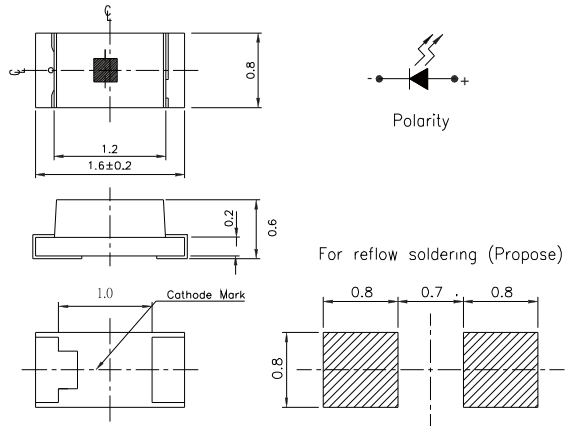
| Product | Size (LxWxHmm) | Color | λ_d (nm)/CIE(x,y) | I_V Min./Typ. (mcd) | I_V Max. (mcd) | V_F Min./Typ. (V) | V_F Max. (V) | I_F (mA) |
|--------------|----------------|--------------------|---------------------------|-----------------------|------------------|---------------------|----------------|------------|
| EAST16084BA1 | 1.6x0.8x0.4 | ● Blue | 470 | 28.5 | 112 | 2.75 | 3.65 | 20 |
| EAST16084BA2 | 1.6x0.8x0.4 | ● Blue | 470 | 28.5 | 72 | 2.7 / 3.3 | 3.7 | 20 |
| EAST16084GA1 | 1.6x0.8x0.4 | ● Brilliant Green | 525 | 112 | 285 | 2.7 / 3.3 | 3.7 | 20 |
| EAST16084RA0 | 1.6x0.8x0.4 | ● Brilliant Red | 624 | 45 | 112 | 1.7 / 2 | 2.4 | 20 |
| EAST16084AA0 | 1.6x0.8x0.4 | ● Brilliant Orange | 605 | 11.5 | 28.5 | 1.7 | 2.2 | 5 |
| EAST16084OA0 | 1.6x0.8x0.4 | ● Reddish Orange | 615 | 14.5 | 36 | 1.7 | 2.2 | 5 |
| EAST16084WA1 | 1.6x0.8x0.4 | ○ Pure White | x=0.274, y=0.226 | 28.5 | 72 | 2.7 | 3.15 | 5 |
| EAST16084WA2 | 1.6x0.8x0.4 | ○ Pure White | x=0.274, y=0.226 | 45 | 112 | 2.7 | 3.2 | 5 |
| EAST16084WA3 | 1.6x0.8x0.4 | ○ Pure White | x=0.274, y=0.226 | 45 | 112 | 2.6 | 3 | 5 |
| EAST16084YA0 | 1.6x0.8x0.4 | ● Brilliant Yellow | 589 | 16 | 40 | 1.65 | 2.25 | 5 |
| EAST16084YA1 | 1.6x0.8x0.4 | ● Brilliant Yellow | 589 | 45 | 112 | 1.75 | 2.35 | 20 |
| EAST16084YA2 | 1.6x0.8x0.4 | ● Brilliant Yellow | 589 | 90 | 180 | 1.7 / 2 | 2.4 | 20 |

SMD LED

SMD LED | Surface Mount Chip LED (PCB) | Top View 0603 (0.2T~0.8T)

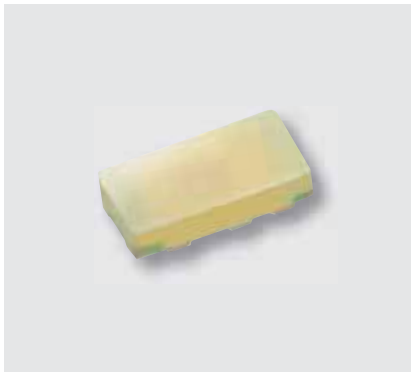


UNIT : mm

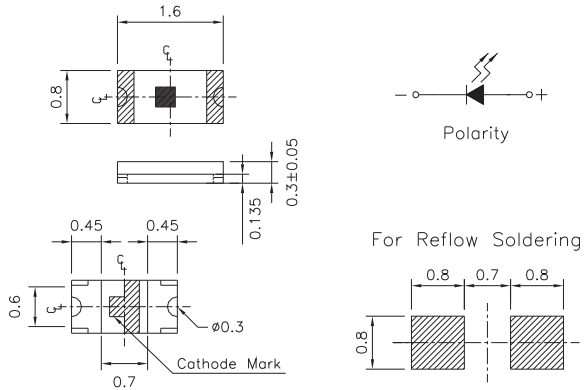


| Product | Size (LxWxHmm) | Color | λ_d (nm)/CIE(x,y) | I_v Min./Typ. (mcd) | I_v Max. (mcd) | V_F Min./Typ. (V) | V_F Max. (V) | I_F (mA) |
|--------------|----------------|--------------------------|---------------------------|-----------------------|------------------|---------------------|----------------|------------|
| EAST16086YA0 | 1.6x0.8x0.6 | ● Brilliant Yellow | 589 | 72 | 180 | 1.7 / 2 | 2.4 | 20 |
| EAST16086BA0 | 1.6x0.8x0.6 | ● Blue | 470 | 90 | 225 | 2.9 | 3.6 | 20 |
| EAST16086BA1 | 1.6x0.8x0.6 | ● Blue | 470 | 28.5 | 72 | 2.7 / 3.3 | 3.7 | 20 |
| EAST16086GA0 | 1.6x0.8x0.6 | ● Brilliant Yellow Green | 573 | 45 | 112 | 2 | 2.4 | 20 |
| EAST16086GA3 | 1.6x0.8x0.6 | ● Brilliant Yellow Green | 573 | 18 | 45 | 1.75 | 2.35 | 20 |
| EAST16086GA4 | 1.6x0.8x0.6 | ● Brilliant Yellow Green | 573 | 36 | 90 | 1.7 | 2.3 | 20 |
| EAST16086GA5 | 1.6x0.8x0.6 | ● Brilliant Yellow Green | 573 | 28.5 | 57 | 1.75 | 2.35 | 20 |
| EAST16086GA1 | 1.6x0.8x0.6 | ● Brilliant Green | 525 | 180 | 360 | 2.7 | 3.7 | 20 |
| EAST16086GA6 | 1.6x0.8x0.6 | ● Brilliant Green | 525 | 45 | 112 | 2.7 | 3.2 | 5 |
| EAST16086GA7 | 1.6x0.8x0.6 | ● Brilliant Green | 525 | 112 | 285 | 3.5 | 4 | 20 |
| EAST16086RA0 | 1.6x0.8x0.6 | ● Brilliant Red | 624 | 22.5 | 57 | 1.7 | 2.2 | 5 |
| EAST16086RA2 | 1.6x0.8x0.6 | ● Brilliant Red | 624 | 28.5 | 72 | 1.7 / 2 | 2.4 | 20 |
| EAST16086RA3 | 1.6x0.8x0.6 | ● Brilliant Red | 624 | 36 | 90 | 1.75 | 2.35 | 20 |
| EAST16086RA4 | 1.6x0.8x0.6 | ● Brilliant Red | 624 | 45 | 112 | 1.75 | 2.35 | 20 |
| EAST16086RA5 | 1.6x0.8x0.6 | ● Brilliant Red | 624 | 72 | 180 | 1.75 | 2.35 | 20 |
| EAST16086RA1 | 1.6x0.8x0.6 | ● Deep Red | 639 | 28.5 | 72 | 1.7 / 2 | 2.4 | 20 |
| EAST16086AA0 | 1.6x0.8x0.6 | ● Brilliant Orange | 605 | 28.5 | 72 | 1.75 | 2.35 | 20 |
| EAST16086OA0 | 1.6x0.8x0.6 | ● Reddish Orange | 615 | 36 | 72 | 1.75 | 2.35 | 20 |
| EAST16086WA3 | 1.6x0.8x0.6 | ○ Pure White | x=0.274, y=0.226 | 28.5 | 72 | 2.7 | 3.15 | 5 |
| EAST16086YA1 | 1.6x0.8x0.6 | ● Brilliant Yellow | 589 | 45 | 112 | 1.75 | 2.35 | 20 |
| EAST16086YA2 | 1.6x0.8x0.6 | ● Brilliant Yellow | 589 | 28.5 | 72 | 1.7 / 2 | 2.4 | 20 |
| EAST16086YA3 | 1.6x0.8x0.6 | ● Brilliant Yellow | 589 | 45 | 112 | 1.7 | 2.3 | 20 |
| EAST16086YA4 | 1.6x0.8x0.6 | ● Brilliant Yellow | 589 | 90 | 180 | 1.7 | 2.3 | 20 |
| EAST1608BA2 | 1.6x0.8x0.6 | ● Blue | 470 | 72 | 180 | 2.7 | 3.7 | 20 |
| EAST16086GA2 | 1.6x0.8x0.6 | ● Brilliant Yellow Green | 573 | 57 | 112 | 1.7 / 2 | 2.4 | 20 |
| EAST16086RA6 | 1.6x0.8x0.6 | ● Brilliant Red | 624 | 140 | 285 | 1.75 | 2.35 | 20 |
| EAST16086RA7 | 1.6x0.8x0.6 | ● Dark Red | 631 | 72 | 180 | 1.7 / 2 | 2.4 | 20 |
| EAST16086YA5 | 1.6x0.8x0.6 | ● Brilliant Yellow | 589 | 36 | 72 | 1.7 | 2.2 | 10 |
| EAST16086GA8 | 1.6x0.8x0.6 | ● Brilliant Yellow Green | 573 | 36 | 75 | 1.75 | 2.35 | 20 |
| EAST16086GB1 | 1.6x0.8x0.6 | ● Brilliant Yellow Green | 573 | 28 / 33 | -- | 2 | 2.4 | 20 |
| EAST16086AA1 | 1.6x0.8x0.6 | ● Brilliant Orange | 605 | 16 / 24 | -- | 1.7 / 2 | 2.4 | 20 |

SMD LED | Surface Mount Chip LED (PCB) | Top View 0603 (0.2T~0.8T)



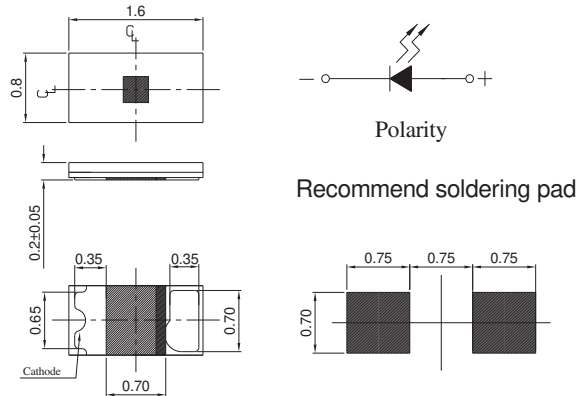
UNIT : mm



| Product | Size (LxWxHmm) | Color | λ_d (nm)/CIE(x,y) | I_v Min./Typ. (mcd) | I_v Max. (mcd) | V_F Min./Typ. (V) | V_F Max. (V) | I_F (mA) |
|--------------|----------------|--------------------|---------------------------|-----------------------|------------------|---------------------|----------------|------------|
| EAST16083BA1 | 1.6x0.8x0.3 | ● Blue | 470 | 11.5 | 28.5 | 2.7 | 3.2 | 5 |
| EAST16083GA0 | 1.6x0.8x0.3 | ● Brilliant Green | 525 | 112 | 285 | 2.75 | 3.95 | 20 |
| EAST16083RA0 | 1.6x0.8x0.3 | ● Brilliant Red | 624 | 11.5 | 28.5 | 1.7 | 2.2 | 5 |
| EAST16083RA1 | 1.6x0.8x0.3 | ● Brilliant Red | 624 | 22.5 | 57 | 1.7 | 2 | 5 |
| EAST16083WA2 | 1.6x0.8x0.3 | ○ Pure White | x=0.274, y=0.226 | 90 | 180 | 2.6 | 3 | 5 |
| EAST16083GA1 | 1.6x0.8x0.3 | ● Brilliant Yellow | 573 | 7.2 | 18 | 1.7 | 2 | 5 |



UNIT : mm



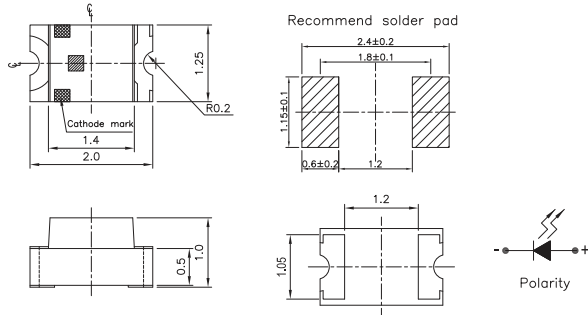
| Product | Size (LxWxHmm) | Color | λ_d (nm)/CIE(x,y) | I_v Min./Typ. (mcd) | I_v Max. (mcd) | V_F Min./Typ. (V) | V_F Max. (V) | I_F (mA) |
|--------------|----------------|--------------------|---------------------------|-----------------------|------------------|---------------------|----------------|------------|
| EAST16082WA0 | 1.6x0.8x0.2 | ○ Pure White | x=0.274, y=0.226 | 90 | 180 | 2.6 | 3 | 5 |
| EAST16082WA1 | 1.6x0.8x0.2 | ○ Pure White | x=0.274, y=0.226 | 715 | 1420 | 2.75 | 3.65 | 20 |
| EAST16082YA0 | 1.6x0.8x0.2 | ● Brilliant Yellow | 589 | 18 | 45 | 1.7 | 2.2 | 5 |

SMD LED

SMD LED | Surface Mount Chip LED (PCB) | Top View 0805



UNIT : mm

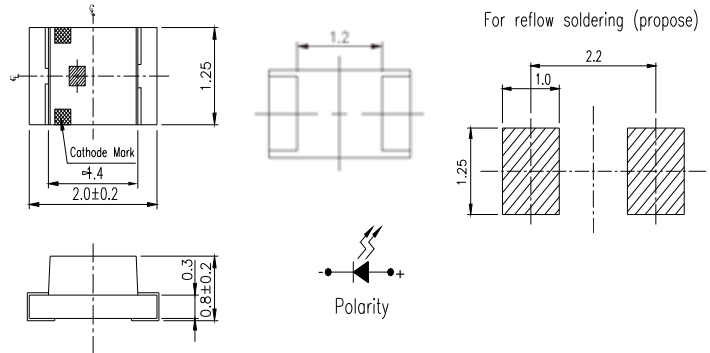


| Product | Size (LxWxHmm) | Color | λ_d (nm)/CIE(x,y) | I_v Min./Typ. (mcd) | I_v Max. (mcd) | V_F Min./Typ. (V) | V_F Max. (V) | I_F (mA) |
|-------------|----------------|------------------------|---------------------------|-----------------------|------------------|---------------------|----------------|------------|
| EAST2012BA1 | 2x1.25x1 | Blue | 470 | 28.5 | 72 | 3.5 | 4 | 20 |
| EAST2012BA2 | 2x1.25x1 | Blue | 470 | 45 | 112 | 2.7 / 3.3 | 3.7 | 20 |
| EAST2012BA0 | 2x1.25x1 | Blue | 470 | 11.5 | 28.5 | 2.7 | 3.1 | 5 |
| EAST2012GA0 | 2x1.25x1 | Brilliant Yellow Green | 573 | 28.5 | 57 | 1.75 | 2.35 | 20 |
| EAST2012GA1 | 2x1.25x1 | Brilliant Yellow Green | 573 | 45 | 90 | 1.75 | 2.35 | 20 |
| EAST2012GA2 | 2x1.25x1 | Brilliant Yellow Green | 573 | 18 | 45 | 1.75 | 2.35 | 20 |
| EAST2012GA3 | 2x1.25x1 | Brilliant Yellow Green | 573 | 28.5 | 72 | 1.75 | 2.35 | 20 |
| EAST2012GA4 | 2x1.25x1 | Brilliant Yellow Green | 573 | 45 | 90 | 1.75 | 2.35 | 20 |
| EAST2012GA5 | 2x1.25x1 | Brilliant Green | 525 | 180 | 450 | 2.75 | 3.95 | 20 |
| EAST2012GA6 | 2x1.25x1 | Brilliant Green | 525 | 112 | 285 | 3.5 | 4 | 20 |
| EAST2012GA7 | 2x1.25x1 | Green | 562 | 7.2 | 22.5 | 1.75 | 2.35 | 20 |
| EAST2012GA8 | 2x1.25x1 | Green | 565 | 18 | 72 | 1.75 | 2.35 | 20 |
| EAST2012RA0 | 2x1.25x1 | Brilliant Red | 624 | 36 | 90 | 1.75 | 2.35 | 20 |
| EAST2012RA1 | 2x1.25x1 | Brilliant Red | 624 | 45 | 112 | 1.7 | 2.3 | 20 |
| EAST2012RA2 | 2x1.25x1 | Deep Red | 631 | 36 | 90 | 1.75 | 2.35 | 20 |
| EAST2012RA3 | 2x1.25x1 | Deep Red | 631 | 36 | 90 | 1.75 | 2.35 | 20 |
| EAST2012GA9 | 2x1.25x1 | Brilliant Yellow Green | 573 | 12 / 17 | -- | 1.7 | 2.4 | 20 |
| EAST2012OA0 | 2x1.25x1 | Reddish Orange | 615 | 15 / 38 | -- | 1.7 | 2.4 | 20 |
| EAST2012WA1 | 2x1.25x1 | Pure White | x=0.274, y=0.226 | 57 | 140 | 2.6 | 3 | 5 |
| EAST2012YA3 | 2x1.25x1 | Brilliant Yellow | 589 | 28.5 | 72 | 1.75 | 2.35 | 20 |
| EAST2012WA3 | 2x1.25x1 | Pure White | x=0.274, y=0.226 | 45 | 112 | 2.7 | 3.15 | 5 |
| EAST2012YA0 | 2x1.25x1 | Brilliant Yellow | 589 | 28.5 | 72 | 1.7 / 2 | 2.4 | 20 |
| EAST2012YA1 | 2x1.25x1 | Brilliant Yellow | 589 | 28.5 | 72 | 1.75 | 2.35 | 20 |
| EAST2012YA2 | 2x1.25x1 | Brilliant Yellow | 589 | 57 | 112 | 1.75 | 2.35 | 20 |
| EAST2012AA0 | 2x1.25x1 | Brilliant Orange | 605 | 40 / 60 | -- | 2 | 2.4 | 20 |

SMD LED | Surface Mount Chip LED (PCB) | Top View 0805



UNIT : mm



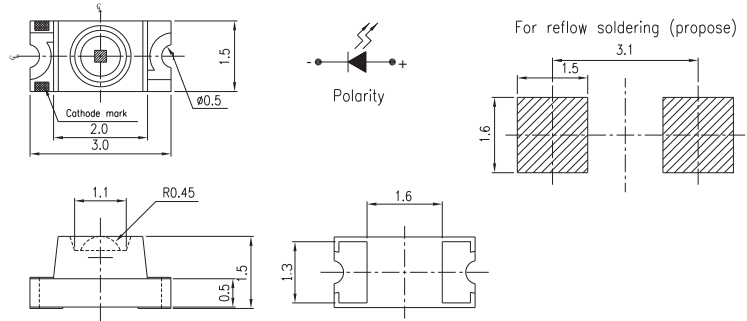
| Product | Size (LxWxHmm) | Color | λ_d (nm)/ CIE(x,y) | I_v Min./Typ. (mcd) | I_v Max. (mcd) | V_F Min./Typ. (V) | V_F Max. (V) | I_F (mA) |
|--------------|----------------|--------------------------|----------------------------|-----------------------|------------------|---------------------|----------------|------------|
| EAST20128BA1 | 2x1.25x0.8 | ● Blue | 470 | 28.5 | 72 | 2.7 / 3.3 | 3.7 | 20 |
| EAST20128BA2 | 2x1.25x0.8 | ● Blue | 470 | 57 | 112 | 2.75 | 3.95 | 20 |
| EAST20128GA0 | 2x1.25x0.8 | ● Brilliant Yellow Green | 573 | 18 | 45 | 1.7 | 2.3 | 20 |
| EAST20128GA1 | 2x1.25x0.8 | ● Brilliant Yellow Green | 573 | 36 | 72 | 1.75 | 2.35 | 20 |
| EAST20128RA0 | 2x1.25x0.8 | ● Brilliant Red | 624 | 72 | 180 | 1.75 | 2.35 | 20 |
| EAST20128AA0 | 2x1.25x0.8 | ● Brilliant Orange | 605 | 72 | 180 | 1.75 | 2.35 | 20 |
| EAST20128AA1 | 2x1.25x0.8 | ● Brilliant Orange | 605 | 57 | 180 | 1.75 | 2.35 | 20 |
| EAST20128GA2 | 2x1.25x0.8 | ● Brilliant Yellow Green | 573 | 180 | 450 | 2.7 / 3.3 | 3.7 | 20 |
| EAST20128GA3 | 2x1.25x0.8 | ● Brilliant Green | 525 | 112 | 285 | 2.7 / 3.3 | 3.7 | 20 |
| EAST20128GA4 | 2x1.25x0.8 | ● Brilliant Yellow Green | 568 | 11.6 | 45 | 1.75 | 2.35 | 20 |
| EAST20128RA1 | 2x1.25x0.8 | ● Deep Red | 632 | 36 | 72 | 1.75 | 2.35 | 20 |
| EAST20128RA2 | 2x1.25x0.8 | ● Deep Red | 638 | 28.5 | 72 | 1.7 / 2 | 2.4 | 20 |

SMD LED

SMD LED | Surface Mount Chip LED (PCB) | Top View 1206



UNIT : mm

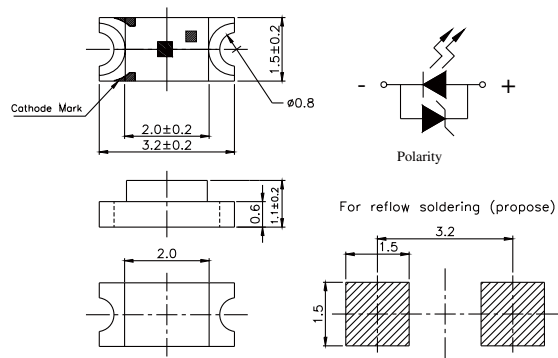


| Product | Size (LxWxHmm) | Color | λ_d (nm)/CIE(x,y) | I_v Min./Typ. (mcd) | I_v Max. (mcd) | V_F Min./Typ. (V) | V_F Max. (V) | I_F (mA) |
|-------------|----------------|--------------------------|---------------------------|-----------------------|------------------|---------------------|----------------|------------|
| EAST3015GA0 | 3x1.5x1.5 | ● Brilliant Yellow Green | 573 | 72 | 180 | 1.75 | 2.35 | 20 |
| EAST3015GA1 | 3x1.5x1.5 | ● Brilliant Yellow Green | 573 | 36 | 72 | 1.75 | 2.35 | 20 |
| EAST3015GA2 | 3x1.5x1.5 | ● Brilliant Green | 525 | 285 | 715 | 3.5 / 4.3 | -- | 20 |
| EAST3015RA0 | 3x1.5x1.5 | ● Brilliant Red | 624 | 45 | 112 | 1.7 | 2.3 | 10 |
| EAST3015RA1 | 3x1.5x1.5 | ● Brilliant Red | 624 | 140 | 285 | 1.75 | 2.35 | 20 |
| EAST3015YA0 | 3x1.5x1.5 | ● Brilliant Yellow | 589 | 57 | 112 | 1.75 | 2.35 | 20 |
| EAST3015GA3 | 3x1.5x1.5 | ● Brilliant Yellow Green | 639 | 63 / 100 | N | 1.7 | 2.4 | 20 |
| EAST3015RA2 | 3x1.5x1.5 | ● Deep Red | 639 | 40 / 62 | N | 1.7 | 2.4 | 20 |
| EAST3015RA3 | 3x1.5x1.5 | ● Brilliant Red | 624 | 68 / 102 | N | 1.7 | 2.4 | 20 |
| EAST3015YA1 | 3x1.5x1.5 | ● Brilliant Yellow | 589 | 68 / 106 | N | 2 | 2.4 | 20 |

SMD LED



UNIT : mm

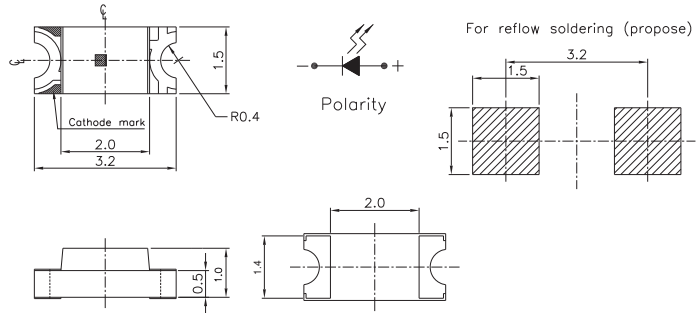


| Product | Size (LxWxHmm) | Color | λ_d (nm)/CIE(x,y) | I_v Min./Typ. (mcd) | I_v Max. (mcd) | V_F Min./Typ. (V) | V_F Max. (V) | I_F (mA) |
|-------------|----------------|--------------|---------------------------|-----------------------|------------------|---------------------|----------------|------------|
| EAST3215BA0 | 3.2x1.5x1 | ● Blue | 470 | 28.5 | 72 | 2.7 / 3.3 | 3.7 | 20 |
| EAST3215BA1 | 3.2x1.5x1 | ● Blue | 470 | 14.5 | 36 | 2.7 | 3.2 | 5 |
| EAST3215WA0 | 3.2x1.5x1 | ○ Pure White | x=0.274, y=0.226 | 45 | 112 | 2.7 | 3.15 | 5 |

SMD LED | Surface Mount Chip LED (PCB) | Top View 1206



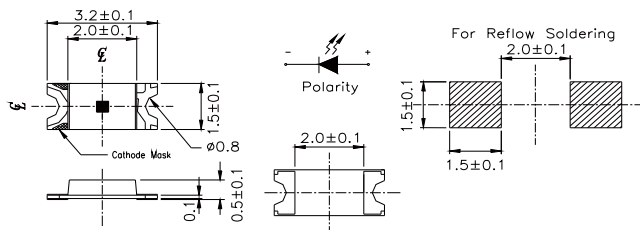
UNIT : mm



| Product | Size (LxWxHmm) | Color | λ_d (nm)/CIE(x,y) | I_v Min./Typ. (mcd) | I_v Max. (mcd) | V_F Min./Typ. (V) | V_F Max. (V) | I_F (mA) |
|-------------|----------------|------------------------|---------------------------|-----------------------|------------------|---------------------|----------------|------------|
| EAST3215GA7 | 3.2x1.5x1 | Brilliant Yellow Green | 573 | 16 / 24 | -- | 1.7 / 2 | 2 | 20 |
| EAST3215BA3 | 3.2x1.5x1 | Blue | 470 | 72 | 140 | 2.7 | 3.7 | 20 |
| EAST3215BA4 | 3.2x1.5x1 | Blue | 470 | 28.5 | 72 | 2.7 / 3.3 | 3.7 | 20 |
| EAST3215GA0 | 3.2x1.5x1 | Brilliant Yellow Green | 573 | 7.2 | 18 | 1.7 | 2.2 | 5 |
| EAST3215GA1 | 3.2x1.5x1 | Brilliant Yellow Green | 573 | 18 | 45 | 1.75 | 2.35 | 20 |
| EAST3215GA2 | 3.2x1.5x1 | Brilliant Yellow Green | 573 | 45 | 90 | 1.7 | 2.3 | 20 |
| EAST3215GA3 | 3.2x1.5x1 | Brilliant Green | 525 | 140 | 285 | 2.7 / 3.3 | 3.7 | 20 |
| EAST3215GA6 | 3.2x1.5x1 | Brilliant Yellow Green | 573 | 15 / 21 | -- | 2 | 2.4 | 20 |
| EAST3215RA0 | 3.2x1.5x1 | Brilliant Red | 624 | 28.5 | 72 | 1.7 / 2 | 2.4 | 20 |
| EAST3215RA1 | 3.2x1.5x1 | Brilliant Red | 624 | 72 | 140 | 1.75 | 2.35 | 20 |
| EAST3215RA6 | 3.2x1.5x1 | Brilliant Red | 624 | 85 / 133 | -- | 2 | 2.4 | 20 |
| EAST3215YA2 | 3.2x1.5x1 | Brilliant Yellow | 589 | 51 / 77 | -- | 2 | 2.4 | 20 |
| EAST3215OA0 | 3.2x1.5x1 | Reddish Orange | 615 | 45 | 112 | 1.7 / 2.0 | 2.4 | 20 |
| EAST3215WA1 | 3.2x1.5x1 | Pure White | x=0.274, y=0.226 | 45 | 112 | 2.6 | 3 | 5 |
| EAST3215WA2 | 3.2x1.5x1 | Pure White | x=0.274, y=0.226 | 90 | 225 | 2.7 | 3.3 | 5 |
| EAST3215WA3 | 3.2x1.5x1 | Pure White | x=0.274, y=0.226 | 45 / 72 | 112 | 2.7 / 2.9 | 3.15 | 5 |
| EAST3215YA0 | 3.2x1.5x1 | Brilliant Yellow | 589 | 28.5 | 72 | 1.7 / 2 | 2.4 | 20 |
| EAST3215YA1 | 3.2x1.5x1 | Brilliant Yellow | 589 | 45 | 112 | 1.75 | 2.35 | 20 |



UNIT : mm



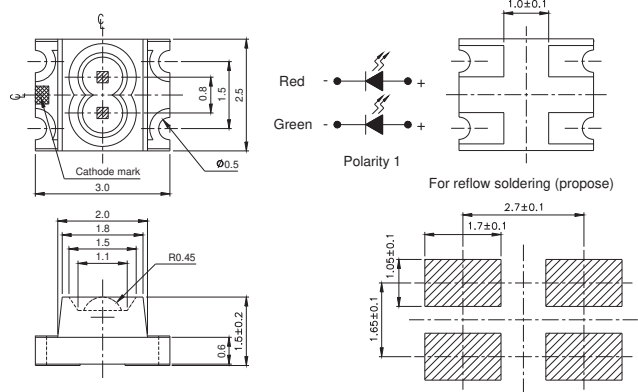
| Product | Size (LxWxHmm) | Color | λ_d (nm)/CIE(x,y) | I_v Min./Typ. (mcd) | I_v Max. (mcd) | V_F Min./Typ. (V) | V_F Max. (V) | I_F (mA) |
|-------------|----------------|------------------------|---------------------------|-----------------------|------------------|---------------------|----------------|------------|
| EAST3215GA8 | 3.2x1.5x0.5 | Brilliant Yellow Green | 573 | 28.5 | 72 | 1.75 | 2.35 | 20 |
| EAST3215RA7 | 3.2x1.5x0.5 | Brilliant Red | 624 | 22.5 | 57 | 1.7 | 2.2 | 5 |
| EAST3215RA2 | 3.2x1.5x0.5 | Brilliant Red | 624 | 45 | 90 | 1.7 | 2.3 | 20 |

SMD LED

SMD LED | Surface Mount Chip LED (PCB) | Top View Bi-Color



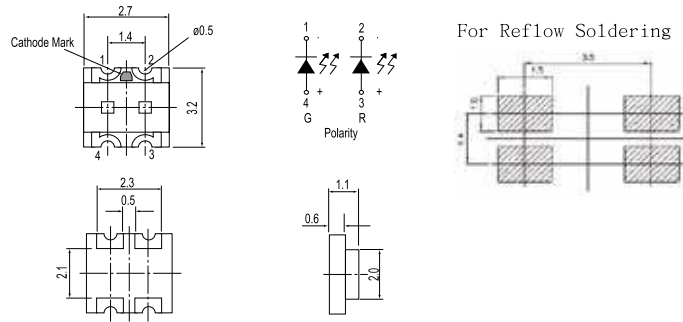
UNIT : mm



| Product | Size (LxWxHmm) | Color | λ_d (nm)/ CIE(x,y) | I_v Min./Typ. (mcd) | I_v Max. (mcd) | V_F Min./Typ. (V) | V_F Max. (V) | I_F (mA) |
|--------------|----------------|--|----------------------------|-----------------------|------------------|----------------------|-----------------------|------------|
| EAST3025RGA0 | 3x2.5x1.5 | ● Brilliant Red
● Brilliant Yellow Green | 624
573 | 140
45 | 225
72 | 1.7 / 2 | 2.4 | 20 |
| EAST3025RGA2 | 3x2.5x1.5 | ● Brilliant Red
● Brilliant Yellow Green | 624
565 | 450
715 | 1120
1800 | 1.7 / 2
2.7 / 3.3 | R6S : 2.4
SG : 3.7 | 20 |
| EAST3025RBA0 | 3x2.5x1.5 | ● Brilliant Red
● Blue | 624
470 | 90 / 140
72 / 110 | -- | 1.7
2.7 | 2.4
3.7 | 20 |
| EAST3025RGA3 | 3x2.5x1.5 | ● Deep Red
● Brilliant Yellow Green | 639
573 | 180
72 | 450
180 | 1.7
1.7 | 2.4
2.4 | 20 |
| EAST3025RGA4 | 3x2.5x1.5 | ● Brilliant Red
● Brilliant Yellow Green | 624
573 | 21 / 51
14 / 21 | -- | 1.7
1.7 | 2.4
2.4 | 20 |
| EAST3025YGA4 | 3x2.5x1.5 | ● Brilliant Yellow
● Brilliant Yellow Green | 589
573 | 21 / 51
14 / 21 | -- | 1.7
1.7 | 2.4
2.4 | 20 |



UNIT : mm

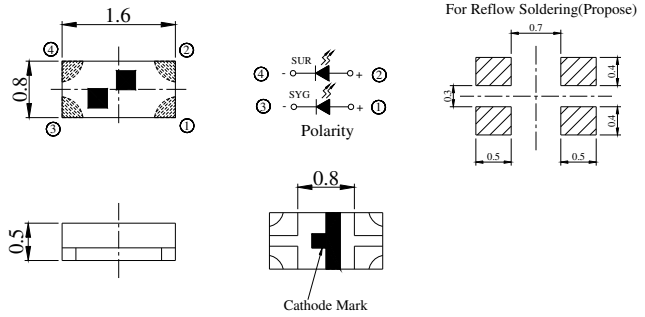


| Product | Size (LxWxHmm) | Color | λ_d (nm)/ CIE(x,y) | I_v Min./Typ. (mcd) | I_v Max. (mcd) | V_F Min./Typ. (V) | V_F Max. (V) | I_F (mA) |
|--------------|----------------|---|----------------------------|-----------------------|------------------|----------------------|----------------|------------|
| EAST3527RGA0 | 3.2x2.7x1.1 | ● Brilliant Red
● Brilliant Yellow Green | 624
573 | 28.5
28.5 | 72
72 | 1.7 / 2
1.7 / 2 | 2.4
2.4 | 20 |
| EAST3527RGA1 | 3.2x2.7x1.1 | ● Brilliant Red
● Brilliant Yellow Green | 624
525 | 90 / 130
112 / 165 | -- | 1.7 / 2
2.7 / 3.3 | 2.4
3.7 | 20 |
| EAST3527RGA2 | 3.2x2.7x1.1 | ● Brilliant Red
● Brilliant Yellow Green | 624
573 | 34 / 54
24 / 34 | -- | N / 2
N / 2 | 2.4
2.4 | 20 |

SMD LED | Surface Mount Chip LED (PCB) | Top View Bi-Color



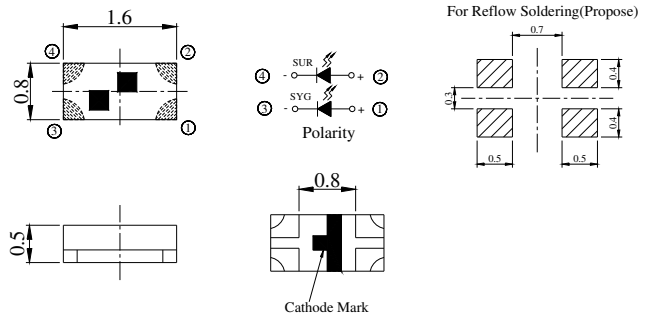
UNIT : mm



| Product | Size (LxWxHmm) | Color | λ_d (nm)/CIE(x,y) | I_v Min./Typ. (mcd) | I_v Max. (mcd) | V_F Min./Typ. (V) | V_F Max. (V) | I_F (mA) |
|--------------|----------------|--|---------------------------|------------------------|------------------|------------------------|----------------|------------|
| EAST1608BRA0 | 1.6x0.8x0.5 | ● Blue
● Brilliant Red | 470
624 | 18 / 28.5
18 / 28.5 | -- | 2.7 / 3.3
1.7 / 2.0 | 3.7
2.4 | 5 |
| EAST1608RGA2 | 1.6x0.8x0.5 | ● Brilliant Red
● Brilliant Yellow Green | 624
573 | 45
28.5 | 112
72 | 1.7 / 2
1.7 / 2 | 2.4
2.4 | 20 |
| EAST1608AGA0 | 1.6x0.8x0.5 | ● Brilliant Orange
● Brilliant Yellow Green | 605
573 | 32 / 48
16 / 24 | -- | 1.7 / 2
1.7 / 2 | 2.4
2.4 | 20 |
| EAST1608RGA3 | 1.6x0.8x0.5 | ● Brilliant Red
● Brilliant Yellow Green | 624
573 | 51 / 76
29 / 34 | -- | 1.7
1.7 | 2.4
2.4 | 20 |



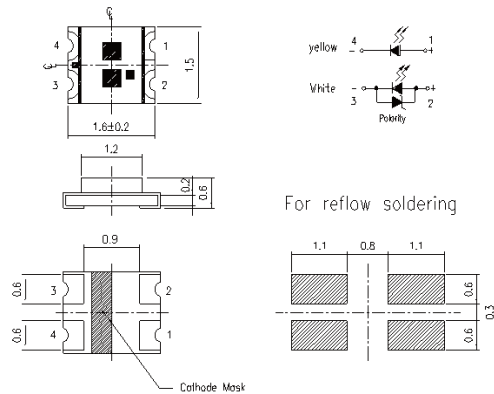
UNIT : mm



| Product | Size (LxWxHmm) | Color | λ_d (nm)/CIE(x,y) | I_v Min./Typ. (mcd) | I_v Max. (mcd) | V_F Min./Typ. (V) | V_F Max. (V) | I_F (mA) |
|--------------|----------------|--------------------------------------|---------------------------|-----------------------|---------------------|--------------------------------|----------------------|------------|
| EAST1608RGA0 | 1.6x0.8x0.5 | ● Brilliant Red
● Brilliant Green | R6 : 624
GH : 525 | R6 : 28.5
GH : 72 | R6 : 72
GH : 180 | R6 : 1.7 / 2
GH : 2.7 / 3.3 | R6 : 2.4
GH : 3.7 | 10 |



UNIT : mm

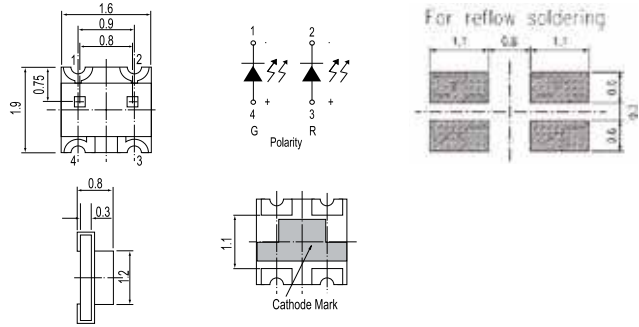


| Product | Size (LxWxHmm) | Color | λ_d (nm)/CIE(x,y) | I_v Min./Typ. (mcd) | I_v Max. (mcd) | V_F Min./Typ. (V) | V_F Max. (V) | I_F (mA) |
|--------------|----------------|------------------------------------|-------------------------------|-----------------------|----------------------|---------------------------------|-----------------------|------------|
| EAST1615YWA0 | 1.6x1.5x0.6 | ● Brilliant Yellow
○ Pure White | Y2S : 589
x=0.274, y=0.226 | Y2S : 28.5
T1 : 45 | Y2S : 72
T1 : 112 | Y2S : 1.7 / 2
T1 : 2.7 / 3.3 | Y2S : 2.4
T1 : 3.7 | 5 |

SMD LED | Surface Mount Chip LED (PCB) | Top View Bi-Color



UNIT : mm

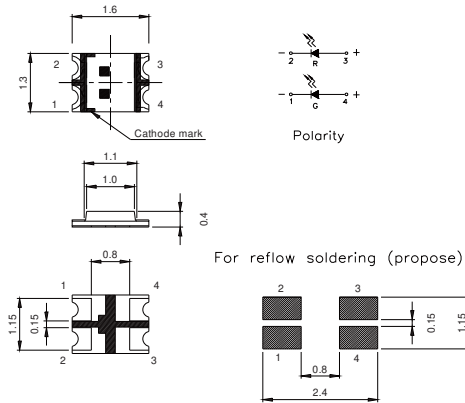


| Product | Size (LxWxHmm) | Color | λ_d (nm)/ CIE(x,y) | I_v Min./Typ. (mcd) | I_v Max. (mcd) | V_F Min./Typ. (V) | V_F Max. (V) | I_F (mA) |
|--------------|----------------|--|----------------------------|------------------------|------------------|---------------------|----------------|------------|
| EAST1916GRA0 | 1.9x1.6x0.8 | ● Brilliant Red
● Brilliant Yellow Green | 624
573 | 45
22.5 | 90
57 | 1.7 / 2
1.7 / 2 | 2.4
2.4 | 20 |
| EAST1916RBA0 | 1.9x1.6x0.8 | ● Brilliant Red
● Blue | 624
470 | 14.5 / 20
14.5 / 20 | -- | 1.9
2.9 | 2.3
3.3 | 5 |
| EAST1916RGA0 | 1.9x1.6x0.8 | ● Brilliant Red
● Brilliant Yellow Green | 624
573 | 45
45 | 72
72 | 1.7 / 2
1.7 / 2 | 2.4
2.4 | 20 |
| EAST1916RGA1 | 1.9x1.6x0.8 | ● Brilliant Red
● Brilliant Green | 624
525 | 14.5 / 20
45 / 65 | -- | 1.9
2.9 | 2.3
3.4 | 5 |
| EAST1916YGA0 | 1.9x1.6x0.8 | ● Brilliant Yellow Green
● Brilliant Yellow | 573
589 | 28.5
45 | 72
112 | 1.7 / 2
1.7 / 2 | 2.4
2.4 | 20 |

SMD LED



UNIT : mm

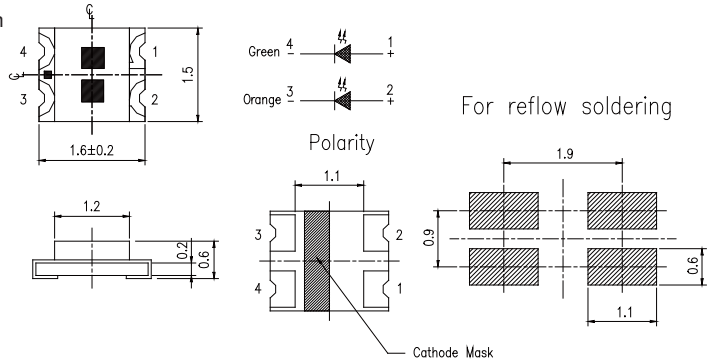


| Product | Size (LxWxHmm) | Color | λ_d (nm)/ CIE(x,y) | I_v Min./Typ. (mcd) | I_v Max./Typ. (mcd) | V_F Min./Typ. (V) | V_F Max. (V) | I_F (mA) |
|--------------|----------------|---|----------------------------|-----------------------|-----------------------|----------------------|----------------|------------|
| EAST1613RGA0 | 1.6x1.3x0.4 | ● Brilliant Red
● Brilliant Yellow Green | 624
573 | 22.5
7.2 | Max.
57
18 | 1.7 / 2
1.7 / 2 | 2.4
2.4 | 10 |
| EAST1613RGA1 | 1.6x1.3x0.4 | ● Brilliant Red
● Brilliant Green | 624
525 | 72
112 | Max.
140
225 | 1.7 / 2
2.7 / 3.3 | 2.4
3.7 | 20 |

SMD LED | Surface Mount Chip LED (PCB) | Top View Bi-Color



UNIT : mm

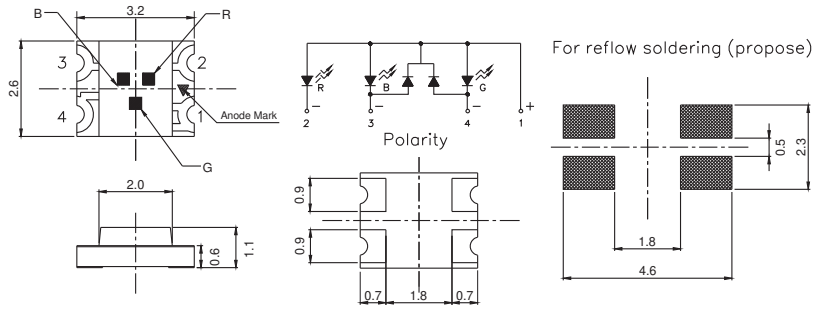


| Product | Size (LxWxHmm) | Color | λ_d (nm)/CIE(x,y) | I_v Min./Typ. (mcd) | I_v Max. (mcd) | V_F Min./Typ. (V) | V_F Max. (V) | I_F (mA) |
|--------------|----------------|--|---------------------------|-----------------------|------------------|----------------------|------------------|------------|
| EAST1615GAA0 | 1.6x1.5x0.6 | ● Brilliant Orange
● Brilliant Yellow Green | 605
573 | 112
28.5 | 140
45 | 2
2 | 2.4
2.4 | 20 |
| EAST1615RBA1 | 1.6x1.5x0.6 | ● Brilliant Red
● Blue | 624
470 | 72
36 | 180
72 | 1.7 / 2
2.7 / 3.3 | 2.4
3.7 | 20 |
| EAST1615RGA0 | 1.6x1.5x0.6 | ● Brilliant Red
● Brilliant Yellow Green | 624
573 | 72
22.5 | 180
57 | 1.7 / 2
1.7 / 2 | 2.4
2.4 | 20 |
| EAST1615RBA0 | 1.6x1.5x0.6 | ● Dark Red
● Blue | 631
470 | 45
36 | 112
90 | 1.7 / 2
2.7 / 3.3 | 2.4
2.7 / 3.7 | 20 |
| EAST1615RGA1 | 1.6x1.5x0.6 | ● Dark Red
● Brilliant Yellow Green | 631
573 | 18
18 | 72
72 | 2
2 | 2.4
2.4 | 20 |
| EAST1615ABA0 | 1.6x1.5x0.6 | ● Brilliant Orange
● Blue | 605
470 | 72
36 | 140
72 | 1.7 / 2
3 | 2.4
3.5 | 20 |
| EAST1615AWA0 | 1.6x1.5x0.6 | ● Brilliant Orange
○ Pure White | 605
x=0.274, y=0.226 | 18
45 | 45
112 | 1.55
2.7 | 2.15
3.3 | 5 |
| EAST1615YGA0 | 1.6x1.5x0.6 | ● Brilliant Yellow Green
● Brilliant Yellow | 573
589 | 28.5
36 | 57
72 | 1.7 / 2
1.7 / 2 | 2.4
2.4 | 20 |

SMD LED | Surface Mount Chip LED (PCB) | Top View Full Color



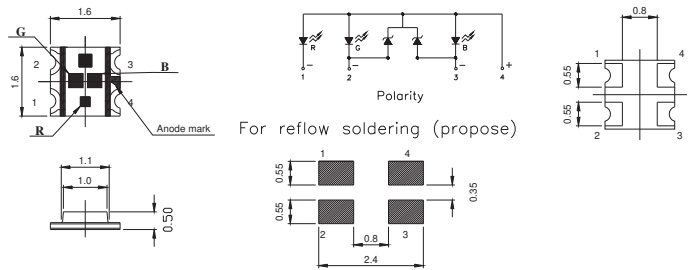
UNIT : mm



| Product | Size (LxWxHmm) | Color | λ_d (nm)/CIE(x,y) | I_v Min./Typ. (mcd) | I_v Max. (mcd) | V_F Min./Typ. (V) | V_F Max. (V) | I_F (mA) |
|---------------|----------------|--|---------------------------|----------------------------------|------------------|-----------------------------------|-------------------|------------|
| EAST3226RGBAO | 3.2x2.6x1.1 | <ul style="list-style-type: none"> ● Blue ● Brilliant Red ● Brilliant Green | 470
624
525 | 45 / 70
90 / 140
112 / 180 | -- | 2.7 / 3.3
1.7 / 2
2.7 / 3.3 | 3.7
2.4
3.7 | 20 |



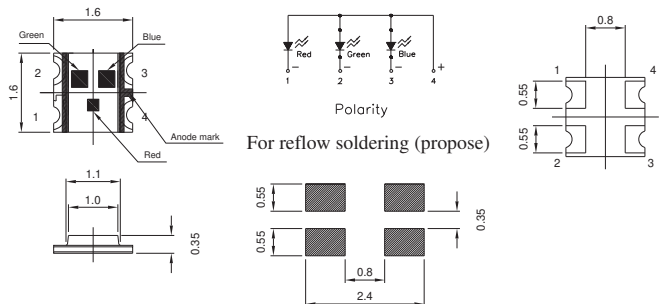
UNIT : mm



| Product | Size (LxWxHmm) | Color | λ_d (nm)/CIE(x,y) | I_v Min./Typ. (mcd) | I_v Max. (mcd) | V_F Min./Typ. (V) | V_F Max. (V) | I_F (mA) |
|---------------|----------------|--|---------------------------|------------------------------------|------------------|-----------------------------------|-------------------|------------|
| EAST1616RGBAO | 1.6x1.6x0.5 | <ul style="list-style-type: none"> ● Blue ● Brilliant Red ● Brilliant Green | 470
624
525 | 28.5 / 50
72 / 100
112 / 180 | -- | 2.7 / 3.3
1.7 / 2
2.7 / 3.3 | 3.7
2.4
3.7 | 20 |



UNIT : mm

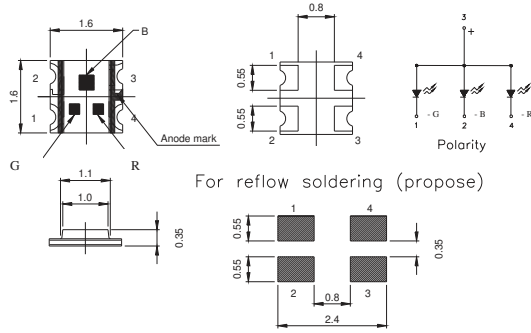


| Product | Size (LxWxHmm) | Color | λ_d (nm)/CIE(x,y) | I_v Min./Typ. (mcd) | I_v Max. (mcd) | V_F Min./Typ. (V) | V_F Max. (V) | I_F (mA) |
|----------------|----------------|--|---------------------------|-----------------------------------|------------------|---------------------|----------------|------------|
| EAST1616RGBBA3 | 1.6x1.6x0.35 | <ul style="list-style-type: none"> ● Blue ● Brilliant Red ● Brilliant Green | 470
624
525 | 11.5 / 18
18 / 30
28.5 / 60 | -- | 2.6
1.9
2.6 | 3
2.2
3 | 5 |

SMD LED | Surface Mount Chip LED (PCB) | Top View Full Color



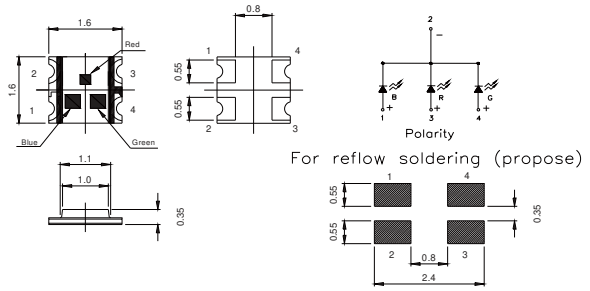
UNIT : mm



| Product | Size (LxWxHmm) | Color | λ_d (nm)/ CIE(x,y) | I_v Min./Typ. (mcd) | I_v Max. (mcd) | V_F Min./Typ. (V) | V_F Max. (V) | I_F (mA) |
|---------------|----------------|--|----------------------------|------------------------------------|------------------|---------------------|-------------------|------------|
| EAST1616RGBA2 | 1.6x1.6x0.35 | <ul style="list-style-type: none"> ● Blue ● Brilliant Red ● Brilliant Green | 470
624
525 | 28.5 / 50
72 / 100
112 / 180 | - | 3.3
2
3.3 | 3.9
2.4
3.9 | 20 |



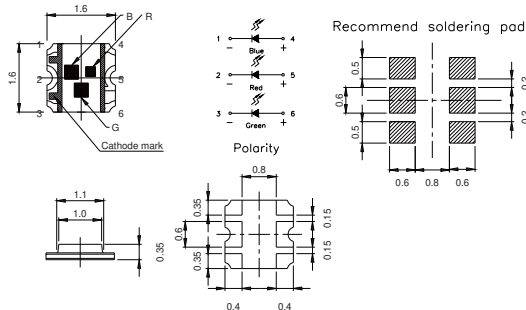
UNIT : mm



| Product | Size (LxWxHmm) | Color | λ_d (nm)/ CIE(x,y) | I_v Min./Typ. (mcd) | I_v Max. (mcd) | V_F Min./Typ. (V) | V_F Max. (V) | I_F (mA) |
|---------------|----------------|--|----------------------------|-----------------------------------|-------------------|-------------------------------|-------------------|------------|
| EAST1616RGBA1 | 1.6x1.6x0.35 | <ul style="list-style-type: none"> ● Blue ● Brilliant Red ● Brilliant Green | 470
624
525 | 11.5 / 18
18 / 30
28.5 / 60 | 28.5
57
112 | 2.6 / 3
1.7 / 2
2.6 / 3 | 3.3
2.2
3.3 | 5 |



UNIT : mm



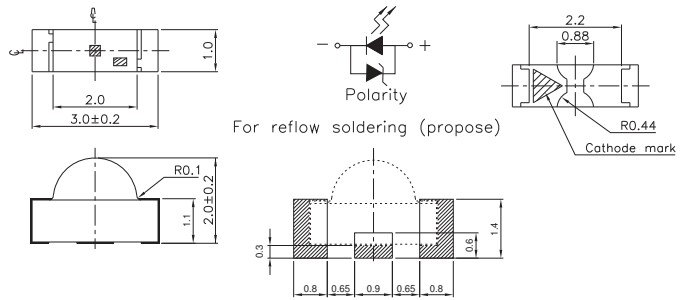
| Product | Size (LxWxHmm) | Color | λ_d (nm)/ CIE(x,y) | I_v Min./Typ. (mcd) | I_v Max. (mcd) | V_F Min./Typ. (V) | V_F Max. (V) | I_F (mA) |
|---------------|----------------|--|----------------------------|------------------------------------|------------------|---------------------|-------------------|------------|
| EAST1616RGBA4 | 1.6x1.6x0.35 | <ul style="list-style-type: none"> ● Blue ● Brilliant Red ● Brilliant Green | 470
624
525 | 28.5 / 50
72 / 100
112 / 180 | -- | 3.3
2.0
3.3 | 3.9
2.4
3.9 | 20 |

SMD LED

SMD LED | Surface Mount Chip LED (PCB) | Side View (0.2T~1.0T)



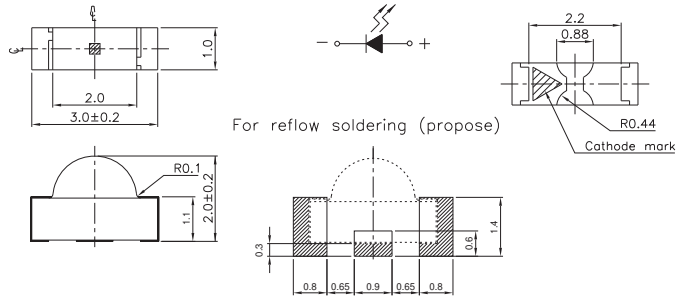
UNIT : mm



| Product | Size (LxWxHmm) | Color | λ_d (nm)/CIE(x,y) | I_v Min./Typ. (mcd) | I_v Max. (mcd) | V_F Min./Typ. (V) | V_F Max. (V) | I_F (mA) |
|-------------|----------------|--------|---------------------------|-----------------------|------------------|---------------------|----------------|------------|
| EASV3020BA0 | 3x2x1 | ● Blue | 470 | 11.5 | 28.5 | 2.7 | 3.2 | 5 |



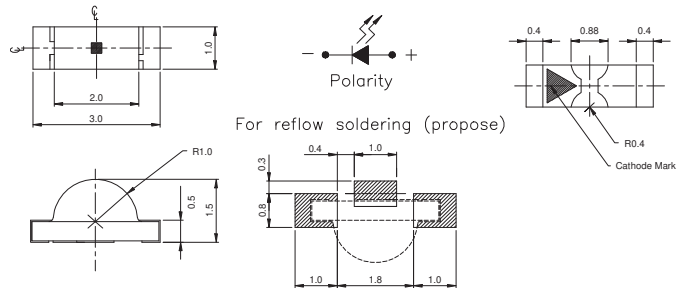
UNIT : mm



| Product | Size (LxWxHmm) | Color | λ_d (nm)/CIE(x,y) | I_v Min./Typ. (mcd) | I_v Max. (mcd) | V_F Min./Typ. (V) | V_F Max. (V) | I_F (mA) |
|-------------|----------------|-------------------|---------------------------|-----------------------|------------------|---------------------|----------------|------------|
| EASV3020BA1 | 3x2x1 | ● Blue | 470 | 28.5 | 72 | 2.7 / 3.3 | 3.7 | 20 |
| EASV3020BA3 | 3x2x1 | ● Blue | 470 | 11.5 | 28.5 | 2.5 | 3.1 | 5 |
| EASV3020GA0 | 3x2x1 | ● Brilliant Green | 525 | 140 | 285 | 3.5 | 4.3 | 20 |
| EASV3020RA0 | 3x2x1 | ● Deep Red | 639 | 28.5 | 72 | 1.75 | 2.35 | 20 |



UNIT : mm

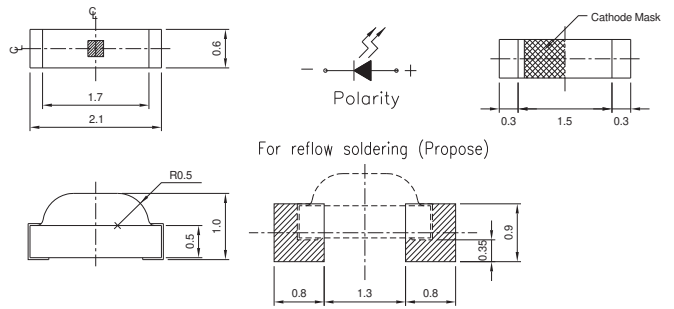


| Product | Size (LxWxH mm) | Color | λ_d (nm)/CIE(x,y) | I_v Min./Typ. (mcd) | I_v Max. (mcd) | V_F Min./Typ. (V) | V_F Max. (V) | I_F (mA) |
|-------------|-----------------|--------------|---------------------------|-----------------------|------------------|---------------------|----------------|------------|
| EASV3015BA0 | 3x1.5x1 | ● Blue | 470 | 28.5 | 72 | 2.7 / 3.3 | 3.7 | 20 |
| EASV3015WA0 | 3x1.5x1 | ○ Pure White | x=0.274, y=0.226 | 45 | 112 | 2.7 | 3.4 | 5 |
| EASV3015WA1 | 3x1.5x1 | ○ Pure White | x=0.274, y=0.226 | 112 | 285 | 3.3 | 3.7 | 20 |

SMD LED | Surface Mount Chip LED (PCB) | Side View (0.2T~1.0T)



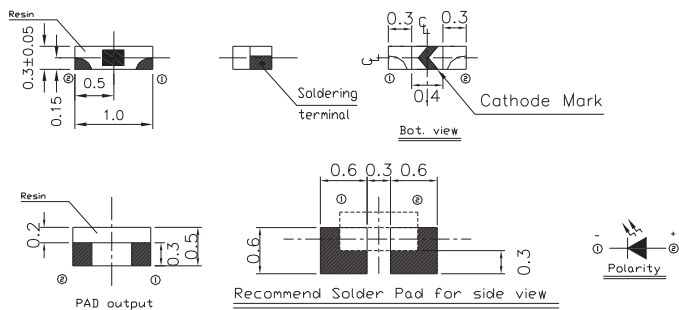
UNIT : mm



| Product | Size (LxWxHmm) | Color | λ_d (nm)/CIE(x,y) | I_v Min./Typ. (mcd) | I_v Max. (mcd) | V_F Min./Typ. (V) | V_F Max. (V) | I_F (mA) |
|-------------|----------------|--------------------------|---------------------------|-----------------------|------------------|---------------------|----------------|------------|
| EASV2110BA0 | 2.1x1x0.6 | ● Blue | 470 | 28.5 | 72 | 3.5 | 4 | 20 |
| EASV2110GA0 | 2.1x1x0.6 | ● Brilliant Yellow Green | 573 | 14.5 | 28.5 | 1.75 | 2.35 | 20 |
| EASV2110GA1 | 2.1x1x0.6 | ● Brilliant Yellow Green | 573 | 45 | 112 | 1.7 | 2.3 | 20 |
| EASV2110RA0 | 2.1x1x0.6 | ● Brilliant Red | 624 | 112 | 225 | 1.75 | 2.35 | 20 |
| EASV2110RA1 | 2.1x1x0.6 | ● Deep Red | 639 | 28.5 | 72 | 1.75 | 2.35 | 20 |
| EASV2110YA0 | 2.1x1x0.6 | ● Brilliant Yellow | 589 | 112 | 225 | 1.7 | 2.3 | 20 |
| EASV2110YA1 | 2.1x1x0.6 | ● Brilliant Yellow | 589 | 45 | 112 | 1.75 | 2.35 | 20 |
| EASV2110YA2 | 2.1x1x0.6 | ● Brilliant Yellow | 589 | 72 | 140 | 1.75 | 2.35 | 20 |



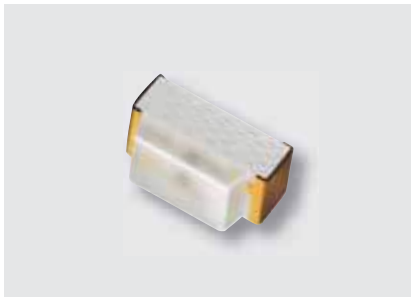
UNIT : mm



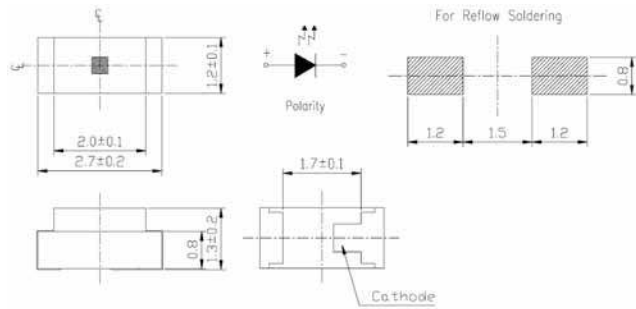
| Product | Size (LxWxHmm) | Color | λ_d (nm)/CIE(x,y) | I_v Min./Typ. (mcd) | I_v Max. (mcd) | V_F Min./Typ. (V) | V_F Max. (V) | I_F (mA) |
|------------|----------------|--------------------|---------------------------|-----------------------|------------------|---------------------|----------------|------------|
| EASV1003W0 | 1x0.5x0.3 | ○ Pure White | x=0.274, y=0.226 | 45 | 112 | 2.7 | 3.2 | 5 |
| EASV1003Y0 | 1x0.5x0.3 | ● Brilliant Yellow | 589 | 72 | 180 | 1.75 | 2.35 | 20 |

SMD LED

SMD LED | Surface Mount Chip LED (PCB) | Side View (0.2T~1.0T)



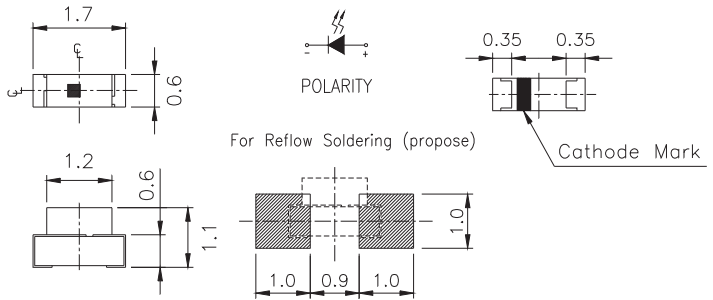
UNIT : mm



| Product | Size (LxWxH mm) | Color | λ_d (nm)/CIE(x,y) | I_v Min./Typ. (mcd) | I_v Max. (mcd) | V_F Min./Typ. (V) | V_F Max. (V) | I_F (mA) |
|-------------|-----------------|-------------------|---------------------------|-----------------------|------------------|---------------------|----------------|------------|
| EASV2713BA0 | 2.7x1.3x1.2 | ● Blue | 470 | 28.5 | 72 | 3.8 | 4.5 | 20 |
| EASV2713GA0 | 2.7x1.3x1.2 | ● Brilliant Green | 525 | 112 | 285 | 2.7 / 3.3 | 3.7 | 20 |



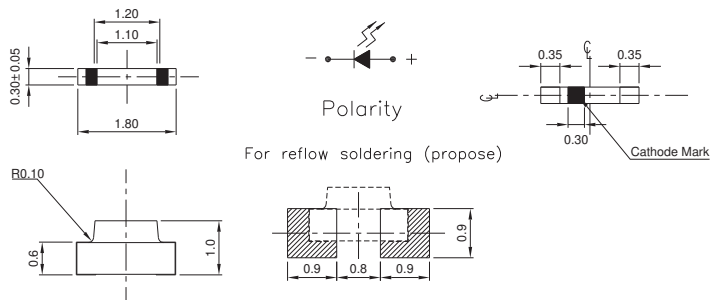
UNIT : mm



| Product | Size (LxWxH mm) | Color | λ_d (nm)/CIE(x,y) | I_v Min./Typ. (mcd) | I_v Max. (mcd) | V_F Min./Typ. (V) | V_F Max. (V) | I_F (mA) |
|-------------|-----------------|-------------------|---------------------------|-----------------------|------------------|---------------------|----------------|------------|
| EASV1706BA0 | 1.7x1.1x0.6 | ● Blue | 470 | 45 | 112 | 2.7 / 3.3 | 3.7 | 20 |
| EASV1706GA0 | 1.7x1.1x0.6 | ● Brilliant Green | 525 | 140 | 360 | 2.7 / 3.3 | 3.7 | 20 |
| EASV1706RA0 | 1.7x1.1x0.6 | ● Brilliant Red | 624 | 45 | 112 | 1.75 | 2.35 | 20 |
| EASV1706WA0 | 1.7x1.1x0.6 | ○ Pure White | x=0.274, y=0.226 | 28.5 | 72 | 2.7 | 3.15 | 5 |
| EASV1706WA1 | 1.7x1.1x0.6 | ○ Pure White | x=0.274, y=0.226 | 57 | 112 | 2.7 | 3.15 | 5 |



UNIT : mm

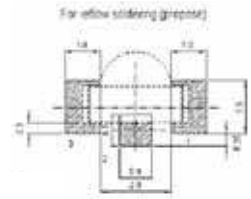
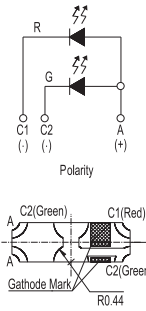
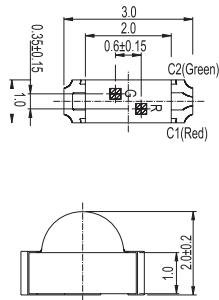


| Product | Size (LxWxH mm) | Color | λ_d (nm)/CIE(x,y) | I_v Min./Typ. (mcd) | I_v Max. (mcd) | V_F Min./Typ. (V) | V_F Max. (V) | I_F (mA) |
|-------------|-----------------|-----------------|---------------------------|-----------------------|------------------|---------------------|----------------|------------|
| EASV1803BA0 | 1.8x1x0.3 | ● Blue | 470 | 22.5 | 57 | 2.7 | 3.2 | 5 |
| EASV1803RA0 | 1.8x1x0.3 | ● Brilliant Red | 624 | 18 | 45 | 1.7 | 2.2 | 5 |
| EASV1803WA0 | 1.8x1x0.3 | ○ Pure White | x=0.274, y=0.226 | 90 | 180 | 2.7 | 3.2 | 5 |

SMD LED | Surface Mount Chip LED (PCB) | Side View Bi-Color



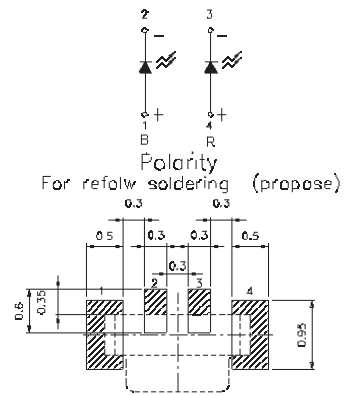
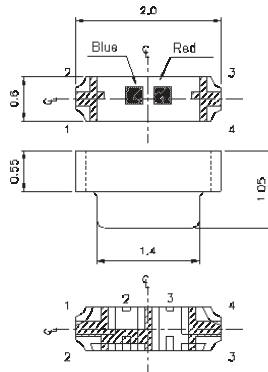
UNIT : mm



| Product | Size (LxWxHmm) | Color | λ_d (nm)/ CIE(x,y) | I_v Min./Typ. (mcd) | I_v Max. (mcd) | V_F Min./Typ. (V) | V_F Max. (V) | I_F (mA) |
|--------------|----------------|--|----------------------------|--------------------------------|----------------------|--------------------------------|----------------------|------------|
| EASV3020BRA0 | 3x2x1 | ● Blue
● Brilliant Red | BH : 470
R6 : 624 | BH : 18 / 28
R6 : 22.5 / 30 | -- | BH : 2.7
R6 : 1.7 | BH : 3.1
R6 : 2.2 | 5 |
| EASV3020GRA0 | 3x2x1 | ● Brilliant Yellow Green
● Deep Red | G6 : 573
R8 : 639 | G6 : 28.5
R8 : 28.5 | G6 : 72
R8 : 72 | G6 : 1.7 / 2
R8 : 1.7 / 2 | G6 : 2.4
R8 : 2.4 | 20 |
| EASV3020RGA0 | 3x2x1 | ● Brilliant Red
● Brilliant Green | R6 : 624
GH : 525 | R6 : 72
GH : 112 | R6 : 180
GH : 285 | R6 : 1.7 / 2
GH : 2.7 / 3.3 | R6 : 2.4
GH : 3.7 | 20 |
| EASV3020YGA0 | 3x2x1 | ● Brilliant Yellow
● Brilliant Yellow Green | Y2 : 589
G6 : 573 | Y2 : 45
G6 : 28.5 | Y2 : 112
G6 : 72 | Y2 : 1.7 / 2
G6 : 1.7 / 2 | Y2 : 2.4
G6 : 2.4 | 20 |



UNIT : mm



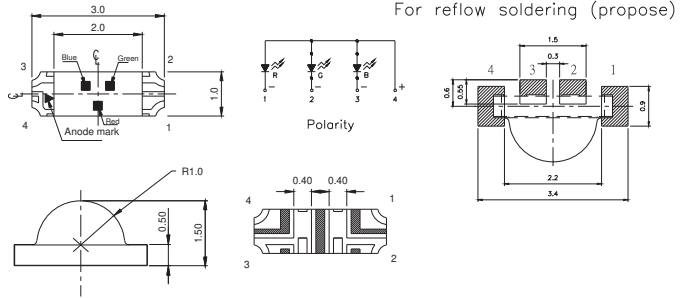
| Product | Size (LxWxHmm) | Color | λ_d (nm)/ CIE(x,y) | I_v Min./Typ. (mcd) | I_v Max. (mcd) | V_F Min./Typ. (V) | V_F Max. (V) | I_F (mA) |
|--------------|----------------|----------------------|----------------------------|------------------------|--------------------|-----------------------|-----------------------|------------|
| EASV2010BRA0 | 2x1.05x0.6 | ● Blue
● Dark Red | BH : 470
R7 : 631 | BH : 22.5
R7 : 14.5 | BH : 57
R7 : 36 | BH : 2.7
R7 : 1.55 | BH : 3.2
R7 : 2.15 | 5 |

SMD LED

SMD LED | Surface Mount Chip LED (PCB) | Side View Full Color



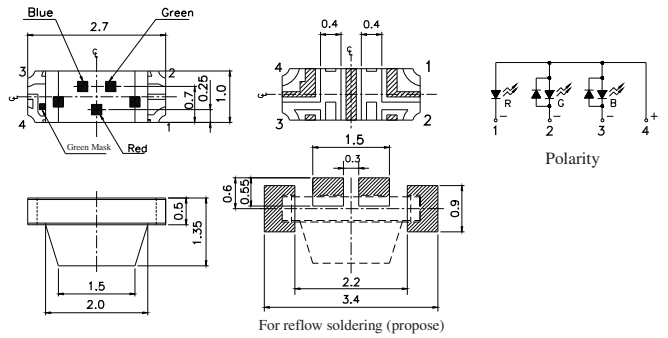
UNIT : mm



| Product | Size (LxWxHmm) | Color | λ_d (nm)/CIE(x,y) | I_v Min./Typ. (mcd) | I_v Max. (mcd) | V_F Min./Typ. (V) | V_F Max. (V) | I_F (mA) |
|---------------|----------------|---|----------------------------------|---|------------------|--|----------------------------------|------------|
| EASV3015RGBA0 | 3x1.5x1 | <ul style="list-style-type: none"> ● Blue ● Brilliant Red ● Brilliant Green | BH : 470
R6 : 624
GH : 525 | BH : 32 / 50
R6 : 63 / 90
GH : 125 / 180 | -- | BH : 2.7 / 3.3
R6 : 1.7 / 2
GH : 2.7 / 3.3 | BH : 3.7
R6 : 2.4
GH : 3.7 | 20 |
| EASV3015AGBA0 | 3x1.5x1 | <ul style="list-style-type: none"> ● Brilliant Orange ● Blue ● Brilliant Green | BH : 470
S2 : 605
GH : 525 | BH : 36 / 65
S2 : 72 / 140
GH : 140 / 210 | -- | BH : 3.3
S2 : 2
GH : 3.3 | BH : 3.9
S2 : 2.4
GH : 3.9 | 20 |



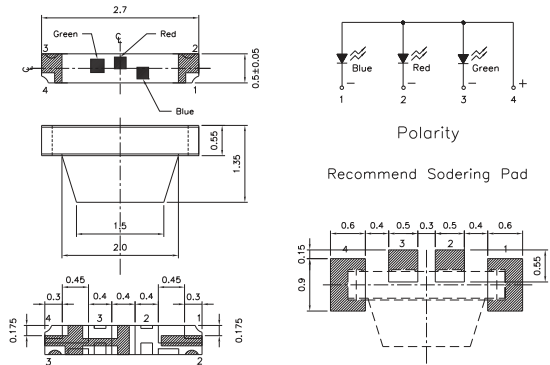
UNIT : mm



| Product | Size (LxWxHmm) | Color | λ_d (nm)/CIE(x,y) | I_v Min./Typ. (mcd) | I_v Max. (mcd) | V_F Min./Typ. (V) | V_F Max. (V) | I_F (mA) |
|---------------|----------------|--|----------------------------------|--|------------------|--|----------------------------------|------------|
| EASV2713RGBA0 | 2.7x1.35x1 | <ul style="list-style-type: none"> ● Blue ● Brilliant Red ● Brilliant Green | BH : 470
R6 : 624
GH : 525 | BH : 28.5 / 45
R6 : 45 / 72
GH : 112 / 180 | -- | BH : 2.7 / 3.3
R6 : 1.7 / 2
GH : 2.7 / 3.3 | BH : 3.7
R6 : 2.4
GH : 3.7 | 20 |



UNIT : mm



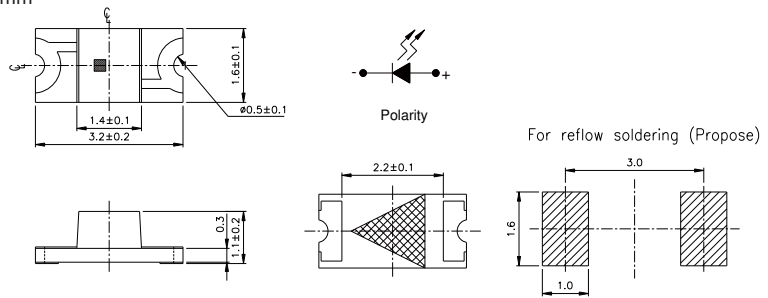
| Product | Size (LxWxHmm) | Color | λ_d (nm)/CIE(x,y) | I_v Min./Typ. (mcd) | I_v Max. (mcd) | V_F Min./Typ. (V) | V_F Max. (V) | I_F (mA) |
|---------------|----------------|--|----------------------------------|---------------------------------|----------------------------------|---|--------------------------------|------------|
| EASV2713RGBA1 | 2.7x1.35x0.5 | <ul style="list-style-type: none"> ● Blue ● Brilliant Red ● Brilliant Green | BH : 470
R6 : 624
GH : 525 | BH : 10
R6 : 14.5
GH : 35 | BH : 24.5
R6 : 36
GH : 110 | BH : 2.7 / 2.9
R6 : 1.7 / 1.85
GH : 2.7 / 2.9 | BH : 3.1
R6 : 2
GH : 3.2 | 5 |

SMD LED

SMD LED | Surface Mount Chip LED (PCB) | Reverse Mount



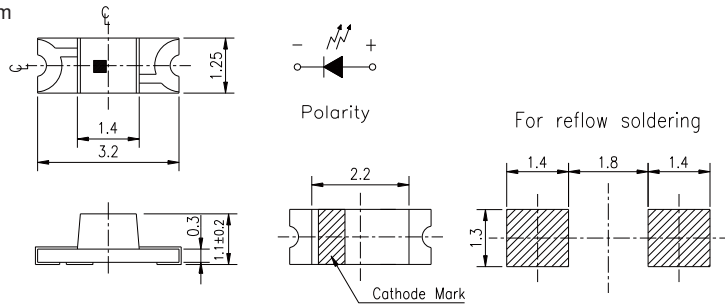
UNIT : mm



| Product | Size (LxWxHmm) | Color | λ_d (nm)/CIE(x,y) | I_v Min./Typ. (mcd) | I_v Max. (mcd) | V_F Min./Typ. (V) | V_F Max. (V) | I_F (mA) |
|-------------|----------------|--------------------------|---------------------------|-----------------------|------------------|---------------------|----------------|------------|
| EASR3216GA0 | 3.2x1.6x1.1 | ● Brilliant Yellow Green | 573 | 14.5 | 36 | 1.7 / 2 | 2.4 | 20 |
| EASR3216GA1 | 3.2x1.6x1.1 | ● Brilliant Green | 525 | 140 | 360 | 3.5 | 3.9 | 20 |
| EASR3216RA0 | 3.2x1.6x1.1 | ● Brilliant Red | 624 | 18 | 45 | 1.55 | 2.15 | 5 |
| EASR3216RA1 | 3.2x1.6x1.1 | ● Deep Red | 639 | 36 | 90 | 1.75 | 2.35 | 20 |



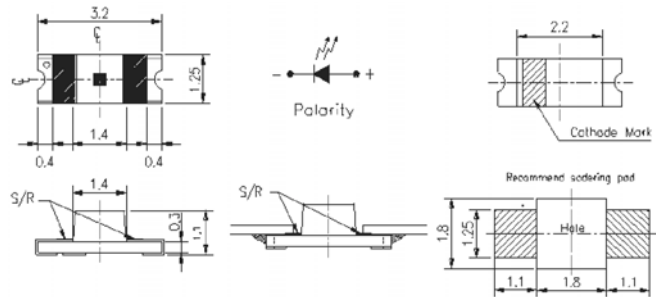
UNIT : mm



| Product | Size (LxWxHmm) | Color | λ_d (nm)/CIE(x,y) | I_v Min./Typ. (mcd) | I_v Max. (mcd) | V_F Min./Typ. (V) | V_F Max. (V) | I_F (mA) |
|-------------|----------------|--------------------------|---------------------------|-----------------------|------------------|---------------------|----------------|------------|
| EASR3212BA0 | 3.2x1.25x1.1 | ● Blue | 470 | 28.5 | 72 | 3.5 | 4 | 20 |
| EASR3212BA1 | 3.2x1.25x1.1 | ● Blue | 470 | 11.5 | 22.5 | 2.7 / 3.3 | 3.7 | 5 |
| EASR3212YA0 | 3.2x1.25x1.1 | ● Brilliant Yellow Green | 573 | 22.5 | 57 | 1.7 / 2 | 2.4 | 20 |
| EASR3212AA0 | 3.2x1.25x1.1 | ● Brilliant Orange | 605 | 28.5 | 72 | 1.7 / 2.0 | 2.4 | 20 |
| EASR3212WA0 | 3.2x1.25x1.1 | ○ Pure White | x=0.274, y=0.226 | 28.5 | 112 | 2.7 | 3.15 | 5 |
| EASR3212WA1 | 3.2x1.25x1.1 | ○ Pure White | x=0.274, y=0.226 | 57 | 112 | 2.6 | 3 | 5 |
| EASR3212WA2 | 3.2x1.25x1.1 | ○ Pure White | x=0.274, y=0.226 | 28.5 | 112 | 2.7 | 3.15 | 5 |



UNIT : mm

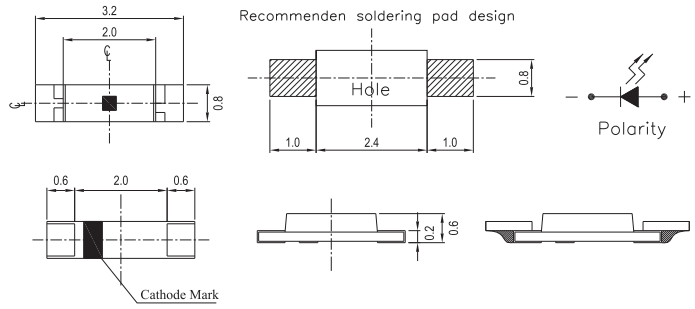


| Product | Size (LxWxHmm) | Color | λ_d (nm)/CIE(x,y) | I_v Min./Typ. (mcd) | I_v Max. (mcd) | V_F Min./Typ. (V) | V_F Max. (V) | I_F (mA) |
|-------------|----------------|---------|---------------------------|-----------------------|------------------|---------------------|----------------|------------|
| EASR3212WA3 | 3.2x1.25x1.1 | ○ White | x=0.274, y=0.226 | 57 | 112 | Min. 2.6 | 3 | 5 |

SMD LED | Surface Mount Chip LED (PCB) | Reverse Mount



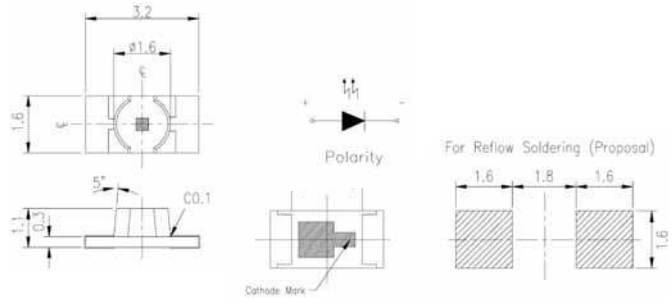
UNIT : mm



| Product | Size (LxWxHmm) | Color | λ_d (nm)/CIE(x,y) | I_v Min./Typ. (mcd) | I_v Max. (mcd) | V_F Min./Typ. (V) | V_F Max. (V) | I_F (mA) |
|-------------|----------------|--------|---------------------------|-----------------------|------------------|---------------------|----------------|------------|
| EASR3216BA2 | 3.2x0.8x0.6 | ● Blue | 470 | 36 | 72 | 2.75 | 3.65 | 20 |



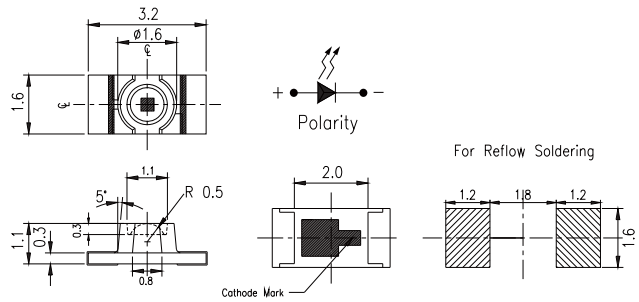
UNIT : mm



| Product | Size (LxWxHmm) | Color | λ_d (nm)/CIE(x,y) | I_v Min./Typ. (mcd) | I_v Max. (mcd) | V_F Min./Typ. (V) | V_F Max. (V) | I_F (mA) |
|--------------|----------------|-------------------|---------------------------|-----------------------|------------------|---------------------|----------------|------------|
| EASRR3216BA0 | 3.2x1.6x1.1 | ● Blue | 470 | 28.5 | 72 | 3.5 | 4 | 20 |
| EASRR3216GA0 | 3.2x1.6x1.1 | ● Brilliant Green | 525 | 140 | 360 | 3.5 | 4 | 20 |



UNIT : mm

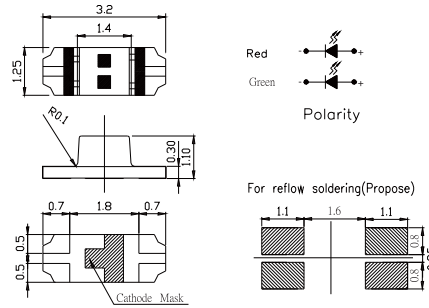


| Product | Size (LxWxHmm) | Color | λ_d (nm)/CIE(x,y) | I_v Min./Typ. (mcd) | I_v Max. (mcd) | V_F Min./Typ. (V) | V_F Max. (V) | I_F (mA) |
|--------------|----------------|--------------------------|---------------------------|-----------------------|------------------|---------------------|----------------|------------|
| EASRL3216GA0 | 3.2x1.6x1.1 | ● Brilliant Yellow Green | 573 | 57 | 112 | 1.7 / 2 | 2.4 | 20 |
| EASRL3216GA1 | 3.2x1.6x1.1 | ● Brilliant Green | 525 | 180 | 715 | 3.5 | 4.3 | 20 |
| EASRL3216WA0 | 3.2x1.6x1.1 | ○ Pure White | x=0.274, y=0.226 | 28.5 | 112 | 2.7 | 3.15 | 5 |
| EASRL3216WA1 | 3.2x1.6x1.1 | ○ Pure White | x=0.274, y=0.226 | 45 | 112 | 2.7 | 3.15 | 5 |

SMD LED | Surface Mount Chip LED (PCB) | Reverse Mount Bi-color



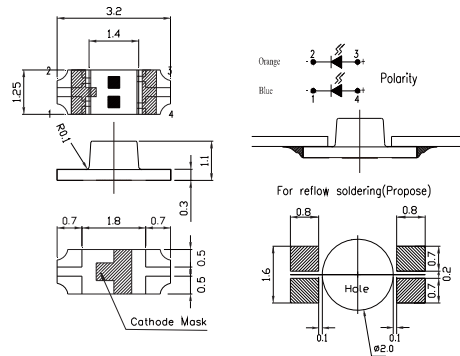
UNIT : mm



| Product | Size (LxWxHmm) | Color | λ_d (nm)/
CIE(x,y) | I_v Min./Typ.
(mcd) | I_v Max.
(mcd) | V_F Min./Typ.
(V) | V_F Max.
(V) | I_F (mA) |
|--------------|----------------|--|-------------------------------|--------------------------|------------------------|------------------------------------|-----------------------|------------|
| EASR3212RGA0 | 3.2x1.25x1.1 | <ul style="list-style-type: none"> ● Dark Red ● Brilliant Yellow Green | R7 : 631
G6 : 573 | R7 : 18
G6 : 14.5 | R7 : 72
G6 : 45 | R7 : 1.7 / 2
G6 : 1.7 / 2 | R7 : 2.4
G6 : 2.4 | 20 |
| EASR3212ABA0 | 3.2x1.25x1.1 | <ul style="list-style-type: none"> ● Brilliant Orange ● Blue | S2 : 605
BH : 470 | S2 : 11.5
BH : 11.5 | S2 : 28.5
BH : 28.5 | S2 : 1.55 / 1.85
BH : 2.5 / 3.1 | S2 : 2.25
BH : 3.5 | 5 |



UNIT : mm

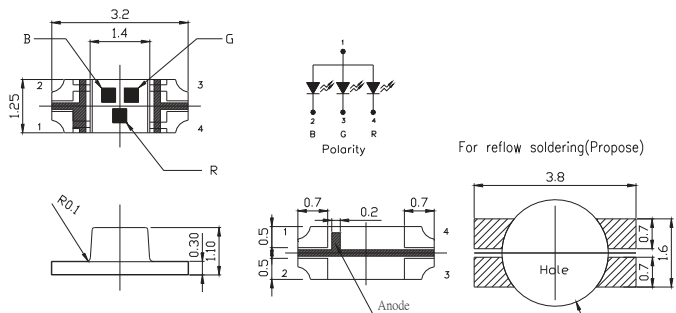


| Product | Size (LxWxHmm) | Color | λ_d (nm)/
CIE(x,y) | I_v Min./Typ.
(mcd) | I_v Max.
(mcd) | V_F Min./Typ.
(V) | V_F Max.
(V) | I_F (mA) |
|--------------|----------------|--|-------------------------------|--------------------------|---------------------|--------------------------------|----------------------|------------|
| EASR3212ABA1 | 3.2x1.25x1.1 | <ul style="list-style-type: none"> ● Brilliant Orange ● Blue | S2 : 605
BH : 470 | S2 : 22.5
BH : 22.5 | S2 : 57
BH : 57 | S2 : 1.7 / 2
BH : 2.7 / 3.3 | S2 : 2.4
BH : 3.7 | 10 |

SMD LED | Surface Mount Chip LED (PCB) | Reverse Mount Full color



UNIT : mm

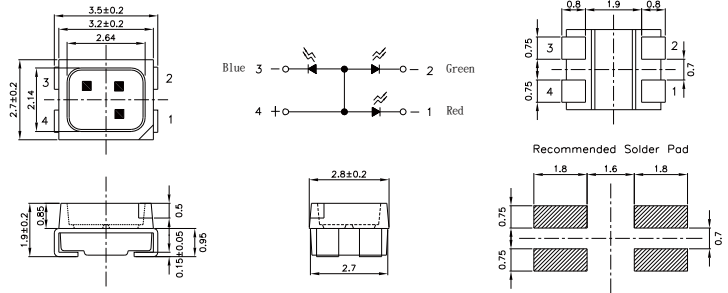


| Product | Size (LxWxHmm) | Color | λ_d (nm)/
CIE(x,y) | I_v Min./Typ.
(mcd) | I_v Max.
(mcd) | V_F Min./Typ.
(V) | V_F Max.
(V) | I_F (mA) |
|---------------|----------------|--|----------------------------------|---|---------------------|--|----------------------------------|------------|
| EASR3212RGBA0 | 3.2x1.25x1.1 | <ul style="list-style-type: none"> ● Blue ● Brilliant Red ● Brilliant Green | BH : 470
R6 : 624
GH : 525 | BH : 45 / 65
R6 : 72 / 100
GH : 140 / 200 | -- | BH : 2.7 / 3.3
R6 : 1.7 / 2
GH : 2.7 / 3.3 | BH : 3.7
R6 : 2.4
GH : 3.7 | 20 |

SMD LED | Surface Mount PLCC LEDs (Reflector) | Top View LED



UNIT : mm



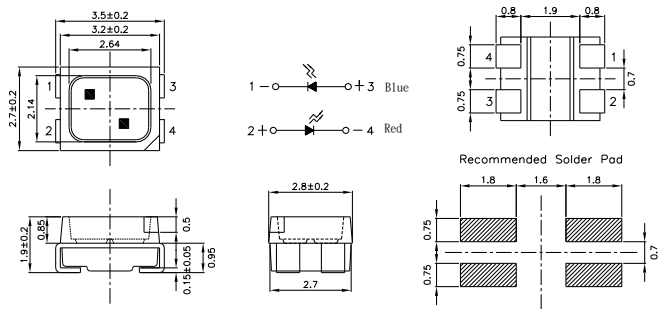
| Product | Size (LxWxHmm) | Color | λ_d (nm)/ CIE(x,y) | I_v Min./Typ. (mcd) | I_v Max. (mcd) | V_f Min./Typ. (V) | V_f Max. (V) | I_F (mA) |
|--------------|----------------|---------|--|-----------------------|------------------|---------------------|----------------|------------|
| *EAPL3528WA0 | 3.5x2.8x1.9 | ○ White | $x=0.264\sim0.33$
$y=0.248\sim0.36$ | 3600 | 7200 | 2.9 | 3.6 | 20 |

* All 3 Die are Blue Die (with Phosphor in package).

SMD LED | Surface Mount PLCC LEDs (Reflector) | Top View Bi-Color



UNIT : mm

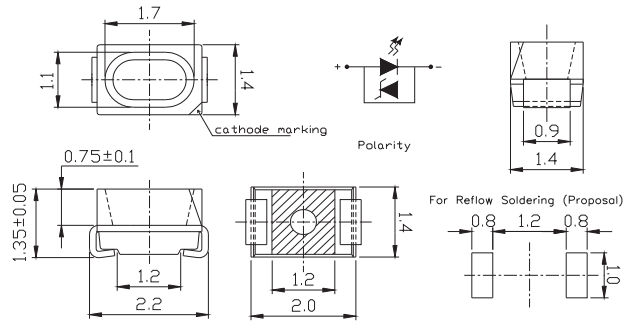


| Product | Size (LxWxHmm) | Color | λ_d (nm) | I_v Min./Typ. (mcd) | I_v Max. (mcd) | V_f Min./Typ. (V) | V_f Max. (V) | I_F (mA) |
|--------------|----------------|--|--------------------|-----------------------|------------------|---------------------|----------------|------------|
| EAPL3828GGA0 | 3.5x2.8x1.9 | ○ Pale Green
○ Pale Green | 563.5~571.5 | 4.5 / 10 | 36 | 1.7 / 2.0 | 2.4 | 10 |
| EAPL3528RYA0 | 3.5x2.8x1.9 | ● Brilliant Red
● Brilliant Yellow | 621~631
586~594 | 72 | 285 | 1.75 | 2.35 | 20 |
| EAPL3528RGA1 | 3.5x2.8x1.9 | ● Deep Red
● Brilliant Yellow Green | 524
573 | 57
36 | 140
90 | 1.75
1.75 | 3.25
3.25 | 20 |

SMD LED | Surface Mount PLCC LEDs (Reflector) | Top View PLCC2



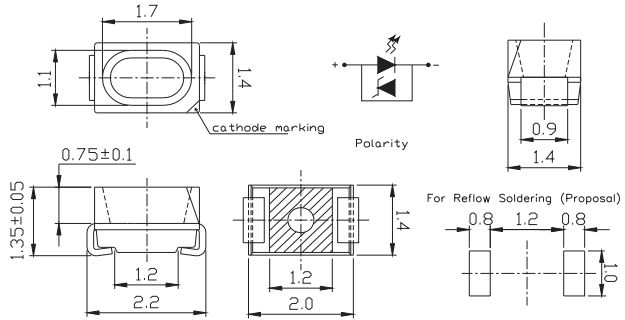
UNIT : mm



| Product | Size (LxWxHmm) | Color | λ_d (nm)/CIE(x,y) | I_v Min./Typ. (mcd) | I_v Max. (mcd) | V_F Min./Typ. (V) | V_F Max. (V) | I_F (mA) |
|-------------|----------------|--------------|--------------------------------|-----------------------|------------------|---------------------|----------------|------------|
| EAPL2214WA0 | 2.2x1.4x1.35 | ○ Pure White | x=0.283~0.33
y=0.295~0.3390 | 715 | 1800 | 2.75 | 3.65 | 20 |



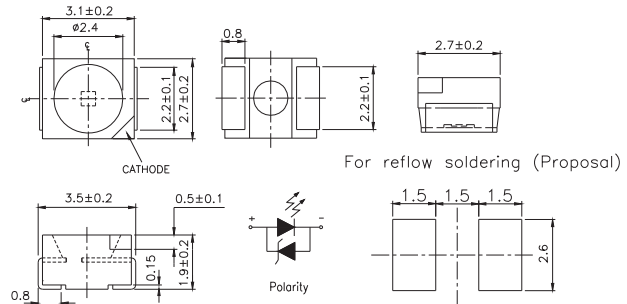
UNIT : mm



| Product | Size (LxWxHmm) | Color | λ_d (nm)/CIE(x,y) | I_v Min./Typ. (mcd) | I_v Max. (mcd) | V_F Min./Typ. (V) | V_F Max. (V) | I_F (mA) |
|-------------|----------------|--------------------------|---------------------------|-----------------------|------------------|---------------------|----------------|------------|
| EAPL2214GA0 | 2.2x1.4x1.35 | ● Brilliant Yellow Green | 569.5~577.5 | 36 | 90 | -- | 2.35 | 20 |
| EAPL2214YA1 | 2.2x1.4x1.35 | ● Brilliant Yellow | 585.5~594.5 | 112 | 285 | 1.75 | 2.35 | 20 |
| EAPL2214YA2 | 2.2x1.4x1.35 | ● Brilliant Yellow | 586~594 | 140 | 225 | 1.75 | 2.35 | 20 |
| EAPL2214BA1 | 2.2x1.4x1.35 | ● Brilliant Yellow Green | 569.5~577.5 | 180 | 360 | 2.7 | 3.5 | 20 |
| EAPL2214GA1 | 2.2x1.4x1.35 | ● Brilliant Green | 520~535 | 225 | 565 | 2.7 | 3.7 | 20 |
| EAPL2214RA0 | 2.2x1.4x1.35 | ● Brilliant Red | 616.5~634.5 | 72 | 180 | 1.75 | 2.35 | 20 |



UNIT : mm

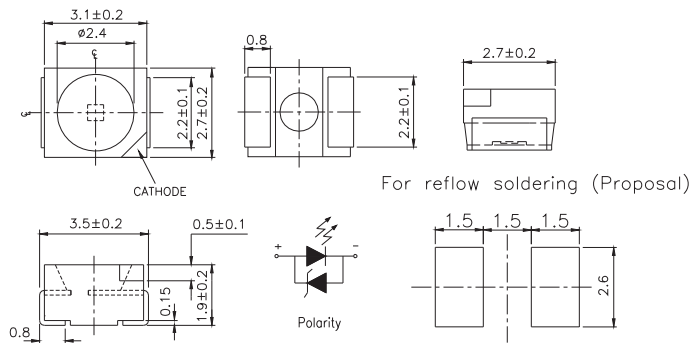


| Product | Size (LxWxHmm) | Color | λ_d (nm)/CIE(x,y) | I_v Min./Typ. (mcd) | I_v Max. (mcd) | V_F Min./Typ. (V) | V_F Max. (V) | I_F (mA) |
|-------------|----------------|-------------------|--------------------------------|-----------------------|------------------|---------------------|----------------|------------|
| EAPL3527BA4 | 3.5x2.7x1.9 | ● Blue | 464~472 | 90 | 225 | 2.7 | 3.5 | 20 |
| EAPL3527GA5 | 3.5x2.7x1.9 | ● Brilliant Green | 517.5 | 360 | 900 | 2.7 | 3.7 | 20 |
| EAPL3527WA5 | 3.5x2.7x1.9 | ● Warm White | x=0.264~0.330
y=0.248~0.360 | 180 | 450 | 2.7 | 3.7 | 20 |
| EAPL3527WA6 | 3.5x2.7x1.9 | ○ White | x=0.283~0.330
y=0.276~0.360 | 715 | 1800 | 2.7 | 3.5 | 20 |

SMD LED | Surface Mount PLCC LEDs (Reflector) | Top View PLCC2



UNIT : mm

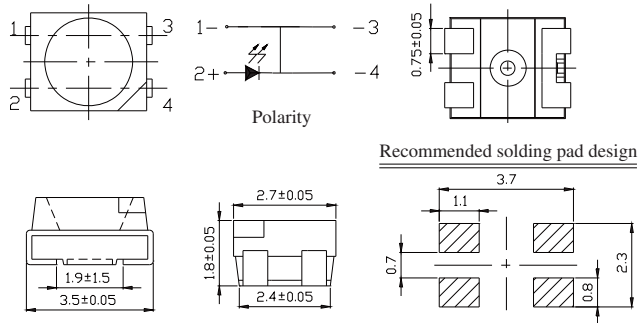


| Product | Size (LxWxHmm) | Color | λ_d (nm)/CIE(x,y) | I_V Min./Typ. (mcd) | I_V Max. (mcd) | V_F Min./Typ. (V) | V_F Max. (V) | I_F (mA) |
|-------------|----------------|--------------------|------------------------------------|-----------------------|------------------|---------------------|----------------|------------|
| EAPL3527BA1 | 3.5x2.7x1.9 | ● Blue | 464.5~476.5 | 225 | 565 | 2.7 | 3.7 | 20 |
| EAPL3527GA0 | 3.5x2.7x1.9 | ● Brilliant Green | 523.5~535.5 | 72 | 450 | 2.7 | 3.7 | 20 |
| EAPL3527GA2 | 3.5x2.7x1.9 | ● Brilliant Green | 520~535 | 900 | 1800 | 2.7 | 3.7 | 20 |
| EAPL3527GA3 | 3.5x2.7x1.9 | ● Brilliant Green | 517.5~535.5 | 225 | 565 | 2.5 | 3.5 | 10 |
| EAPL3527RA0 | 3.5x2.7x1.9 | ● Brilliant Red | 617.5~633.5 | 57 | 140 | 1.75 | 2.35 | 20 |
| EAPL3527RA1 | 3.5x2.7x1.9 | ● Brilliant Red | 621~631 | 36 | 90 | 1.75 | 2.35 | 10 |
| EAPL3527RA2 | 3.5x2.7x1.9 | ● Brilliant Red | 621~631 | 140 | 360 | 1.75 | 2.35 | 20 |
| EAPL3527RA3 | 3.5x2.7x1.9 | ● Brilliant Red | 621~631 | 180 | 565 | 1.75 | 2.35 | 20 |
| EAPL3527RA4 | 3.5x2.7x1.9 | ● Brilliant Red | 621~631 | 360 | 900 | 1.75 | 2.35 | 20 |
| EAPL3527OA1 | 3.5x2.7x1.9 | ● Reddish Orange | 605.5~621.5 | 180 | 360 | 2 | 2.4 | 20 |
| EAPL3527WA3 | 3.5x2.7x1.9 | ○ White | x=0.3070~0.3300
y=0.2940~0.3390 | 900 | 1800 | 3 | 3.6 | 20 |
| EAPL3527WA1 | 3.5x2.7x1.9 | ○ White | x=0.2498~0.2915
y=0.2185~0.2950 | 715 | 1800 | 2.75 | 3.65 | 20 |
| EAPL3527WA2 | 3.5x2.7x1.9 | ○ White | x=0.2640~0.3300
y=0.2480~0.3600 | 450 | 1120 | 2.75 | 3.95 | 20 |
| EAPL3527YA0 | 3.5x2.7x1.9 | ● Brilliant Yellow | 585.5~594.5 | 180 | 360 | 2 | 2.4 | 20 |
| | 3.5x2.7x1.9 | ● Brilliant Yellow | 588.5~594.5 | 140 | 360 | 1.75 | 2.35 | 20 |
| | 3.5x2.7x1.9 | ● Brilliant Yellow | 586~594 | 450 | 715 | 1.75 | 2.35 | 20 |
| EAPL3527YA3 | 3.5x2.7x1.9 | ● Brilliant Yellow | 586~594 | 450 | 1120 | 1.75 | 2.35 | 20 |
| EAPL3527BA2 | 3.5x2.7x1.9 | ● Blue | 470 | 110 | NA | 2.75 | 3.95 | 20 |
| EAPL3527RA5 | 3.5x2.7x1.9 | ● Brilliant Red | 625~637.5 | 57 | 140 | 1.75 | 2.35 | 20 |
| EAPL3527RA6 | 3.5x2.7x1.9 | ● Deep Red | 629.5~645.5 | 57 | 112 | 1.75 | 2.35 | 20 |

SMD LED | Surface Mount PLCC LEDs (Reflector) | Top View PLCC3



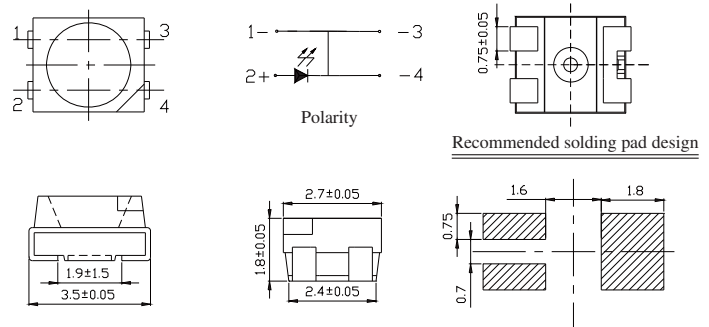
UNIT : mm



| Product | Size (LxWxHmm) | Color | λ_d (nm)/ CIE(x,y) | I_v Min./Typ. (mcd) | I_v Max. (mcd) | V_F Min./Typ. (V) | V_F Max. (V) | I_F (mA) |
|-------------|----------------|------------------|----------------------------|-----------------------|------------------|---------------------|----------------|------------|
| EAPL3527BA5 | 3.5x2.7x1.8 | ● Blue | 464.5~476.5 | 285 | 715 | 2.75 | 3.95 | 30 |
| EAPL3527GA7 | 3.5x2.7x1.8 | ● Green | 520~535 | 715 | 1800 | 2.75 | 3.65 | 30 |
| EAPL3527OA0 | 3.5x2.7x1.8 | ● Reddish Orange | 605.5~625.5 | 1120 | 2850 | 1.95 | 2.75 | 50 |
| EAPL3527WA0 | 3.5x2.7x1.8 | ○ White | x=.296~.364
y=.259~.380 | 1120 | 2250 | 2.75 | 3.95 | 30 |



UNIT : mm

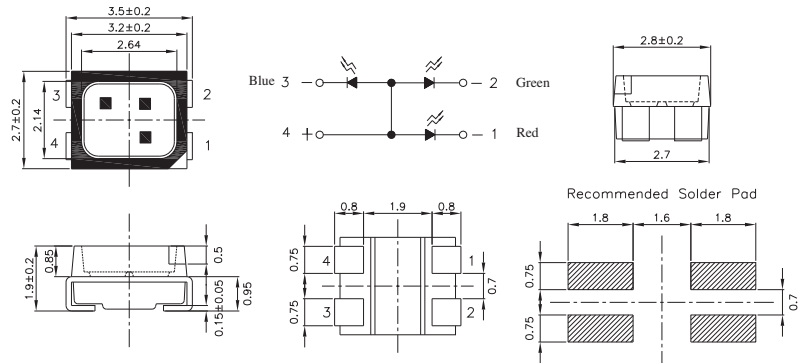


| Product | Size (LxWxHmm) | Color | λ_d (nm)/ CIE(x,y) | I_v Min./Typ. (mcd) | I_v Max. (mcd) | V_F Min./Typ. (V) | V_F Max. (V) | I_F (mA) |
|-------------|----------------|-----------------|----------------------------|-----------------------|------------------|---------------------|----------------|------------|
| EAPL3527RA8 | 3.5x2.7x1.8 | ● Brilliant Red | 617.5~633.5 | 715 | 1800 | 1.95 | 2.75 | 50 |
| EAPL3527WA7 | 3.5x2.7x1.8 | ○ White | x=.296~.33
y=.259~.33 | 1120 | 2250 | 2.75 | 3.95 | 30 |

SMD LED | Surface Mount PLCC LEDs (Reflector) | Top View PLCC4



UNIT : mm

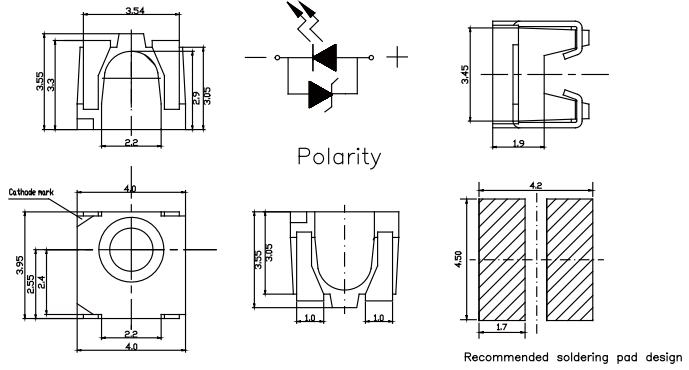


| Product | Size (LxWxHmm) | Color | λ_d (nm)/CIE(x,y) | I_v Min./Typ. (mcd) | I_v Max. (mcd) | V_F Min./Typ. (V) | V_F Max. (V) | I_F (mA) |
|---------------|----------------|--|-----------------------------------|-----------------------|-------------------|---------------------|--------------------|------------|
| EAPL3527BGRA0 | 3.5x2.7x1.9 | <ul style="list-style-type: none"> ● Brilliant Red ● Brilliant Green ● Blue | 619~628
525~532.5
465~472.5 | 180
450
180 | 360
900
360 | 1.75
2.9
2.9 | 2.35
3.5
3.5 | 20 |

SMD LED | Surface Mount PLCC LEDs (Reflector) | Side View LED



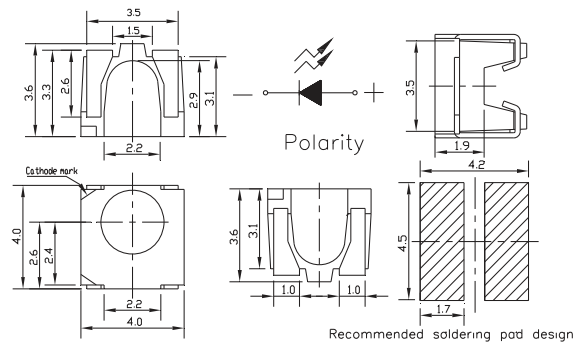
UNIT : mm



| Product | Size (LxWxHmm) | Color | λ_d (nm)/CIE(x,y) | I_v Min./Typ. (mcd) | I_v Max. (mcd) | V_F Min./Typ. (V) | V_F Max. (V) |
|-------------|----------------|---------|------------------------------------|-----------------------|------------------|---------------------|----------------|
| EAPL4040WA1 | 4x4x3.6 | ○ White | x=0.3070~0.3520
y=0.2840~0.3710 | 900 | 1800 | 2.75 | 3.95 |



UNIT : mm



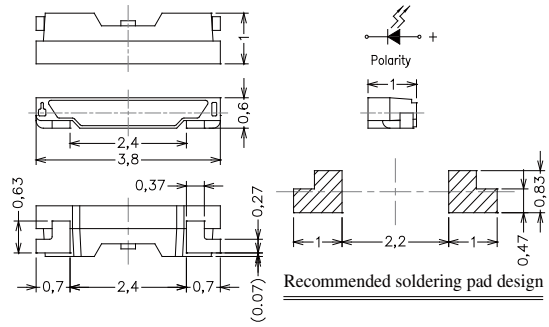
| Product | Size (LxWxHmm) | Color | λ_d (nm)/CIE(x,y) | I_v Min./Typ. (mcd) | I_v Max. (mcd) | V_F Min./Typ. (V) | V_F Max. (V) | I_F (mA) |
|-------------|----------------|-----------------|---------------------------|-----------------------|------------------|---------------------|----------------|------------|
| EAPL4040RA0 | 4x4x3.6 | ● Brilliant Red | 617.5~633.5 | 45 | 112 | 1.75 | 2.35 | 20 |

SMD LED

SMD LED | Surface Mount PLCC LEDs (Reflector) | Side View LED



UNIT : mm

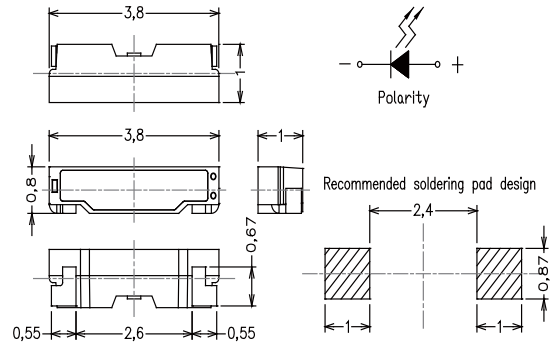


| Product | Size (LxWxHmm) | Color | I _v (lm) | CIE | V _F (V) | Viewing Angle (°) |
|------------|----------------|--------|---------------------|----------------------------------|--------------------|-------------------|
| EAPL3810A0 | 3.8x1x0.6 | ○White | 6.75~7.5 | x=0.285~0.304
y=0.267~0.290 | 2.95~3.45 | 115 |
| EAPL3810A1 | 3.8x1x0.6 | ○White | 7.75~8.5 | -- | 2.75~3.45 | 120 |
| EAPL3810A2 | 3.8x1x0.6 | ○White | 7.25~8.0 | x=0.285~0.304
y=0.267~0.290 | 2.95~3.45 | 115 |
| EAPL3810A3 | 3.8x1x0.6 | ○White | 7.5~8.25 | x=0.285~0.304
y=0.267~0.290 | 2.95~3.45 | 120 |
| EAPL3810A4 | 3.8x1x0.6 | ○White | 7.5~8.25 | x=0.276~0.296
y=0.253~0.276 | 2.9~3.3 | 120 |
| EAPL3810A5 | 3.8x1x0.6 | ○White | 6.75~7.5 | x=0.276~0.296
y=0.253~0.276 | 2.95~3.45 | 120 |
| EAPL3810A6 | 3.8x1x0.6 | ○White | 6.75~7.5 | x=0.276~0.296
y=0.253~0.276 | 2.95~3.45 | 115 |
| EAPL3810A7 | 3.8x1x0.6 | ○White | 7.0~7.75 | x=0.285~0.304
y=0.267~0.290 | 2.95~3.45 | 115 |
| EAPL3810A8 | 3.8x1x0.6 | ○White | 7.0~7.75 | x=0.285~0.304
y=0.267~0.290 | 2.7~3.0 | 120 |
| EAPL3810A9 | 3.8x1x0.6 | ○White | 1900~2200 mcd | x=0.276~0.296
y=0.253~0.276 | 2.95~3.45 | 115 |
| EAPL3810B0 | 3.8x1x0.6 | ○White | 6.5~7.25 | x=0.285~0.304
y=0.267~0.290 | 2.9~3.4 | 115 |
| EAPL3810B1 | 3.8x1x0.6 | ○White | 7.5~8.25 | x=0.2805~0.300
y=0.260~0.2830 | 2.7~3.0 | 120 |
| EAPL3810B2 | 3.8x1x0.6 | ○White | 7.25~8.0 | x=0.276~0.296
y=0.253~0.276 | 2.95~3.45 | 120 |
| EAPL3810B3 | 3.8x1x0.6 | ○White | 5.75~6.0 | x=0.285~0.304
y=0.267~0.290 | 2.9~3.4 | 115 |
| EAPL3810B4 | 3.8x1x0.6 | ○White | 6.25~7.0 | x=0.288~0.3062
y=0.262~0.2853 | 2.95~3.45 | 115 |
| EAPL3810B5 | 3.8x1x0.6 | ○White | 6.25~7.0 | x=0.288~0.3062
y=0.262~0.2853 | 2.95~3.45 | 120 |
| EAPL3810B6 | 3.8x1x0.6 | ○White | 8.0~8.75 | x=0.2935~0.312
y=0.2815~0.304 | 2.95~3.45 | 115 |
| EAPL3810B7 | 3.8x1x0.6 | ○White | 6.0~6.75 | x=0.276~0.296
y=0.253~0.276 | 2.9~3.4 | 120 |

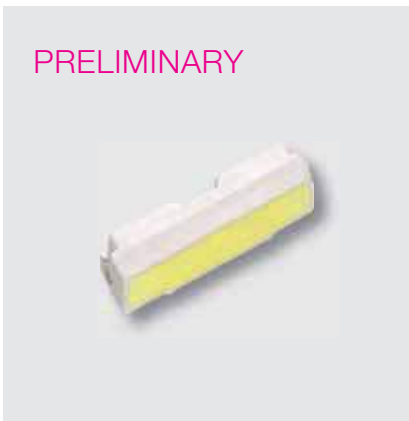
SMD LED | Surface Mount PLCC LEDs (Reflector) | Side View LED



UNIT : mm

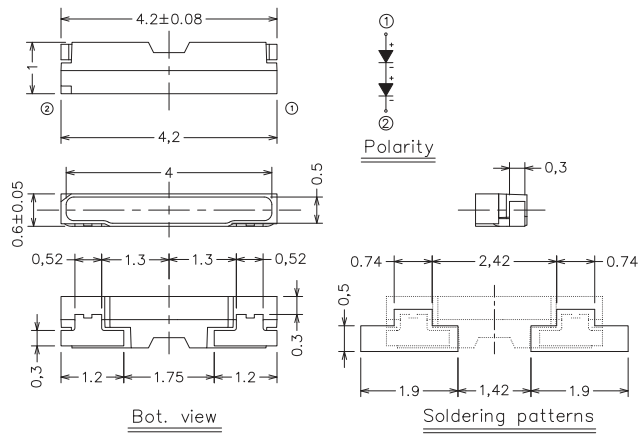


| Product | Size (LxWxHmm) | Color | I _v (lm) | CIE | V _F (V) | Viewing Angle (°) |
|-------------|----------------|---------|---------------------|--------------------------------|--------------------|-------------------|
| EAPL38108A0 | 3.8x1x0.8 | ○ White | 2500~2800 mcd | x=0.277~0.292
y=0.259~0.275 | 2.75~3.00 | 120 |
| EAPL38108A1 | 3.8x1x0.8 | ○ White | 2000~3000 mcd | -- | 2.95~3.35 | 115 |
| EAPL38108A2 | 3.8x1x0.8 | ○ White | 2300~2600 mcd | x=0.276~0.300
y=0.253~0.283 | 2.7~3.05 | 120 |
| EAPL38108A3 | 3.8x1x0.8 | ○ White | 2500~2800 mcd | x=0.277~0.292
y=0.259~0.275 | 2.75~3.00 | 120 |
| EAPL38108A4 | 3.8x1x0.8 | ○ White | 2500~2800 mcd | x=0.277~0.292
y=0.259~0.275 | 2.75~3.00 | 120 |



PRELIMINARY

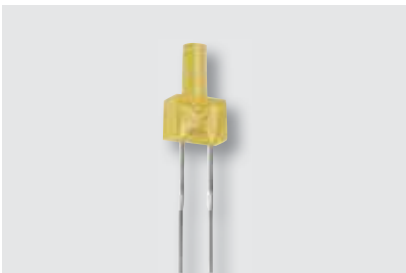
UNIT : mm



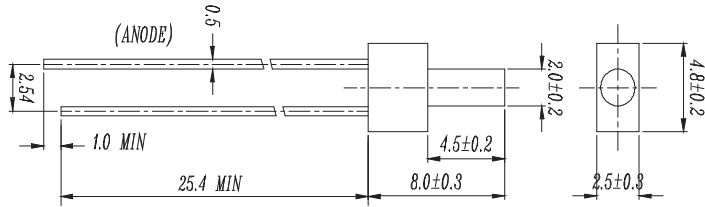
| Product | Size (LxWxHmm) | Color | I _v (lm) | CIE | V _F (V) | Viewing Angle (°) |
|------------|----------------|---------|---------------------|--------------------------------|--------------------|-------------------|
| EAPL4210A1 | 4.2x1x0.6 | ○ White | 14~16 | X=0.285~0.304
Y=0.267~0.290 | 5.4~6.2 | 120 |
| EAPL4210A2 | 4.2x1x0.6 | ○ White | 13~15 | X=0.276~0.296
Y=0.253~0.276 | 5.4~6.2 | 120 |

• Availability : Please visit EVERLIGHT AMERICAS website for updated information (www.everlightamericas.com) or contact EVERLIGHT AMERICAS sales for regional options.

LED Lamps | 2mm Tower Type



UNIT : mm

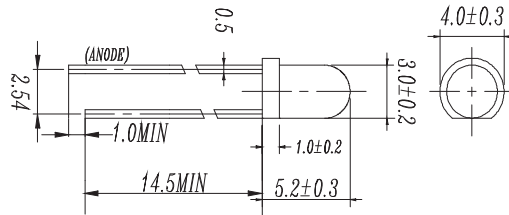


| Product | Size (mm) | Color | Lens Type | λ_d (nm) / CIE(x,y) | Resin Color | I_v (Min/Typ) (mcd) | V_F (Typ/Max) (V) | Viewing Angle (°) |
|--------------|-----------|------------------------|-----------|-----------------------------|----------------|-----------------------|---------------------|-------------------|
| EALP02TRABA0 | 2 | Blue | Tower | 470 | Color Diffused | 40 / 80 | 3.4 / 4.0 | 100 |
| EALP02TRARA0 | 2 | Brilliant Red | Tower | 624 | Color Diffused | 25 / 40 | 2.0 / 2.4 | 130 |
| EALP02TRAGA0 | 2 | Brilliant Yellow Green | Tower | 573 | Color Diffused | 6.3 / 12.5 | 2.0 / 2.4 | 130 |

LED Lamps | 3mm Round Type



UNIT : mm

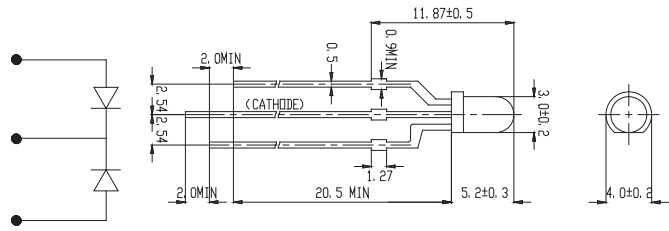


| Product | Size (mm) | Color | Lens Type | λ_d (nm) / CIE(x,y) | Resin Color | I_v (Min/Typ) (mcd) | V_F (Typ/Max) (V) | Viewing Angle (°) |
|---------------|-----------|--|-----------|-----------------------------|----------------|-----------------------|------------------------|-------------------|
| EALP03RDARA1 | 3 | Deep Red | Round | 639 | Color Diffused | 40 / 80 | 2.0 / 2.4 | 50 |
| EALP03RDABA0 | 3 | Blue | Round | 470 | Water Clear | 400 / 800 | 3.4 / 4.0 | 20 |
| EALP03RDAGA0 | 3 | Brilliant Green | Round | 525 | Water Clear | 1600 / 3200 | 3.4 / 4.0 | 30 |
| EALP03RDARA0 | 3 | Brilliant Red | Round | 624 | Water Clear | 1000 / 2000 | 2.0 / 2.4 | 20 |
| EALP03RDARA2 | 3 | Brilliant Red | Round | 624 | Water Clear | 250 / 500 | 2.0 / 2.4 | 25 |
| EALP03RDARA3 | 3 | Brilliant Red | Round | 624 | Color Diffused | 40 / 80 | 2.0 / 2.4 | 45 |
| EALP03RDARA4 | 3 | Brilliant Red | Round | 624 | Trans | 250 / 500 | 2.0 / 2.4 | 20 |
| EALP03RDAGA1 | 3 | Brilliant Yellow Green | Round | 573 | Water Clear | 125 / 250 | 2.0 / 2.4 | 20 |
| EALP03RDAGA3 | 3 | Brilliant Yellow Green | Round | 573 | Color Diffused | 63 / 100 | 2.0 / 2.4 | 45 |
| EALP03RDAGA4 | 3 | Brilliant Yellow Green | Round | 573 | Trans | 100 / 200 | 2.0 / 2.4 | 20 |
| EALP03RDAOA0 | 3 | Reddish Orange | Round | 615 | Water Clear | 1600 / 3200 | 2.0 / 2.4 | 20 |
| EALP03RDAYA0 | 3 | Brilliant Yellow | Round | 589 | Water Clear | 1000 / 3200 | 2.0 / 2.4 | 20 |
| EALP03RDAYA1 | 3 | Brilliant Yellow | Round | 589 | Water Clear | 310 / 540 | 2.0 / 2.4 | 20 |
| EALP03RDAYA2 | 3 | Brilliant Yellow | Round | 589 | Water Clear | 320 / 400 | 2.0 / 2.4 | 20 |
| EALP03RDAYA3 | 3 | Brilliant Yellow | Round | 589 | Color Diffused | 100 / 200 | 2.0 / 2.4 | 40 |
| EALP03RDAYA4 | 3 | Brilliant Yellow | Round | 589 | Color Diffused | 100 / 200 | 2.0 / 2.4 | 60 |
| EALP03RDAAA0 | 3 | Brilliant Orange | Round | 605 | Water Clear | 320 / 500 | 2.0 / 2.4 | 30 |
| EALP03RDAYA5 | 3 | Brilliant Yellow | Round | 589 | Trans | 250 / 500 | 2.0 / 2.4 | 20 |
| EALP03RDABA1 | 3 | Blue | Round | 470 | Color Diffused | 630 / 1250 | 2.7 / 3.7 | 20 |
| EALP03RDAGA2 | 3 | Brilliant Yellow Green | Round | 573 | Color Diffused | 25 / 50 | 1.7 / 2.4 | 20 |
| EALP03RDARGA0 | 3 | Brilliant Red
Brilliant Yellow Green | Round | 624
573 | White Diffused | 20 / 32
10 / 20 | 1.7 / 2.4
1.7 / 2.4 | 20 |
| EALP03RDARGA1 | 3 | Brilliant Red
Brilliant Yellow Green | Round | 624
573 | White Diffused | 25 / 50
4 / 8 | 1.7 / 2.4
1.7 / 2.4 | 20 |
| EALP03RDBGYA0 | 3 | Brilliant Yellow Green
Brilliant Yellow | Round | 573
589 | White Diffused | 10 / 20
25 / 50 | 1.7 / 2.4
1.7 / 2.4 | 20 |

LED Lamps | 3mm Round Type



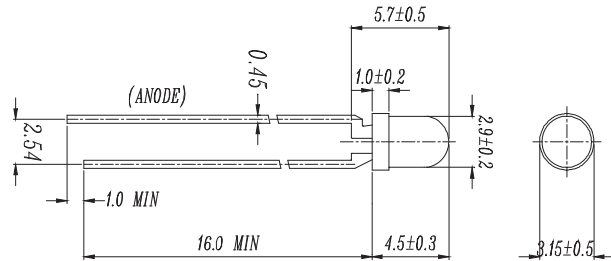
UNIT : mm



| Product | Size (mm) | Color | Lens Type | λ_d (nm) / CIE(x,y) | Resin Color | I_V (Min/Typ) (mcd) | V_F (Typ/Max) (V) | Viewing Angle (°) |
|---------------|-----------|---|-----------|-----------------------------|----------------|------------------------|------------------------|-------------------|
| EALP03RDBRGA0 | 3 | ● Brilliant Red
● Brilliant Yellow Green | Round | 624 / 573 | White Diffused | 40 / 80
20 / 40 | 2.0 / 2.4
2.0 / 2.4 | 80 |
| EALP03RDBRGA2 | 3 | ● Deep Red
● Brilliant Yellow Green | Round | 639 / 573 | White Diffused | 25 / 50
16 / 32 | 2.0 / 2.4
2.0 / 2.4 | 80 |
| EALP03RDBRGA1 | 3 | ● Brilliant Red
● Brilliant Yellow Green | Round | 624 / 573 | Water Clear | 63 / 125
40 / 80 | 2.0 / 2.4
2.0 / 2.4 | 60 |
| EALP03RDBAGA0 | 3 | ● Brilliant Orange
● Brilliant Green | Round | 605 / 525 | Water Clear | 100 / 200
160 / 320 | 2.0 / 2.4
3.5 / 4.3 | 50 |



UNIT : mm

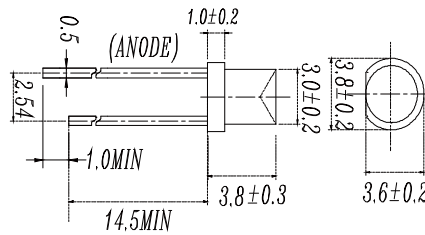


| Product | Size (mm) | Color | Lens Type | λ_d (nm) / CIE(x,y) | Resin Color | I_V (Min/Typ) (mcd) | V_F (Typ/Max) (V) | Viewing Angle (°) |
|--------------|-----------|--------------------------|-----------|-----------------------------|----------------|-----------------------|---------------------|-------------------|
| EALP03RDCRA5 | 2.9 | ● Deep Red | Round | 639 | Water Clear | 40 / 100 | 2.0 / 2.4 | 40 |
| EALP03RDCRA2 | 2.9 | ● Deep Red | Round | 639 | Color Diffused | 50 / 100 | 2.0 / 2.4 | 60 |
| EALP03RDCAA0 | 2.9 | ● Brilliant Orange | Round | 605 | Water clear | 110 / 200 | 2.0 / 2.4 | 40 |
| EALP03RDCA3 | 2.9 | ● Brilliant Green | Round | 525 | Water clear | 1000 / 2000 | 3.3 / 3.7 | 30 |
| EALP03RDCRA0 | 2.9 | ● Brilliant Red | Round | 624 | Water Clear | 400 / 800 | 2.0 / 2.4 | 40 |
| EALP03RDCRA3 | 2.9 | ● Brilliant Red | Round | 624 | Color Diffused | 63 / 125 | 2.0 / 2.4 | 60 |
| EALP03RDCRA4 | 2.9 | ● Brilliant Red | Round | 624 | Trans | 160 / 320 | 2.0 / 2.4 | 40 |
| EALP03RDCA4 | 2.9 | ● Brilliant Yellow Green | Round | 573 | Water Clear | 100 / 320 | 2.0 / 2.4 | 35 |
| EALP03RDCA5 | 2.9 | ● Brilliant Yellow Green | Round | 573 | Color Diffused | 20 / 32 | 2.0 / 2.4 | 60 |
| EALP03RDCA6 | 2.9 | ● Brilliant Yellow Green | Round | 573 | Trans | 63 / 125 | 2.0 / 2.4 | 40 |
| EALP03RDCYA0 | 2.9 | ● Brilliant Yellow | Round | 589 | Water Clear | 400 / 800 | 2.0 / 2.4 | 40 |
| EALP03RDCA0 | 2.9 | ● Brilliant Green | Round | 525 | Water Clear | 1600 / 3200 | 2.7 / 3.7 | 20 |
| EALP03RDCA2 | 2.9 | ● Brilliant Green | Round | 525 | Water Clear | 630 / 1250 | 2.7 / 3.7 | 20 |
| EALP03RDCA7 | 2.9 | ● Bluish Green | Round | 505 | Water Clear | 400 / 800 | 2.7 / 3.7 | 20 |
| EALP03RDCRA1 | 2.9 | ● Brilliant Red | Round | 624 | Color Diffused | 100 / 200 | 1.7 / 2.4 | 20 |
| EALP03RDCWA0 | 2.9 | ○ White | Round | x=0.26 y=0.27 | Water Clear | 2250 / 3950 | 2.8 / 3.6 | 20 |
| EALP03RDCWA1 | 2.9 | ○ White | Round | x=0.26 y=0.27 | Water Clear | 2250 / 3950 | 2.8 / 3.6 | 20 |

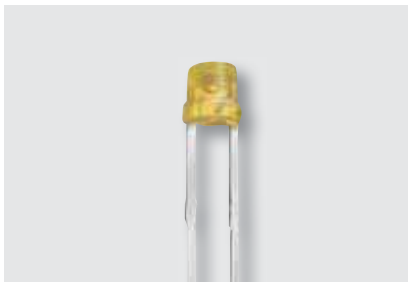
LED Lamps | 3mm Round Type



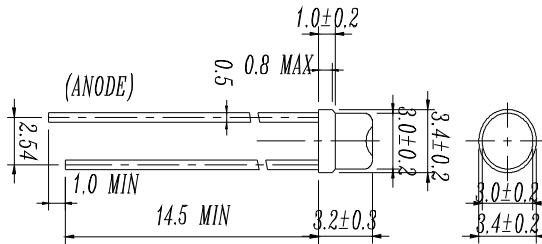
UNIT : mm



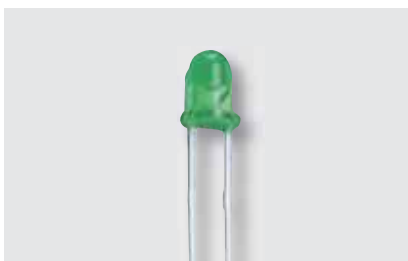
| Product | Size (mm) | Color | Lens Type | λ_d (nm) / CIE(x,y) | Resin Color | I_V (Min/Typ) (mcd) | V_F (Typ/Max) (V) | Viewing Angle (°) |
|--------------|-----------|--------------------------|-----------|-----------------------------|-------------|-----------------------|---------------------|-------------------|
| EALP03RDDRA0 | 3 | ● Brilliant Red | Round | 624 | Trans | 10 / 20 | 2.0 / 2.4 | 130 |
| EALP03RDDYA0 | 3 | ● Brilliant Yellow | Round | 589 | Trans | 16 / 32 | 2.0 / 2.4 | 110 |
| EALP03RDDGA0 | 3 | ● Green | Round | 573 | Trans | 6.3 / 12.5 | 2.0 / 2.4 | 80 |
| EALP03RDDAA0 | 3 | ● Brilliant Yellow Green | Round | 605 | Water clear | 40 / 80 | 2.0 / 2.4 | 160 |



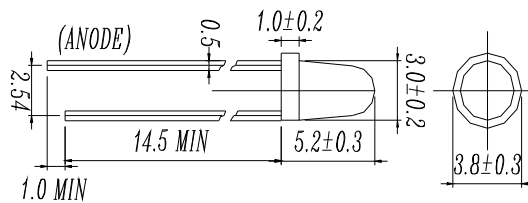
UNIT : mm



| Product | Size (mm) | Color | Lens Type | λ_d (nm) / CIE(x,y) | Resin Color | I_V (Min/Typ) (mcd) | V_F (Typ/Max) (V) | Viewing Angle (°) |
|--------------|-----------|--------------------------|-----------|-----------------------------|-------------|-----------------------|---------------------|-------------------|
| EALP03RDERA0 | 3 | ● Brilliant Red | Round | 624 | Trans | 16 / 32 | 2.0 / 2.4 | 100 |
| EALP03RDEGA0 | 3 | ● Brilliant Yellow Green | Round | 573 | Trans | 10 / 20 | 2.0 / 2.4 | 100 |
| EALP03RDEYA0 | 3 | ● Brilliant Yellow | Round | 589 | Trans | 25 / 50 | 2.0 / 2.4 | 100 |



UNIT : mm

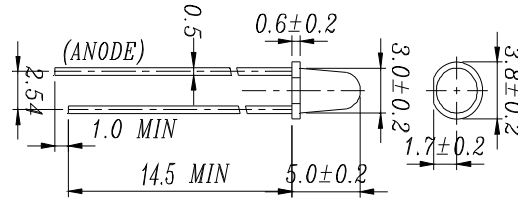


| Product | Size (mm) | Color | Lens Type | λ_d (nm)/CIE(x,y) | Resin Color | I_V (Min/Typ) (mcd) | V_F (Typ/Max) (V) | Viewing Angle (°) |
|--------------|-----------|--------------------------|-----------|---------------------------|-------------|-----------------------|---------------------|-------------------|
| EALP03RDFGA0 | 3 | ● Brilliant Yellow Green | Round | 573 | Water Clear | 63 / 100 | 2.0 / 2.4 | 25 |
| EALP03RDFOA0 | 3 | ● Reddish Orange | Round | 615 | Water Clear | 188 / 295 | 2.0 / 2.4 | 25 |
| EALP03RDFWA0 | 3 | ○ White | Round | x=0.29, y=0.28 | Water Clear | 715 / 1800 | 3.2 / 3.6 | 25 |
| EALP03RDFRA0 | 3 | ● Brilliant Red | Round | 623 | Water clear | 160 / 400 | 2.0 / 2.4 | 20 |
| EALP03RDFYA0 | 3 | ● Brilliant Yellow | Round | 589 | Water clear | 160 / 320 | 2.0 / 2.4 | 25 |
| EALP03RDFRA1 | 3 | ● Deep Red | Round | 639 | Water clear | 110 / 150 | 2.0 / 2.4 | 25 |
| EALP03RDFGA1 | 3 | ● Brilliant Green | Round | 525 | Water clear | 1600 / 2000 | 3.3 / 3.7 | 30 |

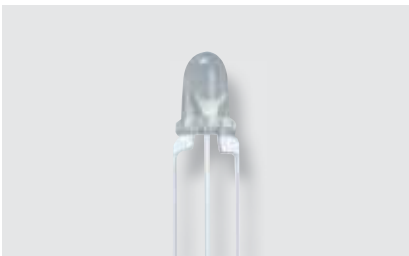
LED Lamps | 3mm Round Type



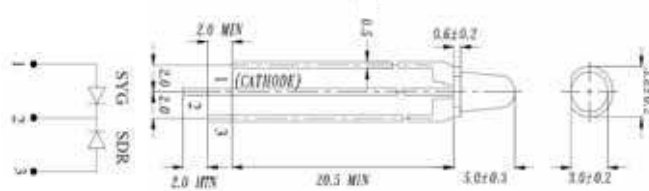
UNIT : mm



| Product | Size (mm) | Color | Lens Type | λ_d (nm) / CIE(x,y) | Resin Color | I_V (Min/Typ) (mcd) | V_F (Typ/Max) (V) | Viewing Angle (°) |
|--------------|-----------|--------------------------|-----------|-----------------------------|----------------|-----------------------|---------------------|-------------------|
| EALP03RDGRA3 | 3 | ● Deep Red | Round | 639 | Color Diffused | 100 / 160 | 2.0 / 2.4 | 30 |
| EALP03RDGRA0 | 3 | ● Brilliant Red | Round | 624 | Color Diffused | 250 / 400 | 2.0 / 2.4 | 30 |
| EALP03RDGRA2 | 3 | ● Brilliant Red | Round | 624 | Trans | 160 / 320 | 2.0 / 2.4 | 30 |
| EALP03RDGGA2 | 3 | ● Brilliant Yellow Green | Round | 573 | Color Diffused | 40 / 63 | 2.0 / 2.4 | 40 |
| EALP03RDGGA1 | 3 | ● Brilliant Yellow Green | Round | 573 | Trans | 160 / 320 | 2.0 / 2.4 | 30 |
| EALP03RDGYA0 | 3 | ● Brilliant Yellow | Round | 589 | Color Diffused | 100 / 200 | 2.0 / 2.4 | 30 |
| EALP03RDGAA0 | 3 | ● Brilliant Orange | Round | 605 | Trans | 250 / 500 | 2.0 / 2.4 | 30 |
| EALP03RDGGA0 | 3 | ● Brilliant Yellow Green | Round | 570 | Color Diffused | 10 / 20 | 2.0 / 2.4 | 20 |
| EALP03RDGRA1 | 3 | ● Brilliant Red | Round | 624 | Color Diffused | 400 / 630 | 1.7 / 2.4 | 30 |



UNIT : mm

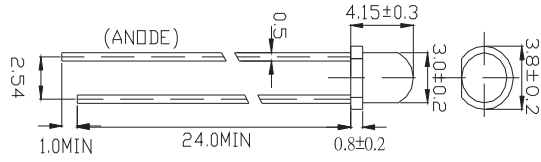


| Product | Size (mm) | Color | Lens Type | λ_d (nm)/CIE(x,y) | Resin Color | I_V (Min/Typ) (mcd) | V_F (Typ/Max) (V) | Viewing Angle (°) |
|---------------|-----------|--|-----------|---------------------------|----------------|-----------------------|------------------------|-------------------|
| EALP03RDHRGA1 | 3 | ● Deep Red
● Brilliant Yellow Green | Round | 639 / 573 | White Diffused | 16 / 32
25 / 50 | 2.0 / 2.4
2.0 / 2.4 | 50 |
| EALP03RDHRGA0 | 3 | ● Brilliant Red
● Brilliant Yellow Green | Round | 624 / 573 | White Diffused | 40 / 80
16 / 32 | 2.0 / 2.4
2.0 / 2.4 | 60 |
| EALP03RDHYGA0 | 3 | ● Brilliant Yellow
● Brilliant Yellow Green | Round | 589 / 573 | White Diffused | 63 / 125
40 / 80 | 2.0 / 2.4
2.0 / 2.4 | 40 |
| EALP03RDHAGA0 | 3 | ● Brilliant Orange
● Brilliant Yellow Green | Round | 605/573 | White Diffused | 63 / 125
25 / 50 | 2.0 / 2.4
2.0 / 2.4 | 60 |

LED Lamps | 3mm Round Type



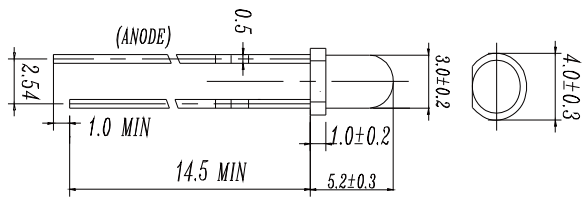
UNIT : mm



| Product | Size (mm) | Color | Lens Type | λ_d (nm)/CIE(x,y) | Resin Color | I_v (Min/Typ) (mcd) | V_F (Typ/Max) (V) | Viewing Angle (°) |
|--------------|-----------|-----------------|-----------|---------------------------|-------------|-----------------------|---------------------|-------------------|
| EALP03RDIBA0 | 3 | Blue | Round | 470 | Water Clear | 160 / 320 | 3.4 / 4.0 | 90 |
| EALP03RDIGA0 | 3 | Brilliant Green | Round | 525 | Water Clear | 500 / 1250 | 3.4 / 4.0 | 45 |
| EALP03RDIRA0 | 3 | Brilliant Red | Round | 624 | Water Clear | 100 / 200 | 2.0 / 2.4 | 90 |
| EALP03RDIGA1 | 3 | Bluish Green | Round | 505 | Water Clear | 400 / 800 | 3.5 / 4.3 | 90 |



UNIT : mm

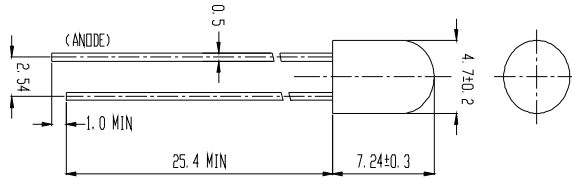


| Product | Size (mm) | Color | Lens Type | λ_d (nm)/CIE(x,y) | Resin Color | I_v (Min/Typ) (mcd) | V_F (Typ/Max) (V) | Viewing Angle (°) |
|--------------|-----------|------------------------|-----------|---------------------------|-------------|-----------------------|---------------------|-------------------|
| EALP03RDJGA0 | 3 | Brilliant Yellow Green | Round | 573 | Water Clear | 250 / 500 | 2.0 / 2.4 | 20 |
| EALP03RDJRA0 | 3 | Brilliant Red | Round | 624 | Water clear | 320 / 500 | 2.0 / 2.4 | 25 |
| EALP03RDJAA0 | 3 | Brilliant Orange | Round | 605 | Water clear | 250 / 500 | 2.0 / 2.4 | 20 |

LED Lamps | 5mm Round Type



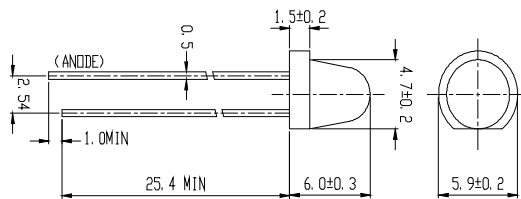
UNIT : mm



| Product | Size (mm) | Color | Lens Type | λ_d (nm)/CIE(x,y) | Resin Color | I_V (Min/Typ) (mcd) | V_F (Typ/Max) (V) | Viewing Angle (°) |
|--------------|-----------|--------------------------|-----------|---------------------------|----------------|-----------------------|---------------------|-------------------|
| EALP05RDAGA0 | 4.7 | ● Brilliant Yellow Green | Round | 573 | Water Clear | 250 / 500 | 2.0 / 2.4 | 20 |
| EALP05RDAYA1 | 4.7 | ● Brilliant Yellow Green | Round | 573 | Color Diffused | 40 / 80 | 2.0 / 2.4 | 45 |
| EALP05RDAYA0 | 4.7 | ● Brilliant Yellow | Round | 589 | Color Diffused | 100 / 200 | 2.0 / 2.4 | 50 |
| EALP05RDARA0 | 4.7 | ● Brilliant Red | Round | 624 | Water clear | 383 / 574 | 2.0 / 2.4 | 20 |
| EALP05RDABA0 | 4.7 | ● Blue | Round | 470 | Water clear | 1000 / 2000 | 3.3 / 3.7 | 20 |



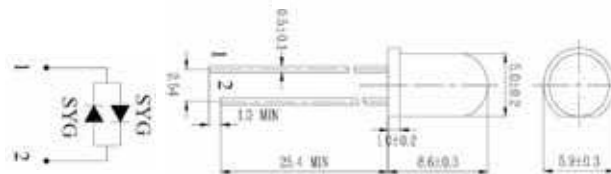
UNIT : mm



| Product | Size (mm) | Color | Lens Type | λ_d (nm)/CIE(x,y) | Resin Color | I_V (Min/Typ) (mcd) | V_F (Typ/Max) (V) | Viewing Angle (°) |
|--------------|-----------|--------------------------|-----------|---------------------------|----------------|-----------------------|---------------------|-------------------|
| EALP05RDBRA1 | 4.7 | ● Brilliant Red | Round | 624 | Color Diffused | 63 / 100 | 2.0 / 2.4 | 40 |
| EALP05RDBGA0 | 4.7 | ● Brilliant Yellow Green | Round | 573 | Color Diffused | 40 / 80 | 2.0 / 2.4 | 60 |
| EALP05RDBBA0 | 4.7 | ● Blue | Round | 470 | Water clear | 1000 / 2000 | 3.3 / 3.7 | 40 |
| EALP05RDBRA0 | 4.7 | ● Deep Red | Round | 639 | Color Diffused | 25 / 50 | 2.0 / 2.4 | 60 |
| EALP05RDBYA0 | 4.7 | ● Brilliant Yellow | Round | 589 | Color Diffused | 100 / 200 | 2.0 / 2.4 | 50 |



UNIT : mm

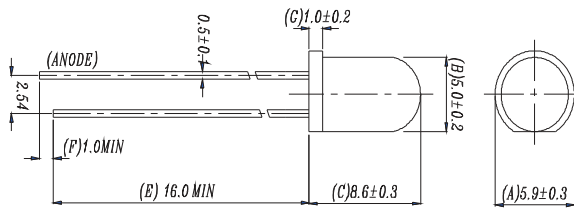


| Product | Size (mm) | Color | Lens Type | λ_d (nm)/CIE(x,y) | Resin Color | I_V (Min/Typ) (mcd) | V_F (Typ/Max) (V) | Viewing Angle (°) |
|---------------|-----------|--|-----------|---------------------------|----------------|-----------------------|------------------------|-------------------|
| EALP05RDRCGA0 | 5 | ● Brilliant Red
● Brilliant Yellow Green | Round | 624 / 573 | White Diffused | 16 / 32
16 / 32 | 2.0 / 2.4
2.0 / 2.4 | 90 |
| EALP05RDCGA0 | 5 | ● Brilliant Yellow Green | Round | 573 / 573 | Color Diffused | 8 / 16 | 2.0 / 2.4 | 90 |
| EALP05RDCYGA0 | 5 | ● Brilliant Yellow
● Brilliant Yellow Green | Round | 589/573 | White Diffused | 40 / 80
16 / 32 | 2.0 / 2.4
2.0 / 2.4 | 80 |

LED Lamps | 5mm Round Type



UNIT : mm

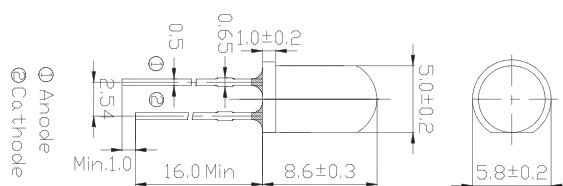


| Product | Size (mm) | Color | Lens Type | λ_d (nm)/
CIE(x,y) | Resin Color | I_v
(Min/Typ)
(mcd) | V_F
(Typ/Max)
(V) | Viewing Angle (°) |
|--------------|-----------|--------------------------|-----------|-------------------------------|----------------|-----------------------------|---------------------------|-------------------|
| EALP05RDDRA0 | 5 | ● Deep Red | Round | 639 | Water Clear | 400 / 1000 | 2.0 / 2.4 | 10 |
| EALP05RDDRA1 | 5 | ● Deep Red | Round | 639 | Color Diffused | 100 / 160 | 2.0 / 2.4 | 30 |
| EALP05RDDRA2 | 5 | ● Deep Red | Round | 639 | Trans | 500 / 1250 | 2.0 / 2.4 | 10 |
| EALP05RDDBA4 | 5 | ● Blue | Round | 470 | Water Clear | 1000 / 2000 | 3.4 / 4.0 | 10 |
| EALP05RDDBA2 | 5 | ● Blue | Round | 470 | Color Diffused | 400 / 800 | 3.4 / 4.0 | 20 |
| EALP05RDDBA3 | 5 | ● Blue | Round | 470 | White Diffused | 100 / 200 | 3.4 / 4.0 | 40 |
| EALP05RDDGA6 | 5 | ● Brilliant Green | Round | 525 | Water Clear | 1600 / 3200 | 3.5 / 4.3 | 10 |
| EALP05RDDGA0 | 5 | ● Brilliant Green | Round | 525 | Water Clear | 4000 / 8000 | 3.4 / 4.0 | 15 |
| EALP05RDDRA3 | 5 | ● Brilliant Red | Round | 624 | Water Clear | 3200 / 5000 | 2.0 / 2.4 | 10 |
| EALP05RDDRA5 | 5 | ● Brilliant Red | Round | 624 | Color Diffused | 100 / 200 | 2.0 / 2.4 | 30 |
| EALP05RDDRA4 | 5 | ● Brilliant Red | Round | 624 | Trans | 400 / 800 | 2.0 / 2.4 | 10 |
| EALP05RDDGA2 | 5 | ● Brilliant Yellow Green | Round | 573 | Water Clear | 400 / 800 | 2.0 / 2.4 | 10 |
| EALP05RDDGA3 | 5 | ● Brilliant Yellow Green | Round | 573 | Color Diffused | 40 / 80 | 2.0 / 2.4 | 30 |
| EALP05RDDGA4 | 5 | ● Brilliant Yellow Green | Round | 573 | Trans | 250 / 400 | 2.0 / 2.4 | 10 |
| EALP05RDDGA5 | 5 | ● Brilliant Yellow Green | Round | 573 | White Diffused | 63 / 125 | 2.0 / 2.4 | 35 |
| EALP05RDDYA5 | 5 | ● Brilliant Yellow | Round | 589 | Water Clear | 1432 / 2148 | 2.0 / 2.4 | 10 |
| EALP05RDDYA1 | 5 | ● Brilliant Yellow | Round | 589 | Water Clear | 2500 / 4000 | 2.0 / 2.4 | 10 |
| EALP05RDDYA4 | 5 | ● Brilliant Yellow | Round | 589 | Water Clear | 630 / 1600 | 2.0 / 2.4 | 10 |
| EALP05RDDYA6 | 5 | ● Brilliant Yellow | Round | 589 | Water Clear | 2000 / 3200 | 2.0 / 2.4 | 10 |
| EALP05RDDYA7 | 5 | ● Brilliant Yellow | Round | 589 | Color Diffused | 160 / 320 | 2.0 / 2.4 | 35 |
| EALP05RDDGA1 | 5 | ● Brilliant Green | Round | 530 | Water Clear | 11250 / 22500 | 2.8 / 3.6 | 20 |
| EALP05RDDRA6 | 5 | ● Brilliant Red | Round | 624 | Trans | 100 / 200 | 1.7 / 2.4 | 20 |
| EALP05RDDYA3 | 5 | ● Brilliant Yellow | Round | 589 | Water Clear | 2500 / 5000 | 1.7 / 2.4 | 20 |

LED Lamps | 5mm Round Type

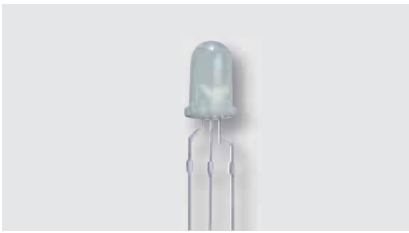


UNIT : mm

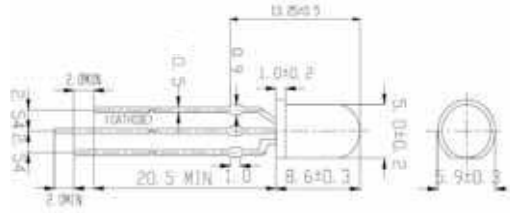


| Product | Size (mm) | Color | Lens Type | λ_d (nm)/CIE(x,y) | Resin Color | I_v (Min/Typ) (mcd) | V_F (Typ/Max) (V) | Viewing Angle (°) |
|--------------|-----------|--------------|-----------|---------------------------|-------------|-----------------------|---------------------|-------------------|
| EALP05RDEWA3 | 5 | ○ White | Round | x=0.30, y=0.29 | Water Clear | 14250 / 28500 | 3.2 / 3.6 | 15 |
| EALP05RDEWA1 | 5 | ○ White | Round | x=0.29, y=0.28 | Water Clear | 4500 / 9000 | 3.2 / 3.6 | 50 |
| EALP05RDEWA0 | 5 | ○ White | Round | x=0.29, y=0.28 | Water Clear | 11250 / 16875 | 2.8 / 3.6 | 20 |
| EALP05RDEWA2 | 5 | ○ White | Round | x=0.30, y=0.29 | Water Clear | 11250 / 16875 | 2.8 / 3.6 | 20 |
| EALP05RDEWA4 | 5 | ○ White | Round | x=0.29, y=0.28 | Water Clear | 7150 / 10700 | 2.8 / 3.6 | 20 |
| EALP05RDEWA5 | 5 | ○ White | Round | x=0.29, y=0.28 | Water Clear | 7150 / 10700 | 2.8 / 3.6 | 20 |
| EALP05RDEWA6 | 5 | ● Warm White | Round | x=0.40, y=0.39 | Water Clear | 7150 / 10700 | 2.8 / 3.6 | 20 |

LED Lamps | 5mm Round Type



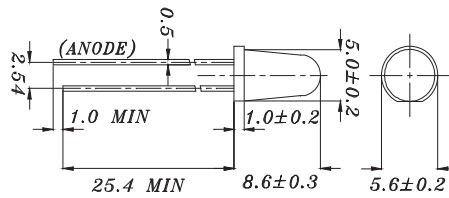
UNIT : mm



| Product | Size (mm) | Color | Lens Type | λ_d (nm)/CIE(x,y) | Resin Color | I_v (Min/Typ) (mcd) | V_F (Typ/Max) (V) | Viewing Angle (°) |
|---------------|-----------|--|-----------|---------------------------|----------------|------------------------|------------------------|-------------------|
| EALP05RDFRGA0 | 5 | ● Brilliant Red
● Brilliant Yellow Green | Round | 624 / 573 | Water Clear | 160 / 250
40 / 63 | 2.0 / 2.4
2.0 / 2.4 | 25 |
| EALP05RDFRGA2 | 5 | ● Brilliant Red
● Brilliant Yellow Green | Round | 624 / 573 | White Diffused | 40 / 80
25 / 50 | 2.0 / 2.4
2.0 / 2.4 | 70 |
| EALP05RDFYGA0 | 5 | ● Brilliant Yellow
● Brilliant Yellow Green | Round | 589 / 573 | White Diffused | 63 / 100
32 / 50 | 2.0 / 2.4
2.0 / 2.4 | 70 |
| EALP05RDFYBA0 | 5 | ● Brilliant Yellow
● Blue | Round | 589 / 470 | White Diffused | 25 / 50
16 / 32 | 2.0 / 2.4
3.5 / 4.3 | 100 |
| EALP05RDFRGA1 | 5 | ● Deep Red
● Brilliant Yellow Green | Round | 639/573 | Water clear | 160 / 320
160 / 620 | 2.0 / 2.4
2.0 / 2.4 | 30 |



UNIT : mm

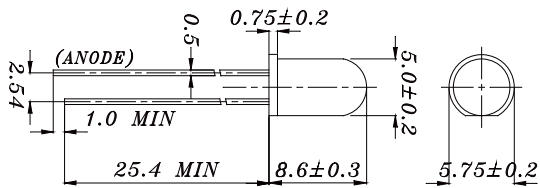


| Product | Size (mm) | Color | Lens Type | λ_d (nm)/CIE(x,y) | Resin Color | I_v (Min/Typ) (mcd) | V_F (Typ/Max) (V) | Viewing Angle (°) |
|--------------|-----------|--------------------------|-----------|---------------------------|----------------|-----------------------|---------------------|-------------------|
| EALP05RDGRA0 | 5 | ● Deep Red | Round | 639 | Water clear | 1000 / 2000 | 2.0 / 2.4 | 6 |
| EALP05RDGGA1 | 5 | ● Brilliant Green | Round | 525 | Water clear | 2500 / 4500 | 3.3 / 3.7 | 25 |
| EALP05RDGBA0 | 5 | ● Blue | Round | 470 | Water Clear | 1600 / 3200 | 3.4 / 4.0 | 20 |
| EALP05RDGRA3 | 5 | ● Brilliant Red | Round | 624 | Water Clear | 4000 / 6300 | 2.0 / 2.4 | 6 |
| EALP05RDGRA1 | 5 | ● Brilliant Red | Round | 624 | Water Clear | 6300 / 12500 | 2.0 / 2.4 | 6 |
| EALP05RDGRA2 | 5 | ● Brilliant Red | Round | 624 | Water Clear | 1000 / 2500 | 2.0 / 2.4 | 6 |
| EALP05RDGRA4 | 5 | ● Brilliant Red | Round | 624 | Water Clear | 4000 / 6300 | 2.0 / 2.4 | 6 |
| EALP05RDGGA0 | 5 | ● Brilliant Yellow Green | Round | 573 | Water Clear | 160 / 320 | 2.0 / 2.4 | 10 |
| EALP05RDGGA2 | 5 | ● Brilliant Yellow Green | Round | 573 | Color Diffused | 40 / 80 | 2.0 / 2.4 | 25 |
| EALP05RDGOA0 | 5 | ● Reddish Orange | Round | 615 | Water Clear | 6300 / 8000 | 2.0 / 2.4 | 6 |
| EALP05RDGYA0 | 5 | ● Brilliant Yellow | Round | 589 | Water Clear | 4000 / 8000 | 2.0 / 2.4 | 6 |
| EALP05RDGYA1 | 5 | ● Brilliant Yellow | Round | 589 | Water Clear | 2713 / 4263 | 2.0 / 2.4 | 6 |

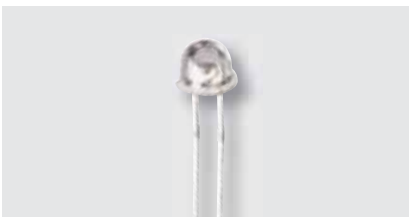
LED Lamps | 5mm Round Type



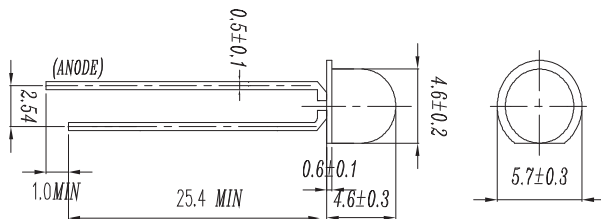
UNIT : mm



| Product | Size (mm) | Color | Lens Type | λ_d (nm)/ CIE(x,y) | Resin Color | I_V (Min/Typ) (mcd) | V_F (Typ/Max) (V) | Viewing Angle (°) |
|--------------|-----------|--------------------------|-----------|----------------------------|----------------|-----------------------|---------------------|-------------------|
| EALP05RDHRA2 | 5 | ● Deep Red | Round | 639 | Color Diffused | 160 / 320 | 2.0 / 2.4 | 30 |
| EALP05RDHRA0 | 5 | ● Brilliant Red | Round | 624 | Color Diffused | 250 / 500 | 2.0 / 2.4 | 40 |
| EALP05RDHRA1 | 5 | ● Deep Red | Round | 639 | Color Diffused | 160 / 320 | 2.0 / 2.4 | 30 |
| EALP05RDHRA3 | 5 | ● Brilliant Red | Round | 624 | Trans | 400 / 800 | 2.0 / 2.4 | 25 |
| EALP05RDHGA1 | 5 | ● Brilliant Yellow Green | Round | 573 | Color Diffused | 100 / 200 | 2.0 / 2.4 | 25 |
| EALP05RDHGA0 | 5 | ● Brilliant Yellow Green | Round | 573 | Trans | 630 / 1250 | 2.0 / 2.4 | 20 |
| EALP05RDHYA0 | 5 | ● Brilliant Yellow | Round | 589 | Color Diffused | 400 / 800 | 2.0 / 2.4 | 25 |



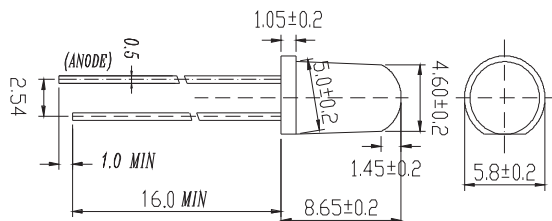
UNIT : mm



| Product | Size (mm) | Color | Lens Type | λ_d (nm)/ CIE(x,y) | Resin Color | I_V (Min/Typ) (mcd) | V_F (Typ/Max) (V) | Viewing Angle (°) |
|--------------|-----------|--------------------------|-----------|----------------------------|-------------|-----------------------|---------------------|-------------------|
| EALP05RDIBA0 | 4.6 | ● Blue | Round | 470 | Water Clear | 250 / 500 | 3.4 / 4.0 | 60 |
| EALP05RDIRA0 | 4.6 | ● Brilliant Red | Round | 624 | Water Clear | 160 / 320 | 2.0 / 2.4 | 100 |
| EALP05RDIGA1 | 4.6 | ● Brilliant Green | Round | 525 | Water clear | 630 / 1250 | 3.3 / 3.7 | 50 |
| EALP05RDIGA0 | 4.6 | ● Brilliant Yellow Green | Round | 573 | Water clear | 40 / 80 | 2.0 / 2.4 | 70 |



UNIT : mm

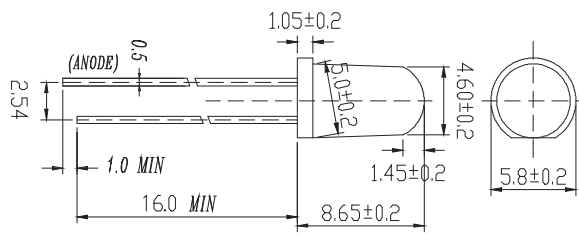


| Product | Size (mm) | Color | Lens Type | λ_d (nm)/ CIE(x,y) | Resin Color | I_V (Min/Typ) (mcd) | V_F (Typ/Max) (V) | Viewing Angle (°) |
|--------------|-----------|--------------------------|-----------|----------------------------|----------------|-----------------------|---------------------|-------------------|
| EALP05RDJRA0 | 4.6 | ● Brilliant Red | Round | 624 | Water Clear | 2500 / 3200 | 2.0 / 2.4 | 20 |
| EALP05RDJRA2 | 4.6 | ● Brilliant Red | Round | 624 | Color Diffused | 160 / 320 | 2.0 / 2.4 | 40 |
| EALP05RDJRA1 | 4.6 | ● Brilliant Red | Round | 624 | Water clear | 400 / 800 | 2.0 / 2.4 | 20 |
| EALP05RDJGA0 | 4.6 | ● Brilliant Yellow Green | Round | 573 | Color Diffused | 63 / 125 | 2.0 / 2.4 | 40 |
| EALP05RDJOA0 | 4.6 | ● Reddish Orange | Round | 615 | Water Clear | 630 / 1250 | 2.0 / 2.4 | 20 |
| EALP05RDJYA0 | 4.6 | ● Brilliant Yellow | Round | 589 | Water Clear | 1600 / 2500 | 2.0 / 2.4 | 30 |
| EALP05RDJYA1 | 4.6 | ● Brilliant Yellow | Round | 589 | Water Clear | 1600 / 3200 | 2.0 / 2.4 | 30 |
| EALP05RDJYA2 | 4.6 | ● Brilliant Yellow | Round | 589 | Water Clear | 1000 / 2000 | 2.0 / 2.4 | 15 |
| EALP05RDJRA3 | 4.6 | ● Brilliant Red | Round | 624 | Water Clear | 1000 / 1600 | 2.0 / 2.4 | 30 |

LED Lamps | 5mm Round Type



UNIT : mm

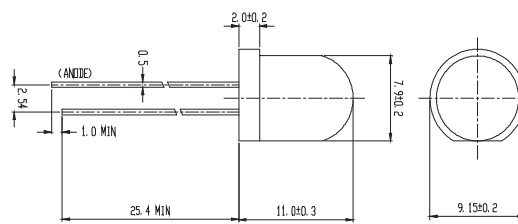


| Product | Size (mm) | Color | Lens Type | λ_d (nm)/
CIE(x,y) | Resin Color | I_v (Min/Typ)
(mcd) | V_F (Typ/Max)
(V) | Viewing Angle (°) |
|--------------|-----------|-----------------|-----------|-------------------------------|-------------|--------------------------|------------------------|-------------------|
| EALP05RDKBA0 | 4.6 | Blue | Round | 470 | Water Clear | 1000 / 2000 | 3.4 / 4.0 | 30 |
| EALP05RDKGA0 | 4.6 | Brilliant Green | Round | 525 | Water Clear | 5000 / 8000 | 3.4 / 4.0 | 30 |
| EALP05RDKGA1 | 4.6 | Brilliant Green | Round | 525 | Water Clear | 8000 / 11000 | 3.4 / 4.0 | 20 |

LED Lamps | 8mm Round Type

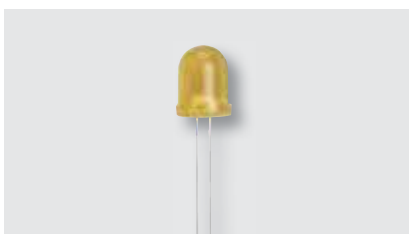


UNIT : mm

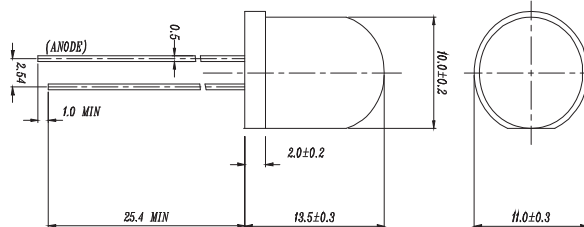


| Product | Size (mm) | Color | Lens Type | λ_d (nm)/
CIE(x,y) | Resin Color | I_v (Min/Typ)
(mcd) | V_F (Typ/Max)
(V) | Viewing Angle (°) |
|--------------|-----------|------------------------|-----------|-------------------------------|----------------|--------------------------|------------------------|-------------------|
| EALP05RDGRA5 | 7.9 | Brilliant Red | Round | 624 | Color Diffused | 63 / 125 | 2.0 / 2.4 | 60 |
| EALP08RDAYA0 | 7.9 | Brilliant Yellow | Round | 589 | Color Diffused | 80 / 125 | 2.0 / 2.4 | 60 |
| EALP05RDGGA3 | 7.9 | Brilliant Yellow Green | Round | 573 | Water clear | 320 / 630 | 2.0 / 2.4 | 20 |

LED Lamps | 10mm Round Type

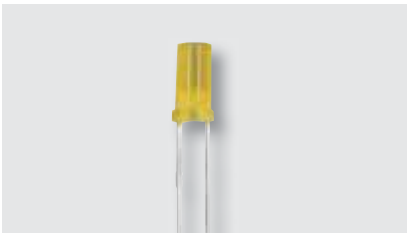


UNIT : mm

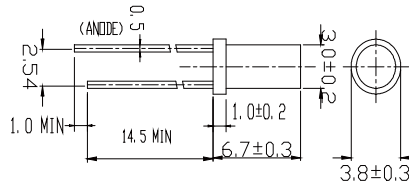


| Product | Size (mm) | Color | Lens Type | λ_d (nm)/
CIE(x,y) | Resin Color | I_v (Min/Typ)
(mcd) | V_F (Typ/Max)
(V) | Viewing Angle (°) |
|--------------|-----------|------------------------|-----------|-------------------------------|----------------|--------------------------|------------------------|-------------------|
| EALP10RDARA0 | 10 | Brilliant Red | Round | 624 | Color Diffused | 63 / 125 | 2.0 / 2.4 | 40 |
| EALP10RDAGA1 | 10 | Brilliant Yellow Green | Round | 573 | Color Diffused | 16 / 32 | 2.0 / 2.4 | 30 |
| EALP10RDAYA0 | 10 | Brilliant Yellow | Round | 589 | Water clear | 250 / 630 | 2.0 / 2.4 | 25 |
| EALP10RDAGA0 | 10 | Brilliant Green | Round | 525 | Color Diffused | 630 / 1250 | 3.3 / 3.7 | 40 |

LED Lamps | 3mm Cylindrical



UNIT : mm

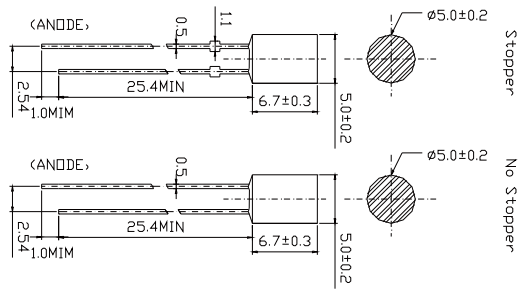


| Product | Size (mm) | Color | Lens Type | λ_d (nm)/CIE(x,y) | Resin Color | I_V (Min/Typ) (mcd) | V_F (Typ/Max) (V) | Viewing Angle (°) |
|--------------|-----------|--------------------|-------------|---------------------------|----------------|-----------------------|---------------------|-------------------|
| EALP03CLAYA0 | 3 | ● Brilliant Yellow | Cylindrical | 589 | Color Diffused | 25 / 40 | 2.0 / 2.4 | 120 |
| EALP03CLARA0 | 3 | ● Brilliant Red | Cylindrical | 624 | Color Diffused | 16 / 32 | 2.0 / 2.4 | 120 |

LED Lamps | 5mm Cylindrical



UNIT : mm

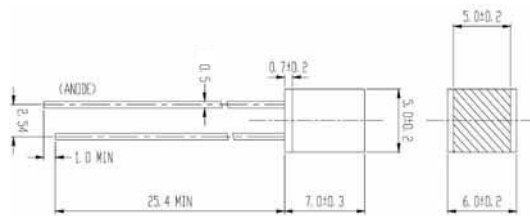


| Product | Size (mm) | Color | Lens Type | λ_d (nm)/CIE(x,y) | Resin Color | I_V (Min/Typ) (mcd) | V_F (Typ/Max) (V) | Viewing Angle (°) |
|--------------|-----------|--------------------|-------------|---------------------------|-------------|-----------------------|---------------------|-------------------|
| EALP05CLAYA0 | 5 | ● Brilliant Yellow | Cylindrical | 589 | Water Clear | 100 / 200 | 2.0 / 2.4 | 90 |
| EALP05CLARA0 | 5 | ● Brilliant Red | Cylindrical | 624 | Water clear | 25 / 63 | 2.0 / 2.4 | 80 |

LED Lamps | 5mm Square



UNIT : mm

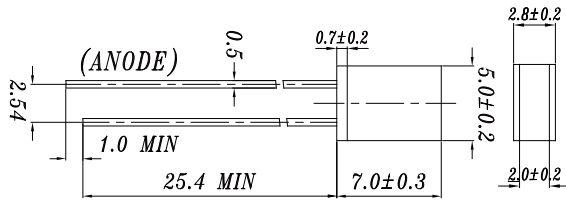


| Product | Size (mm) | Color | Lens Type | λ_d (nm)/CIE(x,y) | Resin Color | I_V (Min/Typ) (mcd) | V_F (Typ/Max) (V) | Viewing Angle (°) |
|--------------|-----------|--------------------------|-----------|---------------------------|----------------|-----------------------|---------------------|-------------------|
| EALP05SQARA1 | 5x5 | ● Brilliant Red | Square | 624 | Color Diffused | 12.5 / 20 | 2.0 / 2.4 | 130 |
| EALP05SQAGA0 | 5x5 | ● Brilliant Yellow Green | Square | 573 | Color Diffused | 2.5 / 5 | 2.0 / 2.4 | 170 |
| EALP05SQAYA0 | 5x5 | ● Brilliant Yellow | Square | 589 | Color Diffused | 10 / 20 | 2.0 / 2.4 | 170 |
| EALP05SQAGA1 | 5x5 | ● Brilliant Yellow Green | Square | 573 | Color Diffused | 2.5 / 5 | 2.0 / 2.4 | 170 |
| EALP05SQARA0 | 5x5 | ● Deep Red | Square | 639 | Color Diffused | 4 / 8 | 2.0 / 2.4 | 170 |

LED Lamps | Rectangular



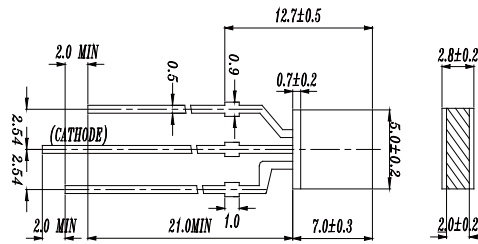
UNIT : mm



| Product | Size (mm) | Color | Lens Type | λ_d (nm)/CIE(x,y) | Resin Color | I_v (Min/Typ) (mcd) | V_F (Typ/Max) (V) | Viewing Angle (°) |
|--------------|-----------|--------------------------|-----------|---------------------------|----------------|-----------------------|---------------------|-------------------|
| EALP02RRARA0 | 2x5 | ● Brilliant Red | Rectangle | 624 | Color Diffused | 10 / 20 | 2.0 / 2.4 | 180 |
| EALP02RRAGA0 | 2x5 | ● Brilliant Yellow Green | Rectangle | 573 | Color Diffused | 6.3 / 12.5 | 2.0 / 2.4 | 140 |
| EALP02RRBRA1 | 2x5 | ● Deep Red | Rectangle | 639 | Color Diffused | 4 / 8 | 1.7 / 2.4 | 120 |
| EALP02RRAYA0 | 2x5 | ● Brilliant Yellow | Rectangle | 589 | Color Diffused | 20 / 32 | 2.0 / 2.4 | 150 |
| EALP02RRBRA0 | 2x5 | ● Brilliant Red | Rectangle | 470 | Color Diffused | 10 / 20 | 2.0 / 2.4 | 180 |
| EALP02RRBGA0 | 2x5 | ● Brilliant Yellow Green | Rectangle | 639 | Color Diffused | 2.5 / 5 | 1.7 / 2.4 | 180 |
| EALP02RRAAA0 | 2x5 | ● Brilliant Orange | Rectangle | 605 | Trans | 40 / 80 | 2.0 / 2.4 | 40 |
| EALP02RRBYA1 | 2x5 | ● Brilliant Yellow | Rectangle | 589 | Color Diffused | 10 / 20 | 1.7 / 2.4 | 180 |



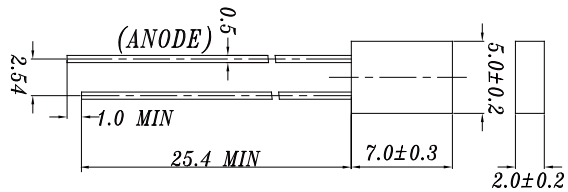
UNIT : mm



| Product | Size (mm) | Color | Lens Type | λ_d (nm)/CIE(x,y) | Resin Color | I_v (Min/Typ) (mcd) | V_F (Typ/Max) (V) | Viewing Angle (°) |
|---------------|-----------|--|-----------|---------------------------|----------------|-------------------------|------------------------|-------------------|
| EALP02RRCRGA0 | 2x5 | ● Brilliant Red
● Brilliant Yellow Green | Rectangle | 624 / 573 | White Diffused | 6.3 / 12.5
2.5 / 5.0 | 2.0 / 2.4
2.0 / 2.4 | 180 |
| EALP02RRCYGA0 | 2x5 | ● Brilliant Yellow
● Brilliant Yellow Green | Rectangle | 589/573 | White Diffused | 6.3 / 12.5
4 / 8 | 2.0 / 2.4
2.0 / 2.4 | 180 |



UNIT : mm

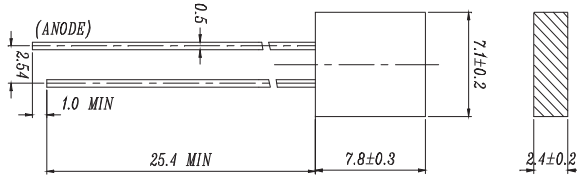


| Product | Size (mm) | Color | Lens Type | λ_d (nm)/CIE(x,y) | Resin Color | I_v (Min/Typ) (mcd) | V_F (Typ/Max) (V) | Viewing Angle (°) |
|--------------|-----------|--------------------------|-----------|---------------------------|----------------|-----------------------|---------------------|-------------------|
| EALP02RRDRA1 | 2x5 | ● Deep Red | Rectangle | 639 | Color Diffused | 10 / 16 | 2.0 / 2.4 | 120 |
| EALP02RRDRA0 | 2x5 | ● Brilliant Red | Rectangle | 624 | Color Diffused | 16 / 32 | 2.0 / 2.4 | 120 |
| EALP02RRDBA0 | 2*5 | ● Blue | Rectangle | 470 | Water clear | 63 / 100 | 3.3 / 3.7 | 90 |
| EALP02RRDYA0 | 2x5 | ● Brilliant Yellow | Rectangle | 589 | Color Diffused | 6.3 / 12.5 | 2.0 / 2.4 | 180 |
| EALP02RRDGA0 | 2x5 | ● Brilliant Yellow Green | Rectangle | 573 | Color Diffused | 4 / 8 | 2.0 / 2.4 | 150 |

LED Lamps | Rectangular



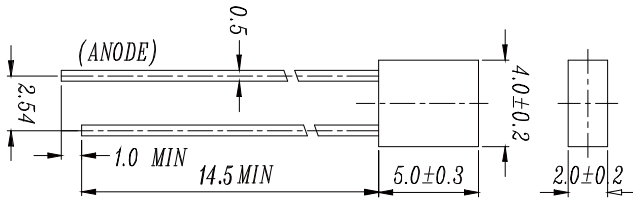
UNIT : mm



| Product | Size (mm) | Color | Lens Type | λ_d (nm)/
CIE(x,y) | Resin Color | I_v (Min/Typ) (mcd) | V_F (Typ/Max) (V) | Viewing Angle (°) |
|--------------|-----------|--------------------------|-------------|-------------------------------|----------------|-----------------------|---------------------|-------------------|
| EALP02RRERA1 | 2.4x7.1 | ● Deep Red | Rectangular | 639 | Color Diffused | 4 / 8 | 2.0 / 2.4 | 180 |
| EALP02RRERA0 | 2.4x7.1 | ● Brilliant Red | Rectangular | 624 | Color Diffused | 16 / 25 | 2.0 / 2.4 | 120 |
| EALP02RREGA0 | 2.4x7.1 | ● Brilliant Yellow Green | Rectangular | 573 | Color Diffused | 2.5 / 5.0 | 2.0 / 2.4 | 180 |



UNIT : mm

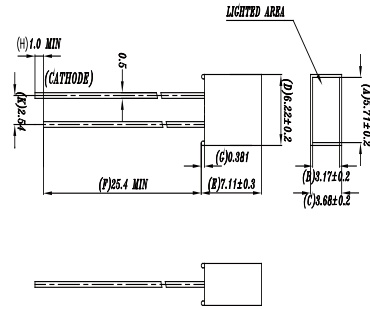


| Product | Size (mm) | Color | Lens Type | λ_d (nm)/
CIE(x,y) | Resin Color | I_v (Min/Typ) (mcd) | V_F (Typ/Max) (V) | Viewing Angle (°) |
|--------------|-----------|--------------------------|-------------|-------------------------------|----------------|-----------------------|---------------------|-------------------|
| EALP02RRFBA0 | 2x4 | ● Blue | Rectangular | 470 | Water Clear | 40 / 63 | 3.4 / 4.0 | 100 |
| EALP02RRFRA0 | 2x4 | ● Brilliant Red | Rectangular | 624 | Color Diffused | 10 / 16 | 2.0 / 2.4 | 170 |
| EALP02RRFYA0 | 2x4 | ● Brilliant Yellow | Rectangular | 589 | Color Diffused | 10 / 20 | 2.0 / 2.4 | 180 |
| EALP02RRFGA0 | 2x4 | ● Brilliant Yellow Green | Rectangular | 573 | Color Diffused | 4.0 / 8.0 | 2.0 / 2.4 | 180 |

LED Lamps | Rectangular



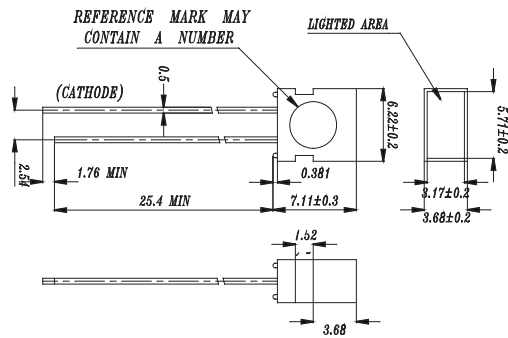
UNIT : mm



| Product | Size (mm) | Color | Lens Type | λ_d (nm)/CIE(x,y) | Resin Color | I_v (Min/Typ) (mcd) | V_F (Typ/Max) (V) | Viewing Angle (°) |
|--------------|-----------|--------------------------|-------------|---------------------------|----------------|-----------------------|---------------------|-------------------|
| EALP03RRARA0 | 3.68x6.22 | ● Brilliant Red | Rectangular | 624 | Color Diffused | 25 / 50 | 2.0 / 2.4 | 110 |
| EALP03RRAGA0 | 3.68x6.22 | ● Brilliant Yellow Green | Rectangular | 573 | Color Diffused | 6.3 / 12.5 | 2.0 / 2.4 | 110 |
| EALP03RRAYA0 | 3.68x6.22 | ● Brilliant Yellow | Rectangular | 589 | Color Diffused | 25 / 50 | 2.0 / 2.4 | 110 |
| EALP03RRABA0 | 3.68x6.22 | ● Blue | Rectangular | 470 | Color Diffused | 63 / 125 | 3.3 / 3.7 | 100 |
| EALP03RRAGA1 | 3.68x6.22 | ● Brilliant Green | Rectangular | 525 | Color Diffused | 16 / 50 | 3.3 / 3.7 | 110 |



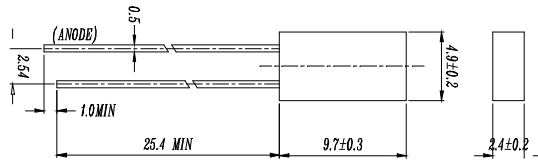
UNIT : mm



| Product | Size (mm) | Color | Lens Type | λ_d (nm)/CIE(x,y) | Resin Color | I_v (Min/Typ) (mcd) | V_F (Typ/Max) (V) | Viewing Angle (°) |
|---------------|-----------|---|-------------|---------------------------|----------------|-----------------------|------------------------|-------------------|
| EALP03RRBGRA0 | 3.68x6.22 | ● Brilliant Yellow Green
● Brilliant Red | Rectangular | 573 / 624 | White Diffused | 10 / 20
25 / 50 | 2.0 / 2.4
2.0 / 2.4 | 120 |



UNIT : mm

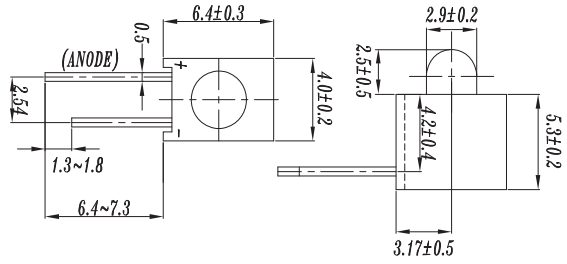


| Product | Size (mm) | Color | Lens Type | λ_d (nm)/CIE(x,y) | Resin Color | I_v (Min/Typ) (mcd) | V_F (Typ/Max) (V) | Viewing Angle (°) |
|--------------|-----------|--------------------------|-----------|---------------------------|----------------|-----------------------|---------------------|-------------------|
| EALP02RRGGA0 | 2.4x4.9 | ● Brilliant Yellow Green | Round | 573 | Color Diffused | 2.5 / 5.0 | 2.0 / 2.4 | 180 |
| EALP02RRGRA0 | 2.4x4.9 | ● Brilliant Red | Round | 624 | Color Diffused | 10 / 20 | 2.0 / 2.4 | 170 |
| EALP02RRGYA0 | 2.4x4.9 | ● Brilliant Yellow | Round | 589 | Color Diffused | 10 / 20 | 2.0 / 2.4 | 180 |

LED Lamps | 3mm Assembly LED



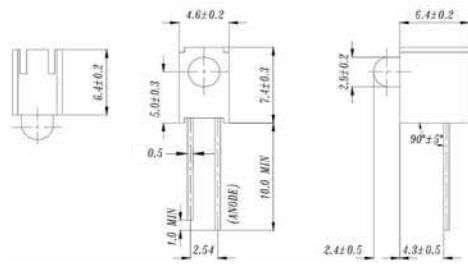
UNIT : mm



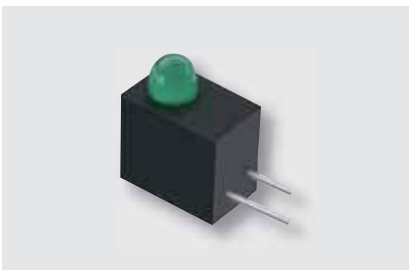
| Product | Size (mm) | Color | Lens Type | λ_d (nm)/CIE(x,y) | Resin Color | I_v (Min/Typ) (mcd) | V_F (Typ/Max) (V) | Viewing Angle (°) |
|---------------|-----------|--------------------------|-----------|---------------------------|----------------|-----------------------|---------------------|-------------------|
| EAAAY03SLARA0 | 3 | ● Brilliant Red | Round | 624 | Color Diffused | 63 / 120 | 2.0 / 2.4 | 60 |
| EAAAY03SLAGA0 | 3 | ● Brilliant Yellow Green | Round | 573 | Color Diffused | 16 / 32 | 2.0 / 2.4 | 60 |
| EAAAY03SLAYA0 | 3 | ● Brilliant Yellow | Round | 589 | Color Diffused | 50 / 100 | 2.0 / 2.4 | 60 |
| EAAAY03SLABA0 | 3 | ● Blue | Round | 470 | Water clear | 250 / 500 | 3.3 / 3.7 | 30 |



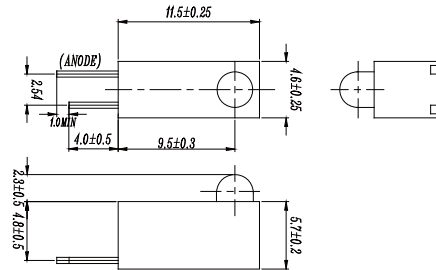
UNIT : mm



| Product | Size (mm) | Color | Lens Type | λ_d (nm)/CIE(x,y) | Resin Color | I_v (Min/Typ) (mcd) | V_F (Typ/Max) (V) | Viewing Angle (°) |
|---------------|-----------|--------------------------|-----------|---------------------------|----------------|-----------------------|---------------------|-------------------|
| EAAAY03SLBBA0 | 3 | ● Blue | Round | 470 | Color Diffused | 160 / 250 | 3.4 / 4.0 | 35 |
| EAAAY03SLBRA0 | 3 | ● Brilliant Red | Round | 624 | Color Diffused | 63 / 120 | 2.0 / 2.4 | 60 |
| EAAAY03SLBGA0 | 3 | ● Brilliant Yellow Green | Round | 573 | Color Diffused | 25 / 50 | 2.0 / 2.4 | 60 |
| EAAAY03SLBYA0 | 3 | ● Brilliant Yellow | Round | 589 | Color Diffused | 50 / 100 | 2.0 / 2.4 | 60 |
| EAAAY03SLBAA0 | 3 | ● Brilliant Orange | Round | 605 | Color Diffused | 63 / 125 | 2.0 / 2.4 | 60 |
| EAAAY03SLBGA1 | 3 | ● Brilliant Green | Round | 525 | Color Diffused | 630 / 1250 | 3.3 / 3.7 | 40 |



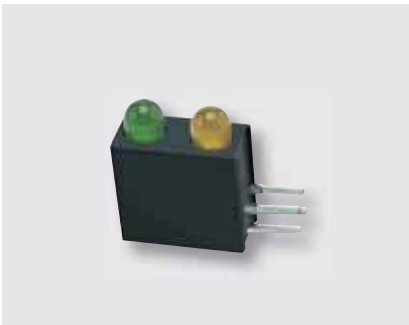
UNIT : mm



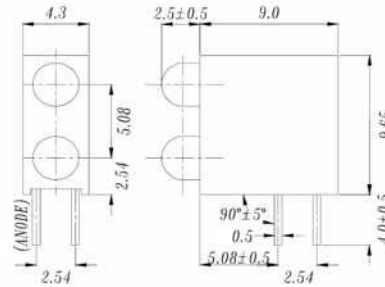
| Product | Size (mm) | Color | Lens Type | λ_d (nm)/CIE(x,y) | Resin Color | I_v (Min/Typ) (mcd) | V_F (Typ/Max) (V) | Viewing Angle (°) |
|---------------|-----------|--------------------------|-----------|---------------------------|----------------|-----------------------|---------------------|-------------------|
| EAAAY03SLCGA0 | 3 | ● Brilliant Yellow Green | Round | 573 | Color Diffused | 25 / 50 | 2.0 / 2.4 | 60 |
| EAAAY03SLCRA0 | 3 | ● Brilliant Red | Round | 624 | Color Diffused | 63 / 125 | 2.0 / 2.4 | 60 |
| EAAAY03SLCYA0 | 3 | ● Brilliant Yellow | Round | 589 | Color Diffused | 40 / 80 | 2.0 / 2.4 | 60 |
| EAAAY03SLCBA0 | 3 | ● Blue | Round | 470 | Color Diffused | 400 / 800 | 3.3 / 3.7 | 30 |

LED Lamps

LED Lamps | 3mm Assembly LED

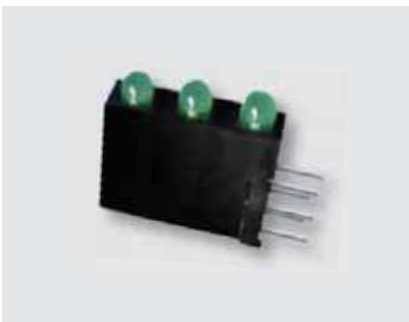


UNIT : mm

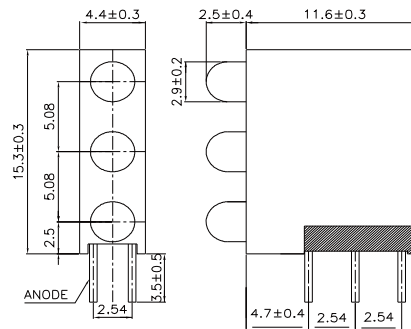


| Product | Size (mm) | Color | Lens Type | λ_d (nm)/ CIE(x,y) | Resin Color | I_V (Min/Typ) (mcd) | V_F (Typ/Max) (V) | Viewing Angle (°) |
|----------------|-----------|--|-----------|----------------------------|----------------|-----------------------|------------------------|-------------------|
| EAAAY03BLARRA0 | 3 | ● Brilliant Red | Round | 624 | Color Diffused | 10 / 25 | 2.0 / 2.4 | 60 |
| EAAAY03BLAGGA0 | 3 | ● Brilliant Yellow Green | Round | 573 | Color Diffused | 25 / 50 | 2.0 / 2.4 | 60 |
| EAAAY03BLAYYA0 | 3 | ● Brilliant Yellow | Round | 589 | Color Diffused | 16 / 32 | 2.0 / 2.4 | 60 |
| EAAAY03BLARGA0 | 3 | ● Brilliant Red
● Brilliant Yellow Green | Round | 624 / 573 | Color Diffused | 40 / 80
25 / 50 | 2.0 / 2.4
2.0 / 2.4 | 60 / 60 |
| EAAAY03BLAGYA0 | 3 | ● Brilliant Yellow Green
● Brilliant Yellow | Round | 573 / 589 | Color Diffused | 25 / 50
40 / 80 | 2.0 / 2.4
2.0 / 2.4 | 60 / 60 |

LED Lamps

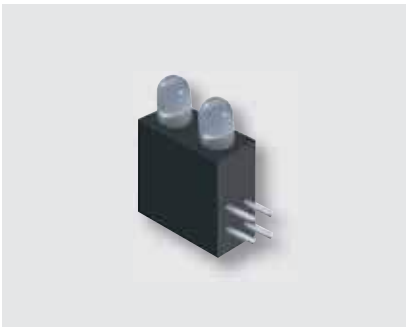


UNIT : mm

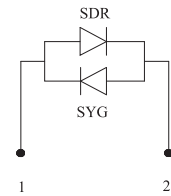
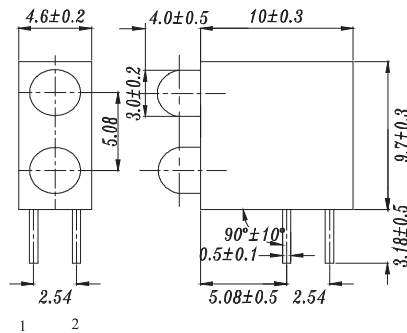


| Product | Size (mm) | Color | Lens Type | λ_d (nm)/ CIE(x,y) | Resin Color | I_V (Min/Typ) (mcd) | V_F (Typ/Max) (V) | Viewing Angle (°) |
|-----------------|-----------|--------------------------|-----------|----------------------------|----------------|-----------------------|---------------------|-------------------|
| EAAAY03TLAGGA0 | 3 | ● Brilliant Yellow Green | Round | 573 | Color Diffused | 25 / 50 | 2.0 / 2.4 | 60 |
| EAAAY03TLARRRA0 | 3 | ● Brilliant Red | Round | 624 | Color Diffused | 63 / 125 | 2.0 / 2.4 | 60 |
| EAAAY03TLAYYA0 | 3 | ● Brilliant Yellow | Round | 589 | Color Diffused | 63 / 125 | 2.0 / 2.4 | 60 |

LED Lamps | 3mm Assembly LED



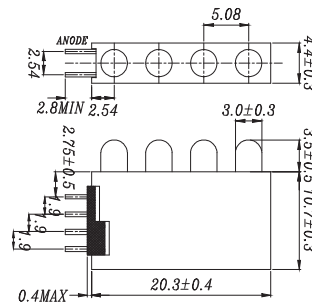
UNIT : mm



| Product | Size (mm) | Color | Lens Type | λ_d (nm)/CIE(x,y) | Resin Color | I_v (Min/Typ) (mcd) | V_F (Typ/Max) (V) | Viewing Angle (°) |
|--------------|-----------|---|-----------|---------------------------|----------------|-----------------------|------------------------|-------------------|
| EAA03BLBGRA0 | 3 | ● Brilliant Yellow Green
● Deep Red | Round | 573 / 639 | White Diffused | 16 / 32
25 / 50 | 2.0 / 2.4
2.0 / 2.4 | 50 |
| EAA03BLBRGA0 | 3 | ● Brilliant Red
● Brilliant Yellow Green | Round | 624/573 | White Diffused | 16 / 32
10 / 20 | 2.0 / 2.4
2.0 / 2.4 | 70 |
| EAA03BLBGA0 | 3 | ● Brilliant Yellow Green | Round | 573 | Color Diffused | 25 / 50 | 2.0 / 2.4 | 50 |
| EAA03BLBRYA0 | 3 | ● Deep Red
● Brilliant Yellow Green | Round | 639/573 | Color Diffused | 40 / 80
25 / 50 | 2.0 / 2.4
2.0 / 2.4 | 60 |

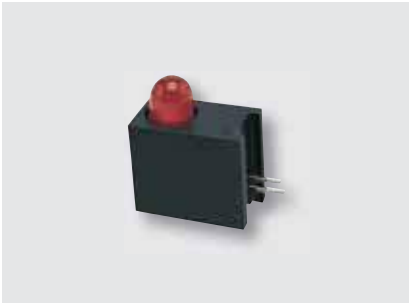


UNIT : mm

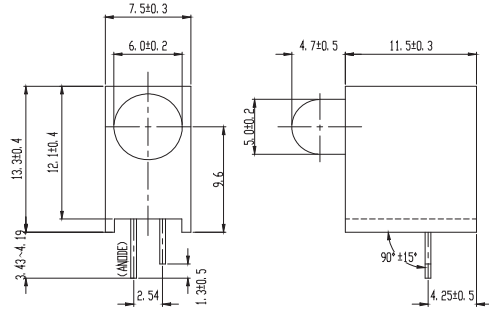


| Product | Size (mm) | Color | Lens Type | λ_d (nm)/CIE(x,y) | Resin Color | I_v (Min/Typ) (mcd) | V_F (Typ/Max) (V) | Viewing Angle (°) |
|----------------|-----------|--|-----------|---------------------------|----------------|-----------------------|------------------------|-------------------|
| EAA03QLAGGGGA0 | 3 | ● Brilliant Yellow Green | Round | 573 | Color Diffused | 16 / 32 | 2.0 / 2.4 | 60 |
| EAA03QLAGRRRA0 | 3 | ● Brilliant Yellow Green
● Brilliant Red | Round | 573/624 | Color Diffused | 25 / 50
63 / 125 | 2.0 / 2.4
2.0 / 2.4 | 60 |
| EAA03QLAGGYA0 | 3 | ● Brilliant Yellow Green
● Brilliant Yellow | Round | 573/589 | Color Diffused | 2.5 / 10
1.6 / 4 | 2.0 / 2.4
2.0 / 2.4 | 60 |
| EAA03QLABBBBA0 | 3 | ● Blue | Round | 470 | White Diffused | 63 / 125 | 3.3 / 3.7 | 60 |
| EAA03QLARRRRA0 | 3 | ● Brilliant Red | Round | 624 | Color Diffused | 40 / 63 | 2.0 / 2.4 | 60 |
| EAA03QLAYYYA0 | 3 | ● Brilliant Yellow | Round | 589 | Color Diffused | 50 / 100 | 2.0 / 2.4 | 60 |
| EAA03QLA4-RBA0 | 3 | ● Brilliant Red
● Blue | Round | 624 / 470 | White Diffused | 63 / 125
40 / 80 | 2.7 / 3.0
2.7 / 3.0 | 100 |
| EAA03QLA4-RYA0 | 3 | ● Brilliant Red
● Brilliant Yellow Green | Round | 624 / 573 | White Diffused | 25 / 16
50 / 32 | 2.0 / 2.4
2.0 / 2.4 | 60 |

LED Lamps | 5mm Assembly LED



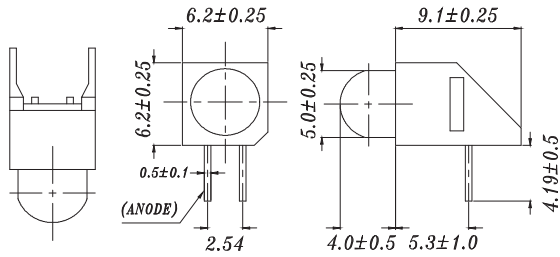
UNIT : mm



| Product | Size (mm) | Color | Lens Type | λ_d (nm)/CIE(x,y) | Resin Color | I_v (Min/Typ) (mcd) | V_F (Typ/Max) (V) | Viewing Angle (°) |
|---------------|-----------|--------------------------|-----------|---------------------------|----------------|-----------------------|---------------------|-------------------|
| EAAAY05SLBRA0 | 5 | ● Brilliant Red | Round | 624 | Color Diffused | 100 / 200 | 2.0 / 2.4 | 30 |
| EAAAY05SLBGA0 | 5 | ● Brilliant Yellow Green | Round | 573 | Color Diffused | 40 / 80 | 2.0 / 2.4 | 45 |
| EAAAY05SLBYA0 | 5 | ● Brilliant Yellow | Round | 589 | Color Diffused | 100 / 200 | 2.0 / 2.4 | 30 |
| EAAAY05SLBBA0 | 5 | ● Blue | Round | 470 | Color Diffused | 630 / 1250 | 3.3 / 3.7 | 60 |



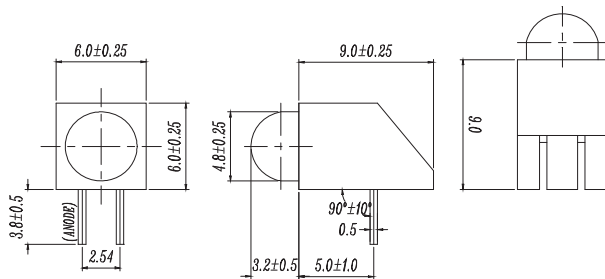
UNIT : mm



| Product | Size (mm) | Color | Lens Type | λ_d (nm)/CIE(x,y) | Resin Color | I_v (Min/Typ) (mcd) | V_F (Typ/Max) (V) | Viewing Angle (°) |
|---------------|-----------|--------------------------|-----------|---------------------------|----------------|-----------------------|---------------------|-------------------|
| EAAAY05SLCRA0 | 5 | ● Brilliant Red | Round | 624 | Color Diffused | 100 / 200 | 2.0 / 2.4 | 30 |
| EAAAY05SLCGA0 | 5 | ● Brilliant Yellow Green | Round | 573 | Color Diffused | 40 / 80 | 2.0 / 2.4 | 45 |
| EAAAY05SLCYA0 | 5 | ● Brilliant Yellow | Round | 589 | Color Diffused | 100 / 200 | 2.0 / 2.4 | 30 |
| EAAAY05SLCBA0 | 5 | ● Blue | Round | 470 | Color Diffused | 200 / 400 | 3.3 / 3.7 | 25 |



UNIT : mm

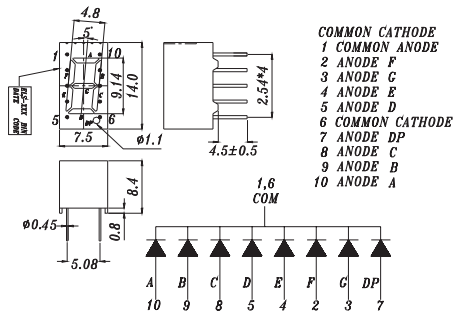


| Product | Size (mm) | Color | Lens Type | λ_d (nm)/CIE(x,y) | Resin Color | I_v (Min/Typ) (mcd) | V_F (Typ/Max) (V) | Viewing Angle (°) |
|---------------|-----------|--------------------------|-----------|---------------------------|----------------|-----------------------|---------------------|-------------------|
| EAAAY05SLDRA0 | 4.7 | ● Brilliant Red | Round | 624 | Color Diffused | 100 / 250 | 2.0 / 2.4 | 40 |
| EAAAY05SLDGA0 | 4.7 | ● Brilliant Yellow Green | Round | 573 | Water clear | 160 / 320 | 2.0 / 2.4 | 20 |
| EAAAY05SLDYA0 | 4.7 | ● Brilliant Yellow | Round | 589 | Color Diffused | 50 / 120 | 2.0 / 2.4 | 40 |
| EAAAY05SLDGA1 | 4.7 | ● Brilliant Yellow Green | Round | 573 | Color Diffused | 40 / 80 | 2.0 / 2.4 | 80 |
| EAAAY05SLDRA1 | 4.7 | ● Deep Red | Round | 639 | Color Diffused | 63 / 100 | 2.0 / 2.4 | 50 |
| EAAAY05SLDBA0 | 4.7 | ● Blue | Round | 470 | Color Diffused | 400 / 800 | 3.3 / 3.7 | 20 |

LED Digital Displays | Chip On Board Display | Single Digit Display



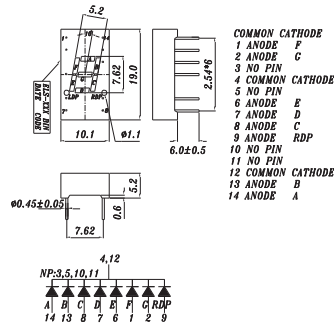
UNIT : mm



| Product | Segment Height mm (inch) | Color | Segment Width | CC/CA | λ_d (nm) | Resin Color | Face Color | I_v (Min/Typ) (mcd) |
|-------------|--------------------------|--------------------------|---------------|-------|------------------|-------------|------------|-----------------------|
| EADCS036RA1 | 9.14 (0.3) | ● Brilliant Red | 4.8 | CC | 624 | White | Gray | 4.0 / 8.0 |
| EADCS036GA1 | 9.14 (0.3) | ● Brilliant Yellow Green | 4.8 | CC | 573 | White | Gray | 2.0 / 3.2 |



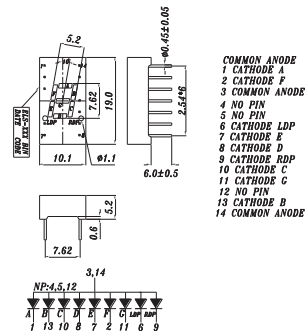
UNIT : mm



| Product | Segment Height mm (inch) | Color | Segment Width | CC/CA | λ_d (nm) | Resin Color | Face Color | I_v (Min/Typ) (mcd) |
|-------------|--------------------------|--------------------------|---------------|-------|------------------|-------------|------------|-----------------------|
| EADCS030RA1 | 7.62 (0.3) | ● Brilliant Red | 5.2 | CC | 624 | White | Gray | 5.6 / 11.0 |
| EADCS030OA1 | 7.62 (0.3) | ● Reddish Orange | 5.2 | CC | 615 | White | Gray | 7.8 / 17.6 |
| EADCS030GA1 | 7.62 (0.3) | ● Brilliant Yellow Green | 5.2 | CC | 573 | White | Gray | 2.8 / 6.4 |



UNIT : mm

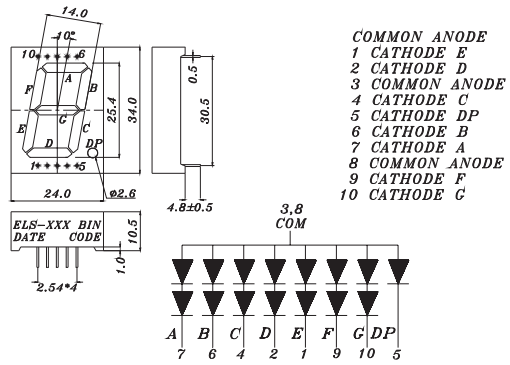


| Product | Segment Height mm (Inch) | Color | Segment Width | CC/CA | λ_d (nm) | Resin Color | Face Color | I_v (Min/Typ) (mcd) |
|-------------|--------------------------|------------------|---------------|-------|------------------|-------------|------------|-----------------------|
| EADCS030RA2 | 7.62 (0.3) | ● Brilliant Red | 5.2 | CA | 624 | White | Gray | 5.6 / 11.0 |
| EADCS030OA2 | 7.62 (0.3) | ● Reddish Orange | 5.2 | CA | 615 | White | Gray | 7.8 / 17.6 |
| EADCS030GA2 | 7.62 (0.3) | ● Green | 5.2 | CA | 573 | White | Gray | 2.0 / 4.5 |
| EADCS030BA2 | 7.62 (0.3) | ● Blue | 5.2 | CA | 470 | White | Gray | 7.8 / 17.6 |

LED Digital Displays | Chip On Board Display | Single Digit Display



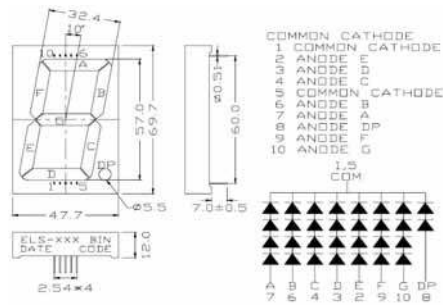
UNIT : mm



| Product | Segment Height mm (inch) | Color | Segment Width | CC/CA | λ_d (nm) | Resin Color | Face Color | I_v (Min/Typ) (mcd) |
|-------------|--------------------------|-----------------|---------------|-------|------------------|-------------|------------|-----------------------|
| EADCS100RA2 | 25.4 (1) | ● Brilliant Red | 14 | CA | 624 | White | Gray | 15 / 24 |



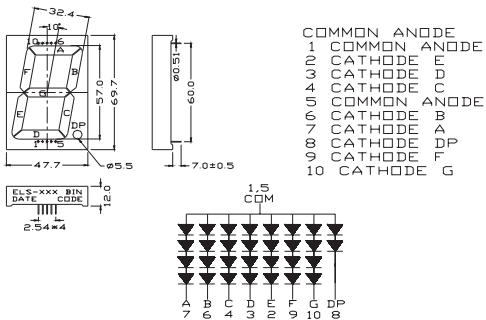
UNIT : mm



| Product | Segment Height mm (inch) | Color | Segment Width | CC/CA | λ_d (nm) | Resin Color | Face Color | I_v (Min/Typ) (mcd) |
|-------------|--------------------------|-----------------|---------------|-------|------------------|-------------|------------|-----------------------|
| EADCS224RA1 | 57 (2) | ● Brilliant Red | 32.4 | CC | 624 | White | Gray | 15 / 34 |



UNIT : mm

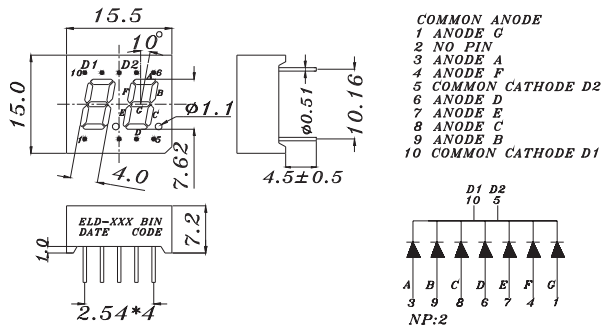


| Product | Segment Height mm (inch) | Color | Segment Width | CC/CA | λ_d (nm) | Resin Color | Face Color | I_v (Min/Typ) (mcd) |
|-------------|--------------------------|--------------------------|---------------|-------|------------------|-------------|------------|-----------------------|
| EADCS224RA2 | 57 (2) | ● Brilliant Red | 32.4 | CA | 624 | White | Gray | 15 / 34 |
| EADCS224OA1 | 57 (2) | ● Reddish Orange | 32.4 | CA | 615 | White | Gray | 30 / 67 |
| EADCS224GA2 | 57 (2) | ● Brilliant Yellow Green | 32.4 | CA | 573 | White | Gray | 5.6 / 12.5 |
| EADCS224BA2 | 57 (2) | ● Blue | 32.4 | CA | 470 | White | Gray | 15 / 34 |

LED Digital Displays | Chip On Board Display | Dual Digit Display



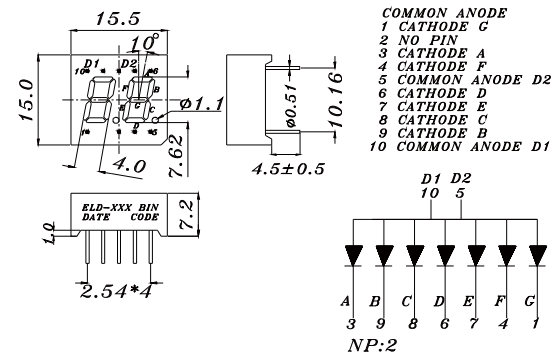
UNIT : mm



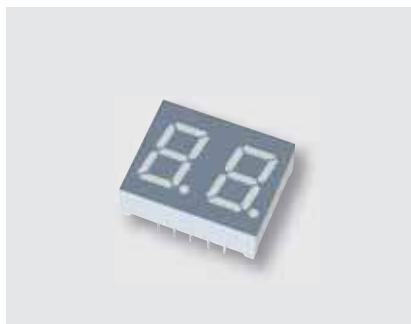
| Product | Segment Height mm (inch) | Color | Segment Width | CC/CA | λ_d (nm) | Resin Color | Face Color | I_v (Min/Typ) (mcd) |
|------------|--------------------------|-----------------|---------------|-------|------------------|-------------|------------|-----------------------|
| EADC030RA1 | 7.62 (0.3) | ● Brilliant Red | 4 | CC | 624 | White | Gray | 4.0 / 6.4 |



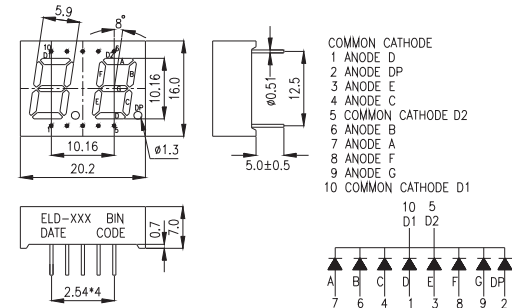
UNIT : mm



| Product | Segment Height mm (inch) | Color | Segment Width | CC/CA | λ_d (nm) | Resin Color | Face Color | I_v (Min/Typ) (mcd) |
|------------|--------------------------|-----------------|---------------|-------|------------------|-------------|------------|-----------------------|
| EADC030RA2 | 7.62 (0.3) | ● Brilliant Red | 4 | CA | 624 | White | Gray | 4.0 / 6.4 |



UNIT : mm

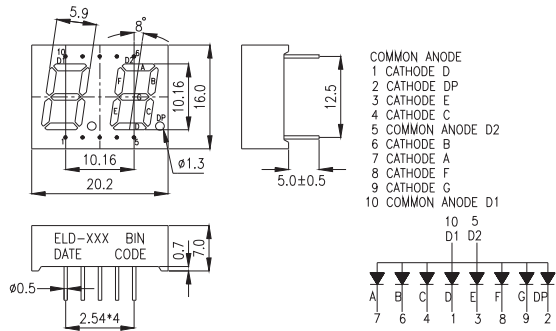


| Product | Segment Height mm (inch) | Color | Segment Width | CC/CA | λ_d (nm) | Resin Color | Face Color | I_v (Min/Typ) (mcd) |
|------------|--------------------------|--------------------------|---------------|-------|------------------|-------------|------------|-----------------------|
| EADC040RA1 | 10.16 (0.4) | ● Brilliant Red | 5.9 | CC | 624 | White | Gray | 7.8 / 15.0 |
| EADC040OA1 | 10.16 (0.4) | ● Reddish Orange | 5.9 | CC | 615 | White | Gray | 11.0 / 24.0 |
| EADC040GA1 | 10.16 (0.4) | ● Brilliant Yellow Green | 5.9 | CC | 573 | White | Gray | 2.0 / 3.2 |

LED Digital Displays | Chip On Board Display | Dual Digit Display



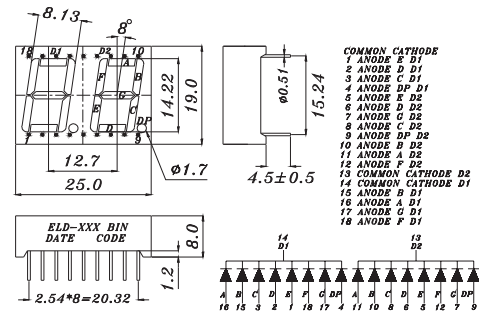
UNIT : mm



| Product | Segment Height mm (inch) | Color | Segment Width | CC/CA | λ_d (nm) | Resin Color | Face Color | I_v (Min/Typ) (mcd) |
|-------------|--------------------------|--------------------------|---------------|-------|------------------|-------------|------------|-----------------------|
| EADCD040RA2 | 10.16 (0.4) | ● Brilliant Red | 5.9 | CA | 624 | White | Black | 7.8 / 15 |
| EADCD040OA2 | 10.16 (0.4) | ● Reddish Orange | 5.9 | CA | 615 | White | Gray | 11 / 24 |
| EADCD040YA2 | 10.16 (0.4) | ● Brilliant Yellow | 5.9 | CA | 605 | White | Black | 5.6 / 12.5 |
| EADCD040GA2 | 10.16 (0.4) | ● Brilliant Yellow Green | 5.9 | CA | 573 | White | Gray | 2 / 3.2 |



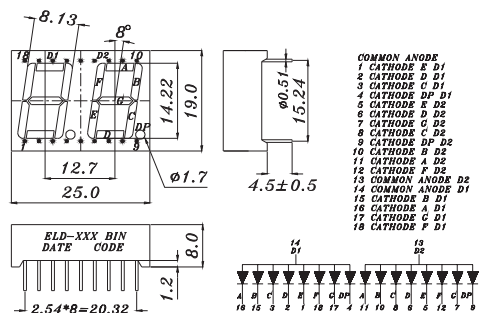
UNIT : mm



| Product | Segment Height mm (inch) | Color | Segment Width | CC/CA | λ_d (nm) | Resin Color | Face Color | I_v (Min/Typ) (mcd) |
|-------------|--------------------------|------------------|---------------|-------|------------------|-------------|------------|-----------------------|
| EADCD056RA1 | 14.22 (0.5) | ● Brilliant Red | 8.13 | CC | 624 | White | Black | 7.8 / 15 |
| EADCD056OA1 | 14.22 (0.5) | ● Reddish Orange | 8.13 | CC | 615 | White | Grey | 7.8 / 15 |



UNIT : mm

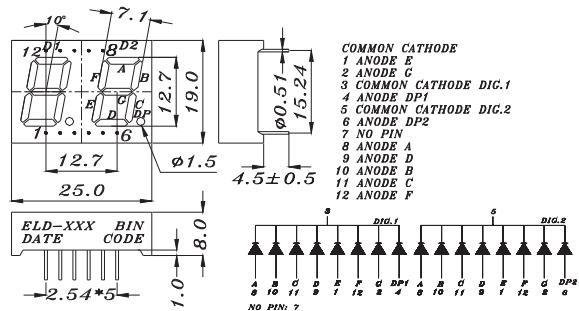


| Product | Segment Height mm (inch) | Color | Segment Width | CC/CA | λ_d (nm) | Resin Color | Face Color | I_v (Min/Typ) (mcd) |
|-------------|--------------------------|--------------------------|---------------|-------|------------------|-------------|------------|-----------------------|
| EADCD056RA6 | 14.22 (0.5) | ● Brilliant Red | 8.13 | CA | 624 | White | Black | 7.8 / 15 |
| EADCD056BA2 | 14.22 (0.5) | ● Blue | 8.13 | CA | 470 | White | Gray | 4 / 6.4 |
| EADCD056RA2 | 14.22 (0.5) | ● Deep Red | 8.13 | CA | 639 | Red | Black | 4 / 8.9 |
| EADCD056RA4 | 14.22 (0.5) | ● Brilliant Red | 8.13 | CA | 624 | White | Gray | 1.5 / 7.8 |
| EADCD056GA2 | 14.22 (0.5) | ● Brilliant Yellow Green | 8.13 | CA | 573 | Green | Black | 2.8 / 6.4 |
| EADCD056GA4 | 14.22 (0.5) | ● Brilliant Yellow Green | 8.13 | CA | 573 | White | Gray | 2.8 / 6.4 |
| EADCD056GA6 | 14.22 (0.5) | ● Brilliant Yellow Green | 8.13 | CA | 573 | White | Black | 2.8 / 6.4 |
| EADCD056GA8 | 14.22 (0.5) | ● Brilliant Yellow Green | 8.13 | CA | 573 | Green | Black | 1.7 / 2.4 |

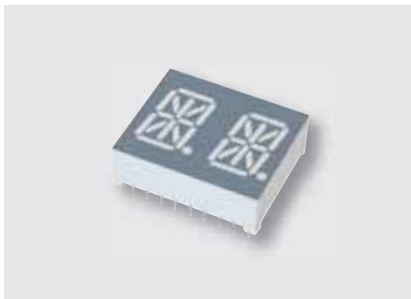
LED Digital Displays | Chip On Board Display | Dual Digit Display



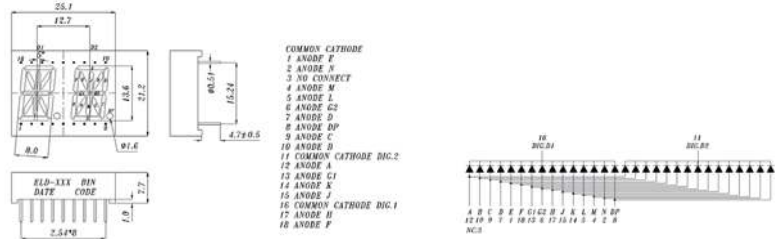
UNIT : mm



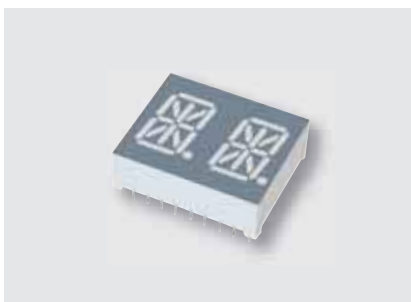
| Product | Segement Height mm (inch) | Color | Segement Width | CC/CA | λ_d (nm) | Resin Color | Face Color | I_v (Min/Typ) (mcd) |
|-------------|---------------------------|-----------------|----------------|-------|------------------|-------------|------------|-----------------------|
| EADCD050RA1 | 12.7 (0.5) | ● Brilliant Red | 7.1 | CC | 624 | White | Gray | 7.8 / 15 |



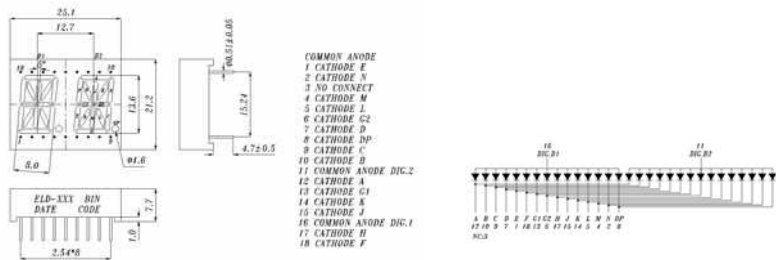
UNIT : mm



| Product | Segement Height mm (inch) | Color | Segement Width | CC/CA | λ_d (nm) | Resin Color | Face Color | I_v (Min/Typ) (mcd) |
|-------------|---------------------------|--------------------------|----------------|-------|------------------|-------------|------------|-----------------------|
| EADCD054RA1 | 13.6 (0.5) | ● Brilliant Red | 8 | CC | 624 | White | Gray | 7.8 / 12.5 |
| EADCD054GA1 | 13.6 (0.5) | ● Brilliant Yellow Green | 8 | CC | 573 | White | Gray | 2.8 / 4.5 |



UNIT : mm

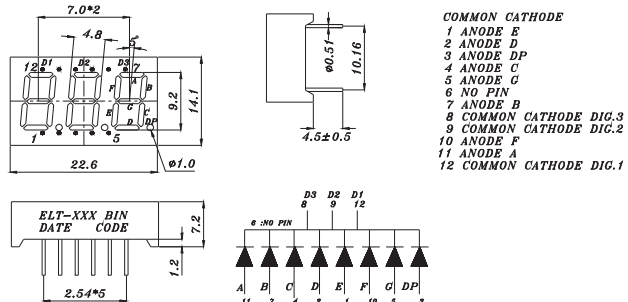


| Product | Segement Height mm (inch) | Color | Segement Width | CC/CA | λ_d (nm) | Resin Color | Face Color | I_v (Min/Typ) (mcd) |
|-------------|---------------------------|------------------|----------------|-------|------------------|-------------|------------|-----------------------|
| EADCD054RA2 | 13.6 (0.5) | ● Brilliant Red | 8 | CA | 624 | White | Gray | 7.8 / 12.5 |
| EADCD054OA0 | 13.6 (0.5) | ● Reddish Orange | 8 | CA | 615 | White | Gray | 5.6 / 12.5 |
| EADCD054OA1 | 13.6 (0.5) | ● Reddish Orange | 8 | CA | 615 | White | Gray | 1.7 / 2.4 |

LED Digital Displays | Chip On Board Display | Three Digit Display



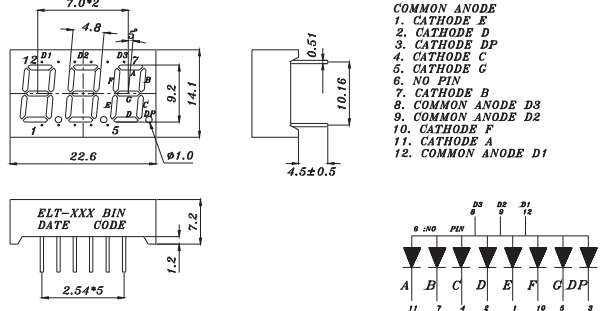
UNIT : mm



| Product | Segment Height mm (inch) | Color | Segment Width | CC/CA | λ_d (nm) | Resin Color | Face Color | I_v (Min/Typ) (mcd) |
|-------------|--------------------------|--------------------------|---------------|-------|------------------|-------------|------------|-----------------------|
| EADCT036GA1 | 9.2 (0.3) | ● Brilliant Yellow Green | 4.8 | CC | 573 | White | Gray | 1.4 / 3.2 |



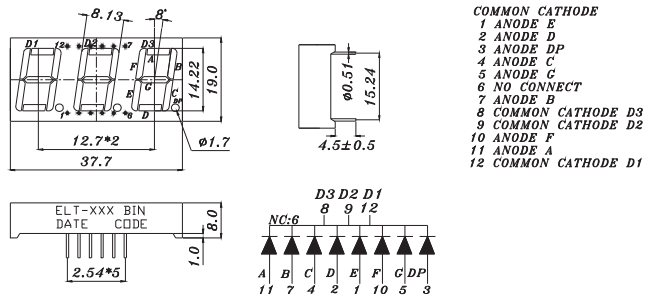
UNIT : mm



| Product | Segment Height mm (inch) | Color | Segment Width | CC/CA | λ_d (nm) | Resin Color | Face Color | I_v (Min/Typ) (mcd) |
|-------------|--------------------------|--------------------------|---------------|-------|------------------|-------------|------------|-----------------------|
| EADCT036RA2 | 9.2 (0.3) | ● Brilliant Red | 4.8 | CA | 624 | White | Gray | 5.6 / 11 |
| EADCT036GA2 | 9.2 (0.3) | ● Brilliant Yellow Green | 4.8 | CA | 573 | White | Gray | 1.4 / 3.2 |



UNIT : mm



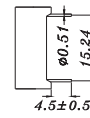
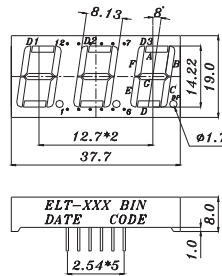
| Product | Segment Height mm (inch) | Color | Segment Width | CC/CA | λ_d (nm) | Resin Color | Face Color | I_v (Min/Typ) (mcd) |
|-------------|--------------------------|--------------------------|---------------|-------|------------------|-------------|------------|-----------------------|
| EADCT056RA1 | 14.22 (0.5) | ● Brilliant Red | 8.13 | CC | 624 | White | Gray | 7.8 / 17.6 |
| EADCT056GA1 | 14.22 (0.5) | ● Brilliant Yellow Green | 8.13 | CC | 573 | White | Gray | 2.8 / 4.5 |
| EADCT056AA1 | 14.22 (0.5) | ● Brilliant Yellow | 8.13 | CC | 605 | White | Gray | 5.6 / 12.5 |

LED Digital Displays

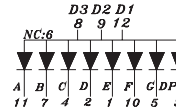
LED Digital Displays | Chip On Board Display | Three Digit Display



UNIT : mm



- COMMON ANODE**
 1 CATHODE E
 2 CATHODE D
 3 CATHODE DP
 4 CATHODE C
 5 CATHODE G
 6 NO CONNECT
 7 CATHODE B
 8 COMMON ANODE D3
 9 COMMON ANODE D2
 10 CATHODE F
 11 CATHODE A
 12 COMMON ANODE D1

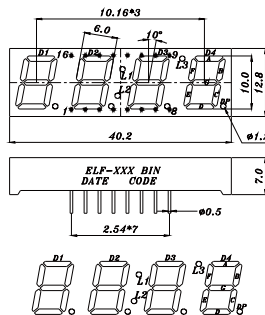


| Product | Segment Height mm (inch) | Color | Segment Width | CC/CA | λ_d (nm) | Resin Color | Face Color | I_v (Min/Typ) (mcd) |
|-------------|--------------------------|--------------------------|---------------|-------|------------------|-------------|------------|-----------------------|
| EADCT056RA2 | 14.22 (0.5) | ● Brilliant Red | 8.13 | CA | 624 | White | Gray | 7.8 / 17.6 |
| EADCT056GA2 | 14.22 (0.5) | ● Brilliant Yellow Green | 8.13 | CA | 573 | White | Gray | 2.8 / 4.5 |
| EADCT056AA2 | 14.22 (0.5) | ● Brilliant Yellow | 8.13 | CA | 605 | White | Gray | 5.6 / 12.5 |
| EADCT056BA2 | 14.22 (0.5) | ● Blue | 8.13 | CA | 470 | White | Black | 7.8 / 17.6 |

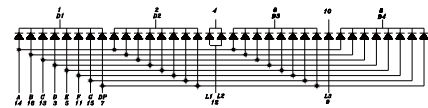
LED Digital Display | Chip On Board Display | Four Digit Display



UNIT : mm



- COMMON CATHODE**
 1 COMMON CATHODE D1
 2 COMMON CATHODE D2
 3 ANODE D
 4 COMMON CATHODE L1,L2
 5 ANODE E
 6 COMMON CATHODE D3
 7 ANODE DP
 8 COMMON CATHODE D4
 9 ANODE L3
 10 CATHODE L3
 11 ANODE F
 12 ANODE L1,L2
 13 ANODE C
 14 ANODE A
 15 ANODE G
 16 ANODE B

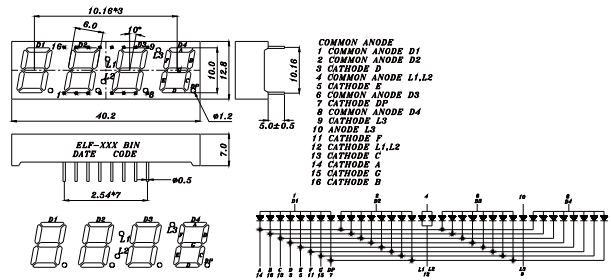


| Product | Segment Height mm (inch) | Color | Segment Width | CC/CA | λ_d (nm) | Resin Color | Face Color | I_v (Min/Typ) (mcd) |
|-------------|--------------------------|-----------------|---------------|-------|------------------|-------------|------------|-----------------------|
| EADCF040RA1 | 10 (0.4) | ● Brilliant Red | 6 | CC | 624 | White | Gray | 5.6 / 8.9 |

LED Digital Displays | Chip On Board Display | Four Digit Display



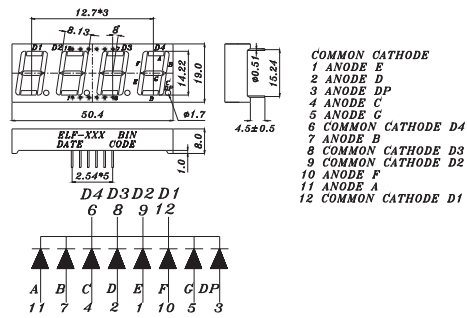
UNIT : mm



| Product | Segment Height mm (inch) | Color | Segment Width | CC/CA | λ_d (nm) | Resin Color | Face Color | I_v (Min/Typ) (mcd) |
|-------------|--------------------------|--------------------------|---------------|-------|------------------|-------------|------------|-----------------------|
| EADCF040GA2 | 10 (0.4) | ● Brilliant Yellow Green | 6 | CA | 573 | White | Gray | 4 / 8.9 |
| EADCF040RA2 | 10 (0.4) | ● Brilliant Red | 6 | CA | 624 | White | Gray | 5.6 / 12.5 |
| EADCF040RA4 | 10 (0.4) | ● Brilliant Red | 6 | CA | 631 | White | Gray | 5.6 / 8.9 |



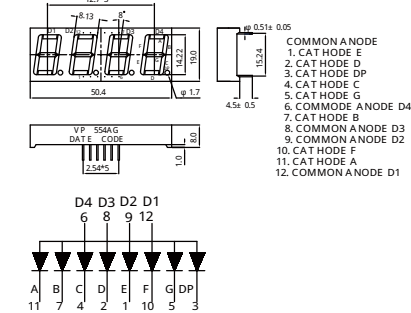
UNIT : mm



| Product | Segment Height mm (inch) | Color | Segment Width | CC/CA | λ_d (nm) | Resin Color | Face Color | I_v (Min/Typ) (mcd) |
|-------------|--------------------------|--------------------------|---------------|-------|------------------|-------------|------------|-----------------------|
| EADCF056RA1 | 14.22 (0.5) | ● Brilliant Red | 8.13 | CC | 624 | White | Gray | 7.8 / 15 |
| EADCF056GA1 | 14.22 (0.5) | ● Brilliant Yellow Green | 8.13 | CC | 573 | White | Gray | 4 / 4.5 |

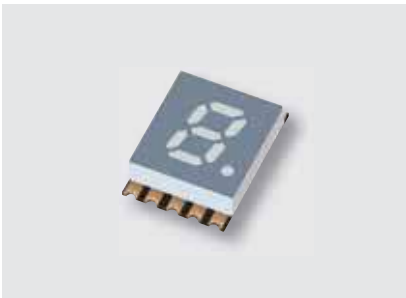


UNIT : mm

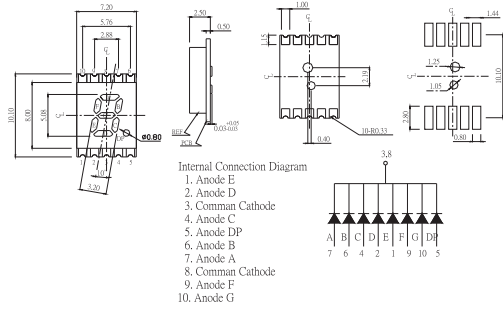


| Product | Segment Height mm (inch) | Color | Segment Width | CC/CA | λ_d (nm) | Resin Color | Face Color | I_v (Min/Typ) (mcd) |
|-------------|--------------------------|--------------------------|---------------|-------|------------------|-------------|------------|-----------------------|
| EADCF056RA2 | 14.22 (0.5) | ● Brilliant Red | 8.13 | CA | 624 | White | Gray | 7.8 / 15 |
| EADCF056GA2 | 14.22 (0.5) | ● Brilliant Yellow Green | 8.13 | CA | 573 | White | Gray | 2.8 / 4.5 |

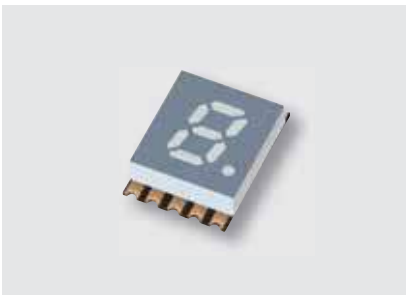
LED Digital Displays | SMD Display | Single Digit Display



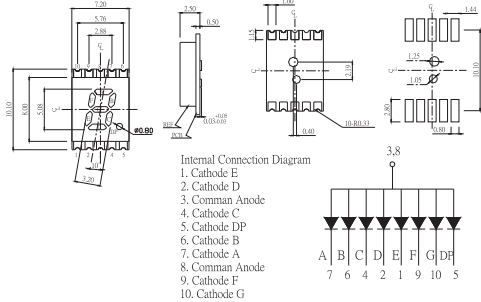
UNIT : mm



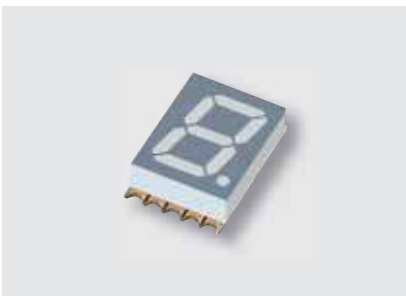
| Product | Segment Height mm (inch) | Color | Segment Width | CC/CA | λ_d (nm) | Resin Color | Face Color | I_v (Min/Typ) (mcd) |
|-------------|--------------------------|--------------------------|---------------|-------|------------------|-------------|------------|-----------------------|
| EADSS020RA1 | 5.08 (0.2) | ● Brilliant Red | 3.2 | CC | 624 | White | Gray | 5.6 / 13.7 |
| EADSS020YA1 | 5.08 (0.2) | ● Brilliant Yellow | 3.2 | CC | 589 | White | Gray | 7.8 / 16.3 |
| EADSS020GA1 | 5.08 (0.2) | ● Brilliant Yellow Green | 3.2 | CC | 573 | White | Gray | 4 / 11.5 |



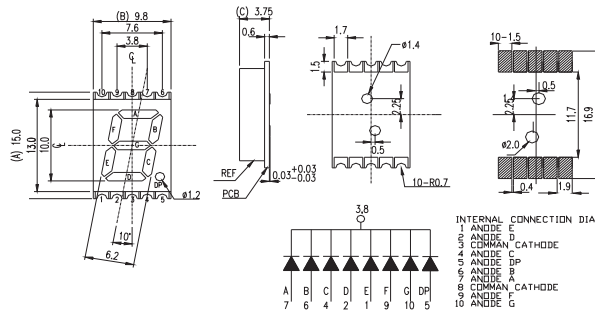
UNIT : mm



| Product | Segment Height mm (inch) | Color | Segment Width | CC/CA | λ_d (nm) | Resin Color | Face Color | I_v (Min/Typ) (mcd) |
|-------------|--------------------------|--------------------|---------------|-------|------------------|-------------|------------|-----------------------|
| EADSS020RA2 | 5.08 (0.2) | ● Brilliant Red | 3.2 | CA | 624 | White | Gray | 5.6 / 13.7 |
| EADSS020YA2 | 5.08 (0.2) | ● Brilliant Yellow | 3.2 | CA | 589 | White | Gray | 7.8 / 16.7 |

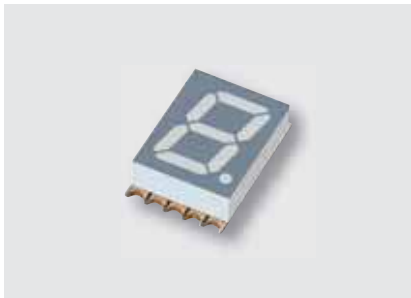


UNIT : mm

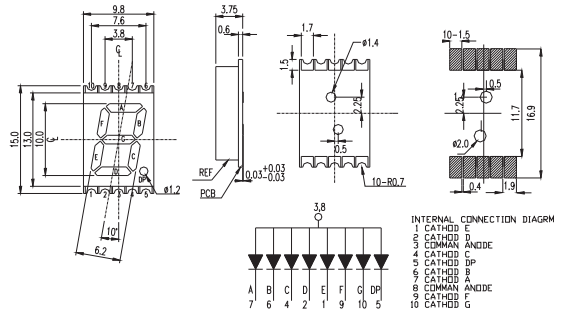


| Product | Segment Height mm (inch) | Color | Segment Width | CC/CA | λ_d (nm) | Resin Color | Face Color | I_v (Min/Typ) (mcd) |
|-------------|--------------------------|-----------------|---------------|-------|------------------|-------------|------------|-----------------------|
| EADSS040RA1 | 10 (0.4) | ● Brilliant Red | 6.2 | CC | 624 | White | Black | 7.8 / 16.5 |

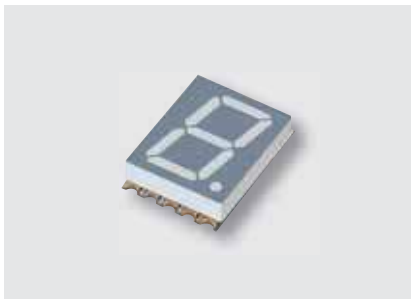
LED Digital Displays | SMD Display | Single Digit Display



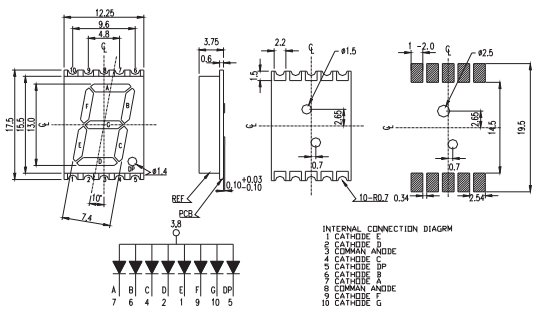
UNIT : mm



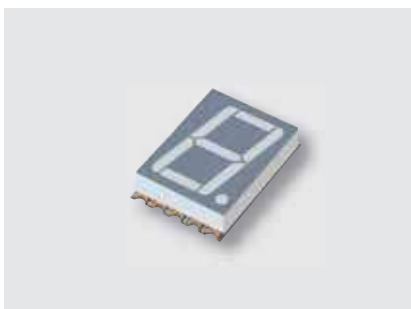
| Product | Segment Height
mm (inch) | Color | Segment Width | CC/CA | λ_d (nm) | Resin Color | Face Color | I_v
(Min/Typ)
(mcd) |
|-------------|-----------------------------|-----------------|---------------|-------|------------------|-------------|------------|-----------------------------|
| EADSS040RA2 | 10 (0.4) | ● Brilliant Red | 6.2 | CA | 624 | White | Gray | 7.8 / 16.4 |



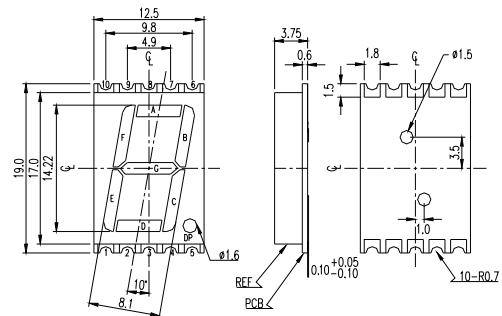
UNIT : mm



| Product | Segment Height
mm (inch) | Color | Segment Width | CC/CA | λ_d (nm) | Resin Color | Face Color | I_v
(Min/Typ)
(mcd) |
|-------------|-----------------------------|--------------------------|---------------|-------|------------------|-------------|------------|-----------------------------|
| EADSS050GA2 | 13.0 (0.5) | ● Brilliant Yellow Green | 7.4 | CA | 573 | White | Gray | 5.6 / 9.1 |



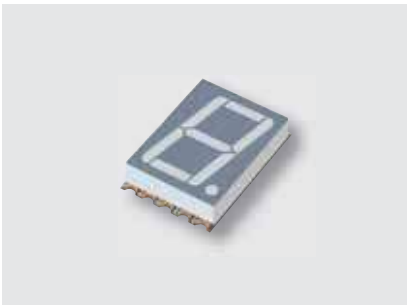
UNIT : mm



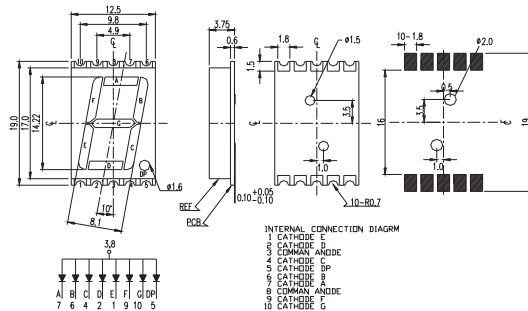
| Product | Segment Height
mm (inch) | Color | Segment Width | CC/CA | λ_d (nm) | Resin Color | Face Color | I_v
(Min/Typ)
(mcd) |
|-------------|-----------------------------|--------------------------|---------------|-------|------------------|-------------|------------|-----------------------------|
| EADSS056RA1 | 14.22 (0.5) | ● Brilliant Red | 8.1 | CC | 624 | White | Gray | 15 / 23 |
| EADSS056GA1 | 14.22 (0.5) | ● Brilliant Yellow Green | 8.1 | CC | 573 | White | Gray | 4 / 10.8 |

LED Digital Displays

LED Digital Displays | SMD Display | Single Digit Display

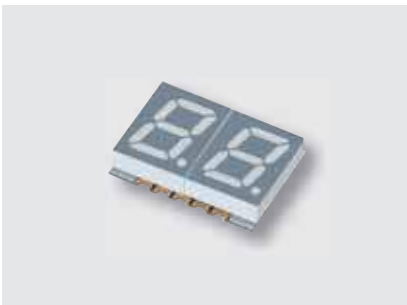


UNIT : mm

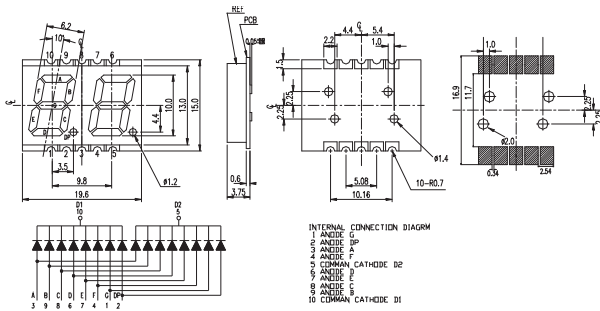


| Product | Segment Height mm (inch) | Color | Segment Width | CC/CA | λ_d (nm) | Resin Color | Face Color | I_v (Min/Typ) (mcd) |
|-------------|--------------------------|-----------------|---------------|-------|------------------|-------------|------------|-----------------------|
| EADSS056RA2 | 14.22 (0.5) | ● Brilliant Red | 8.1 | CA | 624 | White | Gray | 11 / 21.8 |
| EADSS056BA2 | 14.22 (0.5) | ● Blue | 8.1 | CA | 470 | White | Gray | 15 / 28.6 |

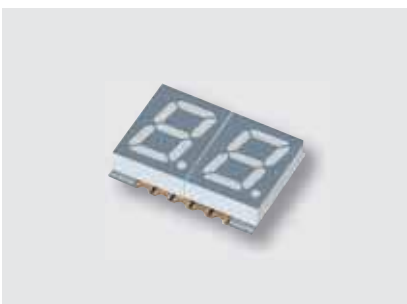
LED Digital Display | SMD Display | Dual Digit Display



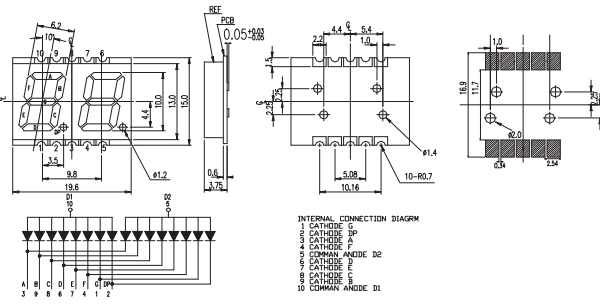
UNIT : mm



| Product | Segment Height mm (inch) | Color | Segment Width | CC/CA | λ_d (nm) | Resin Color | Face Color | I_v (Min/Typ) (mcd) |
|-------------|--------------------------|-----------------|---------------|-------|------------------|-------------|------------|-----------------------|
| EADSD040RA1 | 10 (0.4) | ● Brilliant Red | 6.2 | CC | 624 | White | Gray | 7.8 / 17.1 |

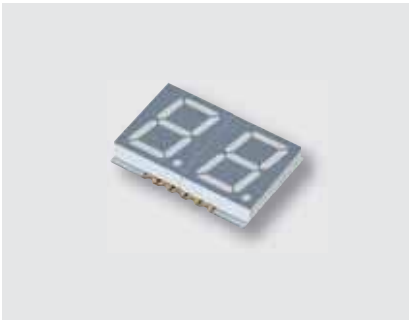


UNIT : mm

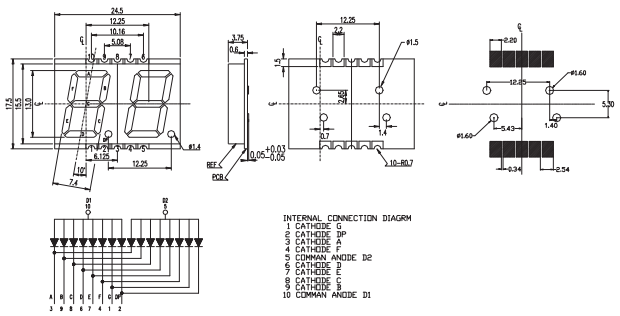


| Product | Segment Height mm (inch) | Color | Segment Width | CC/CA | λ_d (nm) | Resin Color | Face Color | I_v (Min/Typ) (mcd) |
|-------------|--------------------------|--------------------------|---------------|-------|------------------|-------------|------------|-----------------------|
| EADSD040RA2 | 10 (0.4) | ● Brilliant Red | 6.2 | CA | 624 | White | Gray | 7.8 / 16.2 |
| EADSD040GA2 | 10 (0.4) | ● Brilliant Yellow Green | 6.2 | CA | 573 | White | Gray | 5.6 / 10.2 |

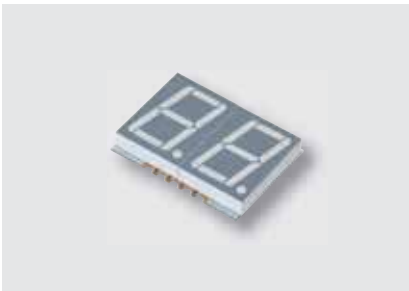
LED Digital Displays | SMD Display | Dual Digit Display



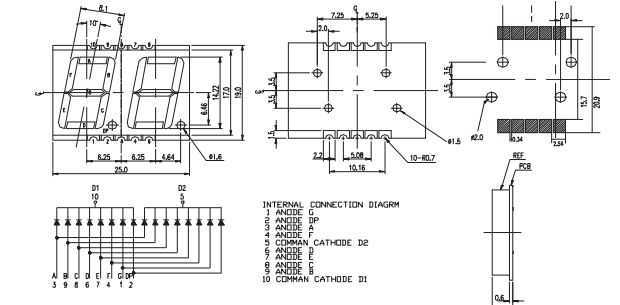
UNIT : mm



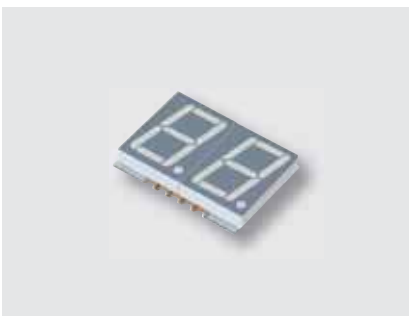
| Product | Segment Height
mm (inch) | Color | Segment Width | CC/CA | λ_d (nm) | Resin Color | Face Color | I_v
(Min/Typ)
(mcd) |
|-------------|-----------------------------|-----------------|---------------|-------|------------------|-------------|------------|-----------------------------|
| EADSD050RA2 | 13 (0.5) | ● Brilliant Red | 7.4 | CA | 624 | White | Gray | 7.8 / 15 |



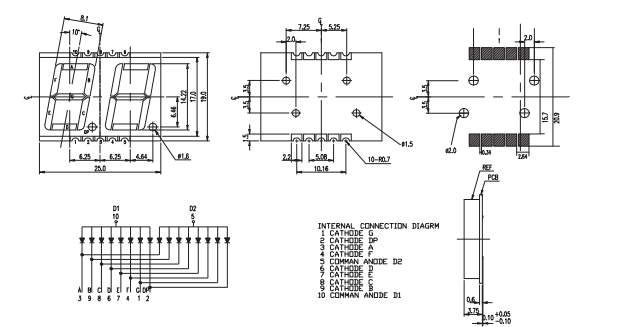
UNIT : mm



| Product | Segment Height
mm (inch) | Color | Segment Width | CC/CA | λ_d (nm) | Resin Color | Face Color | I_v
(Min/Typ)
(mcd) |
|-------------|-----------------------------|--------------------------|---------------|-------|------------------|-------------|------------|-----------------------------|
| EADSD056GA1 | 14.22 (0.5) | ● Brilliant Yellow Green | 8.1 | CC | 573 | White | Gray | 5.6 / 11.12 |



UNIT : mm

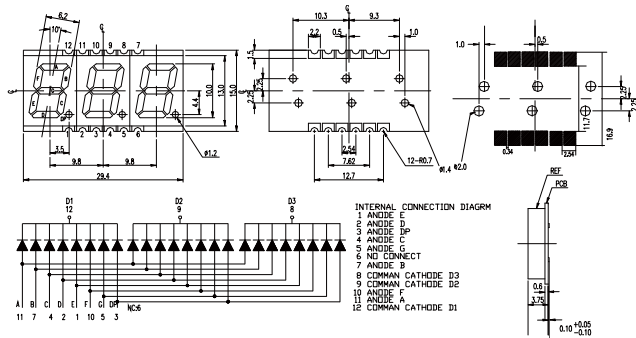


| Product | Segment Height
mm (inch) | Color | Segment Width | CC/CA | λ_d (nm) | Resin Color | Face Color | I_v
(Min/Typ)
(mcd) |
|-------------|-----------------------------|--------------------------|---------------|-------|------------------|-------------|------------|-----------------------------|
| EADSD056GA2 | 14.22 (0.5) | ● Brilliant Yellow Green | 8.1 | CA | 573 | White | Gray | 4 / 13.35 |

LED Digital Displays | SMD Display | Three Digit Display



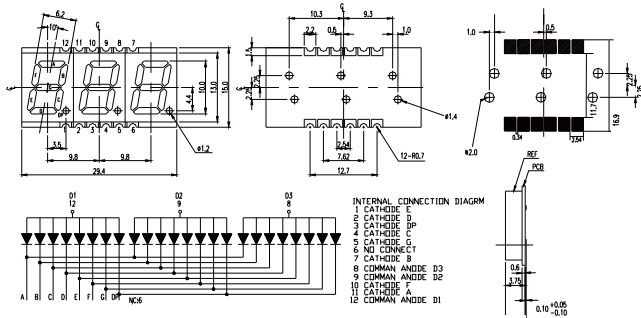
UNIT : mm



| Product | Segment Height mm (inch) | Color | Segment Width | CC/CA | λ_d (nm) | Resin Color | Face Color | I_v (Min/Typ) (mcd) |
|-------------|--------------------------|-----------------|---------------|-------|------------------|-------------|------------|-----------------------|
| EADST040RA1 | 10 (0.4) | ● Brilliant Red | 6.2 | CC | 624 | White | Gray | 7.8 / 16.4 |



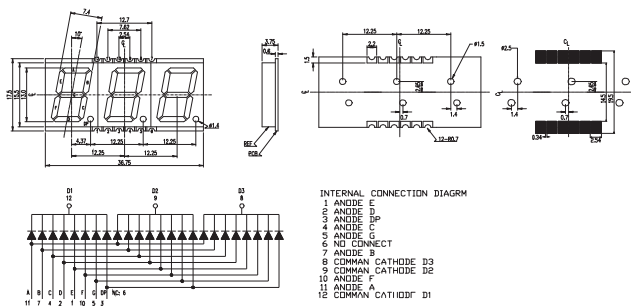
UNIT : mm



| Product | Segment Height mm (inch) | Color | Segment Width | CC/CA | λ_d (nm) | Resin Color | Face Color | I_v (Min/Typ) (mcd) |
|-------------|--------------------------|-----------------|---------------|-------|------------------|-------------|------------|-----------------------|
| EADST040RA2 | 10 (0.4) | ● Brilliant Red | 6.2 | CA | 624 | White | Gray | 7.8 / 16.4 |



UNIT : mm

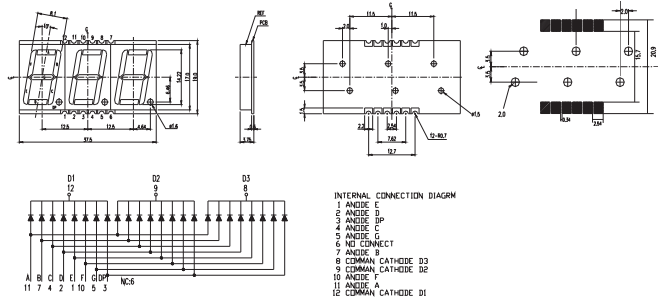


| Product | Segment Height mm (inch) | Color | Segment Width | CC/CA | λ_d (nm) | Resin Color | Face Color | I_v (Min/Typ) (mcd) |
|-------------|--------------------------|--------------------------|---------------|-------|------------------|-------------|------------|-----------------------|
| EADST050GA1 | 13 (0.5) | ● Brilliant Yellow Green | 7.4 | CC | 573 | White | Gray | 4 / 9.6 |

LED Digital Displays | SMD Display | Three Digit Display



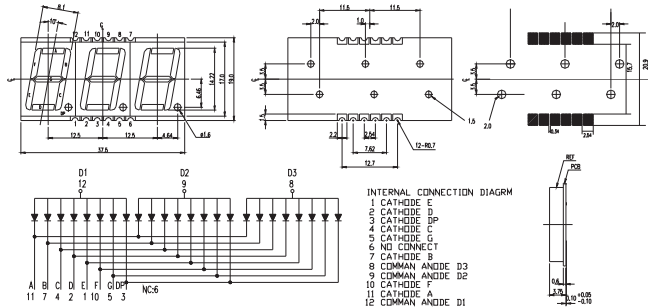
UNIT : mm



| Product | Segment Height
mm (inch) | Color | Segment Width | CC/CA | λ_d (nm) | Resin Color | Face Color | I_v
(Min/Typ)
(mcd) |
|-------------|-----------------------------|--------------------------|---------------|-------|------------------|-------------|------------|-----------------------------|
| EADST056GA1 | 14.22 (0.5) | ● Brilliant Yellow Green | 8.1 | CC | 573 | White | Gray | 4 / 9.6 |

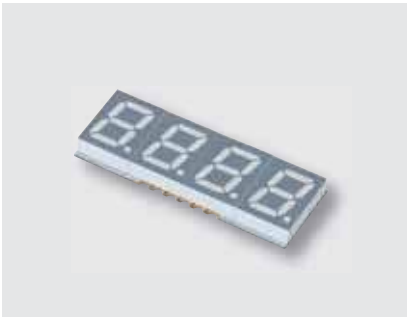


UNIT : mm

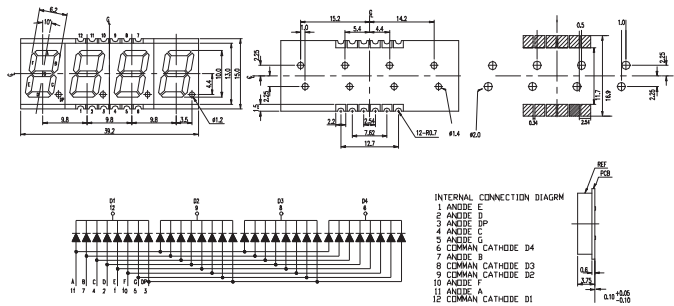


| Product | Segment Height
mm (inch) | Color | Segment Width | CC/CA | λ_d (nm) | Resin Color | Face Color | I_v
(Min/Typ)
(mcd) |
|-------------|-----------------------------|--------------------------|---------------|-------|------------------|-------------|------------|-----------------------------|
| EADST056RA2 | 14.22 (0.5) | ● Brilliant Red | 8.1 | CA | 624 | White | Gray | 7.8 / 21.6 |
| EADST056GA2 | 14.22 (0.5) | ● Brilliant Yellow Green | 8.1 | CA | 573 | White | Gray | 7.8 / 16.4 |

LED Digital Displays | SMD Display | Four Digit Display



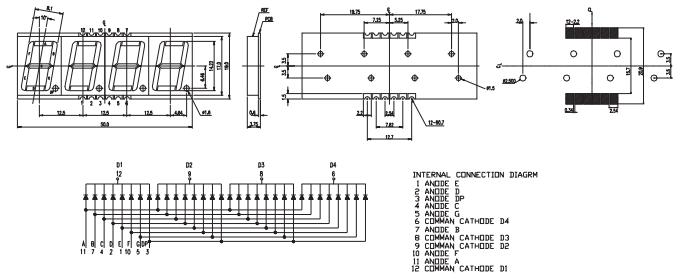
UNIT : mm



| Product | Segment Height mm (inch) | Color | Segment Width | CC/CA | λ_d (nm) | Resin Color | Face Color | I_v (Min/Typ) (mcd) |
|-------------|--------------------------|-----------------|---------------|-------|------------------|-------------|------------|-----------------------|
| EADSF040RA1 | 10 (0.4) | ● Brilliant Red | 6.2 | CC | 624 | White | Gray | 7.8 / 16.4 |



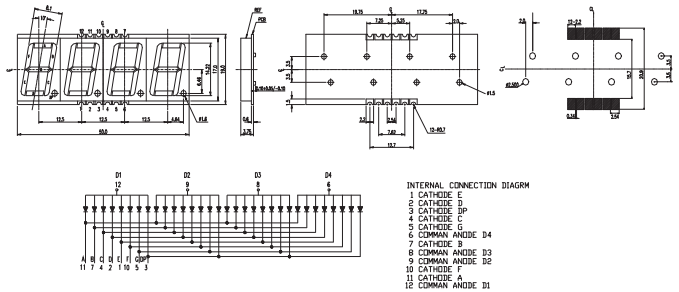
UNIT : mm



| Product | Segment Height mm (inch) | Color | Segment Width | CC/CA | λ_d (nm) | Resin Color | Face Color | I_v (Min/Typ) (mcd) |
|-------------|--------------------------|-----------------|---------------|-------|------------------|-------------|------------|-----------------------|
| EADSF056RA1 | 14.22 (0.5) | ● Brilliant Red | 8.1 | CC | 624 | White | Gray | 11 / 23.4 |



UNIT : mm

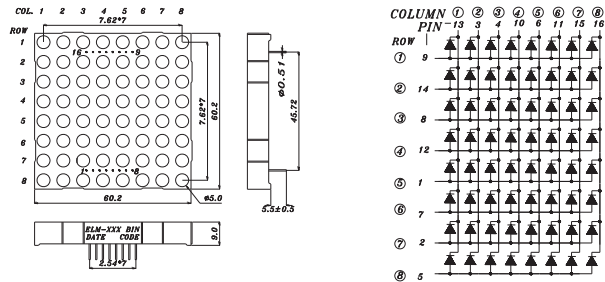


| Product | Segment Height mm (inch) | Color | Segment Width | CC/CA | λ_d (nm) | Resin Color | Face Color | I_v (Min/Typ) (mcd) |
|-------------|--------------------------|--------------------------|---------------|-------|------------------|-------------|------------|-----------------------|
| EADSF056RA2 | 14.22 (0.5) | ● Brilliant Red | 8.1 | CA | 624 | White | Gray | 11 / 27.8 |
| EADSF040GA1 | 14.22 (0.5) | ● Brilliant Yellow Green | 8.1 | CA | 573 | White | Gray | 4 / 10.8 |

LED Digital Displays | Dot Matrix Display



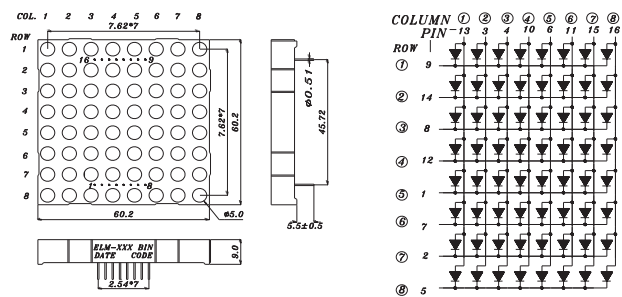
UNIT : mm



| Product | Size (LxWmm) | Color | Segment Width | CC/CA | λ_d (nm) | Resin Color | Face Color | I_v (Min/Typ) (mcd) |
|-------------|--------------|--------------------------|---------------|-------|------------------|-------------|------------|-----------------------|
| EADDM288RA1 | 60.2x60.2 | ● Brilliant Red | -- | CC | 624 | White | Gray | 7.8 / 21 |
| EADDM288GA1 | 60.2x60.2 | ● Brilliant Yellow Green | -- | CC | 573 | White | Gray | 7.8 / 17.6 |
| EADDM288YA1 | 60.2x60.2 | ● Brilliant Yellow | -- | CC | 589 | White | Gray | 11 / 17.6 |

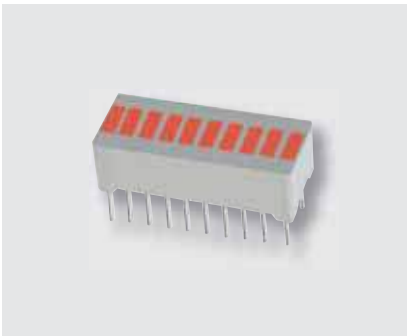


UNIT : mm

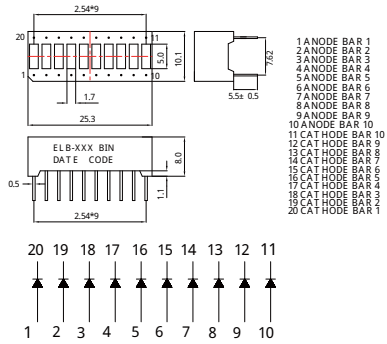


| Product | Size (LxWmm) | Color | Segment Width | CC/CA | λ_d (nm) | Resin Color | Face Color | I_v (Min/Typ) (mcd) |
|-------------|--------------|--------------------------|---------------|-------|------------------|-------------|------------|-----------------------|
| EADDM288GA2 | 60.2x60.2 | ● Brilliant Yellow Green | -- | CA | 573 | White | Gray | 7.8 / 17.6 |

LED Digital Displays | Light Bar Display



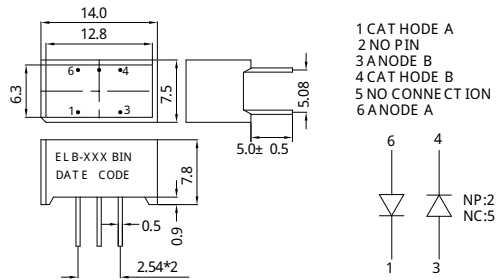
UNIT : mm



| Product | Size (LxWmm) | Color | Segment Width | CC/CA | λ_d (nm) | Resin Color | Face Color | I_v (Min/Typ) (mcd) |
|-------------|--------------|--------------------------|---------------|-------|------------------|-------------|------------|-----------------------|
| EADLBA10RA1 | 25.3x10.1 | ● Deep Red | -- | CC | 639 | White | Black | 4 / 8.9 |
| EADLBA10RA3 | 25.3x10.1 | ● Brilliant Red | -- | CC | 624 | White | Black | 5.6 / 12.5 |
| EADLBA10OA1 | 25.3x10.1 | ● Reddish Orange | -- | CC | 615 | White | Gray | 7.8 / 17.6 |
| EADLBA10GA1 | 25.3x10.1 | ● Brilliant Yellow Green | -- | CC | 573 | White | Gray | 2.8 / 4.5 |



UNIT : mm

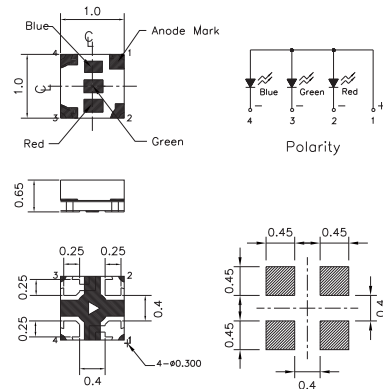


| Product | Size (LxWmm) | Color | Segment Width | CC/CA | λ_d (nm) | Resin Color | Face Color | I_v (Min/Typ) (mcd) |
|-------------|--------------|--------------------------|---------------|-------|------------------|-------------|------------|-----------------------|
| EADLB101RA2 | 14x7.5 | ● Brilliant Red | -- | CA | 624 | Red | Red | 11 / 24 |
| EADLB101GA2 | 14x7.5 | ● Brilliant Yellow Green | -- | CA | 573 | Red | Red | 2.8 / 6.4 |

Signage LED | Surface Mount Chip LED (PCB)



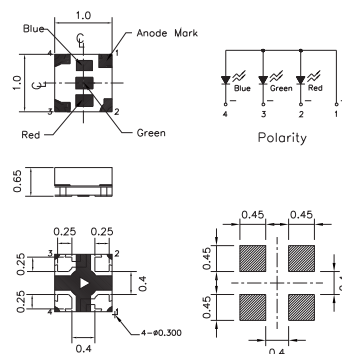
UNIT : mm



| Product | Size (LxWxHmm) | Color | λ_d (nm) | Typ. I_v (mcd) | V_F (V) | | I_F (mA) | Viewing Angle (°) |
|--------------|-----------------|---------|------------------|------------------|-----------|------|------------|-------------------|
| | | | | | Typ. | Max. | | |
| EAST1010RGB1 | 1x1x0.5 (4-pin) | ● Red | 618~630 | 54 | 2.0 | 2.4 | 10 | 120 |
| | | ● Green | 513~531 | 173 | 3.3 | 3.7 | | |
| | | ● Blue | 462~477 | 29 | 3.3 | 3.7 | | |

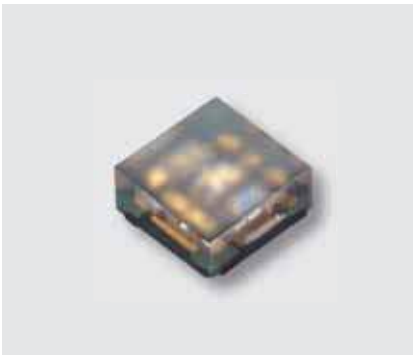


UNIT : mm

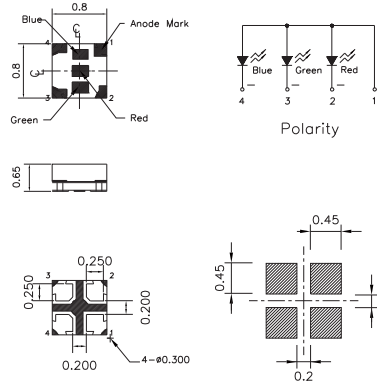


| Product | Size (LxWxHmm) | Color | λ_d (nm) | Typ. I_v (mcd) | V_F (V) | | I_F (mA) | Viewing Angle (°) |
|--------------|------------------|---------|------------------|------------------|-----------|------|------------|-------------------|
| | | | | | Typ. | Max. | | |
| EAST1010RGB0 | 1x1x0.65 (4-pin) | ● Red | 616~631 | 39 | 2.0 | 2.4 | 10 | 120 |
| | | ● Green | 515~533 | 107 | 3.3 | 3.7 | | |
| | | ● Blue | 462~477 | 19.2 | 3.3 | 3.7 | | |

Signage LED | Surface Mount Chip LED (PCB)



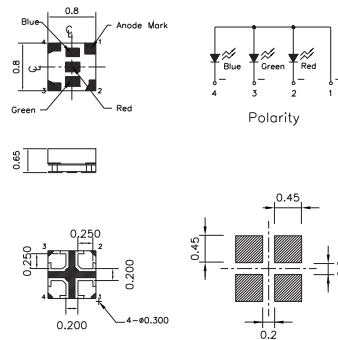
UNIT : mm



| Product | Size (LxWxHmm) | Color | λ_d (nm) | Typ. I_v (mcd) | V_F (V) | | I_F (mA) | Viewing Angle (°) |
|----------------|----------------------|---------|------------------|------------------|-----------|------|------------|-------------------|
| | | | | | Typ. | Max. | | |
| EAST0808RGB A0 | 0.8x0.8x0.65 (4-pin) | ● Red | 617~629 | 80 | 2.0 | 2.4 | 10 | 120 |
| | | ● Green | 512~533 | 194 | 3.3 | 3.7 | | |
| | | ● Blue | 459~477 | 48 | 3.3 | 3.7 | | |



UNIT : mm

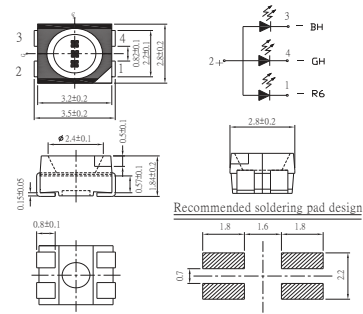


| Product | Size (LxWxHmm) | Color | λ_d (nm) | Typ. I_v (mcd) | V_F (V) | | I_F (mA) | Viewing Angle (°) |
|----------------|----------------------|---------|------------------|------------------|-----------|------|------------|-------------------|
| | | | | | Typ. | Max. | | |
| EAST0808RGB A1 | 0.8x0.8x0.65 (4-pin) | ● Red | 617~632 | 36 | 2.0 | 2.4 | 10 | 120 |
| | | ● Green | 512~533 | 60 | 3.3 | 3.7 | | |
| | | ● Blue | 458~476 | 16.8 | 3.3 | 3.7 | | |

Signage LED | Surface Mount PLCC LED (Reflector)



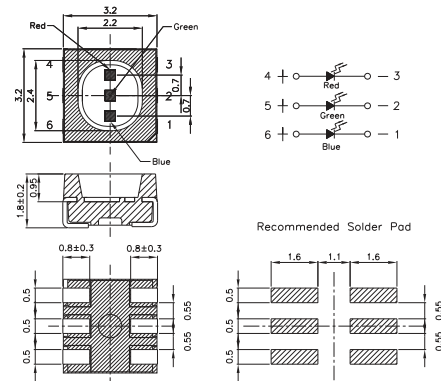
UNIT : mm



| Product | Size (LxWxHmm) | Color | λ_d (nm) | Typ. I_v (mcd) | V_F (V) | | I_F (mA) | Viewing Angle (°) |
|---------------|----------------|-------|------------------|------------------|-----------|------|------------|-------------------|
| | | | | | Typ. | Max. | | |
| EAPL3528RGBAO | 3.5x2.8x1.8 | Red | 620.5~627.5 | 220 | 2.0 | 2.5 | 20 | 120 |
| | | Green | 517~532 | 1000 | 3.2 | 3.7 | | |
| | | Blue | 464.5~474.5 | 220 | 3.2 | 3.7 | | |



UNIT : mm



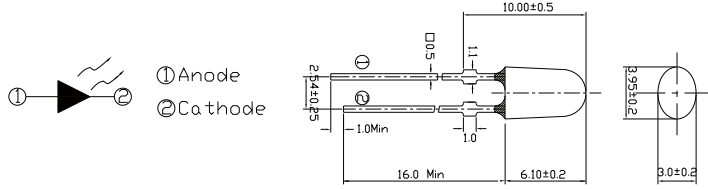
| Product | Size (LxWxHmm) | Color | λ_d (nm) | Typ. I_v (mcd) | V_F (V) | | I_F (mA) | Viewing Angle (°) |
|---------------|----------------|-------|------------------|------------------|-----------|------|------------|-------------------|
| | | | | | Typ. | Max. | | |
| EAPL3232RGBAO | 3.2x3.2x1.8 | Red | 620~629 | 625 | 2.0 | 2.5 | 20 | 120 |
| | | Green | 520~530 | 1530 | 3.2 | 3.7 | | |
| | | Blue | 463.5~473.5 | 337 | 3.2 | 3.7 | | |

Signage LED

Signage LED | Lamp Type LED | 3mm Oval Type



UNIT : mm



| Product | Size (LxWxHmm) | Color | Lens Type | λ_d (nm) | Typ. I_v (mcd) | V_F (V) | | I_F (mA) | Viewing Angle (°) |
|--------------|----------------|--------|-----------|------------------|------------------|-----------|------|------------|-------------------|
| | | | | | | Typ. | Max. | | |
| EALP03OLARA0 | 3.2X4.1X6.3 | Red | Oval | 620-629 | 1400 | 2.0 | 2.6 | 20 | 110 / 60 |
| EALP03OLABA0 | 3.2X4.1X6.3 | Blue | Oval | 465-475 | 1085 | 3.2 | 3.6 | 20 | 110 / 60 |
| EALP03OLAGA0 | 3.2X4.1X6.3 | Green | Oval | 525-535 | 3925 | 3.2 | 3.6 | 20 | 110 / 60 |
| EALP03OLARA1 | 3.2X4.1X6.3 | Red | Oval | 619-628 | 1630 | 2.2 | 2.6 | 20 | 110 / 60 |
| EALP03OLAYA0 | 3.2X4.1X6.3 | Yellow | Oval | 586-594 | 1630 | 2.2 | 2.6 | 20 | 110 / 60 |

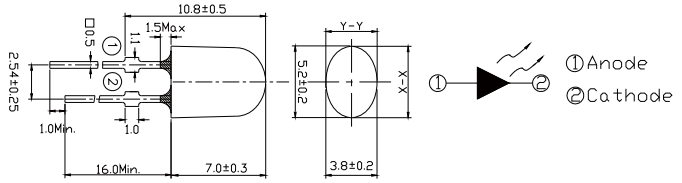
• Product Availability : Please visit EVERLIGHT AMERICAS website for updated information (www.everlightamericas.com) or contact EVERLIGHT AMERICAS sales for regional options.

Signage LED | Lamp Type LED | 5mm Oval Type



UNIT : mm

(With Stopper)

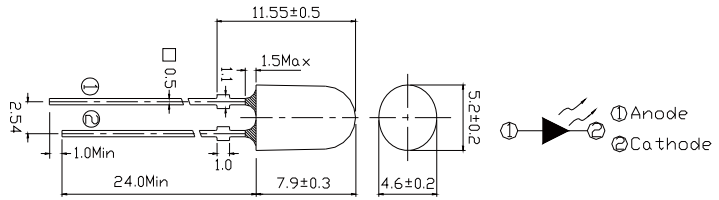


| Product | Size (LxWxHmm) | Color | Lens Type | λ_d (nm) | Typ. I_v (mcd) | V_F (V) | | I_F (mA) | Viewing Angle (°) |
|--------------|----------------|---------|-----------|------------------|------------------|-----------|------|------------|-------------------|
| | | | | | | Typ. | Max. | | |
| EALP05OLARA0 | 5.2x3.8x7 | ● Red | Oval | 619~628 | 1220 | 2.2 | 2.4 | 20 | 110 / 40 |
| EALP05OLABA0 | 5.2x3.8x7 | ● Blue | Oval | 465~475 | 1030 | 3.2 | 3.6 | 20 | 110 / 40 |
| EALP05OLAGA0 | 5.2x3.8x7 | ● Green | Oval | 525~535 | 3925 | 3.2 | 3.6 | 20 | 110 / 40 |
| EALP05OLAGA1 | 5.2x3.8x7 | ● Green | Oval | 525~535 | 3925 | 3.2 | 3.6 | 20 | 110 / 40 |
| EALP05OLARA1 | 5.2x3.8x7 | ● Red | Oval | 619~628 | 1630 | 2.2 | 2.4 | 20 | 110 / 40 |



UNIT : mm

(With Stopper)



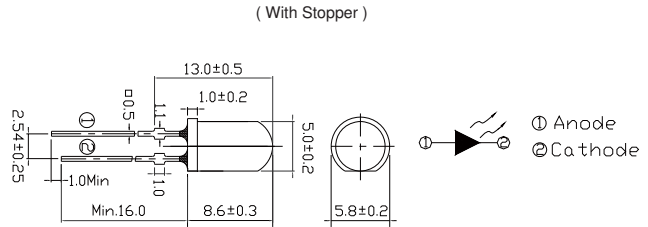
| Product | Size (LxWxHmm) | Color | Lens Type | λ_d (nm) | Typ. I_v (mcd) | V_F (V) | | I_F (mA) | Viewing Angle (°) |
|--------------|----------------|----------|-----------|------------------|------------------|-----------|------|------------|-------------------|
| | | | | | | Typ. | Max. | | |
| EALP05OLBGA0 | 5.2x4.6x7.9 | ● Green | Oval | 525~535 | 3000 | 3.2 | 3.6 | 20 | 70 / 40 |
| EALP05OLBGA1 | 5.2x4.6x7.9 | ● Green | Oval | 525~535 | 4140 | 3.2 | 3.6 | 20 | 70 / 40 |
| EALP05OLBBA0 | 5.2x4.6x7.9 | ● Blue | Oval | 465~475 | 1000 | 3.2 | 3.6 | 20 | 70 / 40 |
| EALP05OLCRA0 | 5.2x4.6x7.9 | ● Red | Oval | 619~628 | 2240 | 2.0 | 2.6 | 20 | 65 / 40 |
| EALP05OLCYA0 | 5.2x4.6x7.9 | ● Yellow | Oval | 586~594 | 2000 | 2.0 | 2.6 | 20 | 65 / 40 |

Signage LED

Signage LED | Lamp Type LED | 5mm Round Type



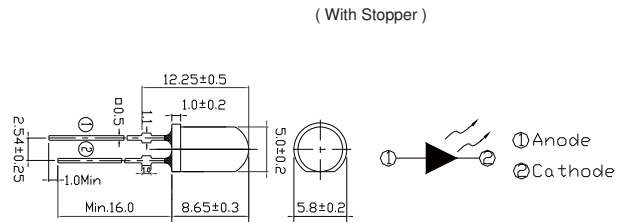
UNIT : mm



| Product | Size (LxWxHmm) | Color | Lens Type | λ_d (nm) | Typ. I_v (mcd) | V_F (V) | | I_F (mA) | Viewing Angle (°) |
|--------------|----------------|--------|-----------|------------------|------------------|-----------|------|------------|-------------------|
| | | | | | | Typ. | Max. | | |
| EALP05RDDYA0 | 5x5x8.6 | Yellow | Clear | 586~594 | 11250 | 2.0 | 2.6 | 20 | 15 |
| EALP05RDDBA0 | 5x5x8.6 | Blue | Clear | 465~475 | 7150 | 3.2 | 3.6 | 20 | 15 |



UNIT : mm

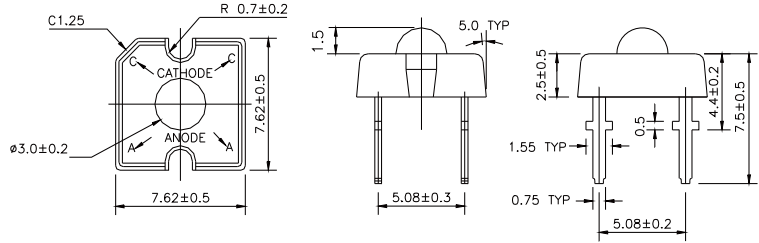


| Product | Size (LxWxHmm) | Color | Lens Type | λ_d (nm) | Typ. I_v (mcd) | V_F (V) | | I_F (mA) | Viewing Angle (°) |
|--------------|----------------|--------|-----------|------------------|------------------|-----------|------|------------|-------------------|
| | | | | | | Typ. | Max. | | |
| EALP05RDLRA0 | 5x5x8.7 | Red | Clear | 619~628 | 7150 | 2.0 | 2.6 | 20 | 30 |
| EALP05RDLYA0 | 5x5x8.7 | Yellow | Clear | 586~594 | 4500 | 2.0 | 2.6 | 20 | 30 |
| EALP05RDLYA1 | 5x5x8.7 | Yellow | Clear | 586~594 | 7150 | 2.0 | 2.6 | 20 | 30 |
| EALP05RDLGA0 | 5x5x8.7 | Green | Clear | 525~535 | 9000 | 3.2 | 3.6 | 20 | 30 |
| EALP05RDLGA1 | 5x5x8.7 | Green | Clear | 505 | 6300 | 3.2 | 3.6 | 20 | 30 |
| EALP05RDLBA0 | 5x5x8.7 | Blue | Clear | 465~475 | 3600 | 3.2 | 3.6 | 20 | 30 |
| EALP05RDJRA4 | 5x5x8.7 | Red | Clear | 619~628 | 4500 | 2.0 | 2.6 | 20 | 25 |
| EALP05RDJYA3 | 5x5x8.7 | Yellow | Clear | 586~594 | 4500 | 2.0 | 2.6 | 20 | 25 |
| EALP05RDKGA2 | 5x5x8.7 | Green | Clear | 505 | 9000 | 3.2 | 3.6 | 20 | 23 |

Automotive LED | Super Flux LED | 3 mm

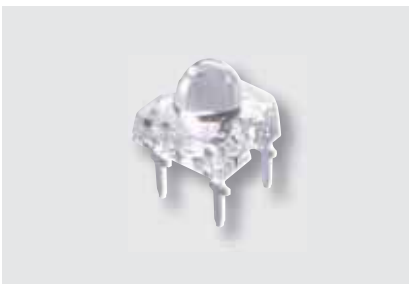


UNIT : mm

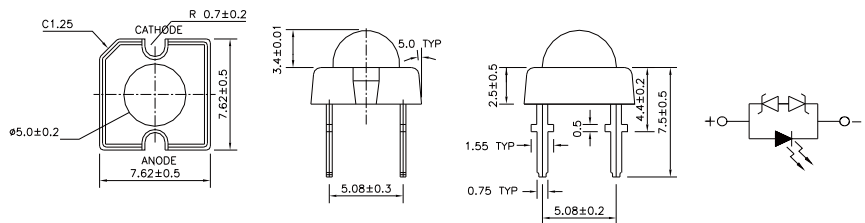


| Product | Size (LxWxHmm) | Color | I_v (mlm) | Wavelength (nm) | V_F (V) | I_F (mA) | Viewing Angle ($^\circ$) |
|-----------------|----------------|--------|-------------|------------------|-----------|------------|----------------------------|
| EALP03SXARA0-AM | 7.62x7.62x9 | Red | 7150~14250 | 620~632 | 1.9~2.9 | 70 | 85 |
| EALP03SXAYA0-AM | 7.62x7.62x9 | Yellow | 7150~14250 | 587~596 | 1.9~2.9 | 70 | 85 |
| EALP03SXAOA0-AM | 7.62x7.62x9 | Orange | 7150~14250 | 611~620 | 1.9~2.9 | 70 | 80 |
| EALP03SXABA0 | 7.62x7.62x9 | Blue | 1125~2850 | 464~476 | 2.8~3.8 | 30 | 80 |
| EALP03SXAGA0 | 7.62x7.62x9 | Green | 4500~9000 | 520~532 | 3.0~4.0 | 30 | 80 |
| EALP03SXDOA1-AM | 7.62x7.62x9 | Orange | 7150~14250 | 611~620 | 1.9~2.9 | 70 | 50 |
| EALP03SXDAW0 | 7.62x7.62x9 | White | 2850~5650 | $x=0.30, y=0.29$ | 2.8~3.8 | 30 | 45 |
| EALP03SXBRA0-AM | 7.62x7.62x9 | Red | 7150~14250 | 620~628 | 1.9~2.9 | 70 | 110 |
| EALP03SXBYA0-AM | 7.62x7.62x9 | Yellow | 7150~14250 | 590~598 | 1.9~2.9 | 70 | 105 |
| EALP03SXCOA0-AM | 7.62x7.62x9 | Orange | 5650~11250 | 610~620 | 1.9~2.9 | 70 | 40 |
| EALP03SXCRA0-AM | 7.62x7.62x9 | Red | 7150~14250 | 620~632 | 1.9~2.9 | 70 | 40 |
| EALP03SXCYA0-AM | 7.62x7.62x9 | Yellow | 7150~14250 | 586~594 | 1.9~2.9 | 70 | 35 |
| EALP03SXDYA0-AM | | | | | | | |

Automotive LED | Super Flux LED | 5 mm



UNIT : mm

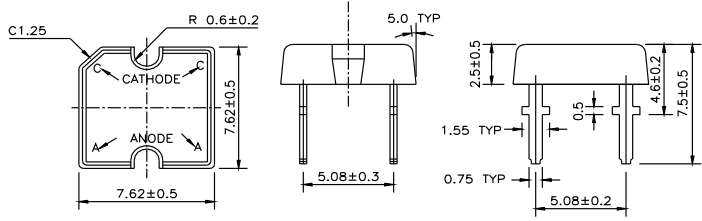


| Product | Size (LxWxHmm) | Color | I_v (mlm) | Wavelength (nm) | V_F (V) | I_F (mA) | Viewing Angle ($^\circ$) |
|--------------|----------------|--------|-------------|------------------|-----------|------------|----------------------------|
| EALP05SXAWA0 | 7.62x7.62x9 | White | 2850~5650 | $x=0.30, y=0.29$ | 3.0~4.0 | 30 | 25 |
| EALP05SXABA0 | 7.62x7.62x9 | Blue | 1125~2850 | 464~476 | 2.8~3.8 | 30 | 25 |
| EALP05SXAYA0 | 7.62x7.62x9 | Yellow | 4500~9000 | 586~598 | 2.5~3.3 | 70 | 25 |
| EALP05SXAYA1 | 7.62x7.62x9 | Yellow | 4500~9000 | 586~598 | 2.1~3.1 | 70 | 25 |

Automotive LED | Super Flux LED | Flat



UNIT : mm

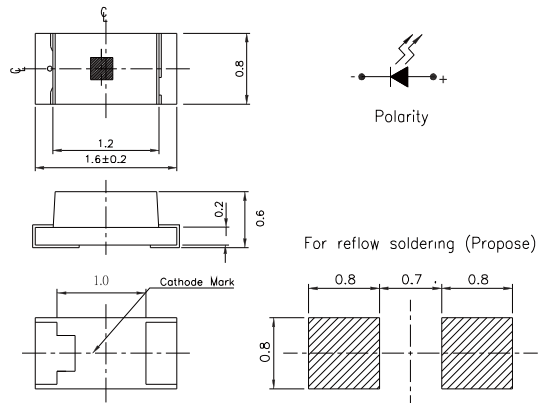


| Product | Size (LxWxHmm) | Color | I_v (mIm) | Wavelength (nm) | V_F (V) | I_F (mA) | Viewing Angle (°) |
|-------------------------------|----------------|----------|-------------|-----------------|-----------|------------|-------------------|
| EALP00SXBYA0-AM | 7.62x7.62x7.5 | ● Yellow | 5650~11250 | 589~598 | 1.9~2.9 | 70 | 130 |
| EALP00SXABA0 (Non Automotive) | 7.62x7.62x7.5 | ● Blue | 900~2250 | 464~476 | 2.8~3.8 | 30 | 130 |
| EALP00SXAWA0 (Non Automotive) | 7.62x7.62x7.5 | ○ White | 2850~5650 | x=0.30, y=0.29 | 2.8~3.8 | 30 | 130 |

Automotive LED | Surface Mount Chip LED (PCB) | Top View 0603



UNIT : mm

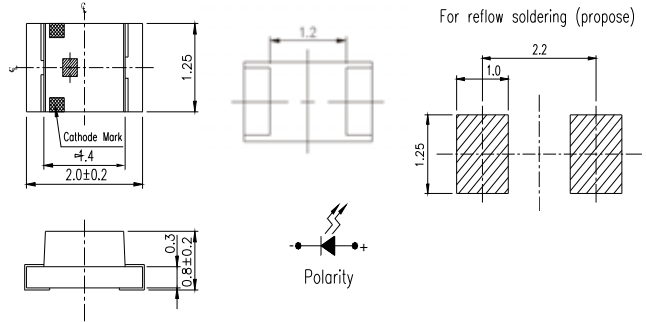


| Product | Size (LxWxHmm) | Color | λ_d (nm)/CIE(x,y) | I_v Min. (mcd) | I_v Max. (mcd) | V_F Min. (V) | V_F Max. (V) | I_F (mA) | Viewing Angle (°) |
|-----------------|----------------|--------------------|---------------------------|------------------|------------------|----------------|----------------|------------|-------------------|
| EAST16086RA8-AM | 1.6x0.8x0.6 | ● Dark Red | 625.5~637.5 | 112 | 280 | 1.75 | 2.35 | 10 | 130 |
| EAST16086OA2-AM | 1.6x0.8x0.6 | ● Beddish Orange | 613.5~621.5 | 180 | 355 | 1.75 | 2.35 | 20 | 120 |
| EAST16086YA7-AM | 1.6x0.8x0.6 | ● Brilliant Yellow | 589~595 | 180 | 355 | 1.75 | 2.35 | 20 | 120 |
| EAST16086GA9-AM | 1.6x0.8x0.6 | ● Pale Green | 557~564 | 14 | 35.5 | 1.7 | 2.3 | 20 | 120 |

Automotive LED | Surface Mount Chip LED (PCB) | Top View 0805



UNIT : mm

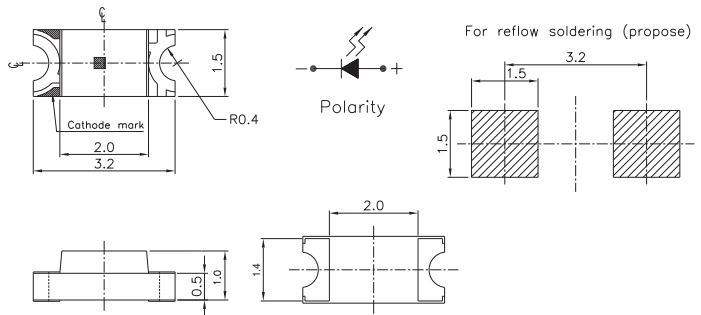


| Product | Size (LxWxHmm) | Color | λ_d (nm)/CIE(x,y) | I_v Min. (mcd) | I_v Max. (mcd) | V_F Min. (V) | V_F Max. (V) | I_F (mA) | Viewing Angle (°) |
|-----------------|----------------|--------------------|---------------------------|------------------|------------------|----------------|----------------|------------|-------------------|
| EAST20128RA0-AM | 2x1.25x0.8 | ● Brilliant Red | 617.5~633.5 | 112 | 280 | 1.75 | 2.35 | 20 | 130 |
| EAST20128AA0-AM | 2x1.25x0.8 | ● Brilliant Orange | 603.5~609.5 | 90 | 180 | 1.75 | 2.35 | 20 | 130 |
| EAST20128YA0-AM | 2x1.25x0.8 | ● Brilliant Yellow | 584~596 | 90 | 224 | 1.75 | 2.35 | 20 | 130 |
| EAST20128GA0-AM | 2x1.25x0.8 | ● Pale Green | 557~564 | 11.2 | 28 | 1.7 | 2.3 | 20 | 130 |
| EAST2012RA3-AM | 2x1.25x0.8 | ● Deep Red | 625.5~637.5 | 36 | 90 | 1.75 | 2.35 | 20 | 130 |

Automotive LED | Surface Mount Chip LED (PCB) | Top View 1206



UNIT : mm

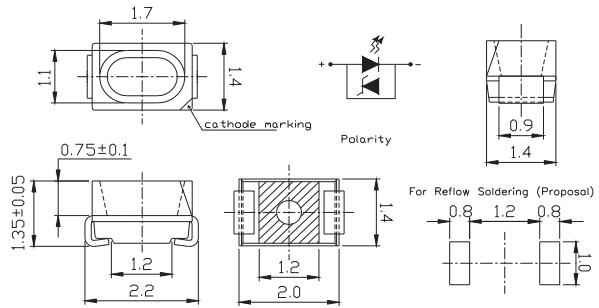


| Product | Size (LxWxHmm) | Color | λ_d (nm)/CIE(x,y) | I_v Min. (mcd) | I_v Max. (mcd) | V_F Min. (V) | V_F Max. (V) | I_F (mA) | Viewing Angle (°) |
|----------------|----------------|--------------------|---------------------------|------------------|------------------|----------------|----------------|------------|-------------------|
| EAST3215RA3-AM | 3.2x1.5x1 | ● Brilliant Red | 617.5~629.5 | 71 | 180 | 1.75 | 2.35 | 20 | 130 |
| EAST3215YA4-AM | 3.2x1.5x1 | ● Brilliant Yellow | 585.5~594.5 | 45 | 112 | 1.75 | 2.35 | 20 | 130 |
| EAST3215GA5-AM | 3.2x1.5x1 | ● Brilliant Yellow | 585.5~594.5 | 180 | 355 | 1.75 | 2.35 | 20 | 130 |
| EAST3215RA4-AM | 3.2x1.5x1 | ● Pale Green | 557~564 | 14 | 28 | 1.75 | 2.35 | 15 | 130 |
| EAST3215YA3-AM | 3.2x1.5x1 | ● Brilliant Green | 625.5~637.5 | 56 | 140 | 1.75 | 2.35 | 20 | 130 |

Automotive LED | Surface Mount PLCC LED (Reflector) | Top View PLCC2



UNIT : mm

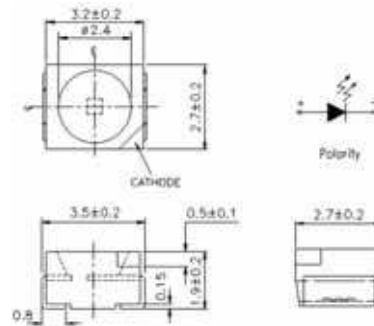


| Product | Size (LxWxHmm) | Color | λ_d (nm)/CIE(x,y) | I_V Min. (mcd) | I_V Max. (mcd) | V_F Min. (V) | V_F Max. (V) | I_F (mA) | Viewing Angle (°) |
|----------------|----------------|--------------------|---------------------------|------------------|------------------|----------------|----------------|------------|-------------------|
| EAPL2214RA1-AM | 2.2x1.4x1.35 | ● Dark Red | 633 | 90 | 224 | 1.75 | 2.35 | 20 | 120 |
| EAPL2214GA0-AM | 2.2x1.4x1.35 | ● Brilliant Green | 527 | 710 | 1400 | 2.7 | 3.7 | 30 | 120 |
| EAPL2214GA1-AM | 2.2x1.4x1.35 | ● Brilliant Yellow | 569.5~575.5 | 56 | 140 | 1.7 | 2.4 | 20 | 120 |
| EAPL2214RA0-AM | 2.2x1.4x1.35 | ● Brilliant Red | 627~639 | 71 | 140 | 1.75 | 2.35 | 30 | 120 |

Automotive LED | Surface Mount PLCC LED (Reflector) | Top View PLCC2



UNIT : mm

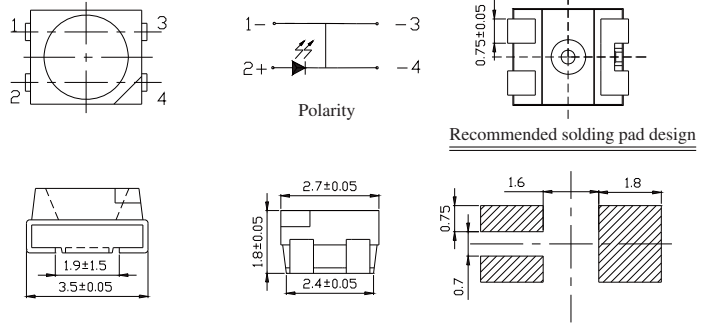


| Product | Size (LxWxHmm) | Color | λ_d (nm)/CIE(x,y) | I_V Min. (mcd) | I_V Max. (mcd) | V_F Min. (V) | V_F Max. (V) | I_F (mA) | Viewing Angle (°) |
|----------------|----------------|--------------------|---------------------------|------------------|------------------|----------------|----------------|------------|-------------------|
| EAPL3527RA1-AM | 3.1x2.7x1.9 | ● Super Red | 633 | 90 | 224 | 1.75 | 2.35 | 20 | 120 |
| EAPL3527GA0-AM | 3.1x2.7x1.9 | ● Brilliant Green | 527 | 710 | 1400 | 2.7 | 3.7 | 30 | 120 |
| EAPL3527BA0-AM | 3.1x2.7x1.9 | ● Blue | 470 | 140 | 280 | 2.7 | 3.8 | 30 | 120 |
| EAPL3527YA0-AM | 3.1x2.7x1.9 | ● Brilliant Yellow | 587 | 140 | 224 | 1.75 | 2.35 | 20 | 120 |
| EAPL3527RA0-AM | 3.1x2.7x1.9 | ● Dark Red | 638 | 112 | 224 | 1.75 | 2.35 | 30 | 120 |
| EAPL3527BA2-AM | 3.1x2.7x1.9 | ○ Ice Blue | x=0.2, y=0.23 | 180 | 450 | 2.7 | 3.8 | 10 | 120 |

Automotive LED | Surface Mount PLCC LED (Reflector) | Top View PLCC3



UNIT : mm

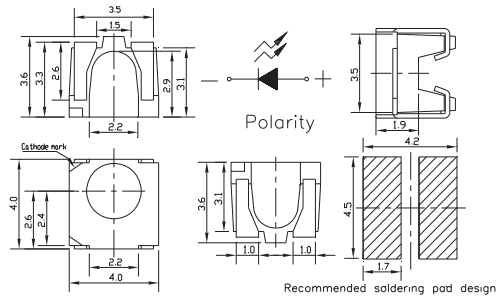


| Product | Size (LxWxHmm) | Color | λ_d (nm)/CIE(x,y) | I_v Min. (mcd) | I_v Max. (mcd) | V_F Min. (V) | V_F Max. (V) | I_F (mA) | Viewing Angle (°) |
|----------------|----------------|--------------------|---------------------------|------------------|------------------|----------------|----------------|------------|-------------------|
| EAPL3527RA2-AM | 3.5x2.7x1.8 | ● Deep Red | 632 | 900 | 1800 | 1.7 | 2.6 | 70 | 120 |
| EAPL3527GA1-AM | 3.5x2.7x1.8 | ● Pale Green | 564 | 56 | 140 | 1.7 | 2.4 | 50 | 120 |
| EAPL3527BA3-AM | 3.5x2.7x1.8 | ● Blue | 469 | 355 | 900 | 2.75 | 3.95 | 30 | 120 |
| EAPL3527YA1-AM | 3.5x2.7x1.8 | ● Brilliant Yellow | 589 | 1400 | 2800 | 1.7 | 2.6 | 70 | 120 |

Automotive LED | Surface Mount PLCC LED (Reflector) | Side View PLCC2



UNIT : mm



| Product | Size (LxWxHmm) | Color | λ_d (nm)/CIE(x,y) | I_v Min. (mcd) | I_v Max. (mcd) | V_F Min. (V) | V_F Max. (V) | I_F (mA) | Viewing Angle (°) |
|----------------|----------------|--------------------|---------------------------|------------------|------------------|----------------|----------------|------------|-------------------|
| EAPL4040RA0-AM | 4x4x3.6 | ● Dark Red | 633 | 715 | 1800 | 1.8 | 2.4 | 30 | 120 |
| EAPL4040GA0-AM | 4x4x3.6 | ● Brilliant Green | 526 | 560 | 900 | 2.7 | 3.8 | 20 | 120 |
| EAPL4040YA0-AM | 4x4x3.6 | ● Brilliant Yellow | 590 | 180 | 355 | 1.75 | 2.35 | 20 | 120 |





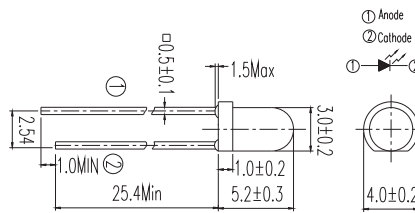
INFRARED LED, SENSORS, COUPLERS

- 138** INFRARED LED AND SILICON DETECTOR
- 163** INFRARED RECEIVER MODULE
- 175** OPTIC-FIBER DEVICE (PHOTO LINK)
- 184** OPTICAL SENSOR
- 201** PHOTO COUPLER

Infrared LED and Silicon Detector | Emitter | Lamp 3mm



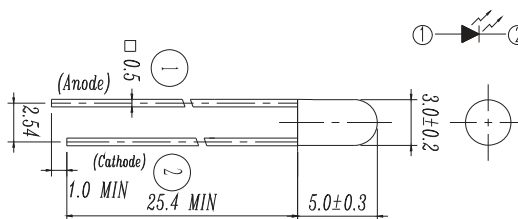
UNIT : mm



| Product | Size (mm) | λ_P (nm) | V_F Typ (V) | V_F Max (V) | I_e Min (mW/sr) | I_e Typ (mW/sr) | Viewing Angle (°) |
|--------------|-----------|------------------|---------------|---------------|-------------------|-------------------|-------------------|
| EAILP03RDAA0 | 3 | 850 | 1.45 | 1.65 | 7.8 | 17.6 | 25 |
| EAILP03RDAA1 | 3 | 850 | 1.45 | 1.65 | 4 | 8.9 | 40 |
| EAILP03RDAA2 | 3 | 850 | 1.45 | 1.65 | 7.8 | 17.6 | 25 |
| EAILP03RDAA3 | 3 | 850 | 1.45 | 1.65 | 11 | 20 | 40 |
| EAILP03RDAA6 | 3 | 940 | 1.2 | 1.5 | 4 | 5.6 | 35 |
| EAILP03RDAA4 | 3 | 940 | 1.2 | 1.5 | 2.8 | 4 | 50 |
| EAILP03RDAA5 | 3 | 940 | 1.2 | 1.5 | 4 | 7 | 50 |
| EAILP03RDAA8 | 3 | 940 | 1.2 | 1.5 | 4 | 5.6 | 35 |
| EAILP03RDAA7 | 3 | 940 | 1.2 | 1.5 | 2.8 | 4 | 50 |
| EAILP03RDAA9 | 3 | 875 | 1.3 | 1.65 | 4 | 6.4 | 30 |
| EAILP03RDAB0 | 3 | 875 | 1.3 | 1.65 | 4 | 6.4 | 30 |



UNIT : mm

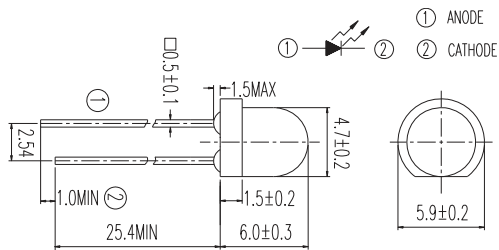


| Product | Size (mm) | λ_P (nm) | V_F Typ (V) | V_F Max (V) | I_e Min (mW/sr) | I_e Typ (mW/sr) | Viewing Angle (°) |
|--------------|-----------|------------------|---------------|---------------|-------------------|-------------------|-------------------|
| EAILP03RDKA1 | 3 | 875 | 1.3 | 1.65 | 5.6 | 9 | 30 |
| EAILP03RDKA0 | 3 | 850 | 1.45 | 1.65 | 7.8 | 15 | 30 |

Infrared LED and Silicon Detector | Emitter | Lamp 5mm



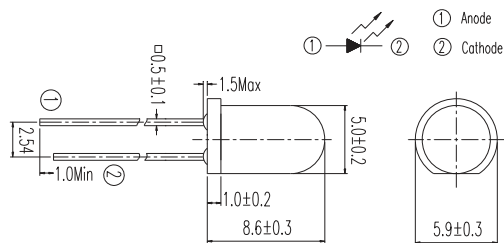
UNIT : mm



| Product | Size (mm) | λ_P (nm) | V_F Typ (V) | V_F Max (V) | I_{e_Min} (mW/sr) | I_{e_Typ} (mW/sr) | Viewing Angle (°) |
|--------------|-----------|------------------|---------------|---------------|----------------------|----------------------|-------------------|
| EAILP05RDBA0 | 5 | 850 | 1.45 | 1.65 | 15 | 30 | 25 |
| EAILP05RDBA1 | 5 | 850 | 1.45 | 1.65 | 7.8 | 11 | 30 |
| EAILP05RDBA4 | 5 | 940 | 1.2 | 1.5 | 4 | 6.4 | 30 |
| EAILP05RDBA2 | 5 | 940 | 1.2 | 1.5 | 2 | 3.5 | 60 |
| EAILP05RDBA3 | 5 | 875 | 1.3 | 1.65 | 4 | 7.8 | 35 |



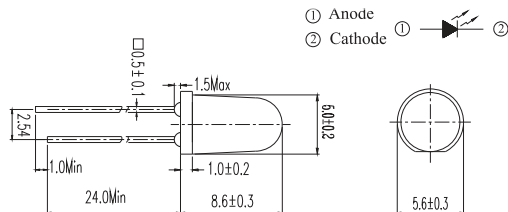
UNIT : mm



| Product | Size (mm) | λ_P (nm) | V_F Typ (V) | V_F Max (V) | I_{e_Min} (mW/sr) | I_{e_Typ} (mW/sr) | Viewing Angle (°) |
|--------------|-----------|------------------|---------------|---------------|----------------------|----------------------|-------------------|
| EAILP05RDDA0 | 5 | 850 | 1.45 | 1.65 | 7.8 | 15 | 30 |
| EAILP05RDDA3 | 5 | 850 | 1.45 | 1.65 | 7.8 | 15 | 30 |
| EAILP05RDDA5 | 5 | 940 | 1.2 | 1.5 | 7.8 | 20 | 20 |
| EAILP05RDDA2 | 5 | 940 | 1.2 | 1.5 | 5.6 | 7.8 | 40 |
| EAILP05Rddb5 | 5 | 940 | 1.2 | 1.5 | 11 | 12 | 40 |
| EAILP05RDDA6 | 5 | 940 | 1.2 | 1.5 | 7.8 | 15 | 20 |
| EAILP05RDDA7 | 5 | 940 | 1.2 | 1.5 | 7.8 | 10 | 40 |
| EAILP05RDDA9 | 5 | 940 | 1.2 | 1.5 | 7.8 | 15 | 30 |
| EAILP05Rddb3 | 5 | 875 | 1.3 | 1.6 | 7.8 | 20 | 20 |
| EAILP05RDDA4 | 5 | 940 | 1.2 | 1.5 | 5.6 | 7.8 | 40 |
| EAILP05RDDA8 | 5 | 940 | 1.2 | 1.5 | 7.8 | 10 | 40 |
| EAILP05Rddb1 | 5 | 940 | 1.2 | 1.5 | 7.8 | 15 | 30 |
| EAILP05Rddb2 | 5 | 940 | 1.2 | 1.5 | 7.8 | 20 | 20 |
| EAILP05Rddb4 | 5 | 875 | 1.3 | 1.65 | 7.8 | 20 | 20 |



UNIT : mm



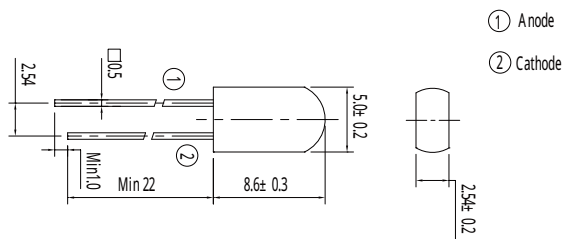
| Product | Size (mm) | λ_P (nm) | V_F Typ (V) | V_F Max (V) | I_{e_Min} (mW/sr) | I_{e_Typ} (mW/sr) | Viewing Angle (°) |
|--------------|-----------|------------------|---------------|---------------|----------------------|----------------------|-------------------|
| EAILP05RDGA1 | 5 | 940 | 1.2 | 1.5 | 15 | 20 | 20 |
| EAILP05RDGA2 | 5 | 875 | 1.3 | 1.6 | 11 | 20 | 20 |
| EAILP05RDGA0 | 5 | 850 | 1.45 | 1.65 | -- | 140 | 18 |

Infrared LED and Silicon Detector | Emitter | Lamp 5mm

Infrared LED and Silicon Detector



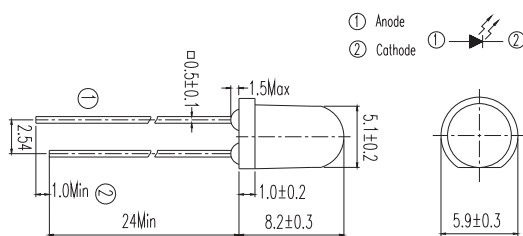
UNIT : mm



| Product | Size (mm) | λ_P (nm) | V_F Typ (V) | V_F Max (V) | I_e Min (mW/sr) | I_e Typ (mW/sr) | Viewing Angle (°) |
|--------------|-----------|------------------|---------------|---------------|-------------------|-------------------|-------------------|
| EAILP05RDIA0 | 5 | 940 | 1.2 | 1.5 | 4 | 7.8 | 25 |



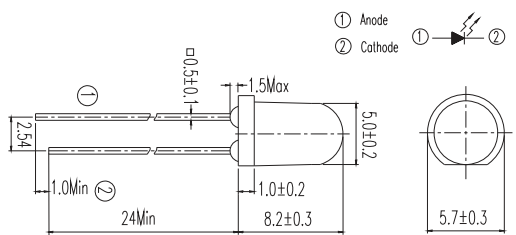
UNIT : mm



| Product | Size (mm) | λ_P (nm) | V_F Typ (V) | V_F Max (V) | I_e Min (mW/sr) | I_e Typ (mW/sr) | Viewing Angle (°) |
|--------------|-----------|------------------|---------------|---------------|-------------------|-------------------|-------------------|
| EAILP05RDLA1 | 5 | 850 | 1.45 | 1.6 | 21 | 40 | 25 |
| EAILP05RDLA0 | 5 | 850 | 1.45 | 1.65 | 7.8 | 15 | 40 |
| EAILP05RDLA2 | 5 | 940 | 1.2 | 1.5 | 5.6 | 8 | 50 |



UNIT : mm



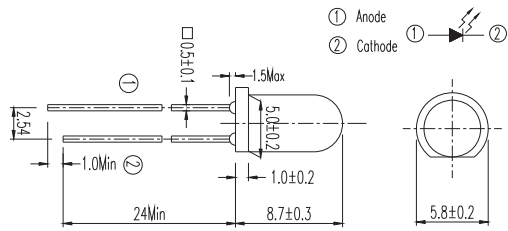
| Product | Size (mm) | λ_P (nm) | V_F Typ (V) | V_F Max (V) | I_e Min (mW/sr) | I_e Typ (mW/sr) | Viewing Angle (°) |
|--------------|-----------|------------------|---------------|---------------|-------------------|-------------------|-------------------|
| EAILP05RDMA1 | 5 | 850 | 1.45 | 1.6 | 7.8 | 20 | 50 |
| EAILP05RDMA0 | 5 | 850 | 1.45 | 1.65 | 7.8 | 15 | 50 |
| EAILP05RDMA2 | 5 | 940 | 1.2 | 1.5 | 4 | 6.5 | 55 |



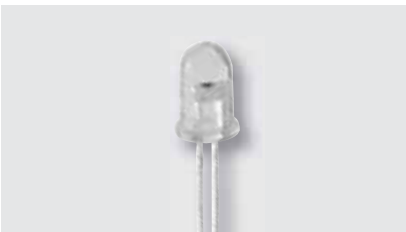
Infrared LED and Silicon Detector | Emitter | Lamp 5mm



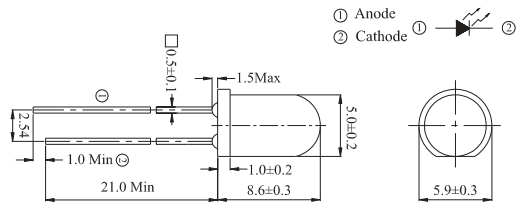
UNIT : mm



| Product | Size (mm) | λ_P (nm) | V_F Typ (V) | V_F Max (V) | I_e Min (mW/sr) | I_e Typ (mW/sr) | Viewing Angle (°) |
|--------------|-----------|------------------|---------------|---------------|-------------------|-------------------|-------------------|
| EAILP05RDNA0 | 5 | 850 | 1.45 | 1.65 | 20 | 30 | 30 |



UNIT : mm



| Product | Size (mm) | λ_P (nm) | V_F Typ (V) | V_F Max (V) | I_e Min (mW/sr) | I_e Typ (mW/sr) | Viewing Angle (°) |
|--------------|-----------|------------------|---------------|---------------|-------------------|-------------------|-------------------|
| EAILP05RDOA0 | 5 | 940 | 1.2 | 1.5 | 7.8 | 11 | 35 |

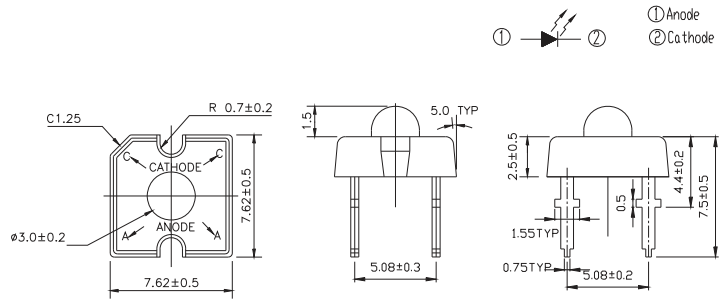
Infrared LED and Silicon Detector

Infrared LED and Silicon Detector | Emitter | Piranha

Infrared LED and Silicon Detector



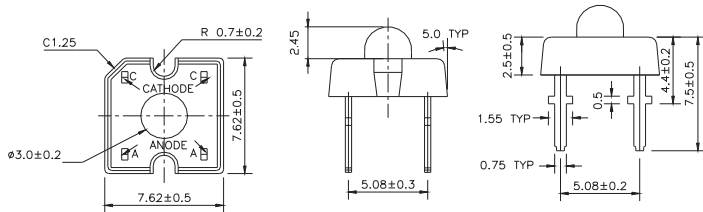
UNIT : mm



| Product | Size (LxWxHmm) | λ_P (nm) | V_F Typ (V) | V_F Max (V) | I_{e_Min} (mW/sr) | I_{e_Typ} (mW/sr) | Viewing Angle (°) |
|--------------|----------------|------------------|---------------|---------------|----------------------|----------------------|-------------------|
| EAILP03SXAA0 | 7.62x7.62x4 | 850 | 1.45 | 1.65 | 5.6 | 10 | 35 |



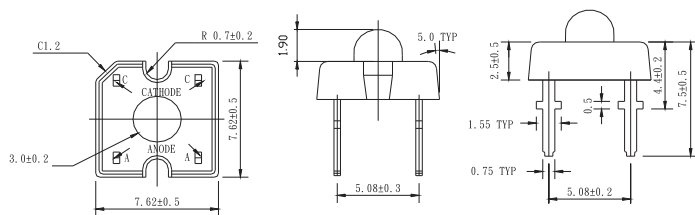
UNIT : mm



| Product | Size (LxWxHmm) | λ_P (nm) | V_F Typ (V) | V_F Max (V) | I_{e_Min} (mW/sr) | I_{e_Typ} (mW/sr) | Viewing Angle (°) |
|--------------|----------------|------------------|---------------|---------------|----------------------|----------------------|-------------------|
| EAILP03SXEA0 | 7.62x7.62x5 | 850 | 1.45 | 1.65 | 15 | 29 | 20 |



UNIT : mm



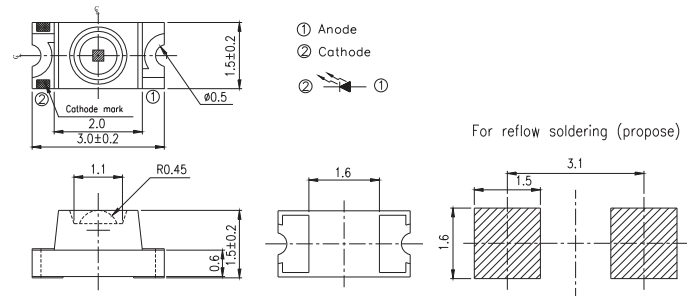
| Product | Size (LxWxHmm) | λ_P (nm) | V_F Typ (V) | V_F Max (V) | I_{e_Min} (mW/sr) | I_{e_Typ} (mW/sr) | Viewing Angle (°) |
|--------------|----------------|------------------|---------------|---------------|----------------------|----------------------|-------------------|
| EAILP03SXCA0 | 7.62x7.62x4.4 | 850 | 1.45 | 1.65 | 7.8 | 17 | 30 |



Infrared LED and Silicon Detector | Emitter | SMD



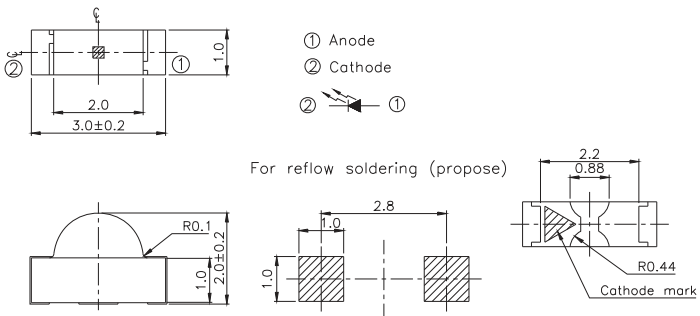
UNIT : mm



| Product | Size (LxWxHmm) | λ_P (nm) | V_F Typ (V) | V_F Max (V) | I_{e_Min} (mW/sr) | I_{e_Typ} (mW/sr) | Viewing Angle (°) |
|-------------|----------------|------------------|---------------|---------------|----------------------|----------------------|-------------------|
| EAIST3015A2 | 3x1.5x1.5 | 850 | 1.45 | 1.65 | 1 | 2 | 75 |
| EAIST3015A0 | 3x1.5x1.5 | 940 | 1.2 | 1.5 | 0.5 | 1.6 | 100 |
| EAIST3015A1 | 3x1.5x1.5 | 940 | 1.2 | 1.5 | 1.25 | 2.25 | 100 |



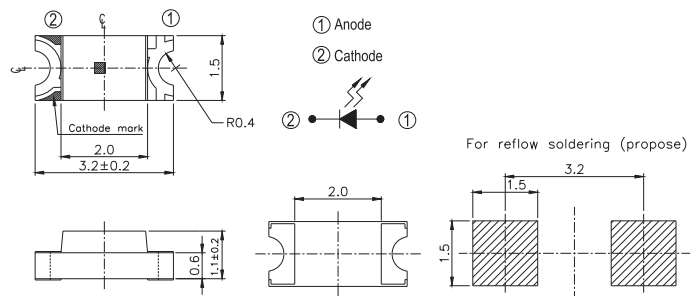
UNIT : mm



| Product | Size (LxWxHmm) | λ_P (nm) | V_F Typ (V) | V_F Max (V) | I_{e_Min} (mW/sr) | I_{e_Typ} (mW/sr) | Viewing Angle (°) |
|-------------|----------------|------------------|---------------|---------------|----------------------|----------------------|-------------------|
| EAISV3010A0 | 3x1x2 | 940 | 1.2 | 1.5 | 0.5 | 0.8 | 160 |
| EAISV3010A1 | 3x1x2 | 875 | 1.3 | 1.6 | 0.5 | 0.9 | 160 |
| EAISV3010A2 | 3x1x2 | 850 | 1.45 | 1.65 | 0.7 | 1.3 | 145 |



UNIT : mm



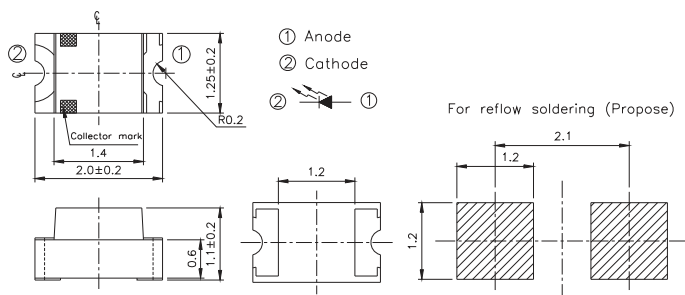
| Product | Size (LxWxHmm) | λ_P (nm) | V_F Typ (V) | V_F Max (V) | I_{e_Min} (mW/sr) | I_{e_Typ} (mW/sr) | Viewing Angle (°) |
|-------------|----------------|------------------|---------------|---------------|----------------------|----------------------|-------------------|
| EAIST3215A0 | 3.2x1.5x1.1 | 940 | 1.2 | 1.5 | 0.2 | 0.8 | 160 |

Infrared LED and Silicon Detector | Emitter | SMD

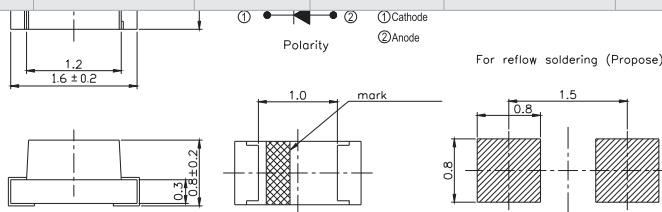
Infrared LED and Silicon Detector



UNIT : mm



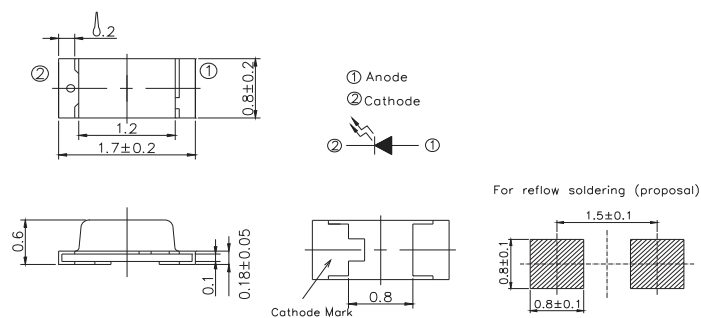
| Product | Size (LxWxHmm) | λ_P (nm) | V_F Typ (V) | V_F Max (V) | I_e Min (mW/sr) | I_e Typ (mW/sr) | Viewing Angle (°) |
|-------------|----------------|------------------|---------------|---------------|-------------------|-------------------|-------------------|
| EAIST2012A0 | 2x1.25x1.1 | 940 | 1.2 | 1.5 | 0.2 | 0.8 | 120 |
| EAIST2012A1 | 2x1.25x1.1 | 850 | 1.4 | 1.7 | 1.6 | 2.1 | 120 |



| Product | Size (LxWxHmm) | λ_P (nm) | V_F Typ (V) | V_F Max (V) | I_e Min (mW/sr) | I_e Typ (mW/sr) | Viewing Angle (°) |
|-------------|----------------|------------------|---------------|---------------|-------------------|-------------------|-------------------|
| EAIST1608A0 | 1.6x0.8x0.8 | 940 | 1.2 | 1.5 | 0.2 | 0.7 | 150 |
| EAIST1608A1 | 1.6x0.8x0.8 | 875 | 1.3 | 1.6 | 0.2 | 0.5 | 145 |
| EAIST1608A2 | 1.6x0.8x0.8 | 850 | 1.4 | 1.7 | 1.0 | 1.85 | 145 |



UNIT : mm



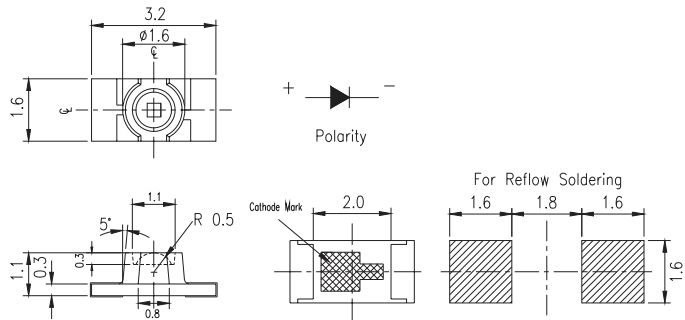
| Product | Size (LxWxHmm) | λ_P (nm) | V_F Typ (V) | V_F Max (V) | I_e Min (mW/sr) | I_e Typ (mW/sr) | Viewing Angle (°) |
|-------------|----------------|------------------|---------------|---------------|-------------------|-------------------|-------------------|
| EAIST1708A1 | 1.7x0.8x0.6 | 940 | 1.2 | 1.5 | 0.2 | 0.6 | 140 |
| EAIST1708A0 | 1.7x0.8x0.6 | 870 | 1.35 | 1.7 | 1 | 1.3 | 140 |



Infrared LED and Silicon Detector | Emitter | SMD



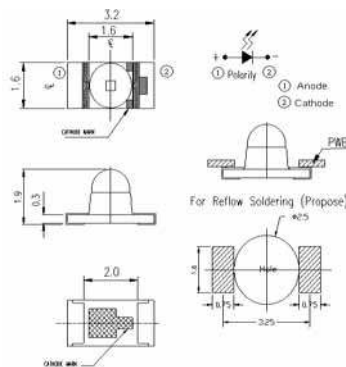
UNIT : mm



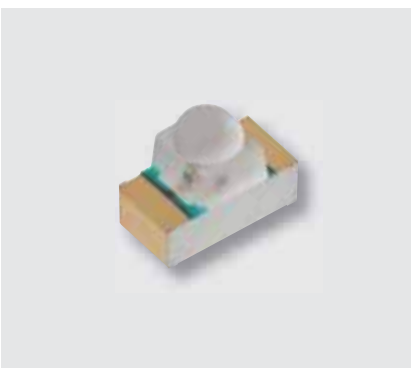
| Product | Size (LxWxHmm) | λ_P (nm) | V_F Typ (V) | V_F Max (V) | I_{e_Min} (mW/sr) | I_{e_Typ} (mW/sr) | Viewing Angle (°) |
|-------------|----------------|------------------|---------------|---------------|----------------------|----------------------|-------------------|
| EAISR3216A0 | 3.2x1.6x1.1 | 940 | 1.2 | 1.5 | 0.5 | 1.5 | 160 |
| EAISR3216A1 | 3.2x1.6x1.1 | 850 | 1.45 | 1.65 | 3.0 | 5.5 | 70 |



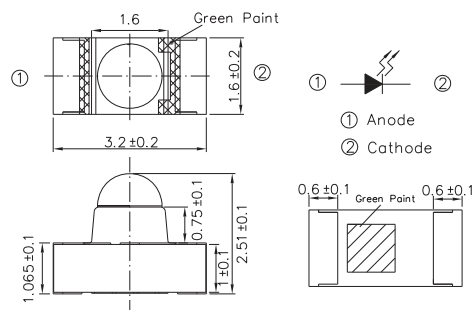
UNIT : mm



| Product | Size (LxWxHmm) | λ_P (nm) | V_F Typ (V) | V_F Max (V) | I_{e_Min} (mW/sr) | I_{e_Typ} (mW/sr) | Viewing Angle (°) |
|-------------|----------------|------------------|---------------|---------------|----------------------|----------------------|-------------------|
| EAIST3216A0 | 3.2x1.6x1.95 | 940 | 1.2 | 1.5 | 1 | 3 | 20 |
| EAIST3216A1 | 3.2x1.6x1.95 | 850 | 1.45 | 1.7 | 10 | 20 | 20 |



UNIT : mm



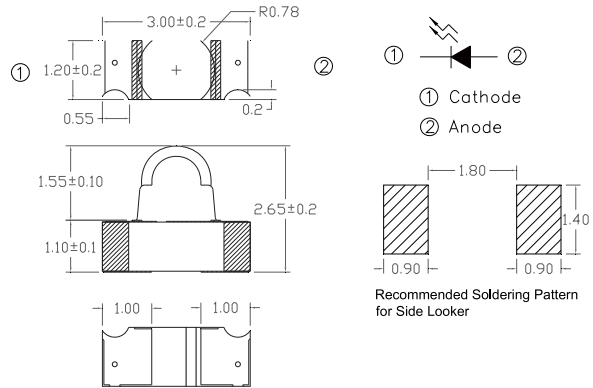
| Product | Size (LxWxHmm) | λ_P (nm) | V_F Typ (V) | V_F Max (V) | I_{e_Min} (mW/sr) | I_{e_Typ} (mW/sr) | Viewing Angle (°) |
|-------------|----------------|------------------|---------------|---------------|----------------------|----------------------|-------------------|
| EAIST3216A2 | 3.2x1.6x2.5 | 940 | 1.2 | 1.5 | 1 | 3.5 | 20 |

Infrared LED and Silicon Detector | Emitter | SMD

Infrared LED and Silicon Detector



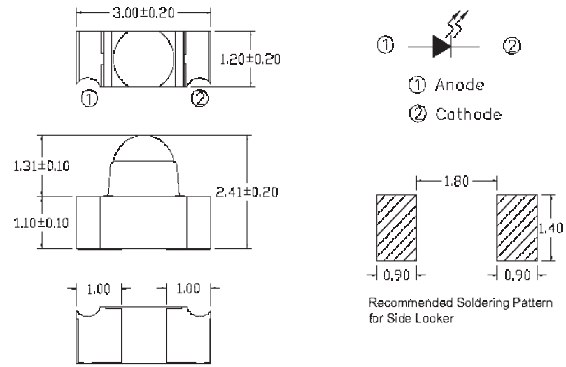
UNIT : mm



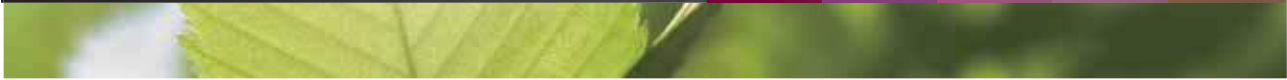
| Product | Size (LxWxHmm) | λ_P (nm) | V_F Typ (V) | V_F Max (V) | I_{e_Min} (mW/sr) | I_{e_Typ} (mW/sr) | Viewing Angle (°) |
|-------------|----------------|------------------|---------------|---------------|----------------------|----------------------|-------------------|
| EAISV3024A0 | 3x2.65x1.2 | 940 | 1.25 | 1.5 | 4.0 | 8.0 | 20 |



UNIT : mm



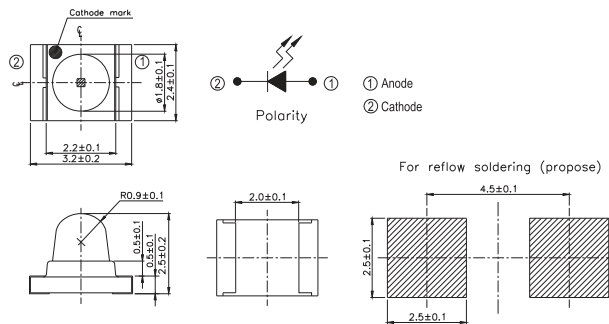
| Product | Size (LxWxHmm) | λ_P (nm) | V_F Typ (V) | V_F Max (V) | I_{e_Min} (mW/sr) | I_{e_Typ} (mW/sr) | Viewing Angle (°) |
|-------------|----------------|------------------|---------------|---------------|----------------------|----------------------|-------------------|
| EAISV3024A1 | 3.0x2.41x1.2 | 940 | 1.3 | 1.6 | 5 | 8.5 | 50 |



Infrared LED and Silicon Detector | Emitter | SMD



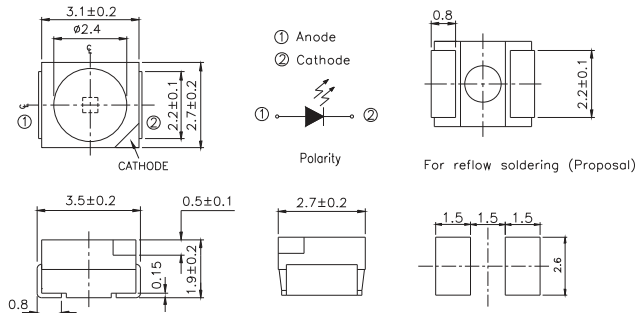
UNIT : mm



| Product | Size (LxWxHmm) | λ_p (nm) | V_F Typ (V) | V_F Max (V) | I_{e_Min} (mW/sr) | I_{e_Typ} (mW/sr) | Viewing Angle (°) |
|-------------|----------------|------------------|---------------|---------------|----------------------|----------------------|-------------------|
| EAIST3224A1 | 3.2x2.4x2.5 | 940 | 1.2 | 1.5 | 1 | 3 | 30 |
| EAIST3224A0 | 3.2x2.4x2.5 | 850 | 1.4 | 1.7 | 7 | 14 | 35 |



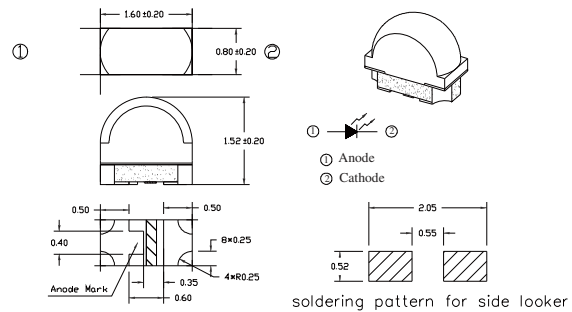
UNIT : mm



| Product | Size (LxWxHmm) | λ_p (nm) | V_F Typ (V) | V_F Max (V) | I_{e_Min} (mW/sr) | I_{e_Typ} (mW/sr) | Viewing Angle (°) |
|-------------|----------------|------------------|---------------|---------------|----------------------|----------------------|-------------------|
| EAIPL3528A2 | 3.5x2.7x1.9 | 850 | 1.45 | 1.65 | 1 | 2 | 120 |
| EAIPL3528A0 | 3.5x2.7x1.9 | 940 | 1.2 | 1.5 | 1 | 1.5 | 120 |
| EAIPL3528A1 | 3.5x2.7x1.9 | 875 | 1.3 | 1.6 | 0.5 | 1.1 | 120 |
| EAIPL3528A3 | 3.5x2.7x1.9 | 850 | 1.4 | 1.7 | 2 | 3 | 120 |



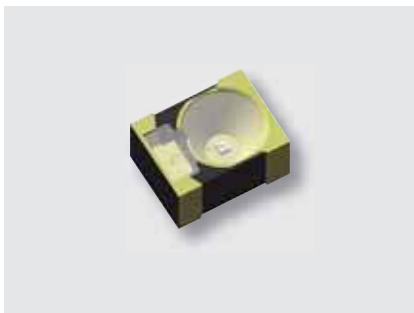
UNIT : mm



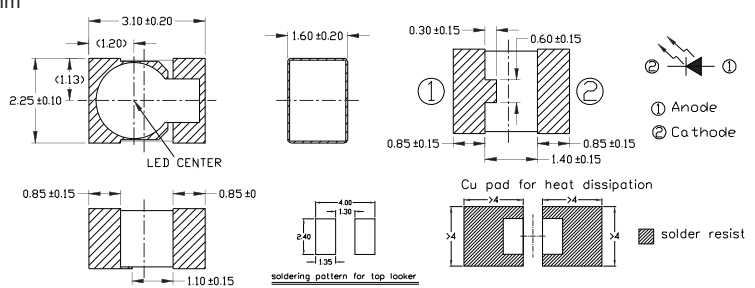
| Product | Size (LxWxHmm) | λ_p (nm) | V_F Typ (V) | V_F Max (V) | I_{e_Min} (mW/sr) | I_{e_Typ} (mW/sr) | Viewing Angle (°) |
|-------------|----------------|------------------|---------------|---------------|----------------------|----------------------|-------------------|
| EAISV1608A0 | 1.6x0.8x1.52 | 850 | 1.4 | 1.7 | 2 | 5 | 100(X) 40(Y) |
| EAISV1608A1 | 1.6x0.8x1.52 | 940 | 1.2 | 1.5 | 6 | 12 | 115(X) 55(Y) |

Infrared LED and Silicon Detector | Emitter | SMD

Infrared LED and Silicon Detector



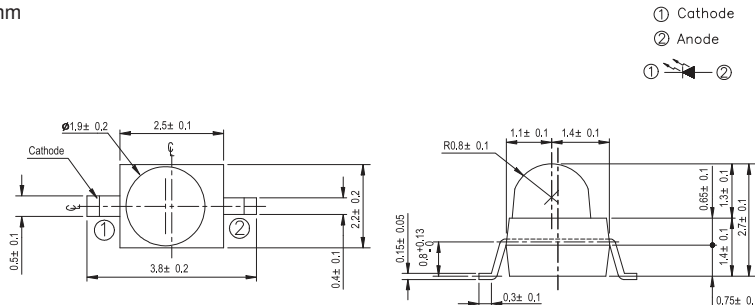
UNIT : mm



| Product | Size (LxWxHmm) | λ_p (nm) | V_F Typ (V) | V_F Max (V) | I_e Min (mW/sr) | I_e Typ (mW/sr) | Viewing Angle (°) |
|-------------|----------------|------------------|---------------|---------------|-------------------|-------------------|-------------------|
| EAIST3122A0 | 3.1x2.25x1.6 | 850 | 1.4 | 1.7 | 25 | 55 | 30 |
| EAIST3122A1 | 3.1x2.25x1.6 | 940 | 1.75 | 2.2 | 40 | 60 | 30 |



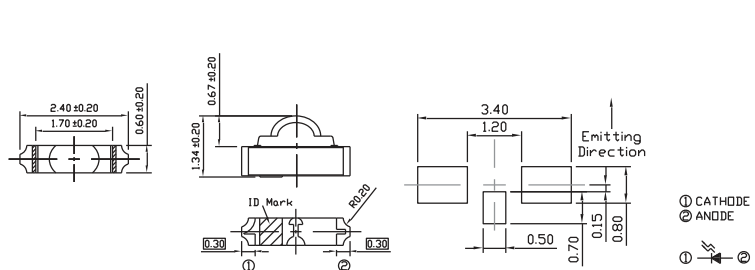
UNIT : mm



| Product | Size (LxWxHmm) | λ_p (nm) | V_F Typ (V) | V_F Max (V) | I_e Min (mW/sr) | I_e Typ (mW/sr) | Viewing Angle (°) |
|-------------|----------------|------------------|---------------|---------------|-------------------|-------------------|-------------------|
| EAISA2522A0 | 2.5x2.2x2.7 | 940 | 1.2 | 1.5 | 3 | 5 | 25 |
| EAISG2522A1 | 2.5x2.2x2.7 | 940 | 1.2 | 1.5 | 3 | 5 | 25 |
| EAISZ2522A0 | 2.5x2.2x2.7 | 940 | 1.2 | 1.5 | 3 | 5 | 25 |
| EAISG2522A0 | 2.5x2.2x2.7 | 940 | 1.2 | 1.5 | 3 | 5 | 25 |



UNIT : mm



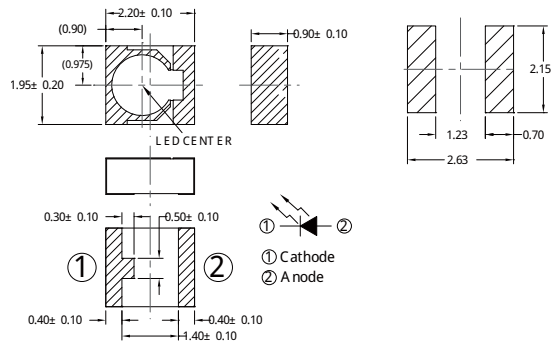
| Product | Size (LxWxHmm) | λ_p (nm) | V_F Typ (V) | V_F Max (V) | I_e Min (mW/sr) | I_e Typ (mW/sr) | Viewing Angle (°) |
|-------------|----------------|------------------|---------------|---------------|-------------------|-------------------|-------------------|
| EAISV2406A0 | 2.4x1.34x0.6 | 940 | 1.2 | 1.4 | 0.5 | 1.2 | 160(X) 120(Y) |



Infrared LED and Silicon Detector | Emitter | SMD



UNIT : mm



| Product | Size (LxWxHmm) | λ_p (nm) | V_F Typ (V) | V_F Max (V) | I_e Min (mW/sr) | I_e Typ (mW/sr) | Viewing Angle (°) |
|-------------|----------------|------------------|---------------|---------------|-------------------|-------------------|-------------------|
| EAIST2219A0 | 2.2x1.95x0.9 | 850 | 1.6 | 2 | 25 | 40 | 40 |

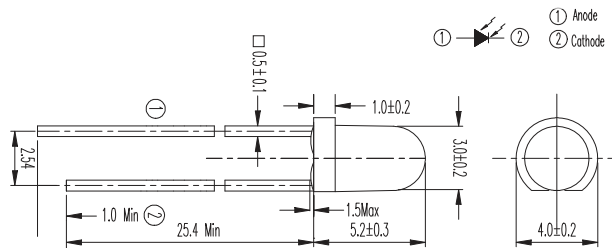
Infrared LED and Silicon Detector

Infrared LED and Silicon Detector | Photo Diode | DIP

Infrared LED and Silicon Detector



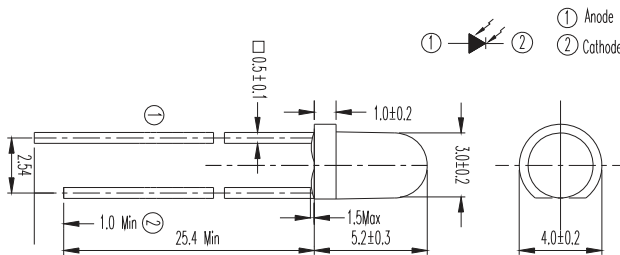
UNIT : mm



| Product | Size (mm) | λ_p (nm) | I_L Min (μA) | I_L Typ (μA) | Rise / Fall Time (ns) | BVR_Min (V) | ID_Max (nA) |
|---------------|-----------|------------------|-----------------------|-----------------------|-----------------------|-------------|-------------|
| EAPDLP03RDAA1 | 3 | 940 | -- | 10 | 10 / 10 | 32 | 10 |



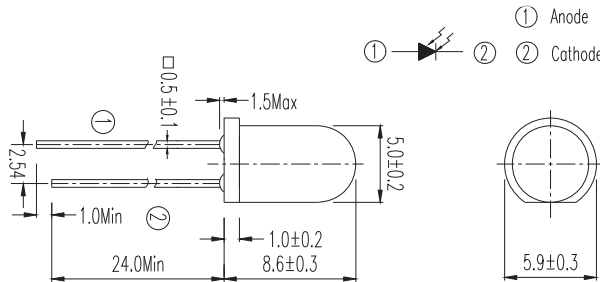
UNIT : mm



| Product | Size (mm) | λ_p (nm) | I_L Min (μA) | I_L Typ (μA) | Rise / Fall Time (ns) | BVR_Min (V) | ID_Max (nA) |
|---------------|-----------|------------------|-----------------------|-----------------------|-----------------------|-------------|-------------|
| EAPDLP03RDAA0 | 3 | 940 | 1 | 3 | 6 / 6 | 32 | 10 |



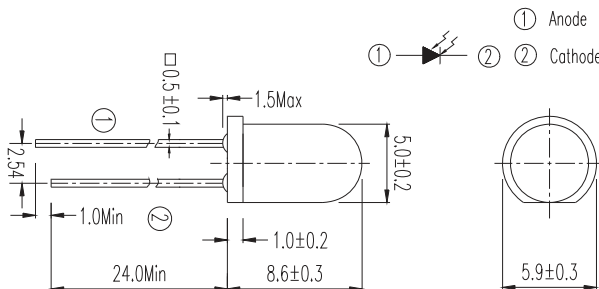
UNIT : mm



| Product | Size (mm) | λ_p (nm) | I_L Min (μA) | I_L Typ (μA) | Rise / Fall Time (ns) | BVR_Min (V) | ID_Max (nA) |
|---------------|-----------|------------------|-----------------------|-----------------------|-----------------------|-------------|-------------|
| EAPDLP05RDDA1 | 5 | 940 | 36 | 40 | 45 / 45 | 32 | 30 |



UNIT : mm



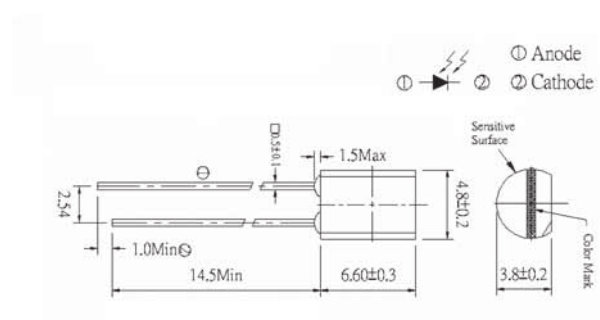
| Product | Size (mm) | λ_p (nm) | I_L Min (μA) | I_L Typ (μA) | Rise / Fall Time (ns) | BVR_Min (V) | ID_Max (nA) |
|---------------|-----------|------------------|-----------------------|-----------------------|-----------------------|-------------|-------------|
| EAPDLP05RDDA0 | 5 | 940 | 25 | 35 | 45 / 45 | 32 | 30 |



Infrared LED and Silicon Detector | Photo Diode | Side Look



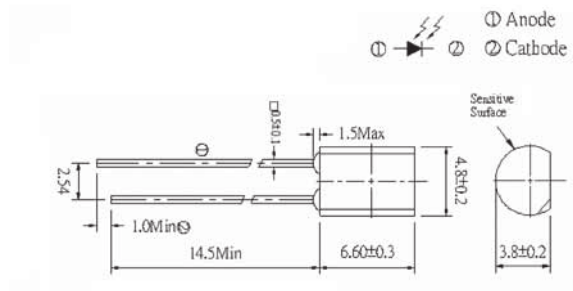
UNIT : mm



| Product | Size (LxWxHmm) | λ_P (nm) | I_L Min (μA) | I_L Typ (μA) | Rise / Fall Time (ns) | BVR_Min.(V) | ID_Max (nA) |
|---------------|----------------|------------------|-----------------------|-----------------------|-----------------------|-------------|-------------|
| EAPDLP04SCAA3 | 4.8x3.8x6.6 | 940 | 10.2 | 18 | 50 / 50 | 32 | 30 |
| EAPDLP04SCAA4 | 4.8x3.8x6.6 | 940 | 10.2 | 18 | 50 / 50 | 32 | 30 |



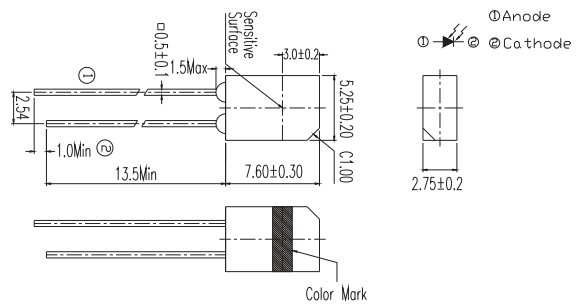
UNIT : mm



| Product | Size (LxWxHmm) | λ_P (nm) | I_L Min (μA) | I_L Typ (μA) | Rise / Fall Time (ns) | BVR_Min.(V) | ID_Max (nA) |
|---------------|----------------|------------------|-----------------------|-----------------------|-----------------------|-------------|-------------|
| EAPDLP04SCAA0 | 4.8x3.8x6.6 | 940 | 10.2 | 18 | 50 / 50 | 32 | 30 |
| EAPDLP04SCAA1 | 4.8x3.8x6.6 | 940 | 2.6 | 4 | 10 / 10 | 32 | 10 |
| EAPDLP04SCAA2 | 4.8x3.8x6.6 | 940 | 10.2 | 18 | 50 / 50 | 32 | 30 |



UNIT : mm



| Product | Size (LxWxHmm) | λ_P (nm) | I_L Min (μA) | I_L Typ (μA) | Rise / Fall Time (ns) | BVR_Min.(V) | ID_Max (nA) |
|---------------|----------------|------------------|-----------------------|-----------------------|-----------------------|-------------|-------------|
| EAPDLP03RRCA0 | 5.2x2.75x7.6 | 940 | 10.2 | 18 | 50 / 50 | 32 | 30 |

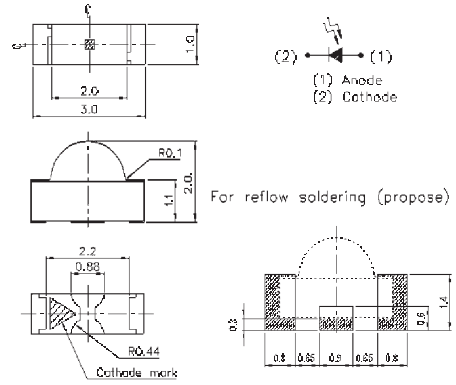
Infrared LED and Silicon Detector

Infrared LED and Silicon Detector | Photo Diode | SMD

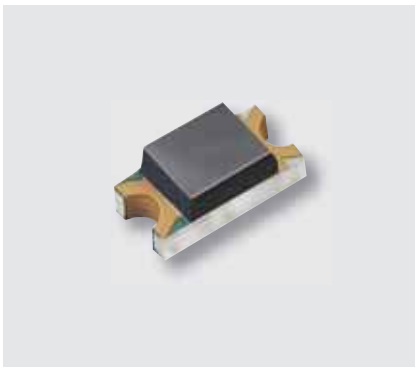
Infrared LED and Silicon Detector



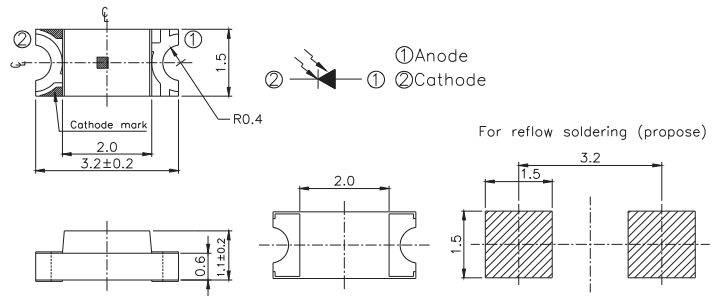
UNIT : mm



| Product | Size (LxWxHmm) | λ_p (nm) | I_L Min (μA) | I_L Typ (μA) | Rise / Fall Time (ns) | BVR_Min.(V) | ID_Max (nA) |
|--------------|----------------|------------------|-----------------------|-----------------------|-----------------------|-------------|-------------|
| EAPDSV3020A0 | 3x3x1 | 940 | 940 | 1.5 | 6 / 6 | 33 | 10 |



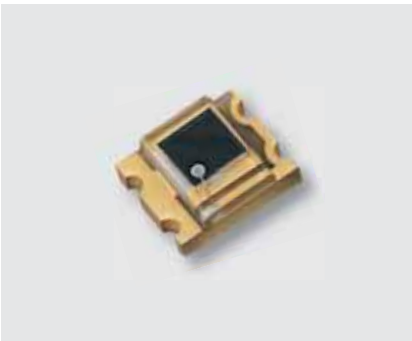
UNIT : mm



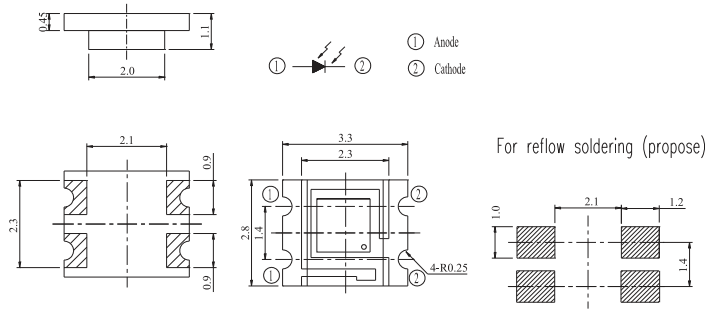
| Product | Size (LxWxHmm) | λ_p (nm) | I_L Min (μA) | I_L Typ (μA) | Rise / Fall Time (ns) | BVR_Min.(V) | ID_Max (nA) |
|--------------|----------------|------------------|-----------------------|-----------------------|-----------------------|-------------|-------------|
| EAPDST3215A0 | 3.2x1.5x1.1 | 940 | 0.2 | 0.8 | 6 / 6 | 32 | 10 |



Infrared LED and Silicon Detector | Photo Diode | SMD



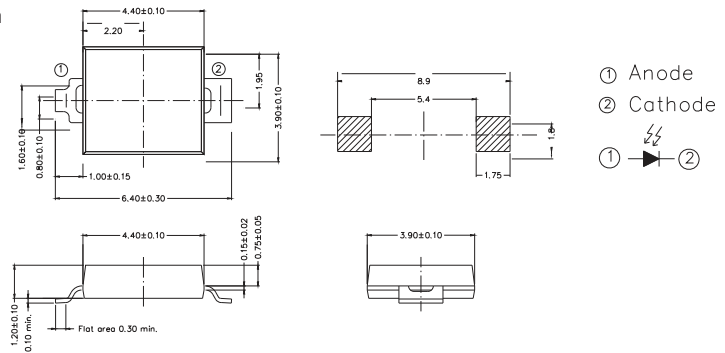
UNIT : mm



| Product | Size (LxWxHmm) | λ_p (nm) | I_L Min (μA) | I_L Typ (μA) | Rise / Fall Time (ns) | BVR_Min.(V) | ID_Max (nA) |
|--------------|----------------|------------------|-----------------------|-----------------------|-----------------------|-------------|-------------|
| EAPDST3227A0 | 3.3x2.8x1.1 | 940 | 4.2 | 6.5 | 10 / 10 | 32 | 10 |



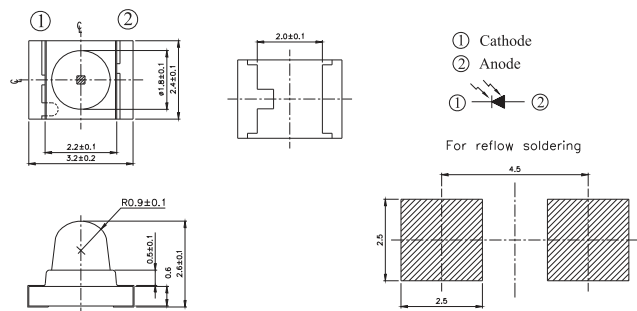
UNIT : mm



| Product | Size (LxWxHmm) | λ_p (nm) | I_L Min (μA) | I_L Typ (μA) | Rise / Fall Time (ns) | BVR_Min.(V) | ID_Max (nA) |
|--------------|----------------|------------------|-----------------------|-----------------------|-----------------------|-------------|-------------|
| EAPDSZ4439A2 | 4.4x3.9x1.2 | 940 | 17 | 25 | 50 / 50 | 32 | 30 |
| EAPDSZ4439A4 | 4.4x3.9x1.2 | 940 | 17 | 25 | 50 / 50 | 32 | 30 |



UNIT : mm



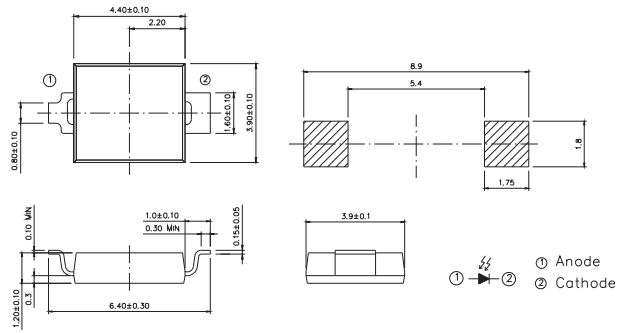
| Product | Size (LxWxHmm) | λ_p (nm) | I_L Min (μA) | I_L Typ (μA) | Rise / Fall Time (ns) | BVR_Min.(V) | ID_Max (nA) |
|--------------|----------------|------------------|-----------------------|-----------------------|-----------------------|-------------|-------------|
| EAPDST3224A2 | 3.2x2.4x2.6 | 940 | 2 | 4 | 6 / 6 | 32 | 10 |
| EAPDST3224A3 | 3.2x2.4x2.6 | 940 | 2 | 5 | 6 / 6 | 32 | 10 |

Infrared LED and Silicon Detector | Photo Diode | SMD

Infrared LED and Silicon Detector



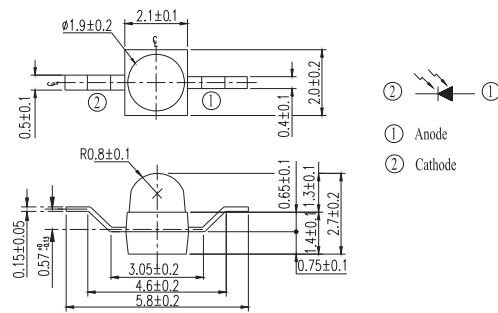
UNIT : mm



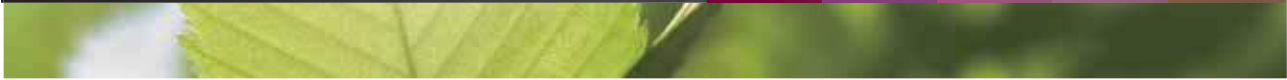
| Product | Size (LxWxHmm) | λ_p (nm) | I_L Min (μA) | I_L Typ (μA) | Rise / Fall Time (ns) | BVR_Min.(V) | ID_Max (nA) |
|--------------|----------------|------------------|-----------------------|-----------------------|-----------------------|-------------|-------------|
| EAPDSZ4439A1 | 4.4x3.9x1.2 | 940 | 17 | 25 | 50 / 50 | 32 | 30 |
| EAPDSZ4439A3 | 4.4x3.9x1.2 | 940 | 17 | 25 | 50 / 50 | 32 | 30 |
| EAPDSZ4439A0 | 4.4x3.9x1.2 | 940 | 17 | 25 | 50 / 50 | 32 | 30 |



UNIT : mm



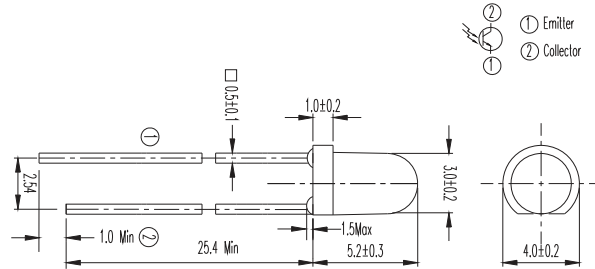
| Product | Size (LxWxHmm) | λ_p (nm) | I_L Min (μA) | I_L Typ (μA) | Rise / Fall Time (ns) | BVR_Min.(V) | ID_Max (nA) |
|--------------|----------------|------------------|-----------------------|-----------------------|-----------------------|-------------|-------------|
| EAPDSZ2120A0 | 2.1x2x2.7 | 940 | 1 | 4 | 6 / 6 | 32 | 10 |



Infrared LED and Silicon Detector | Photo Transistor | DIP



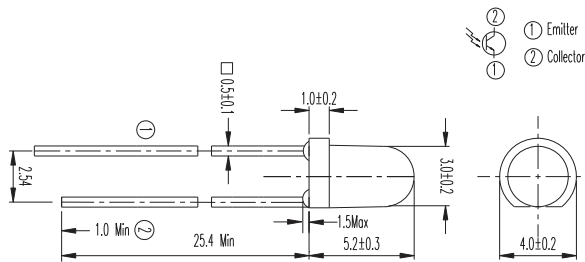
UNIT : mm



| Product | Size (mm) | λ_p (nm) | Rise / Fall Time (μs) | $V_{CE(SAT_Max)}$ (V) | $I_{C(ON)_Min}$ (mA) | $I_{C(ON)_Typ}$ (mA) | $I_{C(ON)_Max}$ (mA) |
|--------------|-----------|------------------|------------------------------|------------------------|-----------------------|-----------------------|-----------------------|
| EAPLP03RDAA0 | 3 | 940 | 15 / 15 | 0.4 | 0.7 | 2 | -- |



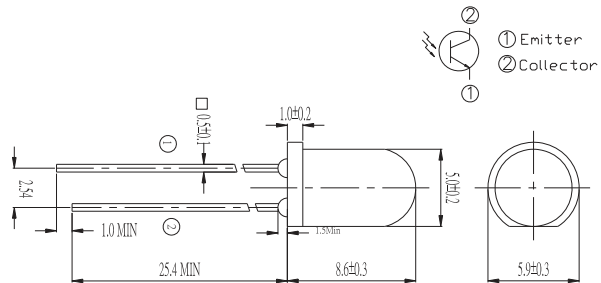
UNIT : mm



| Product | Size (mm) | λ_p (nm) | Rise / Fall Time (μs) | $V_{CE(SAT_Max)}$ (V) | $I_{C(ON)_Min}$ (mA) | $I_{C(ON)_Typ}$ (mA) | $I_{C(ON)_Max}$ (mA) |
|--------------|-----------|------------------|------------------------------|------------------------|-----------------------|-----------------------|-----------------------|
| EAPLP03RDAA1 | 3 | 940 | 15 / 15 | 0.4 | 0.7 | -- | 5.07 |



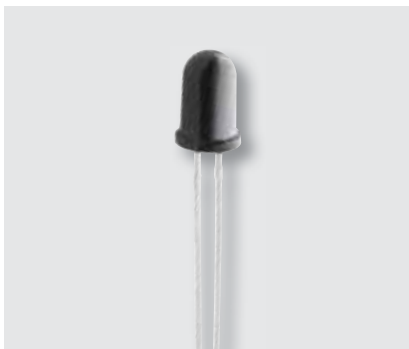
UNIT : mm



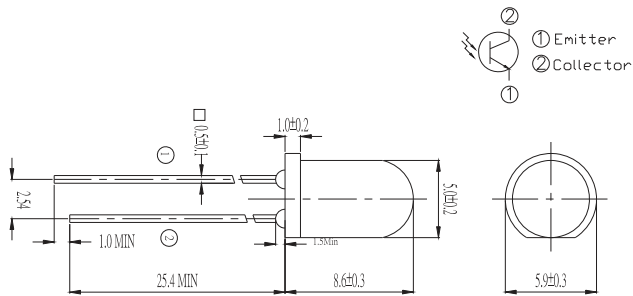
| Product | Size (mm) | λ_p (nm) | Rise / Fall Time (μs) | $V_{CE(SAT_Max)}$ (V) | $I_{C(ON)_Min}$ (mA) | $I_{C(ON)_Typ}$ (mA) | $I_{C(ON)_Max}$ (mA) |
|--------------|-----------|------------------|------------------------------|------------------------|-----------------------|-----------------------|-----------------------|
| EAPLP05RDDA0 | 5 | 940 | 15 / 15 | 0.4 | 0.7 | 4 | -- |

Infrared LED and Silicon Detector | Photo Transistor | DIP

Infrared LED and Silicon Detector



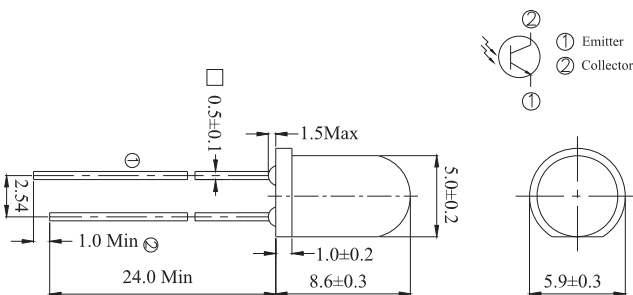
UNIT : mm



| Product | Size (mm) | λ_P (nm) | Rise / Fall Time (μ s) | $V_{CE(SAT_Max)}$ (V) | $I_{C(ON_Min)}$ (mA) | $I_{C(ON_Typ)}$ (mA) | $I_{C(ON_Max)}$ (mA) |
|--------------|-----------|------------------|-----------------------------|------------------------|-----------------------|-----------------------|-----------------------|
| EAPLP05RDDA1 | 5 | 940 | 15 / 15 | 0.4 | 0.7 | 3 | -- |



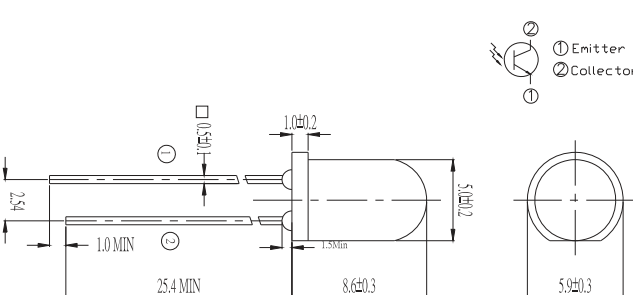
UNIT : mm



| Product | Size (mm) | λ_P (nm) | Rise / Fall Time (μ s) | $V_{CE(SAT_Max)}$ (V) | $I_{C(ON_Min)}$ (mA) | $I_{C(ON_Typ)}$ (mA) | $I_{C(ON_Max)}$ (mA) |
|--------------|-----------|------------------|-----------------------------|------------------------|-----------------------|-----------------------|-----------------------|
| EAPLP05RDEA0 | 5 | 940 | 15 / 15 | 0.4 | 1.77 | 3.5 | -- |



UNIT : mm

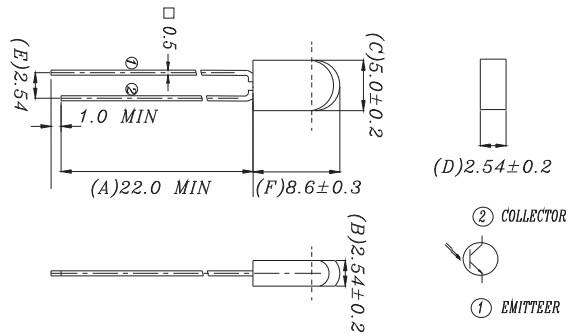


| Product | Size (mm) | λ_P (nm) | Rise / Fall Time (μ s) | $V_{CE(SAT_Max)}$ (V) | $I_{C(ON_Min)}$ (mA) | $I_{C(ON_Typ)}$ (mA) | $I_{C(ON_Max)}$ (mA) |
|--------------|-----------|------------------|-----------------------------|------------------------|-----------------------|-----------------------|-----------------------|
| EAPLP05RDEA1 | 5 | 940 | 15 / 15 | 0.4 | 0.7 | 2 | -- |

Infrared LED and Silicon Detector | Photo Transistor | DIP



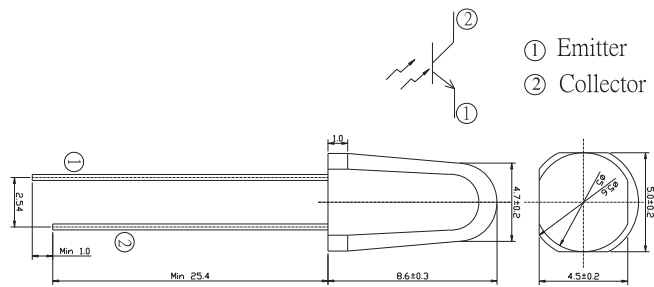
UNIT : mm



| Product | Size (mm) | λ_P (nm) | Rise / Fall Time (μs) | $V_{CE(SAT_Max)}$ (V) | $I_{C(ON)_Min}$ (mA) | $I_{C(ON)_Typ}$ (mA) | $I_{C(ON)_Max}$ (mA) |
|--------------|-----------|------------------|------------------------------|------------------------|-----------------------|-----------------------|-----------------------|
| EAPLP05RDPA0 | 5 | 940 | 15 / 15 | 0.4 | 0.7 | 1.2 | -- |



UNIT : mm

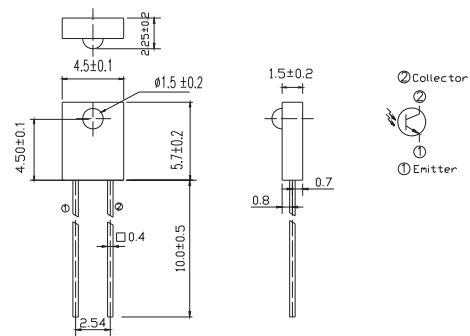


| Product | Size (mm) | λ_P (nm) | Rise / Fall Time (μs) | $V_{CE(SAT_Max)}$ (V) | $I_{C(ON)_Min}$ (mA) | $I_{C(ON)_Typ}$ (mA) | $I_{C(ON)_Max}$ (mA) |
|--------------|-----------|------------------|------------------------------|------------------------|-----------------------|-----------------------|-----------------------|
| EAPLP05RDQA0 | 5 | 940 | 15 / 15 | 0.4 | 1.77 | 4 | -- |

Infrared LED and Silicon Detector | Photo Transistor | Side Look



UNIT : mm



| Product | Size (LxWxHmm) | λ_P (nm) | Rise / Fall Time (μs) | $V_{CE(SAT_Max)}$ (V) | $I_{C(ON)_Min}$ (mA) | $I_{C(ON)_Typ}$ (mA) | $I_{C(ON)_Max}$ (mA) |
|--------------|----------------|------------------|------------------------------|------------------------|-----------------------|-----------------------|-----------------------|
| EAPLP04RRAA1 | 4.5x2.25x5.7 | 940 | 15 / 15 | 0.4 | 0.8 | -- | 5 |
| EAPLP04RRAA0 | 4.5x2.25x5.7 | 940 | 15 / 15 | 0.4 | 0.8 | -- | 5 |

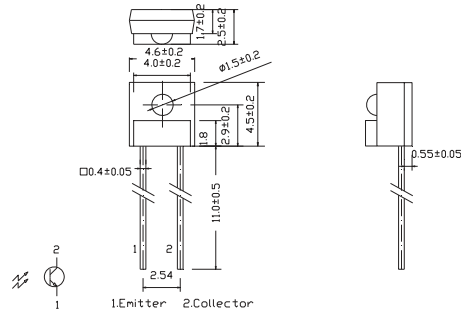
Infrared LED and Silicon Detector

Infrared LED and Silicon Detector | Photo Transistor | Side Look

Infrared LED and Silicon Detector



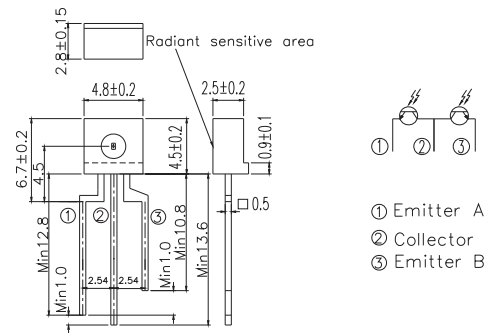
UNIT : mm



| Product | Size (LxWxHmm) | λ_P (nm) | Rise / Fall Time (μ s) | $V_{CE(SAT)}_{Max}$ (V) | $I_{C(ON)}_{Min}$ (mA) | $I_{C(ON)}_{Typ}$ (mA) | $I_{C(ON)}_{Max}$ (mA) |
|--------------|----------------|------------------|-----------------------------|-------------------------|------------------------|------------------------|------------------------|
| EAPLP04RRKA0 | 4.6x2.5x4.5 | 940 | 15 / 15 | 0.4 | 0.53 | -- | 3.41 |
| EAPLP04RRKA1 | 4.6x2.5x4.5 | 940 | 15 / 15 | 0.4 | 0.53 | -- | 3.41 |



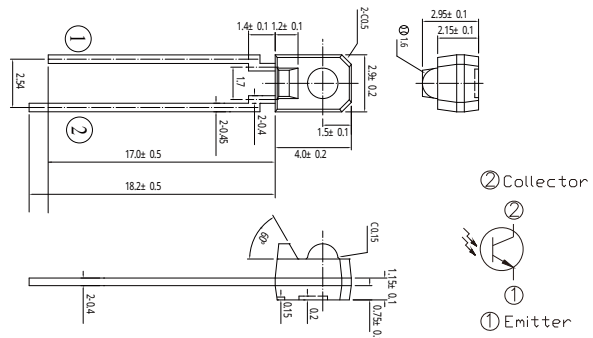
UNIT : mm



| Product | Size (LxWxHmm) | λ_P (nm) | Rise / Fall Time (μ s) | $V_{CE(SAT)}_{Max}$ (V) | $I_{C(ON)}_{Min}$ (mA) | $I_{C(ON)}_{Typ}$ (mA) | $I_{C(ON)}_{Max}$ (mA) |
|--------------|----------------|------------------|-----------------------------|-------------------------|------------------------|------------------------|------------------------|
| EAPLP04RRLA1 | 4.8x2.8x4.5 | 940 | 15 / 15 | 0.4 | 0.129 | -- | 1.085 |
| EAPLP04RRAA3 | 4.8x2.8x4.5 | 940 | 15 / 15 | 0.4 | 0.129 | -- | 1.085 |
| EAPLP04RRAA2 | 4.8x2.8x4.5 | 940 | 15 / 15 | 0.4 | 0.129 | -- | 1.085 |



UNIT : mm



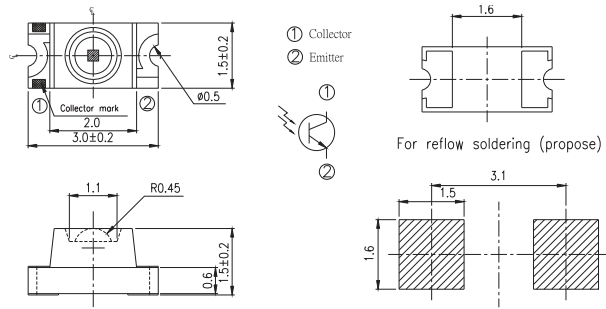
| Product | Size (LxWxHmm) | λ_P (nm) | Rise / Fall Time (μ s) | $V_{CE(SAT)}_{Max}$ (V) | $I_{C(ON)}_{Min}$ (mA) | $I_{C(ON)}_{Typ}$ (mA) | $I_{C(ON)}_{Max}$ (mA) |
|--------------|----------------|------------------|-----------------------------|-------------------------|------------------------|------------------------|------------------------|
| EAPLP02RRHA0 | 2.9x2.9x4 | 940 | 15 / 15 | 0.4 | 1.59 | -- | 3.41 |



Infrared LED and Silicon Detector | Photo Transistor | SMD



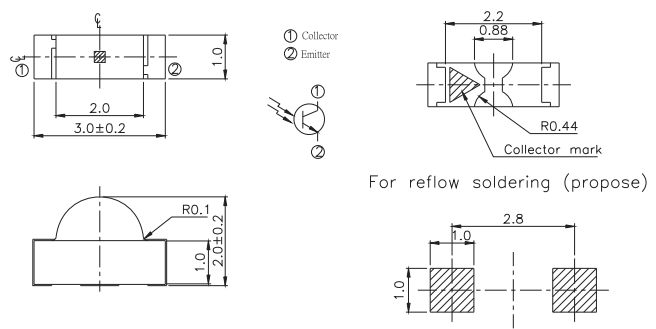
UNIT : mm



| Product | Size (LxWxHmm) | λ_P (nm) | Rise / Fall Time (μs) | $V_{CE(SAT_Max)}$ (V) | $I_{C(ON)_Min}$ (mA) | $I_{C(ON)_Typ}$ (mA) | $I_{C(ON)_Max}$ (mA) |
|-------------|----------------|------------------|------------------------------|------------------------|-----------------------|-----------------------|-----------------------|
| EAPST3015A0 | 3x1.5x1.5 | 940 | 15 / 15 | 0.4 | 0.3 | 0.8 | -- |



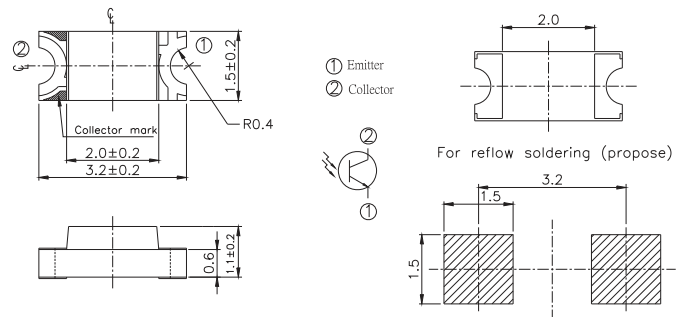
UNIT : mm



| Product | Size (LxWxHmm) | λ_P (nm) | Rise / Fall Time (μs) | $V_{CE(SAT_Max)}$ (V) | $I_{C(ON)_Min}$ (mA) | $I_{C(ON)_Typ}$ (mA) | $I_{C(ON)_Max}$ (mA) |
|-------------|----------------|------------------|------------------------------|------------------------|-----------------------|-----------------------|-----------------------|
| EAPSV3010A1 | 3x1x2 | 940 | 15 / 15 | 0.4 | 0.3 | 1.14 | -- |
| EAPSV3010A0 | 3x1x2 | 940 | 15 / 15 | 0.4 | 0.3 | 1.14 | -- |



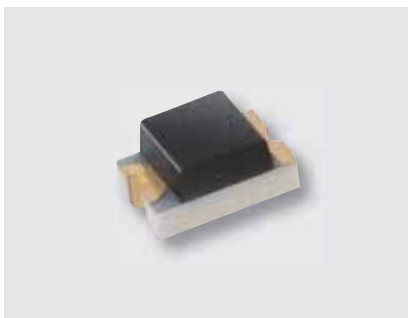
UNIT : mm



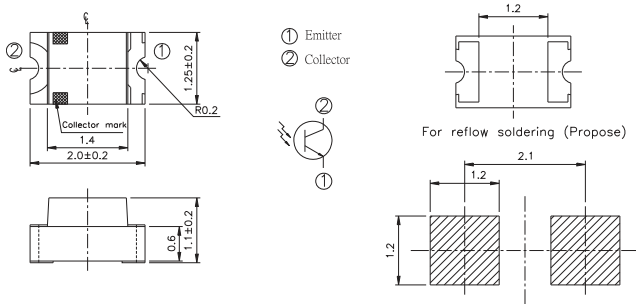
| Product | Size (LxWxHmm) | λ_P (nm) | Rise / Fall Time (μs) | $V_{CE(SAT_Max)}$ (V) | $I_{C(ON)_Min}$ (mA) | $I_{C(ON)_Typ}$ (mA) | $I_{C(ON)_Max}$ (mA) |
|-------------|----------------|------------------|------------------------------|------------------------|-----------------------|-----------------------|-----------------------|
| EAPST3215A1 | 3.2x1.5x1.1 | 940 | 15 / 15 | 0.4 | 0.1 | 0.3 | -- |
| EAPST3215A0 | 3.2x1.5x1.1 | 940 | 15 / 15 | 0.4 | 0.1 | 0.3 | -- |

Infrared LED and Silicon Detector

Infrared LED and Silicon Detector | Photo Transistor | SMD



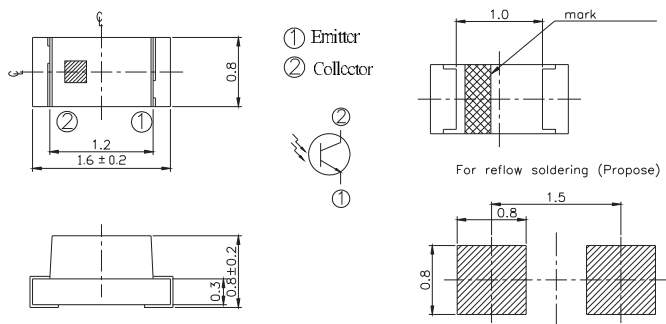
UNIT : mm



| Product | Size (LxWxHmm) | λ_P (nm) | Rise / Fall Time (μ s) | $V_{CE(SAT_Max)}$ (V) | $I_{C(ON)_Min}$ (mA) | $I_{C(ON)_Typ}$ (mA) | $I_{C(ON)_Max}$ (mA) |
|-------------|----------------|------------------|-----------------------------|------------------------|-----------------------|-----------------------|-----------------------|
| EAPST2012A1 | 2x1.25x1.1 | 940 | 15 / 15 | 0.4 | 0.1 | 0.65 | -- |
| EAPST2012A0 | 2x1.25x1.1 | 940 | 15 / 15 | 0.4 | 0.3 | 1 | -- |



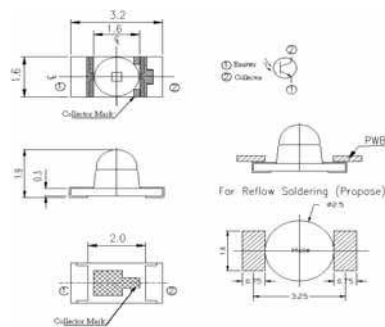
UNIT : mm



| Product | Size (LxWxHmm) | λ_P (nm) | Rise / Fall Time (μ s) | $V_{CE(SAT_Max)}$ (V) | $I_{C(ON)_Min}$ (mA) | $I_{C(ON)_Typ}$ (mA) | $I_{C(ON)_Max}$ (mA) |
|-------------|----------------|------------------|-----------------------------|------------------------|-----------------------|-----------------------|-----------------------|
| EAPST1608A1 | 1.6x0.8x0.8 | 940 | 15 / 15 | 0.4 | 0.3 | 0.6 | -- |
| EAPST1608A0 | 1.6x0.8x0.8 | 940 | 15 / 15 | 0.4 | 0.3 | 0.6 | -- |



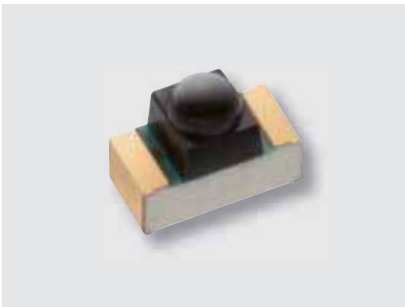
UNIT : mm



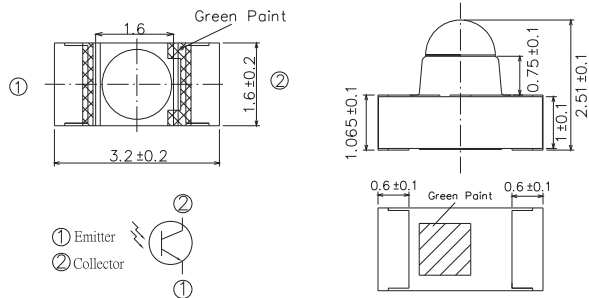
| Product | Size (LxWxHmm) | λ_P (nm) | Rise / Fall Time (μ s) | $V_{CE(SAT_Max)}$ (V) | $I_{C(ON)_Min}$ (mA) | $I_{C(ON)_Typ}$ (mA) | $I_{C(ON)_Max}$ (mA) |
|-------------|----------------|------------------|-----------------------------|------------------------|-----------------------|-----------------------|-----------------------|
| EAPSR3216A1 | 3.2x1.6x1.85 | 940 | 15 / 15 | 0.4 | -- | 1 | -- |
| EAPSR3216A0 | 3.2x1.6x1.85 | 940 | 15 / 15 | 0.4 | 0.3 | 2.6 | -- |



Infrared LED and Silicon Detector | Photo Transistor | SMD



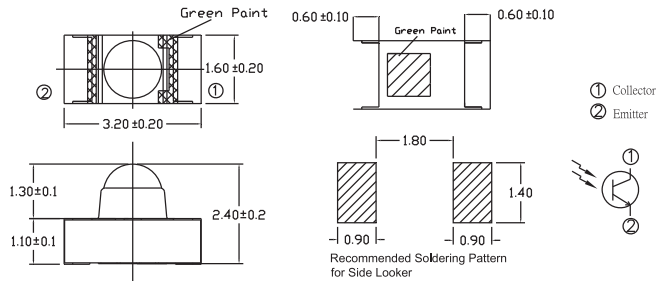
UNIT : mm



| Product | Size (LxWxHmm) | λ_P (nm) | Rise / Fall Time (μs) | $V_{CE(SAT_Max)}$ (V) | $I_{C(ON)_Min}$ (mA) | $I_{C(ON)_Typ}$ (mA) | $I_{C(ON)_Max}$ (mA) |
|-------------|----------------|------------------|------------------------------|------------------------|-----------------------|-----------------------|-----------------------|
| EAPST3216A0 | 3.2x1.6x2.5 | 940 | 15 / 15 | 0.4 | -- | 1 | -- |



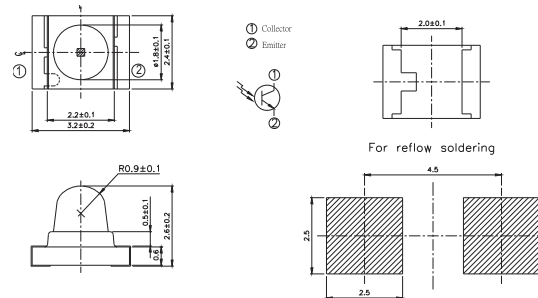
UNIT : mm



| Product | Size (LxWxHmm) | λ_P (nm) | Rise / Fall Time (μs) | $V_{CE(SAT_Max)}$ (V) | $I_{C(ON)_Min}$ (mA) | $I_{C(ON)_Typ}$ (mA) | $I_{C(ON)_Max}$ (mA) |
|-------------|----------------|------------------|------------------------------|------------------------|-----------------------|-----------------------|-----------------------|
| EAPSV3224A0 | 3.2x1.6x2.4 | 940 | 15/15 | 0.4 | 1.14 | 3 | -- |



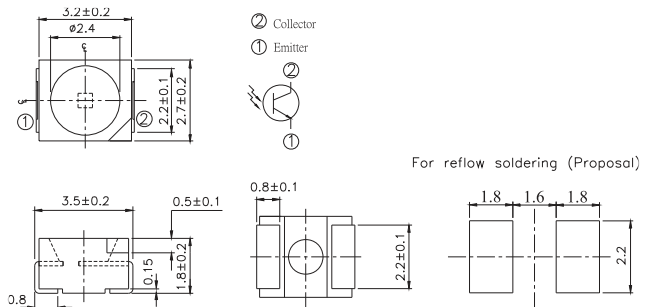
UNIT : mm



| Product | Size (LxWxHmm) | λ_P (nm) | Rise / Fall Time (μs) | $V_{CE(SAT_Max)}$ (V) | $I_{C(ON)_Min}$ (mA) | $I_{C(ON)_Typ}$ (mA) | $I_{C(ON)_Max}$ (mA) |
|-------------|----------------|------------------|------------------------------|------------------------|-----------------------|-----------------------|-----------------------|
| EAPST3224A0 | 3.2x2.4x2.6 | 940 | 15 / 15 | 0.4 | 1.7 | 3 | -- |



UNIT : mm

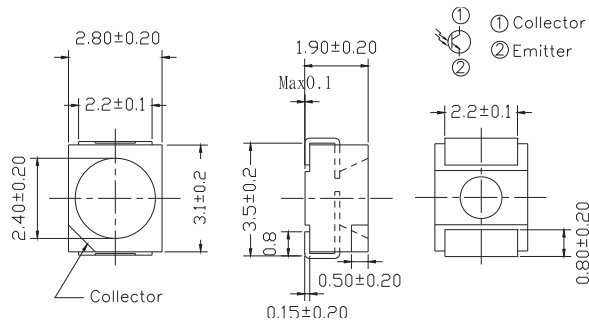


| Product | Size (LxWxHmm) | λ_P (nm) | Rise / Fall Time (μs) | $V_{CE(SAT_Max)}$ (V) | $I_{C(ON)_Min}$ (mA) | $I_{C(ON)_Typ}$ (mA) | $I_{C(ON)_Max}$ (mA) |
|-------------|----------------|------------------|------------------------------|------------------------|-----------------------|-----------------------|-----------------------|
| EAPPL3527A0 | 3.5x2.7x1.8 | 940 | 15 / 15 | 0.4 | 0.016 | -- | 0.08 |

Infrared LED and Silicon Detector | Photo Transistor | SMD



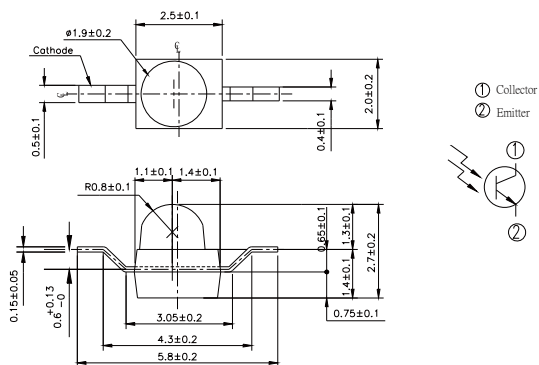
UNIT : mm



| Product | Size (LxWxHmm) | λ_P (nm) | Rise / Fall Time (μs) | $V_{CE(SAT_Max)}$ (V) | $I_{C(ON)_Min}$ (mA) | $I_{C(ON)_Typ}$ (mA) | $I_{C(ON)_Max}$ (mA) |
|-------------|----------------|------------------|------------------------------|------------------------|-----------------------|-----------------------|-----------------------|
| EAPPL3527A1 | 3.5x2.8x1.9 | 940 | 15 / 15 | 0.4 | 0.3 | 1 | -- |



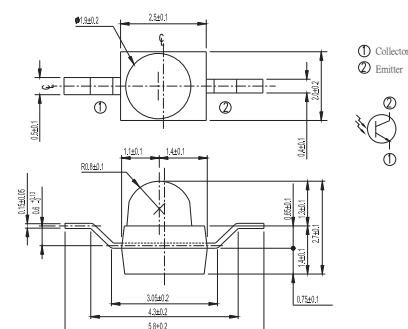
UNIT : mm



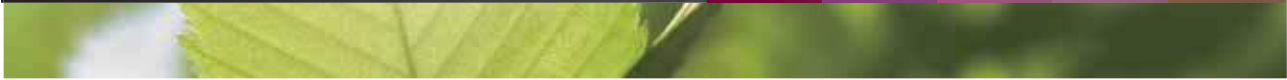
| Product | Size (LxWxHmm) | λ_P (nm) | Rise / Fall Time (μs) | $V_{CE(SAT_Max)}$ (V) | $I_{C(ON)_Min}$ (mA) | $I_{C(ON)_Typ}$ (mA) | $I_{C(ON)_Max}$ (mA) |
|-------------|----------------|------------------|------------------------------|------------------------|-----------------------|-----------------------|-----------------------|
| EAPST2520A0 | 2.5x2x2.7 | 940 | 15 / 15 | 0.4 | 1 | 3 | -- |
| EAPSZ2520A1 | 2.5x2x2.7 | 940 | 15 / 15 | 0.4 | 1 | 3 | -- |
| EAPSY2520A2 | 2.5x2x2.7 | 940 | 15 / 15 | 0.4 | 1 | 3 | -- |



UNIT : mm



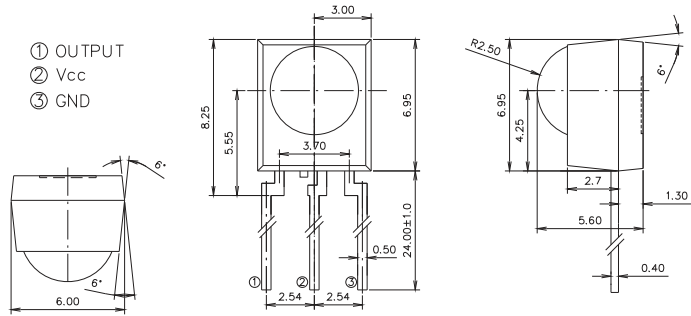
| Product | Size (LxWxHmm) | λ_P (nm) | Rise / Fall Time (μs) | $V_{CE(SAT_Max)}$ (V) | $I_{C(ON)_Min}$ (mA) | $I_{C(ON)_Typ}$ (mA) | $I_{C(ON)_Max}$ (mA) |
|-------------|----------------|------------------|------------------------------|------------------------|-----------------------|-----------------------|-----------------------|
| EAPST2520A1 | 2.5x2x2.7 | 940 | 15 / 15 | 0.4 | 1 | 1.5 | -- |
| EAPSZ2520A0 | 2.5x2x2.7 | 940 | 15 / 15 | 0.4 | 1 | 1.5 | -- |
| EAPSG2520A0 | 2.5x2x2.7 | 940 | 15 / 15 | 0.4 | 1 | 1.5 | -- |



Infrared Receiver Module | Short Burst | DIP-Vo – Vcc – GND



UNIT : mm

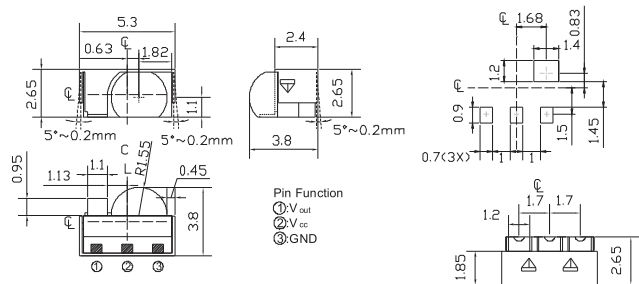


| Product | Size (LxWxHmm) | λ_p (nm) | Carrier Freq. (KHz) | Supply Voltage (V) | I_{CC} Typ (mA) | L_{Center} (m) | L_{45} (m) |
|----------|----------------|------------------|---------------------|--------------------|-------------------|------------------|--------------|
| EAIRMBA0 | 8.25x6x5.6 | 940 | 36 | 3~5 | 0.4 | 14 | 6 |
| EAIRMBA2 | 8.25x6x5.6 | 940 | 38 | 3~5 | 0.4 | 14 | 6 |

Infrared Receiver Module | Short Burst | SMD



UNIT : mm



| Product | Size (LxWxHmm) | λ_p (nm) | Carrier Freq. (KHz) | Supply Voltage (V) | I_{CC} Typ (mA) | L_{Center} (m) | L_{45} (m) |
|----------|----------------|------------------|---------------------|--------------------|-------------------|------------------|--------------|
| EAIRMLA0 | 5.3x3.8x2.65 | 940 | 36 | 3~5 | 0.4 | 8 | 5 |
| EAIRMLA1 | 5.3x3.8x2.65 | 940 | 38 | 3~5 | 0.4 | 8 | 5 |

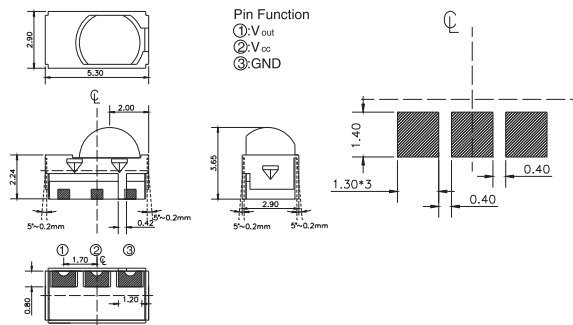
Infrared Receiver Module

Infrared Receiver Module | Short Burst | SMD

Infrared Receiver Module



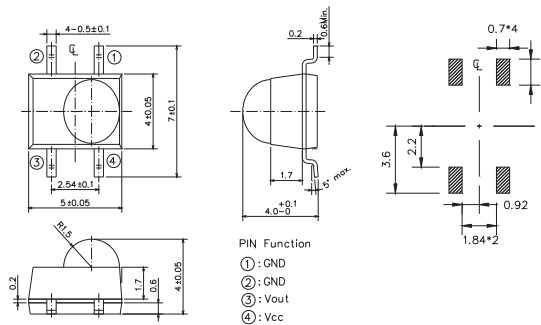
UNIT : mm



| Product | Size (LxWxHmm) | λ_p (nm) | Carrier Freq. (KHz) | Supply Voltage (V) | I _{CC} Typ (mA) | L _{Center} (m) | L ₄₅ (m) |
|----------|----------------|------------------|---------------------|--------------------|--------------------------|-------------------------|---------------------|
| EAIRMHA0 | 5.3x2.9x3.65 | 940 | 36 | 3~5 | 0.4 | 8 | 5 |
| EAIRMHA1 | 5.3x2.9x3.65 | 940 | 38 | 3~5 | 0.4 | 8 | 5 |



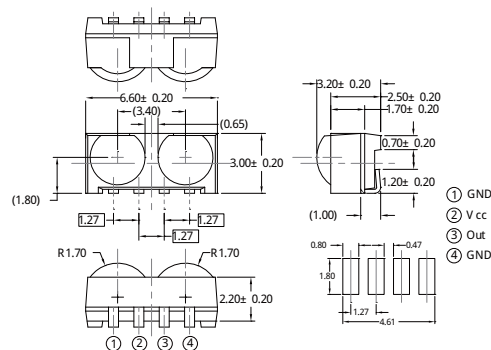
UNIT : mm



| Product | Size (LxWxHmm) | λ_p (nm) | Carrier Freq. (KHz) | Supply Voltage (V) | I _{CC} Typ (mA) | L _{Center} (m) | L ₄₅ (m) |
|----------|----------------|------------------|---------------------|--------------------|--------------------------|-------------------------|---------------------|
| EAIRMIA0 | 5x4x4 | 940 | 36 | 3~5 | 0.4 | 8 | 5 |



UNIT : mm



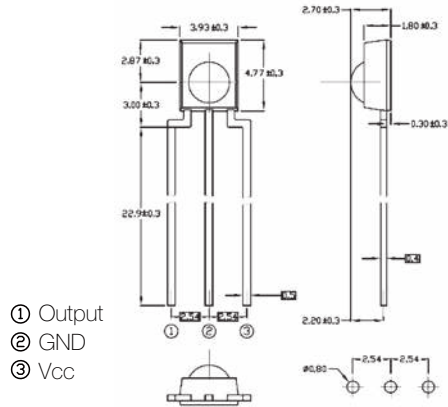
| Product | Size (LxWxHmm) | λ_p (nm) | Carrier Freq. (KHz) | Supply Voltage (V) | I _{CC} Typ (mA) | L _{Center} (m) | L ₄₅ (m) |
|----------|----------------|------------------|---------------------|--------------------|--------------------------|-------------------------|---------------------|
| EAIRMJA1 | 6.6x3x3.2 | 940 | 38 | 3~5 | 0.4 | 8 | 5 |



Infrared Receiver Module | Standard Burst | DIP-Vo – GND – Vcc



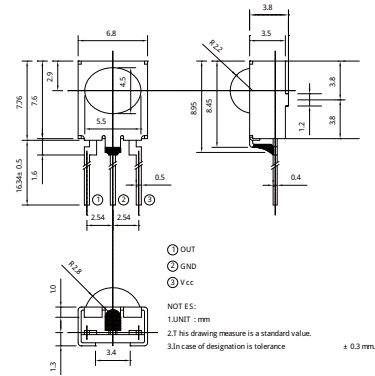
UNIT : mm



| Product | Size (LxWxHmm) | λ_p (nm) | Carrier Freq. (KHz) | Supply Voltage (V) | I_{CC} Typ (mA) | L_{Center} (m) | L_{45} (m) |
|----------|----------------|------------------|---------------------|--------------------|-------------------|------------------|--------------|
| EAIRMCA0 | 6.27x4.36x3.1 | 940 | 38 | 3~5 | 0.4 | 8 | 4 |
| EAIRMCA1 | 6.27x4.36x3.1 | 940 | 38 | 3~5 | 1 | 8 | 4 |
| EAIRMCA2 | 6.27x4.36x3.1 | 940 | 40 | 3~5 | 0.4 | 8 | 4 |



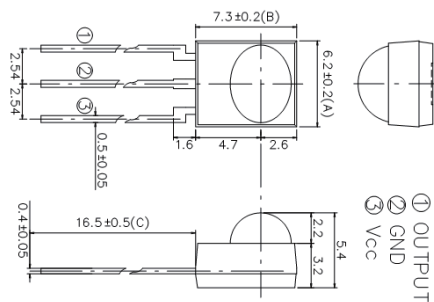
UNIT : mm



| Product | Size (LxWxHmm) | λ_p (nm) | Carrier Freq. (KHz) | Supply Voltage (V) | I_{CC} Typ (mA) | L_{Center} (m) | L_{45} (m) |
|------------|----------------|------------------|---------------------|--------------------|-------------------|------------------|--------------|
| EAIRMDA0 | 9.2x6.8x6 | 940 | 38 | 3~5 | 0.4 | 8 | 4 |
| EAIRMDA0-2 | 9.2x6.8x6 | 940 | 36 | 3~5 | 0.4 | 8 | 4 |
| EAIRMDA0-4 | 9.2x6.8x6 | 940 | 40 | 3~5 | 0.4 | 8 | 4 |



UNIT : mm



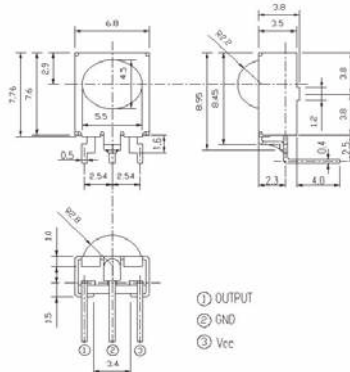
| Product | Size (LxWxHmm) | λ_p (nm) | Carrier Freq. (KHz) | Supply Voltage (V) | I_{CC} Typ (mA) | L_{Center} (m) | L_{45} (m) |
|----------|----------------|------------------|---------------------|--------------------|-------------------|------------------|--------------|
| EAIRMDA1 | 7.3x6.2x5.4 | 940 | 38 | 3~5 | 0.4 | 14 | 6 |

Infrared Receiver Module | Standard Burst | DIP-Vo – GND – Vcc

Infrared Receiver Module



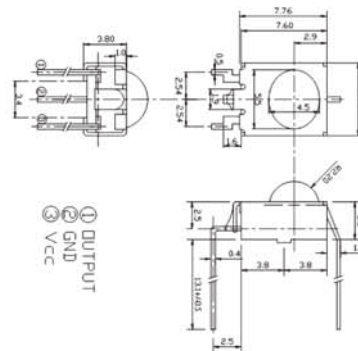
UNIT : mm



| Product | Size (LxWxHmm) | λ_p (nm) | Carrier Freq. (KHz) | Supply Voltage (V) | I_{CC} Typ (mA) | L_{Center} (m) | L_{45} (m) |
|------------|----------------|------------------|---------------------|--------------------|-------------------|------------------|--------------|
| EAIRMDA2 | 10.1x6.8x6 | 940 | 38 | 3~5 | 0.4 | 8 | 4 |
| EAIRMDA2-2 | 10.1x6.8x6 | 940 | 36 | 3~5 | 0.4 | 8 | 4 |



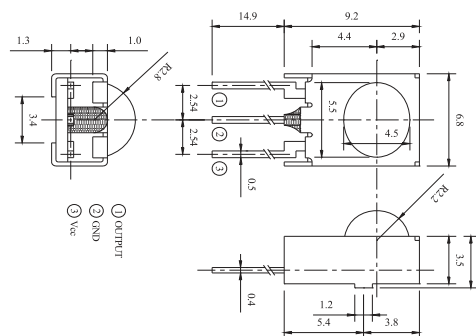
UNIT : mm



| Product | Size (LxWxHmm) | λ_p (nm) | Carrier Freq. (KHz) | Supply Voltage (V) | I_{CC} Typ (mA) | L_{Center} (m) | L_{45} (m) |
|----------|----------------|------------------|---------------------|--------------------|-------------------|------------------|--------------|
| EAIRMDA3 | 10.1x6.8x6 | 940 | 38 | 3~5 | 0.4 | 8 | 4 |



UNIT : mm



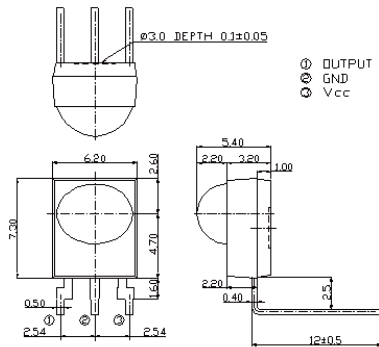
| Product | Size (LxWxHmm) | λ_p (nm) | Carrier Freq. (KHz) | Supply Voltage (V) | I_{CC} Typ (mA) | L_{Center} (m) | L_{45} (m) |
|----------|----------------|------------------|---------------------|--------------------|-------------------|------------------|--------------|
| EAIRMDA4 | 9.2x6.8x6 | 940 | 38 | 3~5 | 0.4 | 8 | 4 |



Infrared Receiver Module | Standard Burst | DIP-Vo – GND – Vcc



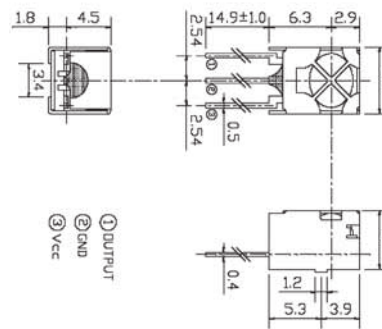
UNIT : mm



| Product | Size (LxWxHmm) | λ_p (nm) | Carrier Freq. (KHz) | Supply Voltage (V) | I_{CC} Typ (mA) | L_{Center} (m) | L_{45} (m) |
|----------|----------------|------------------|---------------------|--------------------|-------------------|------------------|--------------|
| EAIRMDA5 | 9.2x6.2x5.4 | 940 | 40 | 3-5 | 0.4 | 14 | 6 |



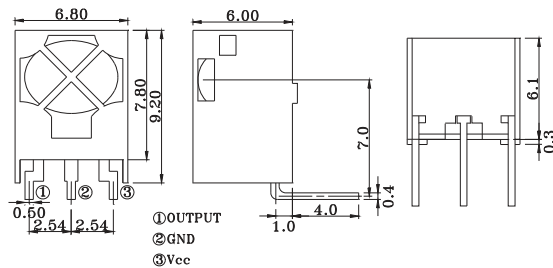
UNIT : mm



| Product | Size (LxWxHmm) | λ_p (nm) | Carrier Freq. (KHz) | Supply Voltage (V) | I_{CC} Typ (mA) | L_{Center} (m) | L_{45} (m) |
|----------|----------------|------------------|---------------------|--------------------|-------------------|------------------|--------------|
| EAIRMEA0 | 9.2x6.8x6 | 940 | 38 | 3-5 | 0.4 | 8 | 4 |



UNIT : mm



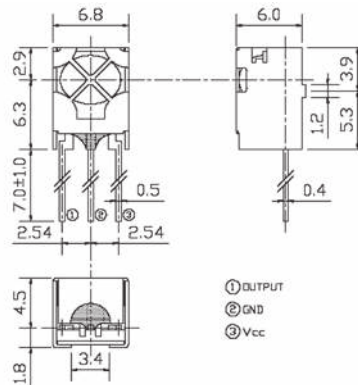
| Product | Size (LxWxHmm) | λ_p (nm) | Carrier Freq. (KHz) | Supply Voltage (V) | I_{CC} Typ (mA) | L_{Center} (m) | L_{45} (m) |
|----------|----------------|------------------|---------------------|--------------------|-------------------|------------------|--------------|
| EAIRMEA1 | 10.1x6.8x6 | 940 | 38 | 3-5 | 0.4 | 8 | 4 |

Infrared Receiver Module

Infrared Receiver Module | Standard Burst | DIP-Vo – GND – Vcc



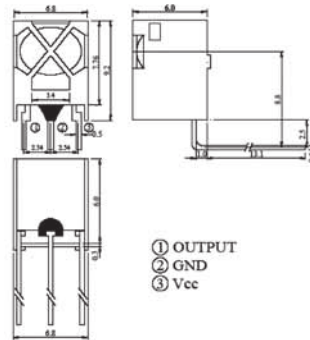
UNIT : mm



| Product | Size (LxWxHmm) | λ_p (nm) | Carrier Freq. (KHz) | Supply Voltage (V) | I_{CC} Typ (mA) | L_{Center} (m) | L_{45} (m) |
|----------|----------------|------------------|---------------------|--------------------|-------------------|------------------|--------------|
| EAIRMEA2 | 9.2x6.8x6 | 940 | 38 | 3~5 | 0.4 | 8 | 4 |



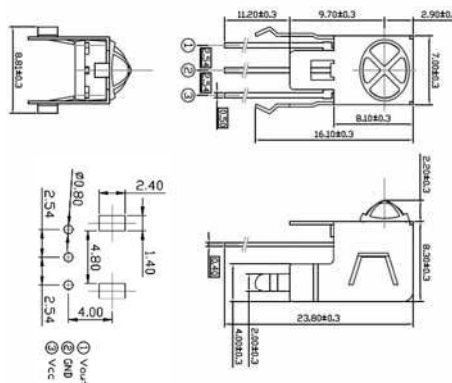
UNIT : mm



| Product | Size (LxWxHmm) | λ_p (nm) | Carrier Freq. (KHz) | Supply Voltage (V) | I_{CC} Typ (mA) | L_{Center} (m) | L_{45} (m) |
|----------|----------------|------------------|---------------------|--------------------|-------------------|------------------|--------------|
| EAIRMEA3 | 9.2x6.8x6 | 940 | 38 | 3~5 | 0.4 | 8 | 4 |



UNIT : mm

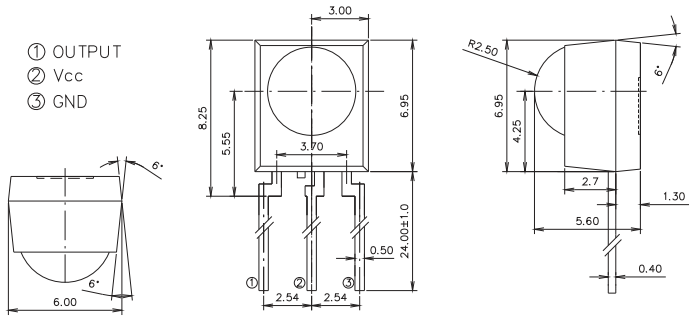


| Product | Size (LxWxHmm) | λ_p (nm) | Carrier Freq. (KHz) | Supply Voltage (V) | I_{CC} Typ (mA) | L_{Center} (m) | L_{45} (m) |
|----------|----------------|------------------|---------------------|--------------------|-------------------|------------------|--------------|
| EAIRMFA0 | 8.1x7x10.5 | 940 | 38 | 3~5 | 0.4 | 8 | 4 |

Infrared Receiver Module | Standard Burst | DIP-Vo – Vcc – GND



UNIT : mm



| Product | Size (LxWxHmm) | λ_p (nm) | Carrier Freq. (KHz) | Supply Voltage (V) | I_{CC} Typ (mA) | L_{Center} (m) | L_{45} (m) |
|----------|----------------|------------------|---------------------|--------------------|-------------------|------------------|--------------|
| EAIRMBA1 | 8.25x6x5.6 | 940 | 36 | 3~5 | 0.4 | 14 | 6 |
| EAIRMBA4 | 8.25x6x5.6 | 940 | 38 | 3~5 | 1 | 14 | 6 |
| EAIRMBA3 | 8.25x6x5.6 | 940 | 38 | 3~5 | 0.4 | 14 | 6 |
| EAIRMBA5 | 8.25x6x5.6 | 940 | 40 | 3~5 | 0.4 | 14 | 6 |
| EAIRMBA6 | 8.25x6x5.6 | 940 | 56 | 3~5 | 0.4 | 14 | 6 |

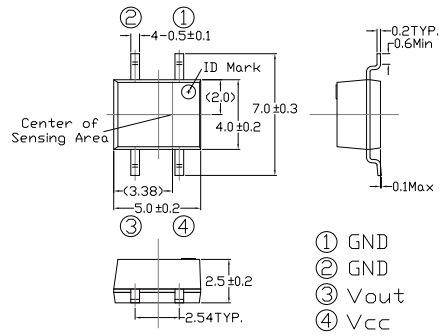
Infrared Receiver Module

Infrared Receiver Module | Standard Burst | SMD

Infrared Receiver Module



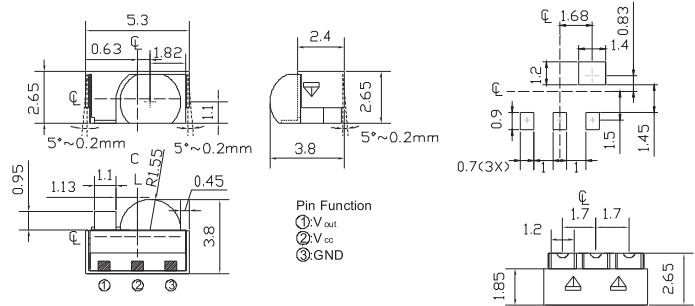
UNIT : mm



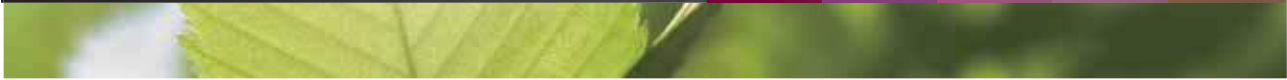
| Product | Size (LxWxHmm) | λ_p (nm) | Carrier Freq. (KHz) | Supply Voltage (V) | I_{CC} Typ (mA) | L_{Center} (m) | L_{45} (m) |
|----------|----------------|------------------|---------------------|--------------------|-------------------|------------------|--------------|
| EAIRMKA1 | 5x4x2 | 940 | 36 | 3~5 | 0.4 | 8 | 5 |
| EAIRMKA2 | 5x4x2 | 940 | 38 | 3~5 | 0.4 | 8 | 5 |
| EAIRMKA3 | 5x4x2 | 940 | 36 | 3~5 | 1 | 8 | 5 |



UNIT : mm



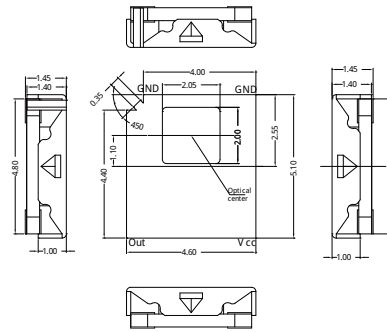
| Product | Size (LxWxHmm) | λ_p (nm) | Carrier Freq. (KHz) | Supply Voltage (V) | I_{CC} Typ (mA) | L_{Center} (m) | L_{45} (m) |
|----------|----------------|------------------|---------------------|--------------------|-------------------|------------------|--------------|
| EAIRMLA2 | 5.3x3.8x2.65 | 940 | 38 | 3~5 | 0.4 | 8 | 5 |
| EAIRMLA3 | 5.3x3.8x2.65 | 940 | 38 | 3~5 | 1 | 8 | 5 |
| EAIRMLA4 | 5.3x3.8x2.65 | 940 | 40 | 3~5 | 0.4 | 8 | 5 |



Infrared Receiver Module | Standard Burst | SMD



UNIT : mm



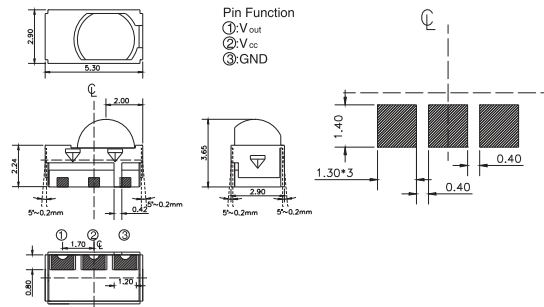
| Product | Size (LxWxHmm) | λ_p (nm) | Carrier Freq. (KHz) | Supply Voltage (V) | I_{CC} Typ (mA) | L_{Center} (m) | L_{45} (m) |
|----------|----------------|------------------|---------------------|--------------------|-------------------|------------------|--------------|
| EAIRMGA0 | 5.1x4.6x1.45 | 940 | 36 | 3~5 | 1 | 8 | 5 |
| EAIRMGA1 | 5.1x4.6x1.45 | 940 | 38 | 3~5 | 1 | 8 | 5 |
| EAIRMGA2 | 5.1x4.6x1.45 | 940 | 40 | 2.7~5 | 0.9 | 8 | 5 |

Infrared Receiver Module

Infrared Receiver Module | Standard Burst | SMD



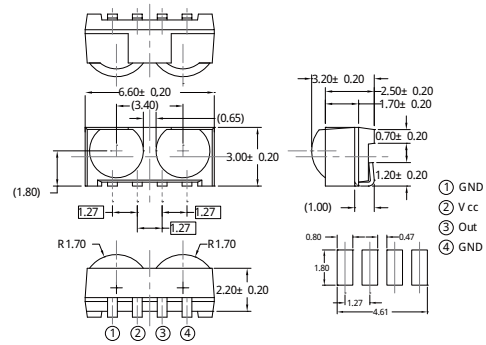
UNIT : mm



| Product | Size (LxWxHmm) | λ_p (nm) | Carrier Freq. (KHz) | Supply Voltage (V) | I _{CC} Typ (mA) | L _{Center} (m) | L ₄₅ (m) |
|----------|----------------|------------------|---------------------|--------------------|--------------------------|-------------------------|---------------------|
| EAIRMHA2 | 5.3×2.9×3.65 | 940 | 38 | 3~5 | 1 | 8 | 5 |



UNIT : mm



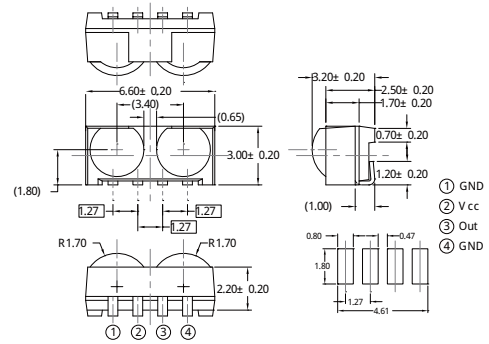
| Product | Size (LxWxHmm) | λ_p (nm) | Carrier Freq. (KHz) | Supply Voltage (V) | I _{CC} Typ (mA) | L _{Center} (m) | L ₄₅ (m) |
|-----------|----------------|------------------|---------------------|--------------------|--------------------------|-------------------------|---------------------|
| EAIRMMMA0 | 6.6×3×3.2 | 940 | 36 | 3~5 | 0.4 | 8 | 5 |
| EAIRMMMA1 | 6.6×3.2×3 | 940 | 38 | 3~5 | 0.4 | 8 | 5 |



Infrared Receiver Module | Standard Burst | SMD



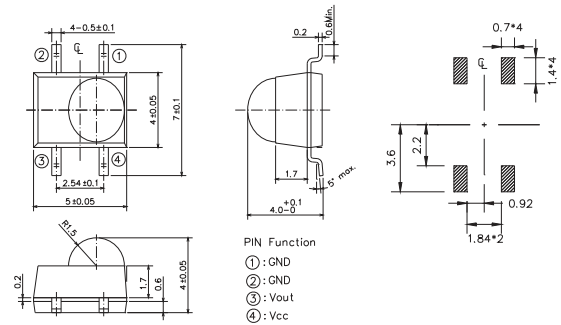
UNIT : mm



| Product | Size (LxWxHmm) | λ_p (nm) | Carrier Freq. (KHz) | Supply Voltage (V) | I_{CC} Typ (mA) | L_{Center} (m) | L_{45} (m) |
|----------|----------------|------------------|---------------------|--------------------|-------------------|------------------|--------------|
| EAIRMJA0 | 6.6x3x3.2 | 940 | 36 | 3~5 | 0.4 | 8 | 5 |
| EAIRMJA2 | 6.6x3x3.2 | 940 | 38 | 3~5 | 0.4 | 8 | 5 |



UNIT : mm



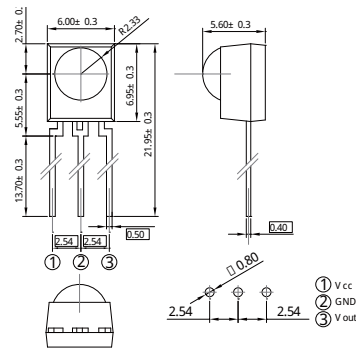
| Product | Size (LxWxHmm) | λ_p (nm) | Carrier Freq. (KHz) | Supply Voltage (V) | I_{CC} Typ (mA) | L_{Center} (m) | L_{45} (m) |
|----------|----------------|------------------|---------------------|--------------------|-------------------|------------------|--------------|
| EAIRMIA1 | 5x4x4 | 940 | 38 | 3~5 | 0.4 | 8 | 5 |
| EAIRMIA2 | 5x4x4 | 940 | 38 | 3~5 | 1 | 8 | 5 |

Infrared Receiver Module

Infrared Receiver Module | Width Band | DIP-Vo – GND – Vcc



UNIT : mm

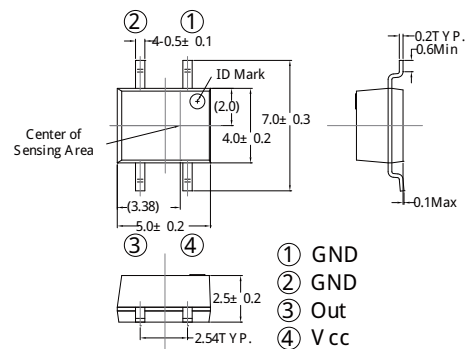


| Product | Size (LxWxHmm) | λ_p (nm) | Carrier Freq. (KHz) | Supply Voltage (V) | I_{CC} Typ (mA) | L_{Center} (m) | L_{45} (m) |
|----------|----------------|------------------|---------------------|--------------------|-------------------|------------------|--------------|
| EAIRMAA0 | 8.25x6x5.6 | 940 | 30~56 | 2.5~5 | 1.2 | 14 | 6 |

Infrared Receiver Module | 3D



UNIT : mm

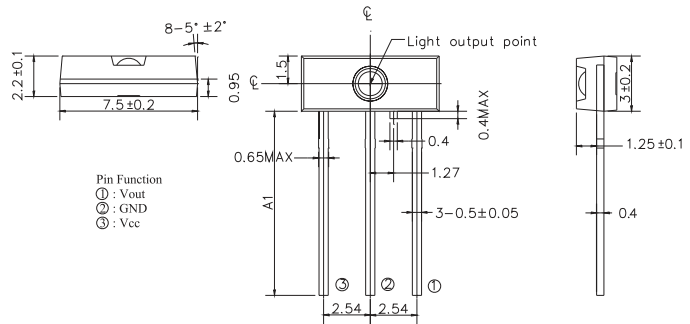


| Product | Size (LxWxHmm) | λ_p (nm) | Carrier Freq. (KHz) | Supply Voltage (V) | I_{CC} Typ (mA) | L_{Center} (m) | L_{45} (m) |
|----------|----------------|------------------|---------------------|--------------------|-------------------|------------------|--------------|
| EAIRMKA0 | 5x4x2 | 850 | 20 | 2.5~5 | 0.6 | 8 | 5 |

Optic-Fiber Device (Photo Link) | Receiver (PLR) Component



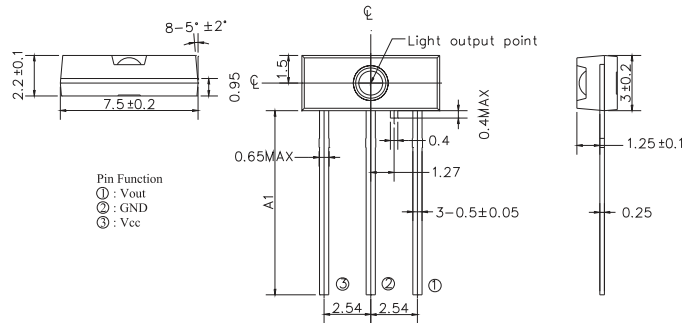
UNIT : mm



| Product | Size (LxWxHmm) | Fiber Coupling Receiver Power_ Max (dBm) | Fiber Coupling Receiver Power_ Min (dBm) | Operation Voltage (V) | Plastic Holder | Trans - mission Speed (Mb/s) | L/F Thickness (mm) |
|----------|----------------|--|--|-----------------------|----------------|------------------------------|--------------------|
| EAPLRAA0 | 7.5x3x2.2 | -14 | -27 | 2.4~5.5 | None | 16 | 0.4 |



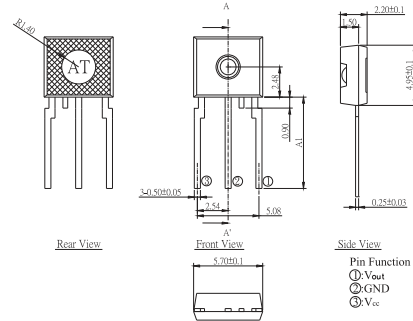
UNIT : mm



| Product | Size (LxWxHmm) | Fiber Coupling Receiver Power_ Max (dBm) | Fiber Coupling Receiver Power_ Min (dBm) | Operation Voltage (V) | Plastic Holder | Trans - mission Speed (Mb/s) | L/F Thickness (mm) |
|----------|----------------|--|--|-----------------------|----------------|------------------------------|--------------------|
| EAPLRAA8 | 7.5x3x2.2 | -14 | -27 | 2.4~5.5 | None | 16 | 0.25 |



UNIT : mm



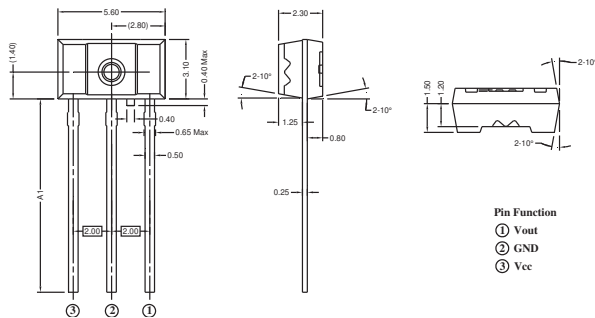
| Product | Size (LxWxHmm) | Fiber Coupling Receiver Power_ Max (dBm) | Fiber Coupling Receiver Power_ Min (dBm) | Operation Voltage (V) | Plastic Holder | Trans - mission Speed (Mb/s) | L/F Thickness (mm) |
|----------|----------------|--|--|-----------------------|----------------|------------------------------|--------------------|
| EAPLRAA9 | 5.7x4.95x2.2 | -14 | -27 | 2.4~5.5 | None | 16 | 0.25 |

Optic-Fiber Device (Photo Link)

Optic-Fiber Device (Photo Link) | Receiver (PLR) Component



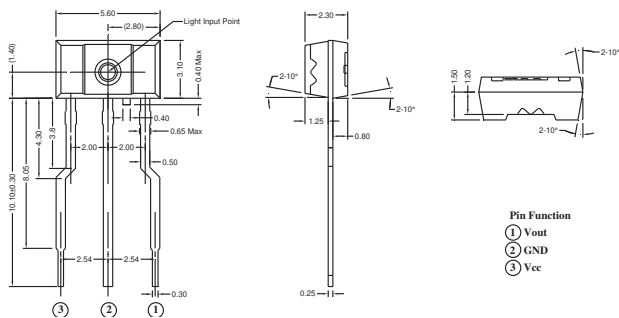
UNIT : mm



| Product | Size (LxWxHmm) | Fiber Coupling Receiver Power_ Max (dBm) | Fiber Coupling Receiver Power_ Min (dBm) | Operation Voltage (V) | Plastic Holder | Trans - mission Speed (Mb/s) | L/F Thickness (mm) |
|----------|----------------|--|--|-----------------------|----------------|------------------------------|--------------------|
| EAPLRAB0 | 5.6x3.1x2.3 | -14 | -27 | 2.4~5.5 | None | 16 | 0.25 |



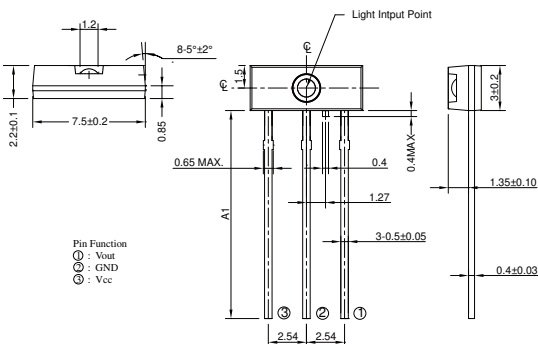
UNIT : mm



| Product | Size (LxWxHmm) | Fiber Coupling Receiver Power_ Max (dBm) | Fiber Coupling Receiver Power_ Min (dBm) | Operation Voltage (V) | Plastic Holder | Trans - mission Speed (Mb/s) | L/F Thickness (mm) |
|----------|----------------|--|--|-----------------------|----------------|------------------------------|--------------------|
| EAPLRAB1 | 5.6x3.1x2.3 | -14 | -27 | 2.4~5.5 | None | 16 | 0.25 |



UNIT : mm



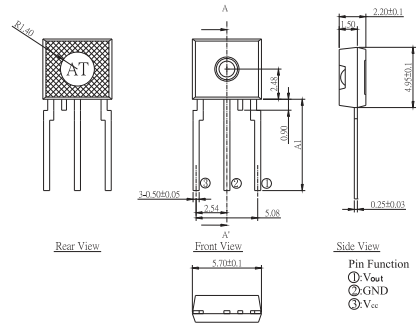
| Product | Size (LxWxHmm) | Fiber Coupling Receiver Power_ Max (dBm) | Fiber Coupling Receiver Power_ Min (dBm) | Operation Voltage (V) | Plastic Holder | Trans - mission Speed (Mb/s) | L/F Thickness (mm) |
|----------|----------------|--|--|-----------------------|----------------|------------------------------|--------------------|
| EAPLRBA0 | 7.5x3x2.2 | -14 | -27 | 2.4~5.5 | None | 25 | 0.4 |

Optic-Fiber Device (Photo Link)

Optic-Fiber Device (Photo Link) | Receiver (PLR) Component



UNIT : mm



| Product | Size (LxWxHmm) | Fiber Coupling Receiver Power_ Max (dBm) | Fiber Coupling Receiver Power_ Min (dBm) | Operation Voltage (V) | Plastic Holder | Trans - mission Speed (Mb/s) | L/F Thicknes (mm) |
|----------|----------------|--|--|-----------------------|----------------|------------------------------|-------------------|
| EAPLRBA3 | 5.7x4.95x2.2 | -14 | -27 | 2.4~5.5 | None | 25 | 0.25 |

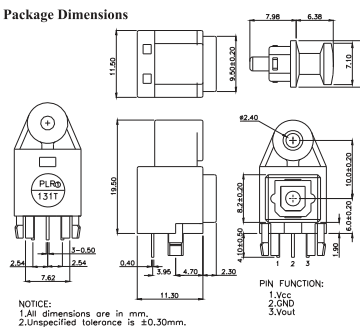
Optic-Fiber Device (Photo Link)

Optic-Fiber Device (Photo Link) | Receiver (PLR) Module

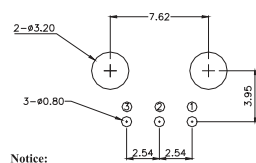


UNIT : mm

Package Dimensions



PCB Layout for Electrical Circuit



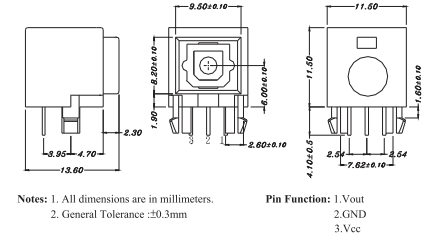
Notice:
1. Unit:mm
2. PCB tolerance:1.6mm

| Product | Size (LxWxHmm) | Fiber Coupling Receiver Power_ Max (dBm) | Fiber Coupling Receiver Power_ Min (dBm) | Operation Voltage (V) | Plastic Holder | Trans - mission Speed (Mb/s) | L/F Thickness (mm) |
|----------|----------------|--|--|-----------------------|----------------|------------------------------|--------------------|
| EAPLRAA1 | 11.5x13.6x19.5 | -14 | -27 | 2.4~5.5 | Yes | 16 | 0.4 |

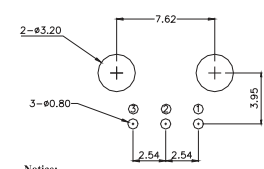


UNIT : mm

Package Dimensions



PCB Layout for Electrical Circuit



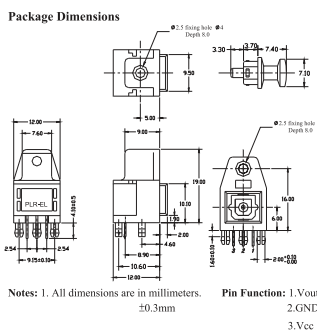
Notice:
1. Unit:mm
2. PCB tolerance:1.6mm

| Product | Size (LxWxHmm) | Fiber Coupling Receiver Power_ Max (dBm) | Fiber Coupling Receiver Power_ Min (dBm) | Operation Voltage (V) | Plastic Holder | Trans - mission Speed (Mb/s) | L/F Thickness (mm) |
|----------|----------------|--|--|-----------------------|----------------|------------------------------|--------------------|
| EAPLRAA2 | 11.5x13.6x11.5 | -14 | -27 | 2.4~5.5 | Yes | 16 | 0.4 |

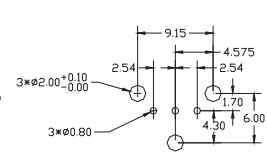


UNIT : mm

Package Dimensions



PCB Layout for Electrical Circuit



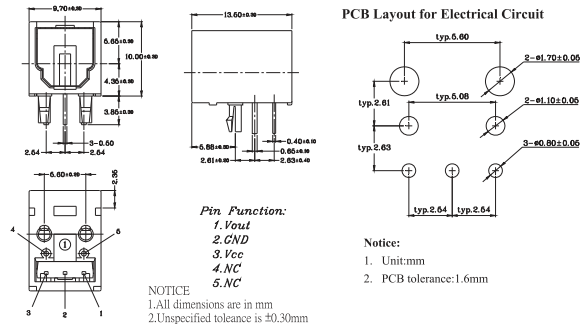
Notice:
1. Unit:mm
2. PCB tolerance:1.6mm

| Product | Size (LxWxHmm) | Fiber Coupling Receiver Power_ Max (dBm) | Fiber Coupling Receiver Power_ Min (dBm) | Operation Voltage (V) | Plastic Holder | Trans - mission Speed (Mb/s) | L/F Thickness (mm) |
|----------|----------------|--|--|-----------------------|----------------|------------------------------|--------------------|
| EAPLRAA3 | 12x14x19 | -14 | -27 | 2.4~5.5 | Yes | 16 | 0.4 |

Optic-Fiber Device (Photo Link) | Receiver (PLR) Module



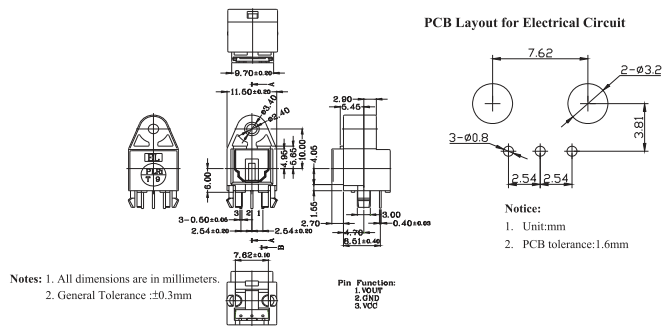
UNIT : mm



| Product | Size (LxWxHmm) | Fiber Coupling Receiver Power_Max (dBm) | Fiber Coupling Receiver Power_Min (dBm) | Operation Voltage (V) | Plastic Holder | Trans - mission Speed (Mb/s) | L/F Thickness (mm) |
|----------|----------------|---|---|-----------------------|----------------|------------------------------|--------------------|
| EAPLRAA6 | 9.7x13.5x10 | -14 | -27 | 2.4~5.5 | Yes | 16 | 0.4 |



UNIT : mm

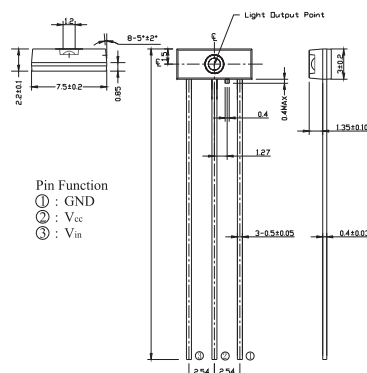


| Product | Size (LxWxHmm) | Fiber Coupling Receiver Power_Max (dBm) | Fiber Coupling Receiver Power_Min (dBm) | Operation Voltage (V) | Plastic Holder | Trans - mission Speed (Mb/s) | L/F Thickness (mm) |
|----------|----------------|---|---|-----------------------|----------------|------------------------------|--------------------|
| EAPLRAA7 | 11.5x14x20 | -14 | -27 | 2.4~5.5 | Yes | 16 | 0.4 |

Optic-Fiber Device (Photo Link) | Transmitter (PLT) Component



UNIT : mm



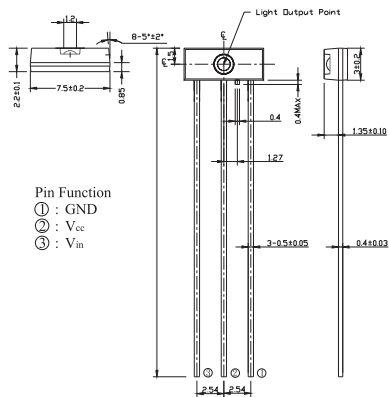
| Product | Size (LxWxHmm) | Fiber Coupling Output Power_Max (dBm) | Fiber Coupling Output Power_Min (dBm) | Operation Voltage (V) | Plastic Holder | Trans - mission Speed (Mb/s) | L/F Thickness (mm) |
|----------|----------------|---------------------------------------|---------------------------------------|-----------------------|----------------|------------------------------|--------------------|
| EAPLTA00 | 7.5x3x2.2 | -15 | -21 | 3~5 | None | 16 | 0.4 |

Optic-Fiber Device (Photo Link)

Optic-Fiber Device (Photo Link) | Transmitter (PLT) Component



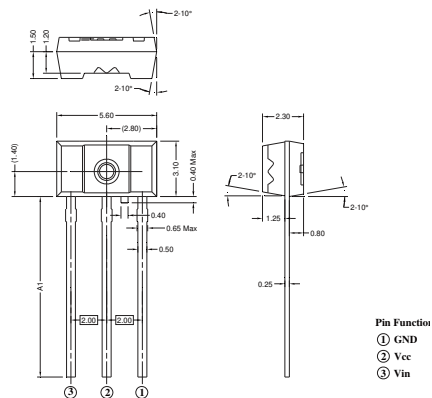
UNIT : mm



| Product | Size (LxWxHmm) | Fiber Coupling Output Power_Max (dBm) | Fiber Coupling Output Power_Min (dBm) | Operation Voltage (V) | Plastic Holder | Trans - mission Speed (Mb/s) | L/F Thickness (mm) |
|----------|----------------|---------------------------------------|---------------------------------------|-----------------------|----------------|------------------------------|--------------------|
| EAPLTAA1 | 7.5x3x2.2 | -15 | -21 | 3~5 | None | 16 | 0.4 |



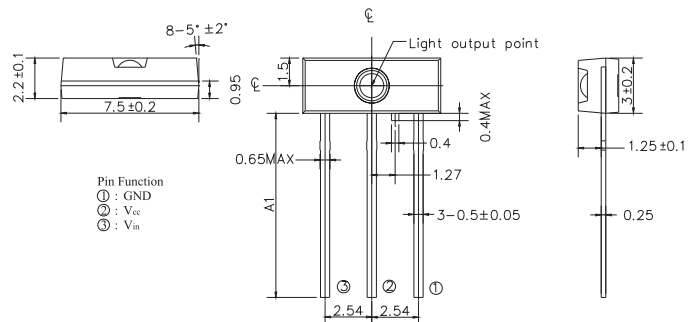
UNIT : mm



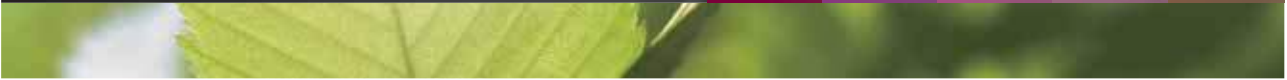
| Product | Size (LxWxHmm) | Fiber Coupling Output Power_Max (dBm) | Fiber Coupling Output Power_Min (dBm) | Operation Voltage (V) | Plastic Holder | Trans - mission Speed (Mb/s) | L/F Thickness (mm) |
|----------|----------------|---------------------------------------|---------------------------------------|-----------------------|----------------|------------------------------|--------------------|
| EAPLTBA2 | 5.6x3.1x2.3 | -15 | -21 | 3~5 | None | 25 | 0.25 |



UNIT : mm



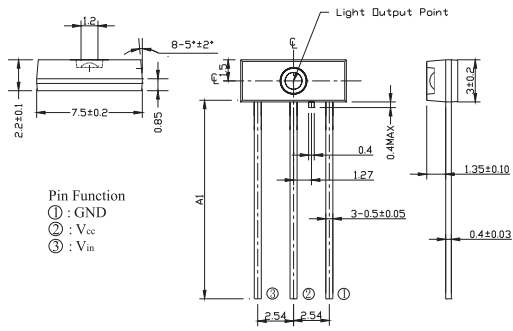
| Product | Size (LxWxHmm) | Fiber Coupling Output Power_Max (dBm) | Fiber Coupling Output Power_Min (dBm) | Operation Voltage (V) | Plastic Holder | Trans - mission Speed (Mb/s) | L/F Thickness (mm) |
|----------|----------------|---------------------------------------|---------------------------------------|-----------------------|----------------|------------------------------|--------------------|
| EAPLTAA8 | 7.5x3x2.2 | -15 | -21 | 3~5 | None | 16 | 0.25 |
| EAPLTBA1 | 7.5x3x2.2 | -15 | -21 | 3~5 | None | 25 | 0.25 |



Optic-Fiber Device (Photo Link) | Transmitter (PLT) Component



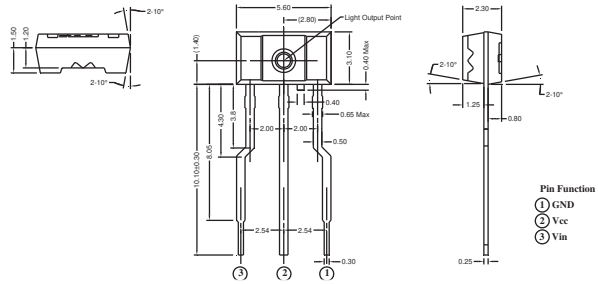
UNIT : mm



| Product | Size (LxWxHmm) | Fiber Coupling Output Power_Max (dBm) | Fiber Coupling Output Power_Min (dBm) | Operation Voltage (V) | Plastic Holder | Trans - mission Speed (Mb/s) | L/F Thickness (mm) |
|----------|----------------|---------------------------------------|---------------------------------------|-----------------------|----------------|------------------------------|--------------------|
| EAPLTBA0 | 7.5x3x2.2 | -15 | -21 | 3~5 | None | 25 | 0.4 |



UNIT : mm



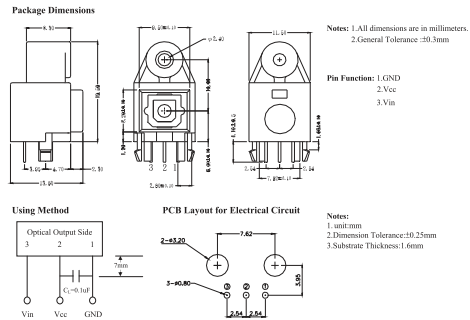
| Product | Size (LxWxHmm) | Fiber Coupling Output Power_Max (dBm) | Fiber Coupling Output Power_Min (dBm) | Operation Voltage (V) | Plastic Holder | Trans - mission Speed (Mb/s) | L/F Thickness (mm) |
|----------|----------------|---------------------------------------|---------------------------------------|-----------------------|----------------|------------------------------|--------------------|
| EAPLTBA3 | 5.6x3.1x2.3 | -15 | -21 | 3~5 | None | 25 | 0.25 |

Optic-Fiber Device (Photo Link)

Optic-Fiber Device (Photo Link) | Transmitter (PLT) Module



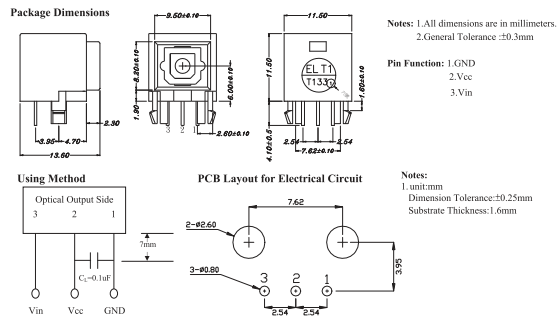
UNIT : mm



| Product | Size (LxWxHmm) | Fiber Coupling Output Power_Max (dBm) | Fiber Coupling Output Power_Min (dBm) | Operation Voltage (V) | Plastic Holder | Trans - mission Speed (Mb/s) | L/F Thickness (mm) |
|----------|----------------|---------------------------------------|---------------------------------------|-----------------------|----------------|------------------------------|--------------------|
| EAPLTAA2 | 11.5x13.6x19.5 | -15 | -21 | 3~5 | Yes | 16 | 0.4 |



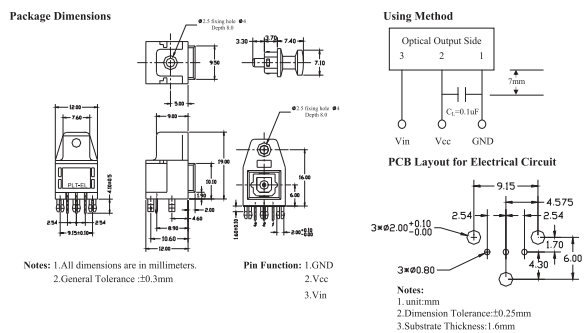
UNIT : mm



| Product | Size (LxWxHmm) | Fiber Coupling Output Power_Max (dBm) | Fiber Coupling Output Power_Min (dBm) | Operation Voltage (V) | Plastic Holder | Trans - mission Speed (Mb/s) | L/F Thickness (mm) |
|----------|----------------|---------------------------------------|---------------------------------------|-----------------------|----------------|------------------------------|--------------------|
| EAPLTAA3 | 11.5x13.6x11.5 | -15 | -21 | 3~5 | Yes | 16 | 0.4 |



UNIT : mm

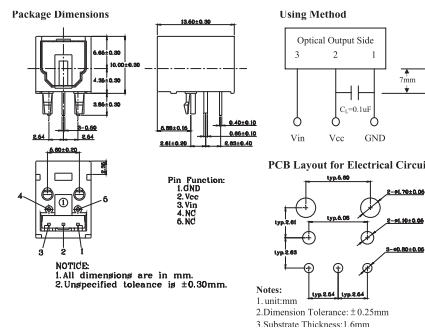


| Product | Size (LxWxHmm) | Fiber Coupling Output Power_Max (dBm) | Fiber Coupling Output Power_Min (dBm) | Operation Voltage (V) | Plastic Holder | Trans - mission Speed (Mb/s) | L/F Thickness (mm) |
|----------|----------------|---------------------------------------|---------------------------------------|-----------------------|----------------|------------------------------|--------------------|
| EAPLTAA5 | 12x14x19 | -15 | -21 | 3~5 | Yes | 16 | 0.4 |

Optic-Fiber Device (Photo Link) | Transmitter (PLT) Module



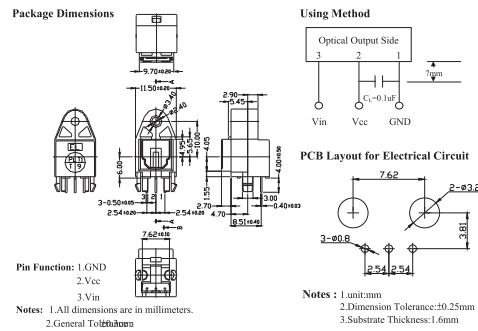
UNIT : mm



| Product | Size (LxWxHmm) | Fiber Coupling Output Power_Max (dBm) | Fiber Coupling Output Power_Min (dBm) | Operation Voltage (V) | Plastic Holder | Trans - mission Speed (Mb/s) | L/F Thickness (mm) |
|----------|----------------|---------------------------------------|---------------------------------------|-----------------------|----------------|------------------------------|--------------------|
| EAPLTAA6 | 9.7x13.5x10 | -15 | -21 | 3~5 | Yes | 16 | 0.4 |



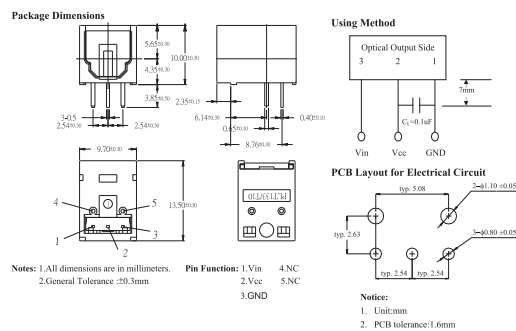
UNIT : mm



| Product | Size (LxWxHmm) | Fiber Coupling Output Power_Max (dBm) | Fiber Coupling Output Power_Min (dBm) | Operation Voltage (V) | Plastic Holder | Trans - mission Speed (Mb/s) | L/F Thickness (mm) |
|----------|----------------|---------------------------------------|---------------------------------------|-----------------------|----------------|------------------------------|--------------------|
| EAPLTAA7 | 11.5x13.5x20 | -15 | -21 | 3~5 | Yes | 16 | 0.4 |



UNIT : mm



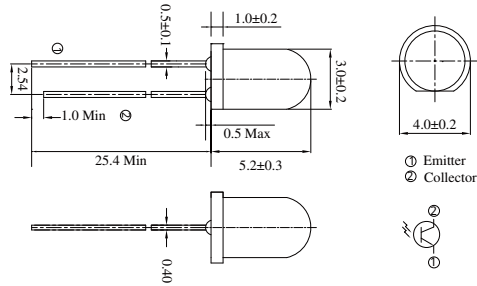
| Product | Size (LxWxHmm) | Fiber Coupling Output Power_Max (dBm) | Fiber Coupling Output Power_Min (dBm) | Operation Voltage (V) | Plastic Holder | Trans - mission Speed (Mb/s) | L/F Thickness (mm) |
|----------|----------------|---------------------------------------|---------------------------------------|-----------------------|----------------|------------------------------|--------------------|
| EAPLTAA4 | 9.7x13.5x10 | -15 | -21 | 3~5 | Yes | 16 | 0.4 |

Optic-Fiber Device (Photo Link)

Optical Sensors | Ambient Light Sensor | Analog



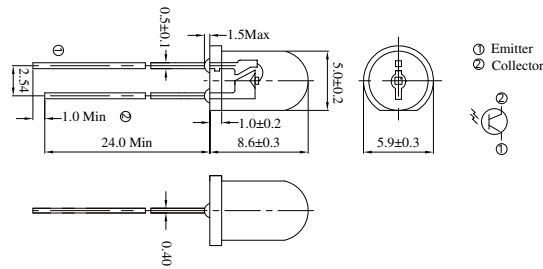
UNIT : mm



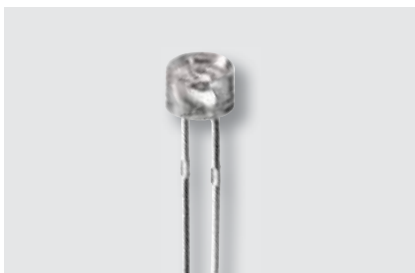
| Product | Size (mm) | Supply Voltage (V) | Sensitivity λ_p (nm) | Range λ (nm) | Light current (μA) $E_v=100\text{lux}$ | I_{D_Max} (μA) | Rise / Fall Time (μs) |
|---------------|-----------|--------------------|------------------------------|----------------------|---|--------------------------|------------------------------|
| EAALST03RDAA0 | 3 | 2.5~5.5 | 630 | 370~670 | 15~100 | 0.1 | 110 / 120 |



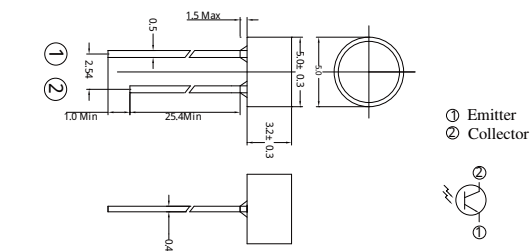
UNIT : mm



| Product | Size (mm) | Supply Voltage (V) | Sensitivity λ_p (nm) | Range λ (nm) | Light current (μA) $E_v=100\text{lux}$ | I_{D_Max} (μA) | Rise / Fall Time (μs) |
|---------------|-----------|--------------------|------------------------------|----------------------|---|--------------------------|------------------------------|
| EAALST05RDDA0 | 5 | 2.5~5.5 | 560 | 390~700 | 90~160 | 0.1 | 80 / 90 |



UNIT : mm

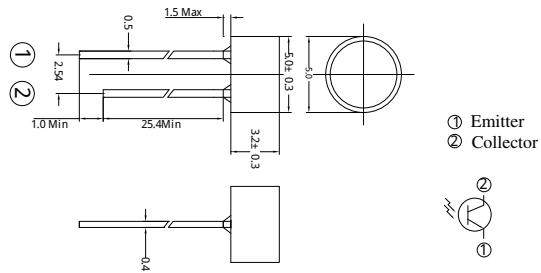


| Product | Size (mm) | Supply Voltage (V) | Sensitivity λ_p (nm) | Range λ (nm) | Light current (μA) $E_v=100\text{lux}$ | I_{D_Max} (μA) | Rise / Fall Time (μs) |
|---------------|-----------|--------------------|------------------------------|----------------------|---|--------------------------|------------------------------|
| EAALST05RDMA0 | 5 | 2.5~5.5 | 630 | 390~700 | 10 | 0.1 | 110 / 220 |

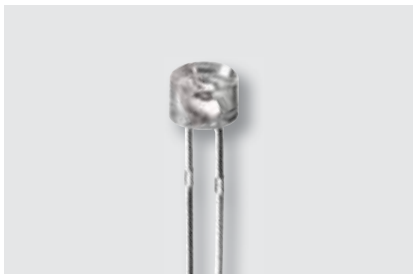
Optical Sensors | Ambient Light Sensor | Analog



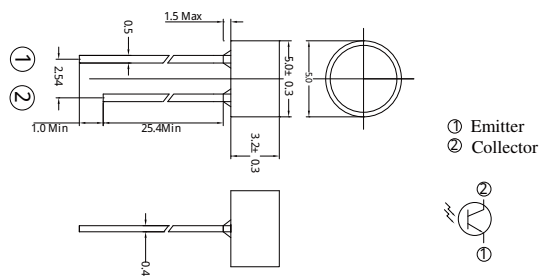
UNIT : mm



| Product | Size (mm) | Supply Voltage (V) | Sensitivity λ_p (nm) | Range λ (nm) | Light current (μA) $E_v=100lux$ | I_{D_Max} (μA) | Rise / Fall Time (μs) |
|----------------|-----------|--------------------|------------------------------|----------------------|--|--------------------------|------------------------------|
| EAALSIC05RDMA0 | 5 | 1.8~5.5 | 560 | 390~700 | 10~35 | 0.1 | 360 / 1130 |



UNIT : mm

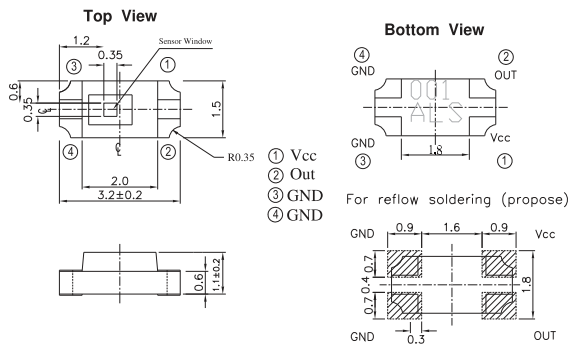


| Product | Size (mm) | Supply Voltage (V) | Sensitivity λ_p (nm) | Range λ (nm) | Light current (μA) $E_v=100lux$ | I_{D_Max} (μA) | Rise / Fall Time (μs) |
|----------------|-----------|--------------------|------------------------------|----------------------|--|--------------------------|------------------------------|
| EAALSIC05RDMA1 | 5 | 1.8~5.5 | 560 | 390~700 | 24~48 | 0.1 | 360 / 1130 |

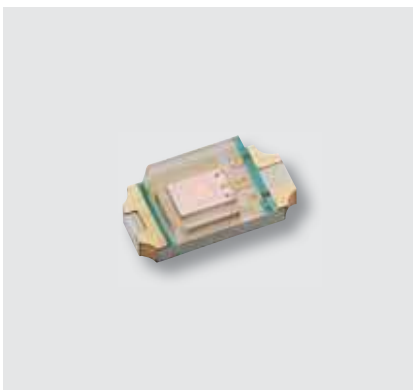
Optical Sensors | Ambient Light Sensor | Analog



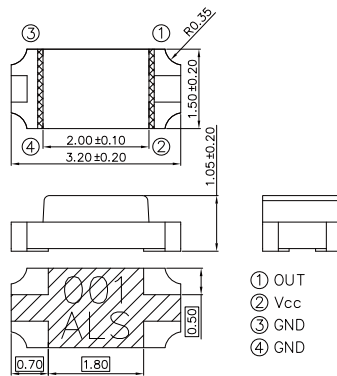
UNIT : mm



| Product | Size (LxWxHmm) | Supply Voltage (V) | Sensitivity λ_p (nm) | Range λ (nm) | Light current (μA) $E_v=100lux$ | I_{D_Max} (μA) | Rise / Fall Time (μs) |
|----------------|----------------|--------------------|------------------------------|----------------------|--|--------------------------|------------------------------|
| EAALSDIC3215A0 | 3.2x1.5x1.1 | 1.8~5.5 | 550 | 390~700 | 7.5 | 0.1 | 11 / 400 |



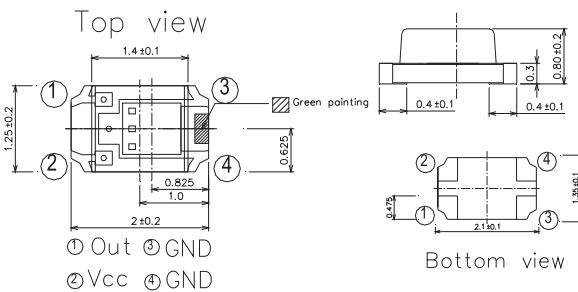
UNIT : mm



| Product | Size (LxWxHmm) | Supply Voltage (V) | Sensitivity λ_p (nm) | Range λ (nm) | Light current (μA) $E_v=100lux$ | I_{D_Max} (μA) | Rise / Fall Time (μs) |
|----------------|----------------|--------------------|------------------------------|----------------------|--|--------------------------|------------------------------|
| EAALSDIC3215A1 | 3.2x1.5x1.1 | 2.5~5.5 | 590 | 390~700 | 36~95 | 0.1 | 360 / 1130 |

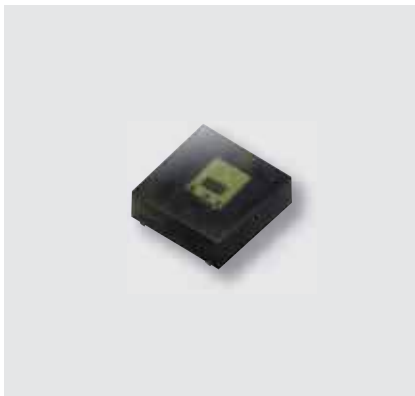


UNIT : mm

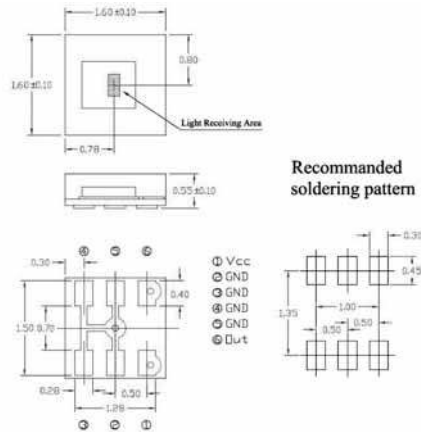


| Product | Size (LxWxHmm) | Supply Voltage (V) | Sensitivity λ_p (nm) | Range λ (nm) | Light current (μA) $E_v=100lux$ | I_{D_Max} (μA) | Rise / Fall Time (μs) |
|----------------|----------------|--------------------|------------------------------|----------------------|--|--------------------------|------------------------------|
| EAALSDIC2012A0 | 2x1.25x0.8 | 1.8~5.5 | 590 | 390~700 | 27~54 | 0.1 | 360 / 1130 |

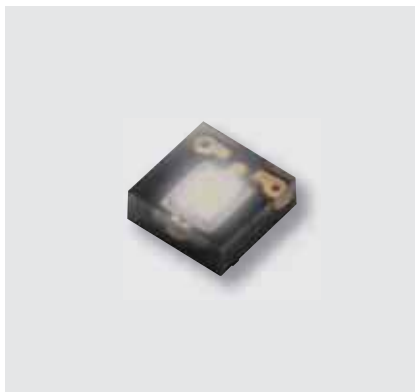
Optical Sensors | Ambient Light Sensor | Analog



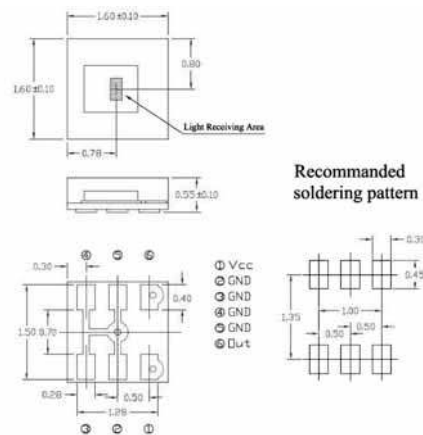
UNIT : mm



| Product | Size (LxWxHmm) | Supply Voltage (V) | Sensitivity λ_p (nm) | Range λ (nm) | Light current (μA) Ev=100lux | I _{D_Max} (μA) | Rise / Fall Time (μs) |
|----------------|----------------|--------------------|------------------------------|----------------------|-------------------------------------|--------------------------------|------------------------------|
| EAALSDIC2012A2 | 1.6x1.6x0.55 | 1.8~5.5 | 580 | 390~700 | 60 | 0.1 | 75 / 200 |



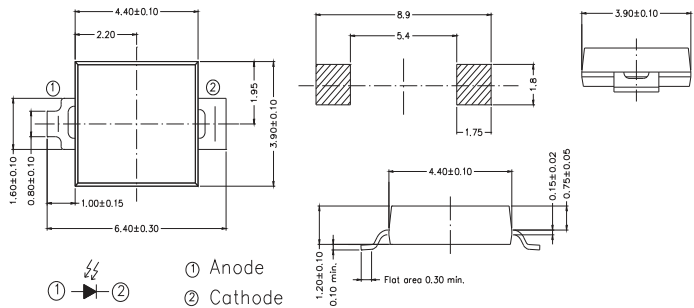
UNIT : mm



| Product | Size (LxWxHmm) | Supply Voltage (V) | Sensitivity λ_p (nm) | Range λ (nm) | Light current (μA) Ev=100lux | I _{D_Max} (μA) | Rise / Fall Time (μs) |
|----------------|----------------|--------------------|------------------------------|----------------------|-------------------------------------|--------------------------------|------------------------------|
| EAALSDIC2012A3 | 1.6x1.6x0.55 | 1.8~5.5 | 550 | 390~700 | 40 | 0.1 | 11 / 400 |



UNIT : mm

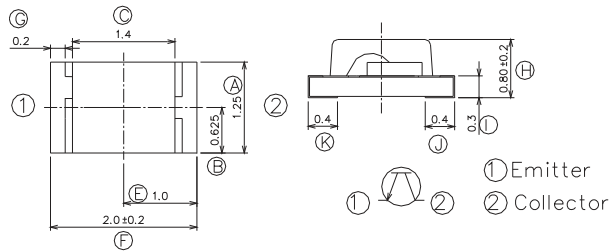


| Product | Size (LxWxHmm) | Supply Voltage (V) | Sensitivity λ_p (nm) | Range λ (nm) | Light current (μA) Ev=100lux | I _{D_Max} (μA) | Rise / Fall Time (μs) |
|----------------|----------------|--------------------|------------------------------|----------------------|-------------------------------------|--------------------------------|------------------------------|
| EAALSDSY6444A0 | 4.4x3.9x1.2 | 2.5~5.5 | 630 | 390~700 | 1.1 | 0.01 | -- / -- |

Optical Sensors | Ambient Light Sensor | Analog



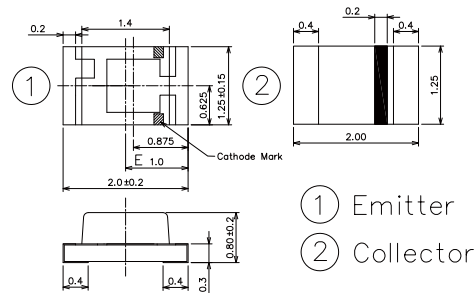
UNIT : mm



| Product | Size (LxWxHmm) | Supply Voltage (V) | Sensitivity λ_p (nm) | Range λ (nm) | Light current (μA) $E_v=100lux$ | I_{D_Max} (μA) | Rise / Fall Time (μs) |
|----------------|----------------|--------------------|------------------------------|----------------------|--|--------------------------|------------------------------|
| EAALSTIC2012A0 | 2x1.25x0.8 | 2.5~5.5 | 630 | 390~700 | 15 | 0.1 | 110 / 220 |



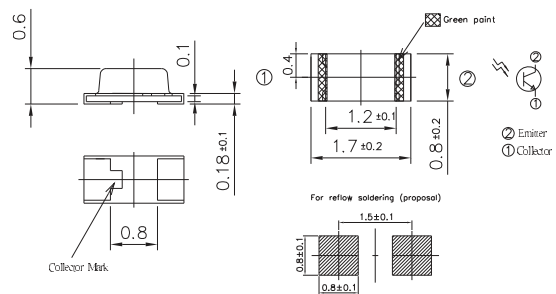
UNIT : mm



| Product | Size (LxWxHmm) | Supply Voltage (V) | Sensitivity λ_p (nm) | Range λ (nm) | Light current (μA) $E_v=50lux$ | I_{D_Max} (μA) | Rise / Fall Time (μs) |
|----------------|----------------|--------------------|------------------------------|----------------------|---------------------------------------|--------------------------|------------------------------|
| EAALSTIC2012A1 | 2x1.25x0.8 | 1.8~5.5 | 580 | 400~700 | 5.5 | 0.1 | 130 / 150 |



UNIT : mm



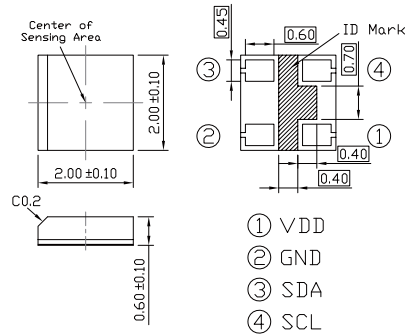
| Product | Size (LxWxHmm) | Supply Voltage (V) | Sensitivity λ_p (nm) | Range λ (nm) | Light current (μA) $E_v=100lux$ | I_{D_Max} (μA) | Rise / Fall Time (μs) |
|----------------|----------------|--------------------|------------------------------|----------------------|--|--------------------------|------------------------------|
| EAALSTIC1708A0 | 1.7x0.8x0.6 | 2.5~5.5 | 630 | 390~700 | 15 | 0.1 | 110 / 220 |



Optical Sensors | Ambient Light Sensor | Digital



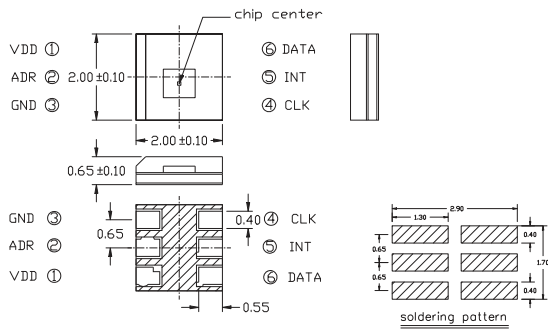
UNIT : mm



| Product | Size (LxWxHmm) | Resolution (bit) | Interface | Peak sensitivity (nm) | Detection range (lux) |
|----------------|----------------|------------------|------------------|-----------------------|-----------------------|
| EAALSDIC2012A1 | 2x2x0.6 | 15 | I ² C | 580 | 88,000 |

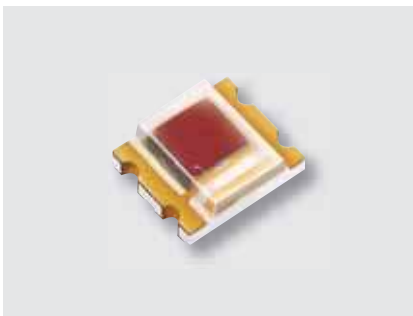


UNIT : mm

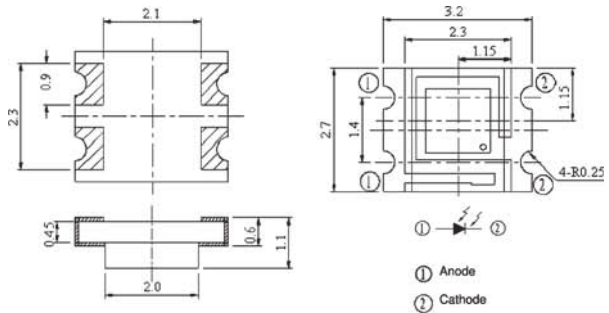


| Product | Size (LxWxHmm) | Resolution (bit) | Interface | Peak sensitivity (nm) | Detection range (lux) |
|----------------|----------------|------------------|------------------|-----------------------|-----------------------|
| EAALSDIC2020A0 | 2x2x0.65 | 15 | I ² C | 550 | 88,000 |

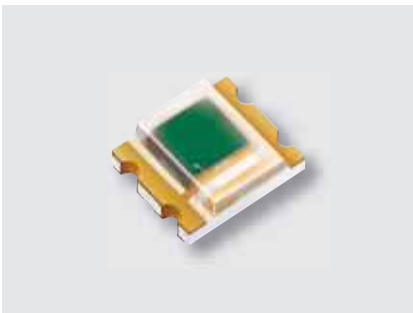
Optical Sensors | RGB Color Sensor | Single Color Sensor (Analog)



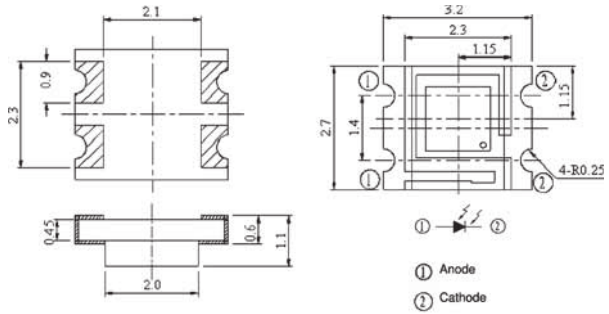
UNIT : mm



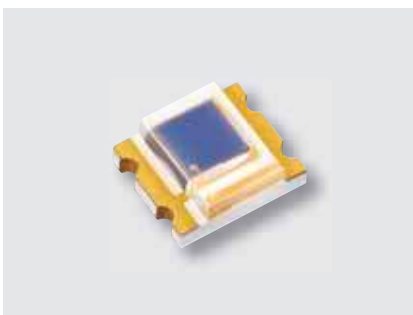
| Product | Size (LxWxHmm) | Sensitivity λ_p (nm) | V_F (V) | Revers light current (Ee=100lux) / $IL^{(1)}$ (μA) | Revers light current (Ee=1000lux) $IL^{(2)}$ (μA) |
|---------------|----------------|------------------------------|-----------|---|--|
| EACLSST3227A2 | 3.2x2.7x1.1 | 620 | 0.5~1.3 | 0.091 | 0.83 |



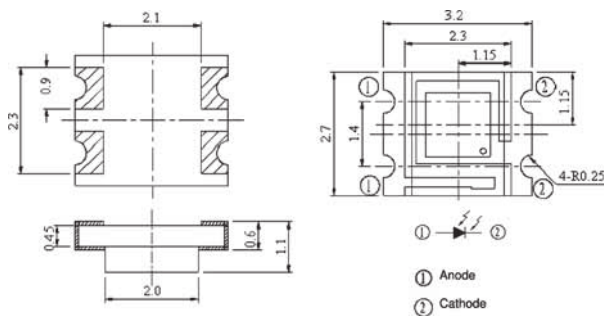
UNIT : mm



| Product | Size (LxWxHmm) | Sensitivity λ_p (nm) | V_F (V) | Revers light current (Ee=100lux) / $IL^{(1)}$ (μA) | Revers light current (Ee=1000lux) $IL^{(2)}$ (μA) |
|---------------|----------------|------------------------------|-----------|---|--|
| EACLSST3227A1 | 3.2x2.7x1.1 | 550 | 0.5~1.3 | 0.082 | 0.72 |



UNIT : mm

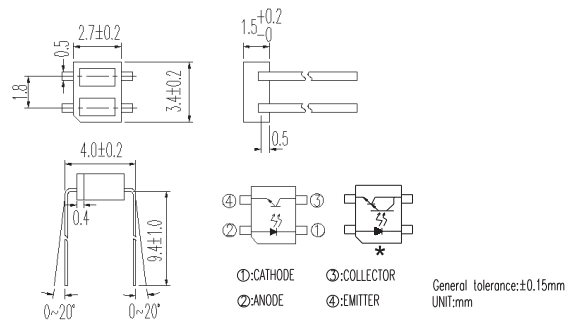


| Product | Size (LxWxHmm) | Sensitivity λ_p (nm) | V_F (V) | Revers light current (Ee=100lux) / $IL^{(1)}$ (μA) | Revers light current (Ee=1000lux) $IL^{(2)}$ (μA) |
|---------------|----------------|------------------------------|-----------|---|--|
| EACLSST3227A0 | 3.2x2.7x1.1 | 470 | 0.5~1.3 | 0.046 | 0.39 |

Optical Sensors | Reflective Sensor



UNIT : mm

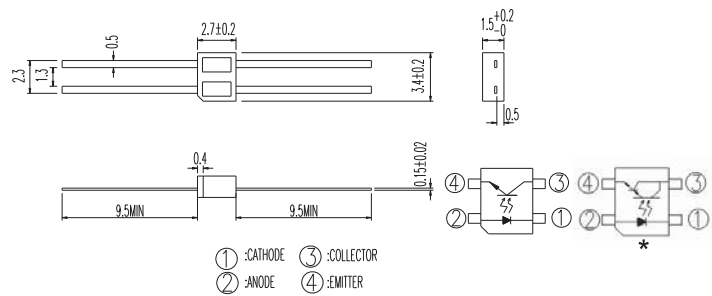


| Product | Size (LxWxHmm) | V _{F_Typ} (V) | V _{F_Max} (V) | V _{CE(SAT)_Max} (V) | I _{C(ON)_Min} (mA) | I _{CEO_Max.} (nA) |
|-----------|----------------|------------------------|------------------------|------------------------------|-----------------------------|----------------------------|
| EAITRCA5 | 3.4x2.7x1.5 | 1.2 | 1.6 | 0.4 | 0.1 | 100 |
| *EAITRCA7 | 3.4x2.7x1.5 | 1.2 | 1.4 | -- | 0.5 | 1000 |

Star mark * : Please refer to the schematic of Pin configuration with " * " mark.



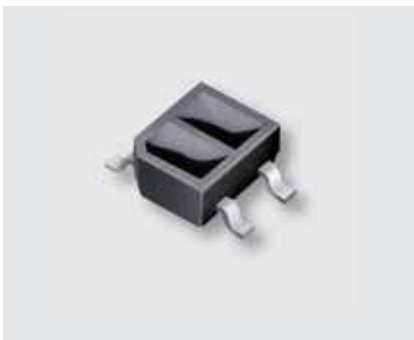
UNIT : mm



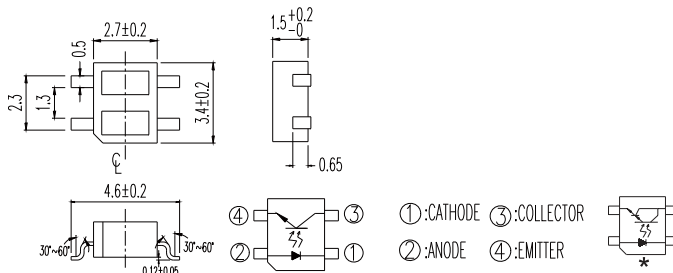
| Product | Size (LxWxHmm) | V _{F_Typ} (V) | V _{F_Max} (V) | V _{CE(SAT)_Max} (V) | I _{C(ON)_Min} (mA) | I _{CEO_Max.} (nA) |
|-----------|----------------|------------------------|------------------------|------------------------------|-----------------------------|----------------------------|
| EAITRCA4 | 3.4x2.7x1.5 | 1.2 | 1.6 | 0.4 | 0.1 | 100 |
| *EAITRCA6 | 3.4x2.7x1.5 | 1.2 | 1.4 | -- | 0.5 | 1000 |

Star mark * : Please refer to the schematic of Pin configuration with " * " mark.

Optical Sensors | Reflective Sensor



UNIT : mm

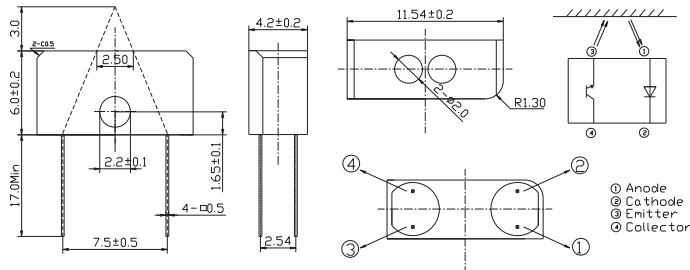


| Product | Size (LxWxHmm) | V _{F_Typ} (V) | V _{F_Max} (V) | V _{CE(SAT)_Max} (V) | I _{C(ON)_Min} (mA) | I _{CEO_Max.} (nA) |
|-----------|----------------|------------------------|------------------------|------------------------------|-----------------------------|----------------------------|
| *EAITRCA8 | 3.4x2.7x1.5 | 1.2 | 1.4 | -- | 0.5 | 1000 |
| EAITRCA9 | 3.4x2.7x1.5 | 1.2 | 1.6 | 0.4 | 0.1 | 100 |

Star mark * : Please refer to the schematic of Pin configuration with " * " mark.



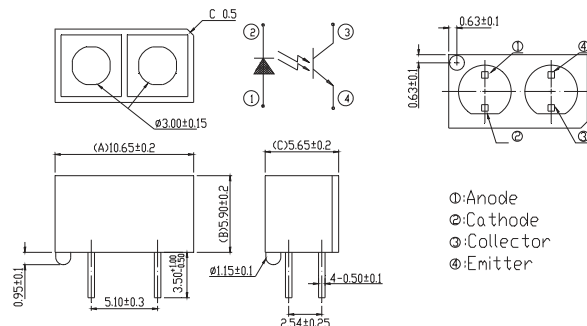
UNIT : mm



| Product | Size (LxWxHmm) | V _{F_Typ} (V) | V _{F_Max} (V) | V _{CE(SAT)_Max} (V) | I _{C(ON)_Min} (mA) | I _{CEO_Max.} (nA) |
|----------|----------------|------------------------|------------------------|------------------------------|-----------------------------|----------------------------|
| EAITRDA6 | 11.54x4.2x6 | 1.2 | 1.5 | 0.4 | 0.1 | 100 |



UNIT : mm

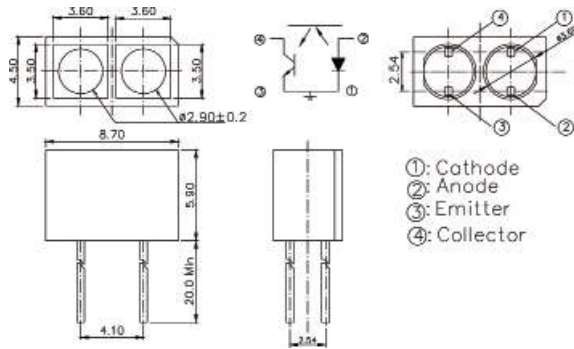


| Product | Size (LxWxHmm) | V _{F_Typ} (V) | V _{F_Max} (V) | V _{CE(SAT)_Max} (V) | I _{C(ON)_Min} (mA) | I _{CEO_Max.} (nA) |
|----------|----------------|------------------------|------------------------|------------------------------|-----------------------------|----------------------------|
| EAITRDA7 | 10.65x5.65x5.9 | 1.2 | 1.5 | 0.4 | 0.5 | 100 |

Optical Sensors | Reflective Sensor



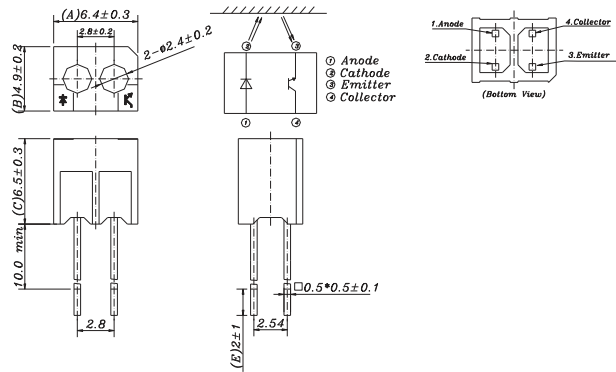
UNIT : mm



| Product | Size (LxWxHmm) | V _{F_Typ} (V) | V _{F_Max} (V) | V _{CE(SAT)_Max} (V) | I _{C(ON)_Min} (mA) | I _{CEO_Max} (nA) |
|----------|----------------|------------------------|------------------------|------------------------------|-----------------------------|---------------------------|
| EAITRDA8 | 8.7x4.5x5.9 | 1.2 | 1.5 | 0.4 | 0.2 | 100 |



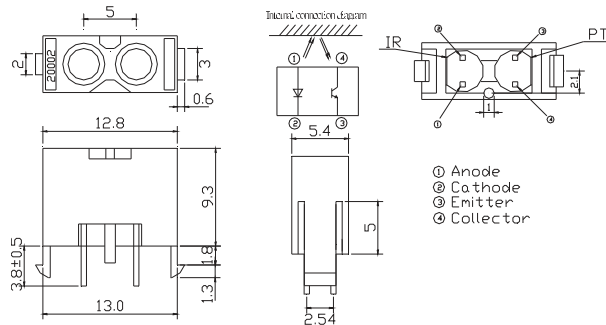
UNIT : mm



| Product | Size (LxWxHmm) | V _{F_Typ} (V) | V _{F_Max} (V) | V _{CE(SAT)_Max} (V) | I _{C(ON)_Min} (mA) | I _{CEO_Max} (nA) |
|----------|----------------|------------------------|------------------------|------------------------------|-----------------------------|---------------------------|
| EAITRBA0 | 6.4x4.9x6.5 | 1.2 | 1.5 | 0.4 | 0.2 | 100 |



UNIT : mm

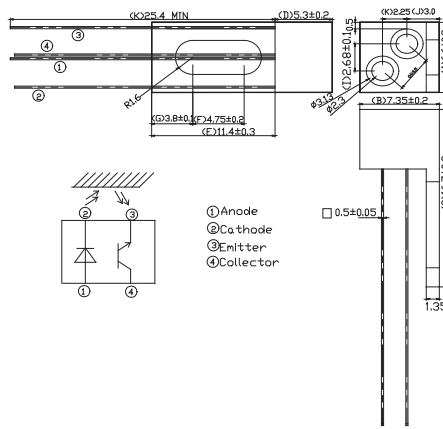


| Product | Size (LxWxHmm) | V _{F_Typ} (V) | V _{F_Max} (V) | V _{CE(SAT)_Max} (V) | I _{C(ON)_Min} (mA) | I _{CEO_Max} (nA) |
|----------|----------------|------------------------|------------------------|------------------------------|-----------------------------|---------------------------|
| EAITRBA1 | 12.8x5.4x9.3 | 1.2 | 1.5 | 0.4 | 0.04 | 100 |

Optical Sensors | Reflective Sensor



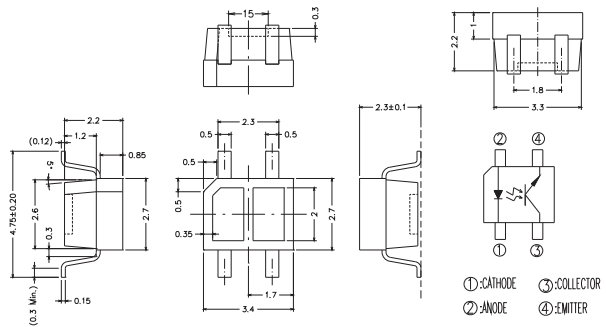
UNIT : mm



| Product | Size (LxWxHmm) | V _{F_Typ} (V) | V _{F_Max} (V) | V _{CE(SAT)_Max} (V) | I _{C(ON)_Min} (mA) | I _{CEO_Max.} (nA) |
|----------|----------------|------------------------|------------------------|------------------------------|-----------------------------|----------------------------|
| EAITRBA5 | 7.35x6.6x5.3 | 1.2 | 1.5 | 0.4 | 0.02 | 100 |



UNIT : mm

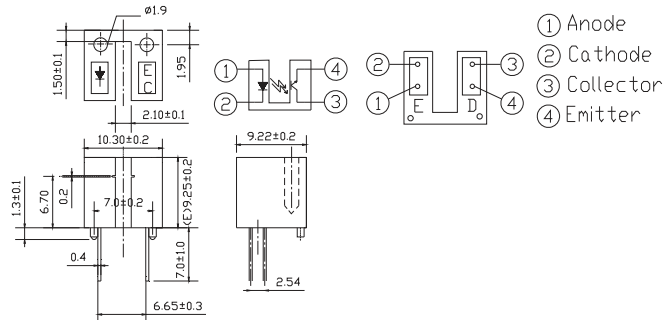


| Product | Size (LxWxHmm) | V _{F_Typ} (V) | V _{F_Max} (V) | V _{CE(SAT)_Max} (V) | I _{C(ON)_Min} (mA) | I _{CEO_Max.} (nA) |
|----------|----------------|------------------------|------------------------|------------------------------|-----------------------------|----------------------------|
| EAITRBA6 | 3.4x2.7x2.2 | 1.2 | 1.6 | 0.4 | 0.1 | 100 |

Optical Sensors | Transmissive Sensor



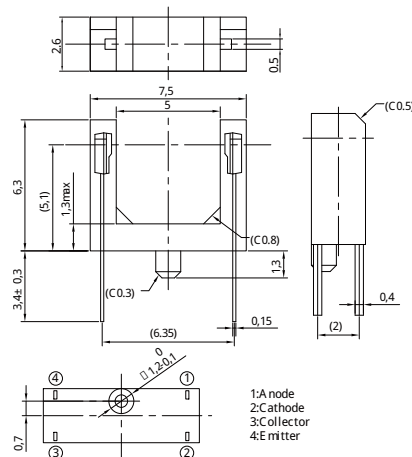
UNIT : mm



| Product | Size (LxWxHmm) | V _{F_Typ} (V) | V _{F_Max} (V) | V _{CE(SAT)_Max} (V) | I _{C(ON)_Min} (mA) | I _{CEO_Max.} (nA) | Gap Distance (mm) |
|----------|----------------|------------------------|------------------------|------------------------------|-----------------------------|----------------------------|-------------------|
| EAITRCA0 | 10.3x9.22x9.25 | 1.2 | 1.5 | 0.4 | 0.9 | 100 | 2.1 |



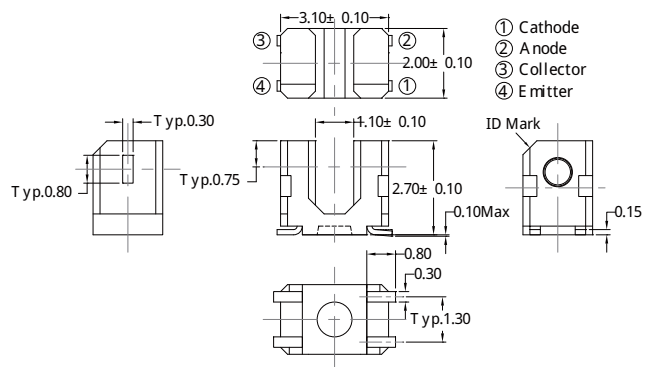
UNIT : mm



| Product | Size (LxWxHmm) | V _{F_Typ} (V) | V _{F_Max} (V) | V _{CE(SAT)_Max} (V) | I _{C(ON)_Min} (mA) | I _{CEO_Max.} (nA) | Gap Distance (mm) |
|----------|----------------|------------------------|------------------------|------------------------------|-----------------------------|----------------------------|-------------------|
| EAITRAA0 | 7.5x2.6x6.3 | 1.18 | 1.4 | 0.4 | 0.25 | 100 | 5 |

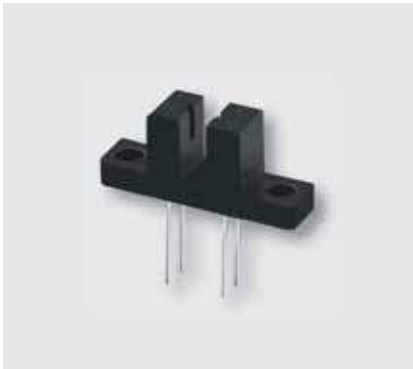


UNIT : mm

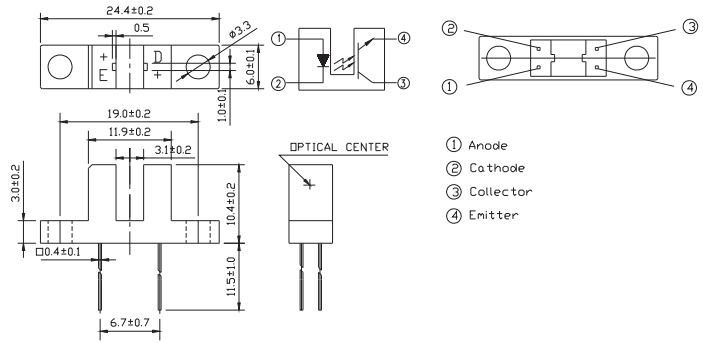


| Product | Size (LxWxHmm) | V _{F_Typ} (V) | V _{F_Max} (V) | V _{CE(SAT)_Max} (V) | I _{C(ON)_Min} (mA) | I _{CEO_Max.} (nA) | Gap Distance (mm) |
|----------|----------------|------------------------|------------------------|------------------------------|-----------------------------|----------------------------|-------------------|
| EAITRAA1 | 3.1x2x2.7 | 1.2 | 1.4 | 0.4 | 0.15 | 100 | 1.1 |

Optical Sensors | Transmissive Sensor



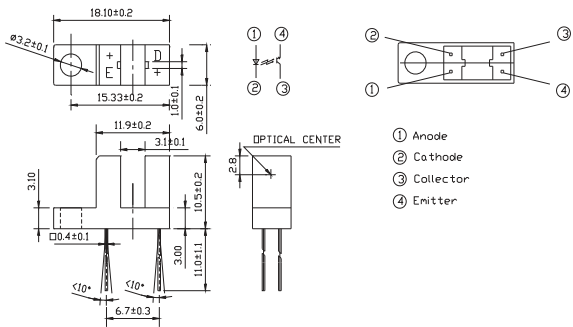
UNIT : mm



| Product | Size (LxWxHmm) | V _{F_Typ} (V) | V _{F_Max} (V) | V _{CE(SAT)_Max} (V) | I _{C(ON)_Min} (mA) | I _{CEO_Max.} (nA) | Gap Distance (mm) |
|----------|----------------|------------------------|------------------------|------------------------------|-----------------------------|----------------------------|-------------------|
| EAITRCA1 | 24.4x6x10.4 | 1.2 | 1.5 | 0.4 | 0.9 | 100 | 3 |

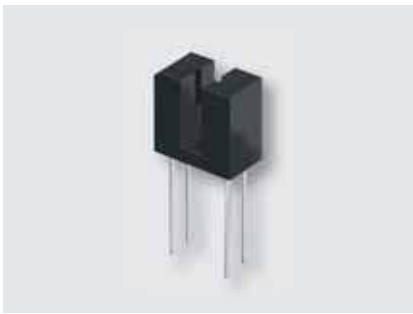


UNIT : mm

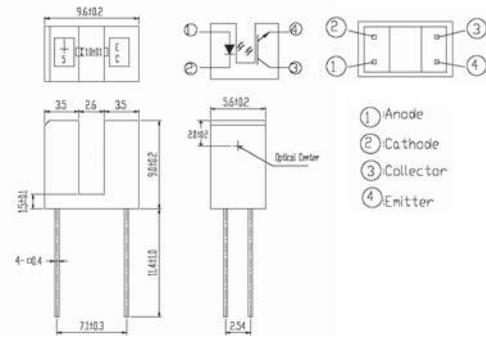


| Product | Size (LxWxHmm) | V _{F_Typ} (V) | V _{F_Max} (V) | V _{CE(SAT)_Max} (V) | I _{C(ON)_Min} (mA) | I _{CEO_Max.} (nA) | Gap Distance (mm) |
|----------|----------------|------------------------|------------------------|------------------------------|-----------------------------|----------------------------|-------------------|
| EAITRCA2 | 18.1x6x10.5 | 1.2 | 1.5 | 0.4 | 0.9 | 100 | 3 |

Optical Sensors | Transmissive Sensor



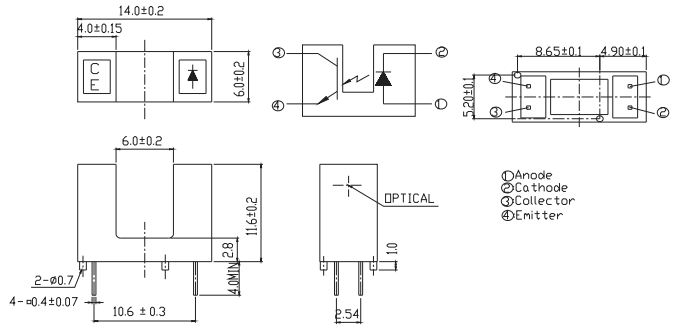
UNIT : mm



| Product | Size (LxWxHmm) | V _{F_Typ} (V) | V _{F_Max} (V) | V _{CE(SAT)_Max} (V) | I _{C(ON)_Min} (mA) | I _{CEO_Max.} (nA) | Gap Distance (mm) |
|----------|----------------|------------------------|------------------------|------------------------------|-----------------------------|----------------------------|-------------------|
| EAITRCA3 | 9.6x5.6x9 | 1.2 | 1.6 | 0.4 | 1 | 100 | 2.6 |



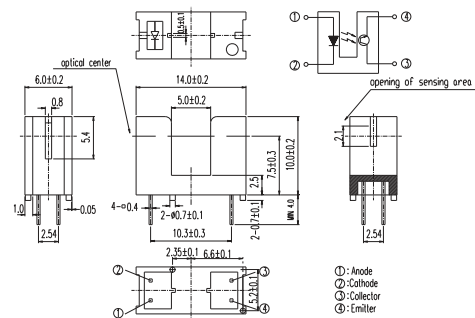
UNIT : mm



| Product | Size (LxWxHmm) | V _{F_Typ} (V) | V _{F_Max} (V) | V _{CE(SAT)_Max} (V) | I _{C(ON)_Min} (mA) | I _{CEO_Max.} (nA) | Gap Distance (mm) |
|----------|----------------|------------------------|------------------------|------------------------------|-----------------------------|----------------------------|-------------------|
| EAITRCB0 | 14.0x6x11.6 | 1.2 | 1.5 | 0.4 | 0.5 | 100 | 6 |



UNIT : mm

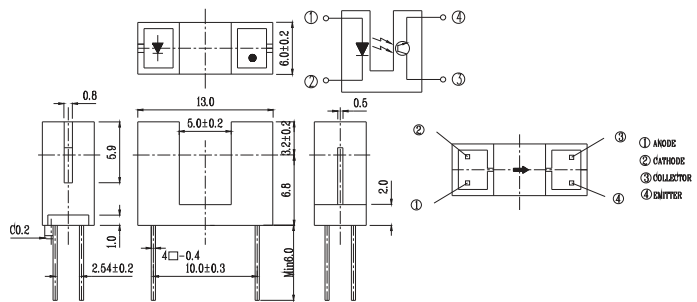


| Product | Size (LxWxHmm) | V _{F_Typ} (V) | V _{F_Max} (V) | V _{CE(SAT)_Max} (V) | I _{C(ON)_Min} (mA) | I _{CEO_Max.} (nA) | Gap Distance (mm) |
|----------|----------------|------------------------|------------------------|------------------------------|-----------------------------|----------------------------|-------------------|
| EAITRDA0 | 14x6x10 | 1.2 | 1.5 | 0.4 | 0.5 | 100 | 5 |

Optical Sensors | Transmissive Sensor



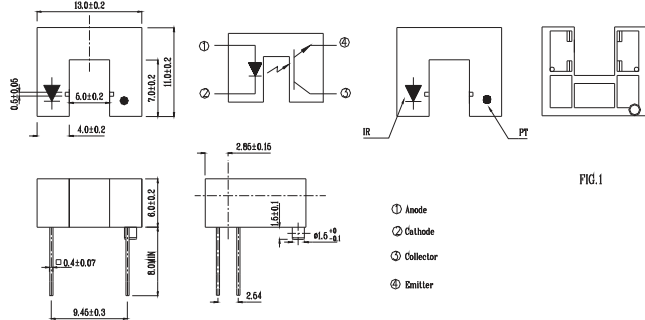
UNIT : mm



| Product | Size (LxWxHmm) | V _{F_Typ} (V) | V _{F_Max} (V) | V _{CE(SAT)_Max} (V) | I _{C(ON)_Min} (mA) | I _{CEO_Max.} (nA) | Gap Distance (mm) |
|----------|----------------|------------------------|------------------------|------------------------------|-----------------------------|----------------------------|-------------------|
| EAITRDA1 | 13x6x10 | 1.2 | 1.5 | 0.4 | 0.5 | 100 | 5 |



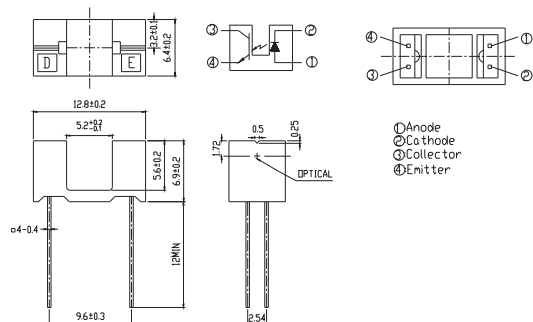
UNIT : mm



| Product | Size (LxWxHmm) | V _{F_Typ} (V) | V _{F_Max} (V) | V _{CE(SAT)_Max} (V) | I _{C(ON)_Min} (mA) | I _{CEO_Max.} (nA) | Gap Distance (mm) |
|----------|----------------|------------------------|------------------------|------------------------------|-----------------------------|----------------------------|-------------------|
| EAITRDA2 | 13x11x6 | 1.2 | 1.5 | 0.4 | 0.5 | 100 | 4 |

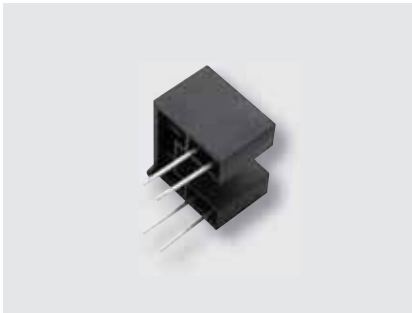


UNIT : mm

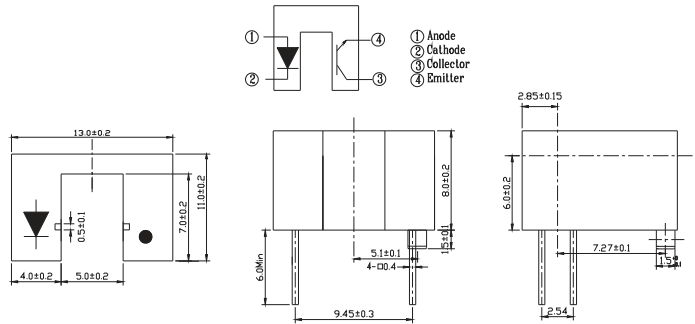


| Product | Size (LxWxHmm) | V _{F_Typ} (V) | V _{F_Max} (V) | V _{CE(SAT)_Max} (V) | I _{C(ON)_Min} (mA) | I _{CEO_Max.} (nA) | Gap Distance (mm) |
|----------|----------------|------------------------|------------------------|------------------------------|-----------------------------|----------------------------|-------------------|
| EAITRDA3 | 12.8x6.4x6.9 | 1.2 | 1.5 | 0.4 | 0.5 | 100 | 5.2 |

Optical Sensors | Transmissive Sensor



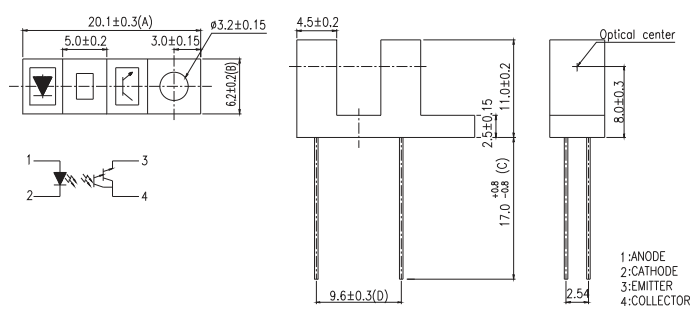
UNIT : mm



| Product | Size (LxWxHmm) | V _{F_Typ} (V) | V _{F_Max} (V) | V _{CE(SAT)_Max} (V) | I _{C(ON)_Min} (mA) | I _{CEO_Max.} (nA) | Gap Distance (mm) |
|----------|----------------|------------------------|------------------------|------------------------------|-----------------------------|----------------------------|-------------------|
| EAITRDA4 | 13x11x8 | 1.2 | 1.5 | 0.4 | 1 | 100 | 5 |



UNIT : mm

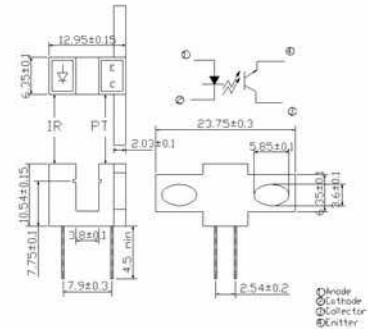


| Product | Size (LxWxHmm) | V _{F_Typ} (V) | V _{F_Max} (V) | V _{CE(SAT)_Max} (V) | I _{C(ON)_Min} (mA) | I _{CEO_Max.} (nA) | Gap Distance (mm) |
|----------|----------------|------------------------|------------------------|------------------------------|-----------------------------|----------------------------|-------------------|
| EAITRDA5 | 20.1x6.2x11 | 1.2 | 1.5 | 0.4 | 0.5 | 100 | 5 |

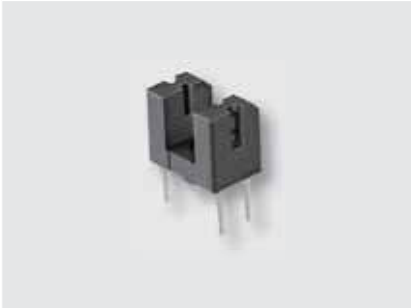
Optical Sensors | Transmissive Sensor



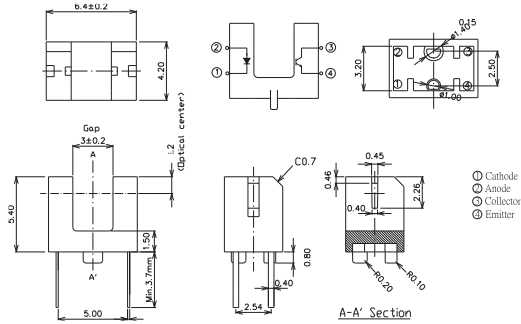
UNIT : mm



| Product | Size (LxWxHmm) | V _{F_Typ} (V) | V _{F_Max} (V) | V _{CE(SAT)_Max} (V) | I _{C(ON)_Min} (mA) | I _{CEO_Max.} (nA) | Gap Distance (mm) |
|----------|----------------|------------------------|------------------------|------------------------------|-----------------------------|----------------------------|-------------------|
| EAITRBA2 | 23.7x13x10.5 | 1.2 | 1.5 | 0.4 | 0.6 | 100 | 3.8 |



UNIT : mm

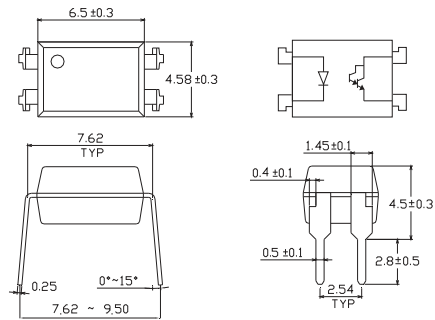


| Product | Size (LxWxHmm) | V _{F_Typ} (V) | V _{F_Max} (V) | V _{CE(SAT)_Max} (V) | I _{C(ON)_Min} (mA) | I _{CEO_Max.} (nA) | Gap Distance (mm) |
|----------|----------------|------------------------|------------------------|------------------------------|-----------------------------|----------------------------|-------------------|
| EAITRBA4 | 6.4x4.2x5.4 | 1.2 | 1.6 | 0.4 | 0.2 | 100 | 3 |

Photo Coupler | Darlington Transistor | 4Pin DIP-DC



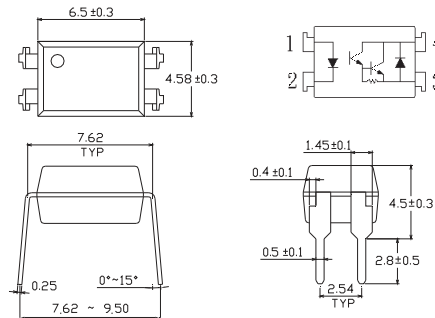
UNIT : mm



| Product | Size (LxWxHmm) | V_F _Typ (V) | Rise / Fall Time (μ s) | BV_{CEO_Min} (V) | CTR (%) | Viso (V_{rms}) | $V_{CE(SAT)_Max}$ (V) |
|---------|----------------|----------------|-----------------------------|---------------------|----------|--------------------|------------------------|
| EL815 | 6.5x4.58x3.5 | 1.2 | 60 / 53 | 35 | 600~7500 | 5000 | 1 |



UNIT : mm

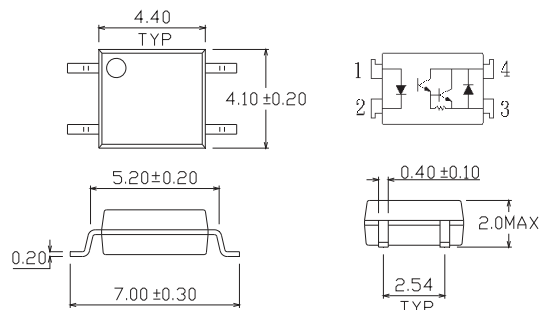


| Product | Size (LxWxHmm) | V_F _Typ (V) | Rise / Fall Time (μ s) | BV_{CEO_Min} (V) | CTR (%) | Viso (V_{rms}) | $V_{CE(SAT)_Max}$ (V) |
|---------|----------------|----------------|-----------------------------|---------------------|------------|--------------------|------------------------|
| EL852 | 6.5x4.58x3.5 | 1.2 | 300 / 100 | 350 | 1000~15000 | 5000 | 1.2 |

Photo Coupler | Darlington Transistor | 4Pin SOP-DC



UNIT : mm

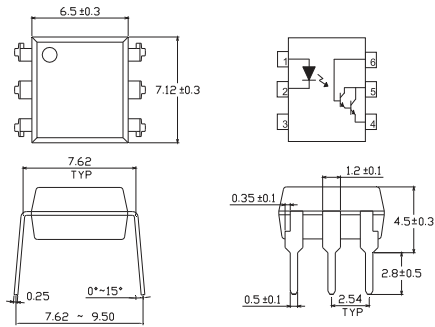


| Product | Size (LxWxHmm) | V_F _Typ (V) | Rise / Fall Time (μ s) | BV_{CEO_Min} (V) | CTR (%) | Viso (V_{rms}) | $V_{CE(SAT)_Max}$ (V) |
|---------|----------------|----------------|-----------------------------|---------------------|-----------|--------------------|------------------------|
| EL452-G | 4.4x4.1x2 | 1.2 | 300 / 100 | 350 | 1000 min. | 3750 | 1.5 |

Photo Coupler | Darlington Transistor | 6Pin DIP-DC



UNIT : mm

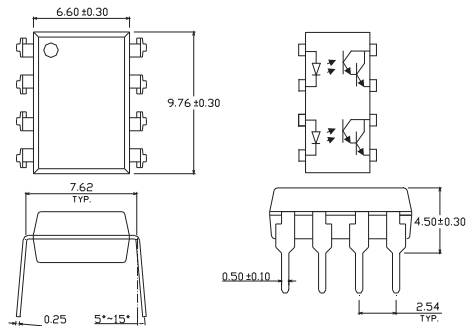


| Product | Size (LxWxHmm) | V _{F_Typ} (V) | Rise / Fall Time (μs) | BV _{CEO_Min} (V) | CTR (%) | Viso (V _{rms}) | V _{CE(SAT)_Max} (V) |
|---------|----------------|------------------------|-----------------------|---------------------------|----------|--------------------------|------------------------------|
| 4N29 | 7.12x6.5x3.5 | 1.2 | 5 / 40 | 55 | 100 min. | 5000 | 1 |
| 4N30 | 7.12x6.5x3.5 | 1.2 | 5 / 40 | 55 | 100 min. | 5000 | 1 |
| 4N31 | 7.12x6.5x3.5 | 1.2 | 5 / 40 | 55 | 50 min. | 5000 | 1.2 |
| 4N32 | 7.12x6.5x3.5 | 1.2 | 5 / 100 | 55 | 500 min. | 5000 | 1 |
| 4N33 | 7.12x6.5x3.5 | 1.2 | 5 / 100 | 55 | 500 min. | 5000 | 1 |
| H11B1 | 7.12x6.5x3.5 | 1.2 | 25 / 18 | 55 | 500 min. | 5000 | 1 |
| H11B2 | 7.12x6.5x3.5 | 1.2 | 25 / 18 | 55 | 200 min. | 5000 | 1 |
| H11B3 | 7.12x6.5x3.5 | 1.2 | 25 / 18 | 55 | 100 min. | 5000 | 1 |
| H11B255 | 7.12x6.5x3.5 | 1.2 | 25 / 18 | 55 | 100 min. | 5000 | 1 |
| TIL113 | 7.12x6.5x3.5 | 1.2 | 5 / 100 | 55 | 300 min. | 5000 | 1.2 |

Photo Coupler | Darlington Transistor | 8Pin DIP-DC



UNIT : mm

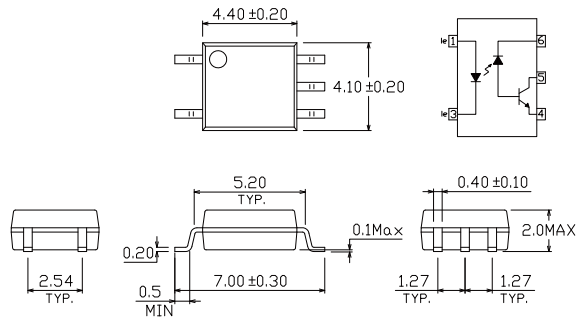


| Product | Size (LxWxHmm) | V _{F_Typ} (V) | Rise / Fall Time (μs) | BV _{CEO_Min} (V) | CTR (%) | Viso (V _{rms}) | V _{CE(SAT)_Max} (V) |
|---------|----------------|------------------------|-----------------------|---------------------------|----------|--------------------------|------------------------------|
| EL825 | 9.76x6.6x3.5 | 1.2 | 60 / 53 | 40 | 600~7500 | 5000 | 1 |

Photo Coupler | High Speed | 5Pin SOP



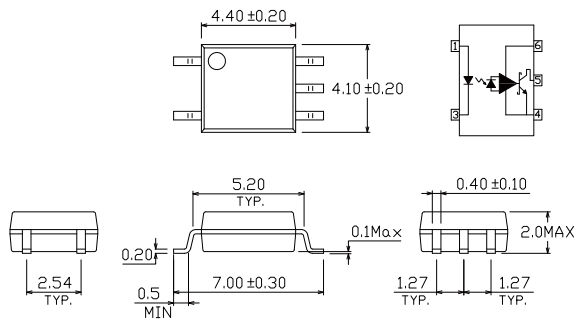
UNIT : mm



| Product | Size (LxWxHmm) | tPHL / tPLH (ns) | Supply Voltage (V) | CTR (%) | Viso (V _{rms}) | CMR (V/us) | I _O (mA) |
|---------|----------------|------------------|--------------------|---------|--------------------------|------------|---------------------|
| ELM452 | 4.4x4.1x2 | 800 / 800 | 30 max. | 20~50 | 3750 | 5000 | 8 max. |
| ELM453 | 4.4x4.1x2 | 800 / 800 | 30 max. | 20~50 | 3750 | 15000 | 8 max. |
| ELM453L | 4.4x4.1x2 | 800 / 800 | 30 | 20~50 | 3750 | 15000 | 8 max |



UNIT : mm

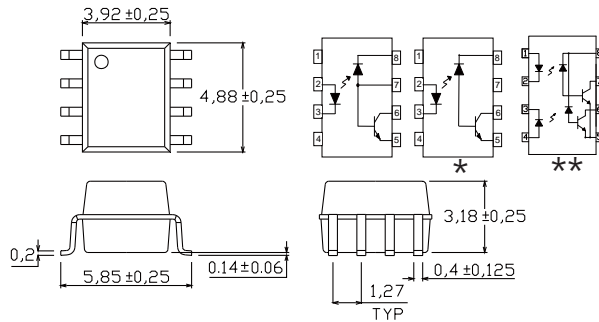


| Product | Size (LxWxHmm) | tPHL / tPLH (ns) | Supply Voltage (V) | I _{FT} (mA) | Viso (V _{rms}) | CMR (V/us) | I _O (mA) |
|---------|----------------|------------------|--------------------|----------------------|--------------------------|------------|---------------------|
| ELM600 | 4.4x4.1x2 | 100 / 100 | 7 max. | 5 | 3750 | - | 50 max. |
| ELM601 | 4.4x4.1x2 | 100 / 100 | 7 max. | 5 | 3750 | 5000 | 50 max. |
| ELM611 | 4.4x4.1x2 | 100 / 100 | 7 max. | 5 | 3750 | 20000 | 50 max. |

Photo Coupler | High Speed | 8Pin SOP



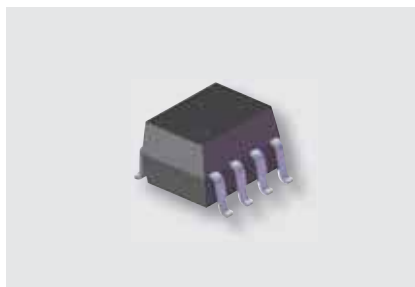
UNIT : mm



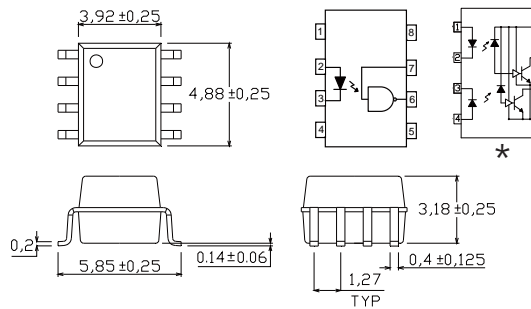
| Product | Size (LxWxHmm) | tPHL / tPLH (ns) | Supply Voltage (V) | CTR (%) | Viso (V _{rms}) | CMR (V/us) | I _O (mA) |
|----------|----------------|------------------|--------------------|---------|--------------------------|------------|---------------------|
| *EL0452 | 4.88x3.92x3.18 | 1000 / 1000 | 30 max. | 19~50 | 3750 | 1000 | 8 max. |
| *EL0453 | 4.88x3.92x3.18 | 1000 / 1000 | 30 max. | 19~50 | 3750 | 15000 | 8 max. |
| EL0500 | 4.88x3.92x3.18 | 2000 / 2000 | 30 max. | 7~50 | 3750 | 1000 | 8 max. |
| EL0501 | 4.88x3.92x3.18 | 1000 / 1000 | 30 max. | 19~50 | 3750 | 1000 | 8 max. |
| EL050L | 4.88x3.92x3.18 | 800 / 800 | 30 max. | 20~50 | 3750 | 15000 | 8 max. |
| **EL0530 | 4.88x3.92x3.18 | 2000 / 2000 | 30 max. | 7~50 | 3750 | 1000 | 8 max. |
| **EL0531 | 4.88x3.92x3.18 | 1000 / 1000 | 30 max. | 19~50 | 3750 | 1000 | 8 max. |

Star mark * : Please refer to the schematic of Pin configuration with " * * * ** "mark

Photo Coupler



UNIT : mm



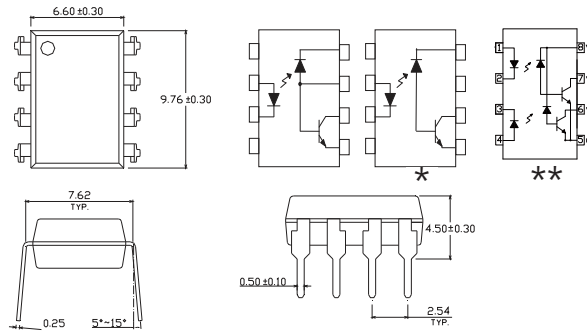
| Product | Size (LxWxHmm) | tPHL / tPLH (ns) | Supply Voltage (V) | I _{FT} (mA) | Viso (V _{rms}) | CMR (V/us) | I _O (mA) |
|---------|----------------|------------------|--------------------|----------------------|--------------------------|------------|---------------------|
| EL0600 | 4.88x3.92x3.18 | 75 / 75 | 7 max. | 5 | 3750 | -- | 50 max. |
| EL0601 | 4.88x3.92x3.18 | 75 / 75 | 7 max. | 5 | 3750 | 5000 | 50 max. |
| EL0611 | 4.88x3.92x3.18 | 75 / 75 | 7 max. | 5 | 3750 | 10000 | 50 max. |
| EL060L | 4.88x3.92x3.18 | 75 / 75 | 7 max. | 5 | 3750 | 10000 | 50 max. |
| *EL0630 | 4.88x3.92x3.18 | 100 / 100 | 7 max. | 5 | 3750 | 5000 | 50 max. |
| *EL0631 | 4.88x3.92x3.18 | 100 / 100 | 7 max. | 5 | 3750 | 10000 | 50 max. |

Star mark * : Please refer to the schematic of Pin configuration with " * " mark

Photo Coupler | High Speed | 8Pin DIP



UNIT : mm

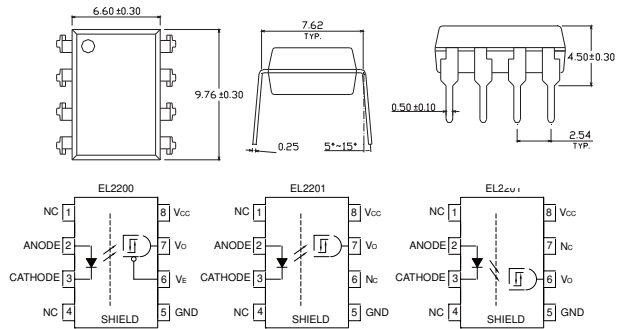


| Product | Size (LxWxHmm) | tPHL / tPLH (ns) | Supply Voltage (V) | CTR (%) | Viso (V _{rms}) | CMR (V/us) | I _O (mA) |
|----------|----------------|------------------|--------------------|---------|--------------------------|------------|---------------------|
| 6N135 | 9.76x6.6x3.5 | 2000 / 2000 | 30 max. | 7~50 | 5000 | 1000 | 8 max. |
| 6N136 | 9.76x6.6x3.5 | 1000 / 1000 | 30 max. | 19~50 | 5000 | 1000 | 8 max. |
| EL250L | 9.76x6.6x3.5 | 1000 / 1000 | 30 max. | 15~50 | 5000 | 15000 | 8 max |
| *EL4502 | 9.76x6.6x3.5 | 1000 / 1000 | 30 max. | 19~50 | 5000 | 1000 | 8 max. |
| *EL4503 | 9.76x6.6x3.5 | 1000 / 1000 | 30 max. | 19~50 | 5000 | 15000 | 8 max. |
| *EL4504 | 9.76x6.6x3.5 | 400 / 400 | 30 max. | 25~60 | 5000 | 15000 | 8 max. |
| **EL2530 | 9.76x6.6x3.5 | 2000 / 2000 | 30 max. | 7~50 | 5000 | 1000 | 8 max. |
| **EL2531 | 9.76x6.6x3.5 | 1000 / 1000 | 30 max. | 19~50 | 5000 | 1000 | 8 max. |

Star mark * : Please refer to the schematic of Pin configuration with " * " " ** " mark



UNIT : mm

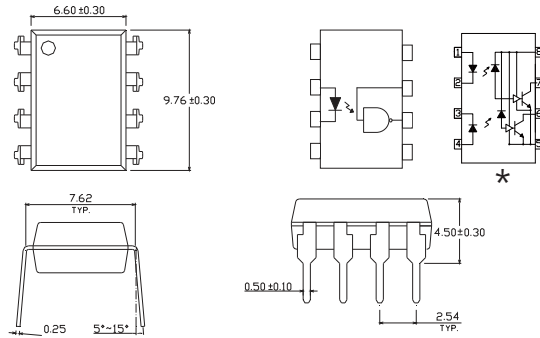


| Product | Size (LxWxHmm) | tPHL / tPLH (ns) | Supply Voltage (V) | I _{FT} (mA) | Viso (V _{rms}) | CMR (V/us) | I _O (mA) |
|---------|----------------|------------------|--------------------|----------------------|--------------------------|------------|---------------------|
| EL2200 | 9.76x6.6x3.5 | 300 / 300 | 20 max | 1.6 | 5000 | 1000 | 25 max |
| EL2201 | 9.76x6.6x3.5 | 300 / 300 | 20 max | 1.6 | 5000 | 1000 | 25 max |
| EL2202 | 9.76x6.6x3.5 | 300 / 300 | 20 max | 1.6 | 5000 | 1000 | 25 max |

Photo Coupler | High Speed | 8Pin DIP



UNIT : mm



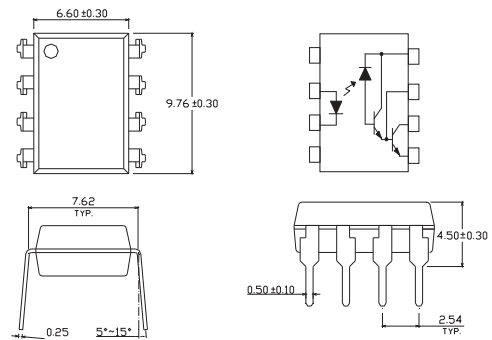
| Product | Size (LxWxHmm) | tPHL / tPLH (ns) | Supply Voltage (V) | I _{FT} (mA) | Viso (V _{rms}) | CMR (V/us) | I _O (mA) |
|---------|----------------|------------------|--------------------|----------------------|--------------------------|------------|---------------------|
| 6N137 | 9.76x6.6x3.5 | 75 / 75 | 7 max. | 5 | 5000 | - | 50 max. |
| EL2601 | 9.76x6.6x3.5 | 75 / 75 | 7 max. | 5 | 5000 | 5000 | 50 max. |
| EL2611 | 9.76x6.6x3.5 | 75 / 75 | 7 max. | 5 | 5000 | 10000 | 50 max. |
| EL260L | 9.76x6.6x3.5 | 75 / 75 | 7 max. | 5 | 5000 | 10000 | 50 max. |
| *EL2630 | 9.76x6.6x3.5 | 100 / 100 | 7 max. | 5 | 5000 | 5000 | 50 max. |
| *EL2631 | 9.76x6.6x3.5 | 100 / 100 | 7 max. | 5 | 5000 | 10000 | 50 max. |

Star mark * : Please refer to the schematic of Pin configuration with " * " mark

Photo Coupler



UNIT : mm

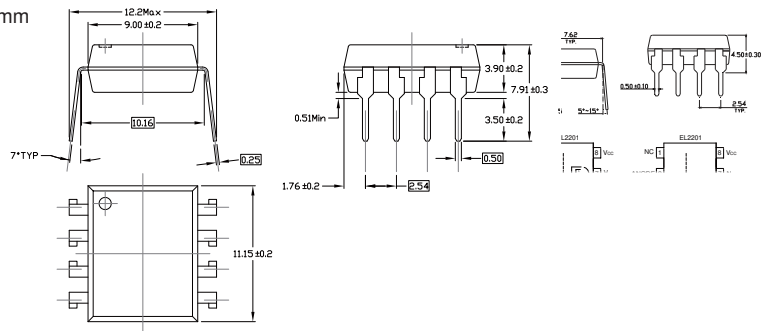


| Product | Size (LxWxHmm) | tPHL / tPLH (ns) | Supply Voltage (V) | CTR (%) | Viso (V _{rms}) | CMR (V/us) | I _O (mA) |
|---------|----------------|------------------|--------------------|----------|--------------------------|------------|---------------------|
| 6N138 | 9.76x6.6x3.5 | 15000 / 50000 | 7 max. | 300 min. | 5000 | 1000 | 60 max. |
| 6N139 | 9.76x6.6x3.5 | 30000 / 90000 | 18 max. | 500 min. | 5000 | 1000 | 60 max. |

Photo Coupler | High Speed | 8Pin Wide Body DIP



UNIT : mm

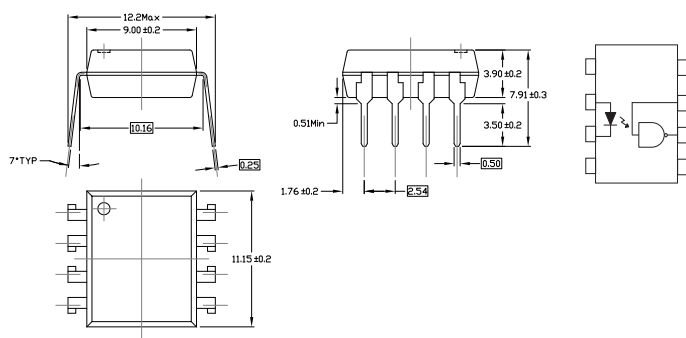


| Product | Size (LxWxHmm) | tPHL / tPLH (ns) | Supply Voltage (V) | CTR (%) | Viso (V _{rms}) | CMR (V/us) | I _O (mA) |
|----------|----------------|------------------|--------------------|---------|--------------------------|------------|---------------------|
| ELW135 | 11.15×9×3.9 | 2000 / 2000 | 30 max. | 7~50 | 5000 | 1000 | 8 max. |
| ELW136 | 11.15×9×3.9 | 1000 / 1000 | 30 max. | 19~50 | 5000 | 1000 | 8 max. |
| *ELW4503 | 11.15×9×3.9 | 1000 / 1000 | 30 max. | 19~50 | 5000 | 15000 | 8 max. |

Star mark * : Please refer to the schematic of Pin configuration with " * " mark

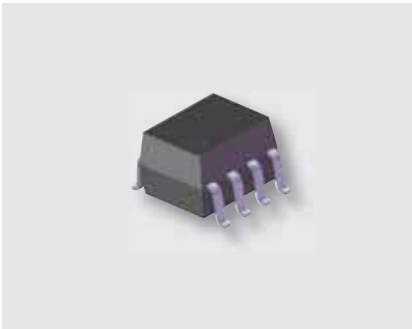


UNIT : mm

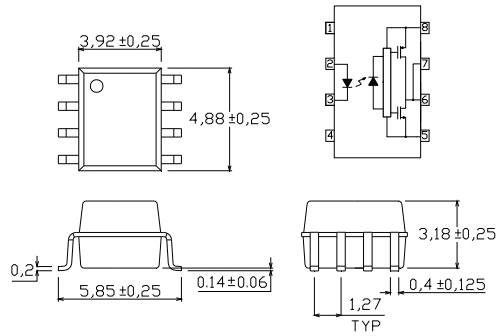


| Product | Size (LxWxHmm) | tPHL / tPLH (ns) | Supply Voltage (V) | I _{FT} (mA) | Viso (V _{rms}) | CMR (V/us) | I _O (mA) |
|---------|----------------|------------------|--------------------|----------------------|--------------------------|------------|---------------------|
| ELW137 | 11.15×9×3.9 | 100 / 100 | 7 max. | 5 | 5000 | - | 50 max. |
| ELW2601 | 11.15×9×3.9 | 100 / 100 | 7 max. | 5 | 5000 | 5000 | 50 max. |
| ELW2611 | 11.15×9×3.9 | 100 / 100 | 7 max. | 5 | 5000 | 10000 | 50 max. |

Photo Coupler | IGBT/MOSFET Gate Driver | 8Pin SOP



UNIT : mm



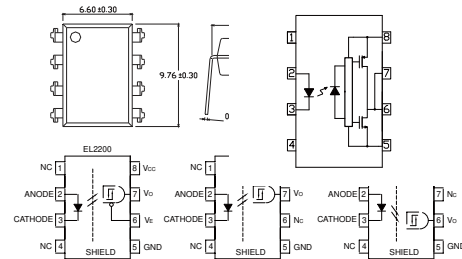
| Product | Size (LxWxHmm) | tPHL / tPLH (ns) | Vcc (V) | Viso (V _{rms}) | CMR (V/us) | I _O (A) |
|---------|----------------|------------------|---------|--------------------------|------------|--------------------|
| EL0314 | 4.88x3.92x3.18 | 300 / 300 | 35 | 3750 | 15000 | 0.6 |

• Product Availability : Please visit EVERLIGHT AMERICAS website for updated information (www.everlightamericas.com) or contact EVERLIGHT AMERICAS sales for regional options.

Photo Coupler | IGBT/MOSFET Gate Driver | 8Pin DIP



UNIT : mm

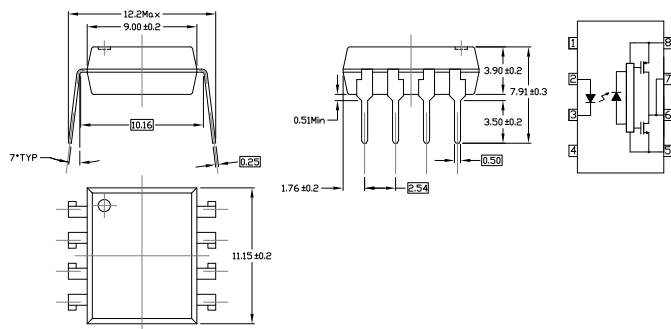


| Product | Size (LxWxHmm) | tPHL / tPLH (ns) | Vcc (V) | Viso (V _{rms}) | CMR (V/us) | I _O (A) |
|---------|----------------|------------------|---------|--------------------------|------------|--------------------|
| EL3120 | 9.76x6.6x3.5 | 300 / 300 | 35 | 5000 | 15000 | 2.5 |
| EL3140 | 9.76x6.6x3.5 | 200 / 200 | 35 | 5000 | 15000 | 0.6 |
| EL3150 | 9.76x6.6x3.5 | 200 / 200 | 35 | 5000 | 15000 | 1 |

Photo Coupler | IGBT/MOSFET Gate Driver | 8Pin Wide Body DIP



UNIT : mm

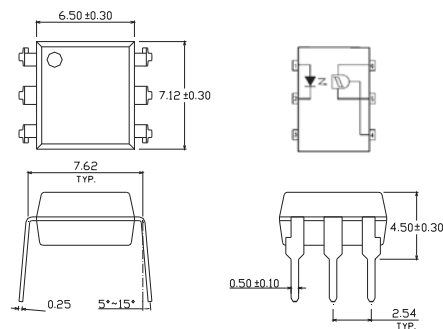


| Product | Size (LxWxHmm) | tPHL / tPLH (ns) | Vcc (V) | Viso (V _{rms}) | CMR (V/us) | I _O (A) |
|---------|----------------|------------------|---------|--------------------------|------------|--------------------|
| ELW3120 | 11.15x9x3.9 | 300 / 300 | 35 | 5000 | 20000 | 2.5 |

Photo Coupler | Schmitt Trigger | 6Pin DIP



UNIT : mm



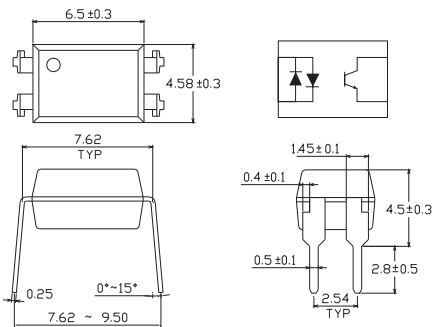
| Product | Size (LxWxHmm) | Rise / Fall Time (μs) | Supply Voltage (V) | Viso (V _{rms}) | I _{FT} (mA) | I _{CC_Max} (mA) | I _O (mA) |
|---------|----------------|-----------------------|--------------------|--------------------------|----------------------|--------------------------|---------------------|
| H11L1 | 7.12x6.5x3.5 | 0.1 / 0.1 | 3~15 | 5000 | 1.6 | 5 | 0.1 |

Photo Coupler

Photo Coupler | Transistor | 4Pin DIP-AC



UNIT : mm

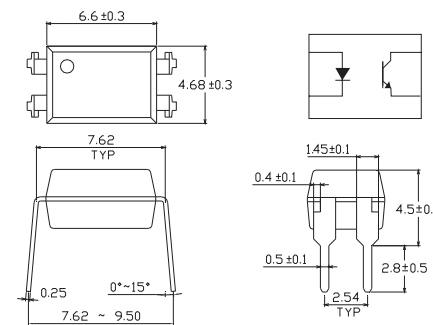


| Product | Size (LxWxHmm) | V _{F_Typ} (V) | Rise / Fall Time (μs) | BV _{CEO_Min} (V) | CTR (%) | Viso (V _{rms}) | V _{CE(SAT)_Max} (V) |
|---------|----------------|------------------------|-----------------------|---------------------------|---------|--------------------------|------------------------------|
| EL814 | 6.5x4.58x3.5 | 1.2 | 7 / 11 | 80 | 20~300 | 5000 | 0.2 |

Photo Coupler | Transistor | 4Pin DIP-DC



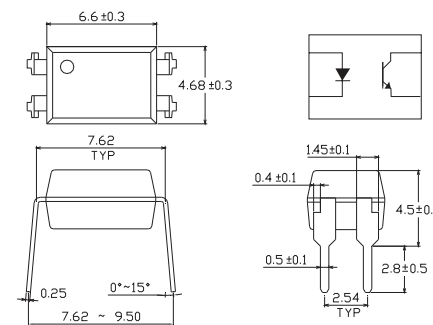
UNIT : mm



| Product | Size (LxWxHmm) | V _{F_Typ} (V) | Rise / Fall Time (μs) | BV _{CEO_Min} (V) | CTR (%) | Viso (V _{rms}) | V _{CE(SAT)_Max} (V) |
|---------|----------------|------------------------|-----------------------|---------------------------|---------|--------------------------|------------------------------|
| EL816 | 6.5x4.58x3.5 | 1.2 | 4 / 3 | 80 | 50~600 | 5000 | 0.2 |
| EL817 | 6.5x4.58x3.5 | 1.2 | 4 / 3 | 35 | 50~600 | 5000 | 0.2 |
| EL817-G | 6.5x4.58x3.5 | 1.2 | 6 / 8 | 80 | 50~600 | 5000 | 0.2 |
| EL851 | 6.5x4.58x3.5 | 1.2 | 4 / 5 | 350 | 50~600 | 5000 | 0.4 |



UNIT : mm

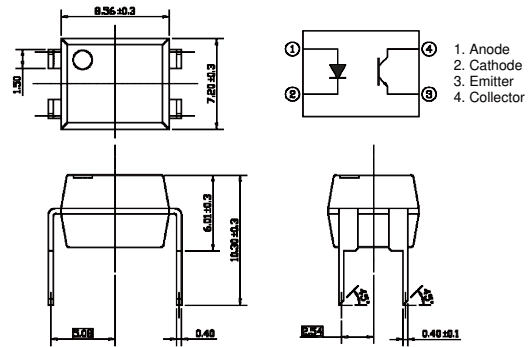


| Product | Size (LxWxHmm) | V _{F_Typ} (V) | Rise / Fall Time (μs) | BV _{CEO_Min} (V) | CTR (%) | Viso (V _{rms}) | V _{CE(SAT)_Max} (V) |
|---------|----------------|------------------------|-----------------------|---------------------------|---------|--------------------------|------------------------------|
| EL617 | 6.6x4.68x3.5 | 1.2 | 4 / 3 | 80 | 50~600 | 5000 | 0.2 |

Photo Coupler | Transistor | 4Pin High Isolation



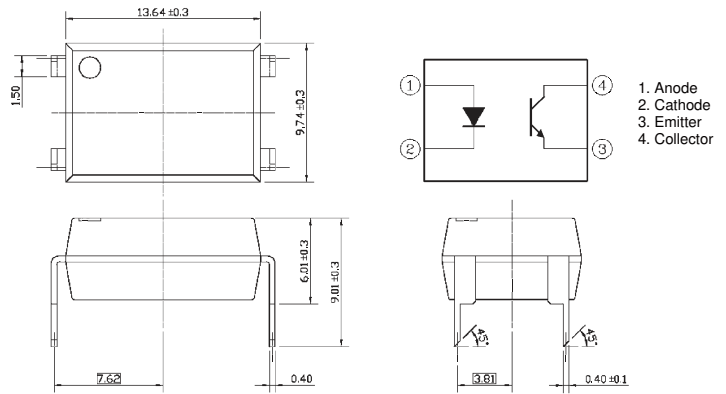
UNIT : mm



| Product | Size (LxWxHmm) | V _{F_Typ} (V) | Rise / Fall Time (μs) | BV _{CEO_Min} (V) | CTR (%) | Viso (V _{rms}) | V _{CE(SAT)_Max} (V) |
|---------|----------------|------------------------|-----------------------|---------------------------|---------|--------------------------|------------------------------|
| CNY64 | 8.56x7.2x6.01 | 1.6 | 3 / 5 | 80 | 50~300 | 8200 | 0.3 |



UNIT : mm

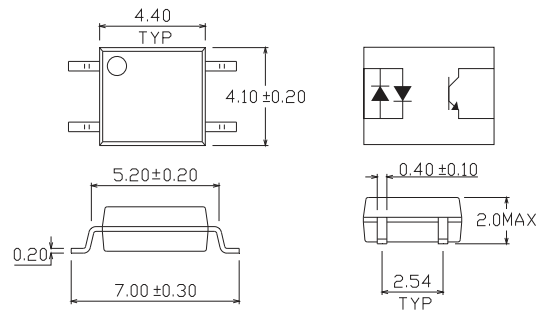


| Product | Size (LxWxHmm) | V _{F_Typ} (V) | Rise / Fall Time (μs) | BV _{CEO_Min} (V) | CTR (%) | Viso (V _{rms}) | V _{CE(SAT)_Max} (V) |
|---------|-----------------|------------------------|-----------------------|---------------------------|---------|--------------------------|------------------------------|
| CNY65 | 13.64x9.74x6.01 | 1.6 | 3 / 5 | 80 | 50~300 | 10000 | 0.3 |

Photo Coupler | Transistor | 4Pin SOP-AC



UNIT : mm

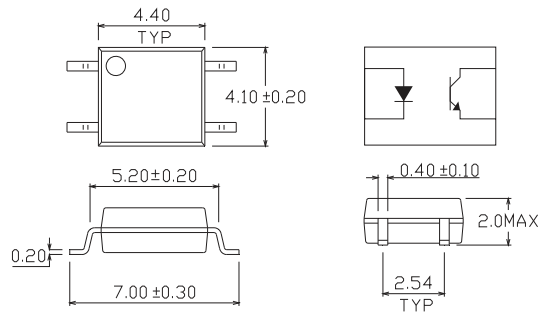


| Product | Size (LxWxHmm) | V _{F_Typ} (V) | Rise / Fall Time (μs) | BV _{CEO_Min} (V) | CTR (%) | Viso (V _{rms}) | V _{CE(SAT)_Max} (V) |
|----------|----------------|------------------------|-----------------------|---------------------------|---------|--------------------------|------------------------------|
| EL354N-G | 4.4x4.1x2 | 1.2 | 6 / 8 | 80 | 20~300 | 3750 | 0.2 |

Photo Coupler | Transistor | 4Pin SOP-DC



UNIT : mm

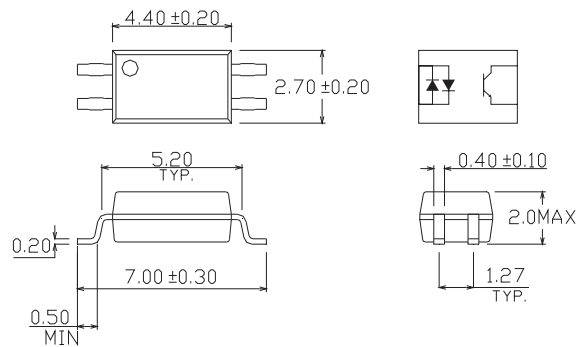


| Product | Size (LxWxHmm) | V _{F_Typ} (V) | Rise / Fall Time (μs) | BV _{CEO_Min} (V) | CTR (%) | Viso (V _{rms}) | V _{CE(SAT)_Max} (V) |
|----------|----------------|------------------------|-----------------------|---------------------------|---------|--------------------------|------------------------------|
| EL357N-G | 4.4x4.1x2 | 1.2 | 3 / 4 | 80 | 50~600 | 3750 | 0.2 |

Photo Coupler | Transistor | 4Pin SSOP-AC



UNIT : mm

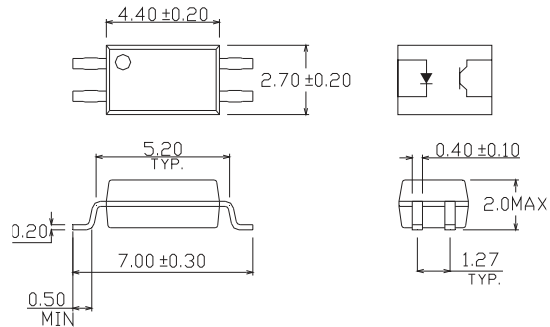


| Product | Size (LxWxHmm) | V _{F_Typ} (V) | Rise / Fall Time (μs) | BV _{CEO_Min} (V) | CTR (%) | Viso (V _{rms}) | V _{CE(SAT)_Max} (V) |
|---------|----------------|------------------------|-----------------------|---------------------------|---------|--------------------------|------------------------------|
| EL3H4-G | 4.4x2.7x2 | 1.2 | 6 / 8 | 80 | 20~300 | 3750 | 0.2 |

Photo Coupler | Transistor | 4Pin SSOP-DC



UNIT : mm

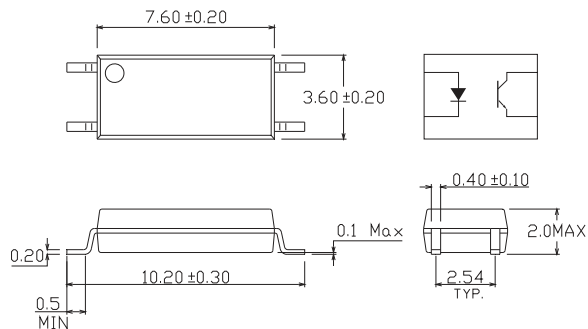


| Product | Size (LxWxHmm) | V _{F_Typ} (V) | Rise / Fall Time (μs) | BV _{CEO_Min} (V) | CTR (%) | Viso (V _{rms}) | V _{CE(SAT)_Max} (V) |
|---------|----------------|------------------------|-----------------------|---------------------------|---------|--------------------------|------------------------------|
| EL3H7-G | 4.4x2.7x2 | 1.2 | 5 / 3 | 80 | 50~600 | 3750 | 0.2 |

Photo Coupler | Transistor | 4Pin Long Creepage



UNIT : mm

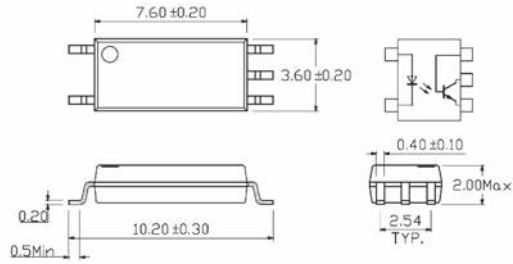


| Product | Size (LxWxHmm) | V _{F_Typ} (V) | Rise / Fall Time (μs) | BV _{CEO_Min} (V) | CTR (%) | Viso (V _{rms}) | V _{CE(SAT)_Max} (V) |
|----------|----------------|------------------------|-----------------------|---------------------------|---------|--------------------------|------------------------------|
| EL1010-G | 7.6x3.6x2 | 1.45 | 2 / 3 | 80 | 50~600 | 5000 | 0.3 |
| EL1012-G | 7.6x3.6x2 | 1.45 | 2 / 3 | 80 | 63~125 | 5000 | 0.3 |
| EL1013-G | 7.6x3.6x2 | 1.45 | 2 / 3 | 80 | 100~200 | 5000 | 0.3 |
| EL1014-G | 7.6x3.6x2 | 1.45 | 2 / 3 | 80 | 160~320 | 5000 | 0.3 |
| EL1017-G | 7.6x3.6x2 | 1.45 | 2 / 3 | 80 | 80~160 | 5000 | 0.3 |
| EL1018-G | 7.6x3.6x2 | 1.45 | 2 / 3 | 80 | 130~260 | 5000 | 0.3 |
| EL1019-G | 7.6x3.6x2 | 1.45 | 2 / 3 | 80 | 200~400 | 5000 | 0.3 |

Photo Coupler | Transistor | 5Pin Long Creepage



UNIT : mm

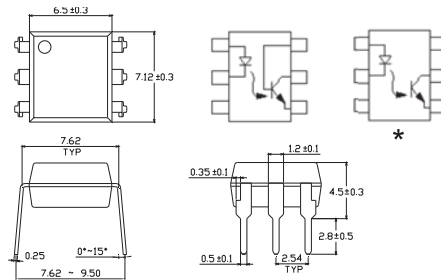


| Product | Size (LxWxHmm) | V _{F_Typ} (V) | Rise / Fall Time (μs) | BV _{CEO_Min} (V) | CTR (%) | Viso (V _{rms}) | V _{CE(SAT)_Max} (V) |
|----------|----------------|------------------------|-----------------------|---------------------------|---------|--------------------------|------------------------------|
| EL1110-G | 7.6x3.6x2 | 1.45 | 2 / 3 | 80 | 50~600 | 5000 | 0.4 |
| EL1112-G | 7.6x3.6x2 | 1.45 | 2 / 3 | 80 | 63~125 | 5000 | 0.4 |
| EL1113-G | 7.6x3.6x2 | 1.45 | 2 / 3 | 80 | 100~200 | 5000 | 0.4 |
| EL1114-G | 7.6x3.6x2 | 1.45 | 2 / 3 | 80 | 160~320 | 5000 | 0.4 |
| EL1116-G | 7.6x3.6x2 | 1.45 | 2 / 3 | 80 | 100~300 | 5000 | 0.4 |
| EL1117-G | 7.6x3.6x2 | 1.45 | 2 / 3 | 80 | 80~160 | 5000 | 0.4 |
| EL1118-G | 7.6x3.6x2 | 1.45 | 2 / 3 | 80 | 130~260 | 5000 | 0.4 |
| EL1119-G | 7.6x3.6x2 | 1.45 | 2 / 3 | 80 | 200~400 | 5000 | 0.4 |

Photo Coupler | Transistor | 6Pin DIP-DC



UNIT : mm



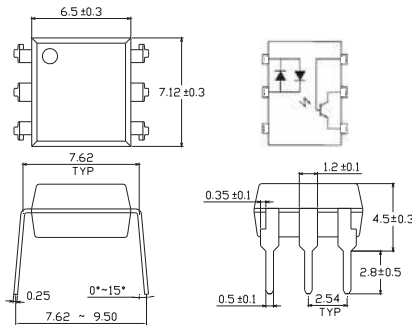
| Product | Size (LxWxHmm) | V _{F_Typ} (V) | Rise / Fall Time (μs) | BV _{CEO_Min} (V) | CTR (%) | Viso (V _{rms}) | V _{CE(SAT)_Max} (V) |
|-----------|----------------|------------------------|-----------------------|---------------------------|----------|--------------------------|------------------------------|
| 4N25 | 7.12x6.5x3.5 | 1.2 | 3 / 3 | 80 | 20 min. | 5000 | 0.5 |
| 4N26 | 7.12x6.5x3.5 | 1.2 | 3 / 3 | 80 | 20 min. | 5000 | 0.5 |
| 4N27 | 7.12x6.5x3.5 | 1.2 | 3 / 3 | 80 | 10 min. | 5000 | 0.5 |
| 4N28 | 7.12x6.5x3.5 | 1.2 | 3 / 3 | 80 | 10 min. | 5000 | 0.5 |
| 4N35 | 7.12x6.5x3.5 | 1.2 | 10 / 9 | 80 | 100 min. | 5000 | 0.3 |
| 4N36 | 7.12x6.5x3.5 | 1.2 | 10 / 9 | 80 | 100 min. | 5000 | 0.3 |
| 4N37 | 7.12x6.5x3.5 | 1.2 | 10 / 9 | 80 | 100 min. | 5000 | 0.3 |
| 4N38 | 7.12x6.5x3.5 | 1.2 | 10 / 9 | 80 | 20 min. | 5000 | 1 |
| CNY17-1 | 7.12x6.5x3.5 | -- | 6 / 8 | 80 | 40~80 | 5000 | 0.3 |
| CNY17-2 | 7.12x6.5x3.5 | -- | 6 / 8 | 80 | 63~125 | 5000 | 0.3 |
| CNY17-3 | 7.12x6.5x3.5 | -- | 6 / 8 | 80 | 100~200 | 5000 | 0.3 |
| CNY17-4 | 7.12x6.5x3.5 | -- | 6 / 8 | 80 | 160~320 | 5000 | 0.3 |
| *CNY17F-1 | 7.12x6.5x3.5 | -- | 6 / 8 | 80 | 40~80 | 5000 | 0.3 |
| *CNY17F-2 | 7.12x6.5x3.5 | -- | 6 / 8 | 80 | 63~125 | 5000 | 0.3 |
| *CNY17F-3 | 7.12x6.5x3.5 | -- | 6 / 8 | 80 | 100~200 | 5000 | 0.3 |
| *CNY17F-4 | 7.12x6.5x3.5 | -- | 6 / 8 | 80 | 160~320 | 5000 | 0.3 |
| H11A1 | 7.12x6.5x3.5 | 1.2 | 3 / 3 | 80 | 50 min. | 5000 | 0.4 |
| H11A2 | 7.12x6.5x3.5 | 1.2 | 3 / 3 | 80 | 20 min. | 5000 | 0.4 |
| H11A3 | 7.12x6.5x3.5 | 1.2 | 3 / 3 | 80 | 20 min. | 5000 | 0.4 |
| H11A4 | 7.12x6.5x3.5 | 1.2 | 3 / 3 | 80 | 10 min. | 5000 | 0.4 |
| H11A5 | 7.12x6.5x3.5 | 1.2 | 3 / 3 | 80 | 30 min. | 5000 | 0.4 |
| MCT2E | 7.12x6.5x3.5 | 1.23 | 3 / 3 | 80 | 20 min. | 5000 | 0.4 |
| TIL111 | 7.12x6.5x3.5 | 1.22 | 6 / 8 | 80 | -- | 5000 | 0.4 |
| TIL117 | 7.12x6.5x3.5 | -- | 6 / 8 | 80 | 50 min. | 5000 | 0.4 |

Star mark * : Please refer to the schematic of Pin configuration with " * " mark

Photo Coupler | Transistor | 6Pin DIP-AC



UNIT : mm

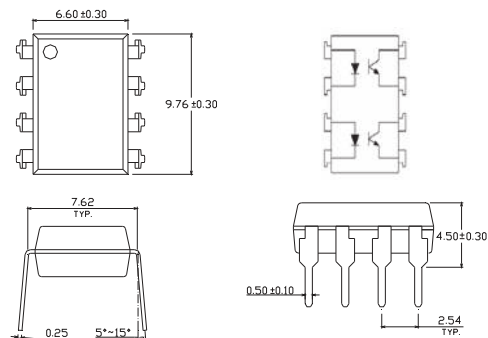


| Product | Size (LxWxHmm) | V _{F_Typ} (V) | Rise / Fall Time (µs) | BV _{CEO_Min} (V) | CTR (%) | Viso (V _{rms}) | V _{CE(SAT)_Max} (V) |
|---------|----------------|------------------------|-----------------------|---------------------------|----------|--------------------------|------------------------------|
| H11AA1 | 7.12x6.5x3.5 | 1.2 | 10 / 10 | 80 | 20 min. | 5000 | 0.4 |
| H11AA2 | 7.12x6.5x3.5 | 1.2 | 10 / 10 | 80 | 10 min. | 5000 | 0.4 |
| H11AA3 | 7.12x6.5x3.5 | 1.2 | 10 / 10 | 80 | 50 min. | 5000 | 0.4 |
| H11AA4 | 7.12x6.5x3.5 | 1.2 | 10 / 10 | 80 | 100 min. | 5000 | 0.4 |

Photo Coupler | Transistor | 8Pin DIP-DC

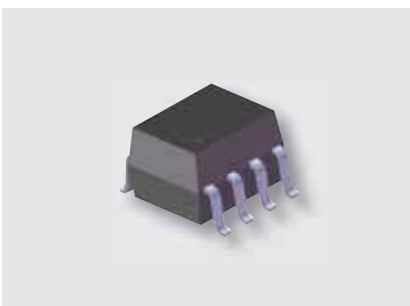


UNIT : mm

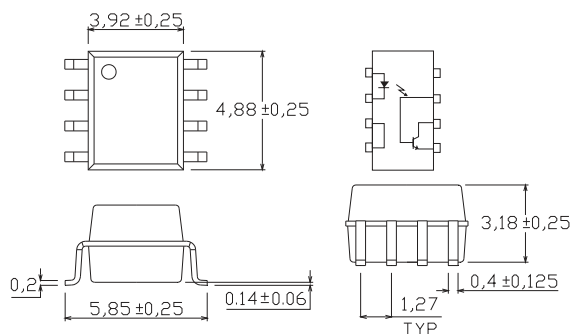


| Product | Size (LxWxHmm) | V _{F_Typ} (V) | Rise / Fall Time (µs) | BV _{CEO_Min} (V) | CTR (%) | Viso (V _{rms}) | V _{CE(SAT)_Max} (V) |
|---------|----------------|------------------------|-----------------------|---------------------------|---------|--------------------------|------------------------------|
| EL827 | 9.76x6.5x3.5 | 1.2 | 3 / 4 | 80 | 50~600 | 5000 | 0.2 |

Photo Coupler | Transistor | 8Pin SOP-DC



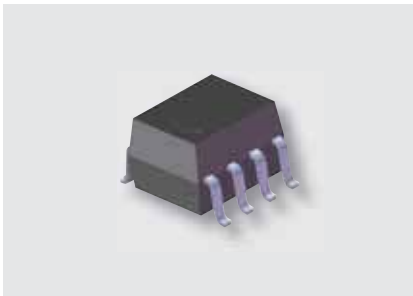
UNIT : mm



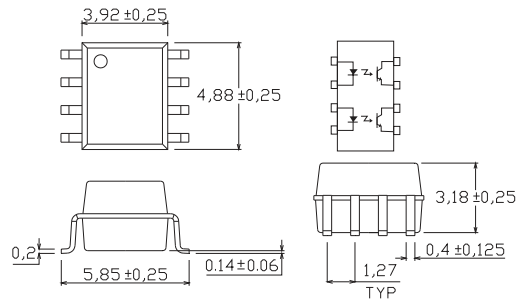
| Product | Size (LxWxHmm) | V _{F_Typ} (V) | Rise / Fall Time (µs) | BV _{CEO_Min} (V) | CTR (%) | Viso (V _{rms}) | V _{CE(SAT)_Max} (V) |
|---------|----------------|------------------------|-----------------------|---------------------------|----------|--------------------------|------------------------------|
| EL205 | 4.88x3.92x3.18 | 1.3 | 1.6 / 2.2 | 80 | 40~80 | 3750 | 0.4 |
| EL206 | 4.88x3.92x3.18 | 1.3 | 1.6 / 2.2 | 80 | 63~125 | 3750 | 0.4 |
| EL207 | 4.88x3.92x3.18 | 1.3 | 1.6 / 2.2 | 80 | 100~200 | 3750 | 0.4 |
| EL208 | 4.88x3.92x3.18 | 1.3 | 1.6 / 2.2 | 80 | 160~320 | 3750 | 0.4 |
| EL211 | 4.88x3.92x3.18 | 1.3 | 1.6 / 2.2 | 80 | 20 min. | 3750 | 0.4 |
| EL212 | 4.88x3.92x3.18 | 1.3 | 1.6 / 2.2 | 80 | 50 min. | 3750 | 0.4 |
| EL213 | 4.88x3.92x3.18 | 1.3 | 1.6 / 2.2 | 80 | 100 min. | 3750 | 0.4 |
| EL215 | 4.88x3.92x3.18 | 1.3 | 1.6 / 2.2 | 80 | 10 min. | 3750 | 0.4 |
| EL216 | 4.88x3.92x3.18 | 1.3 | 1.6 / 2.2 | 80 | 50 min. | 3750 | 0.4 |
| EL217 | 4.88x3.92x3.18 | 1.3 | 1.6 / 2.2 | 80 | 100 min. | 3750 | 0.4 |

Photo Coupler

Photo Coupler | Transistor | 8Pin SSOP-DC



UNIT : mm

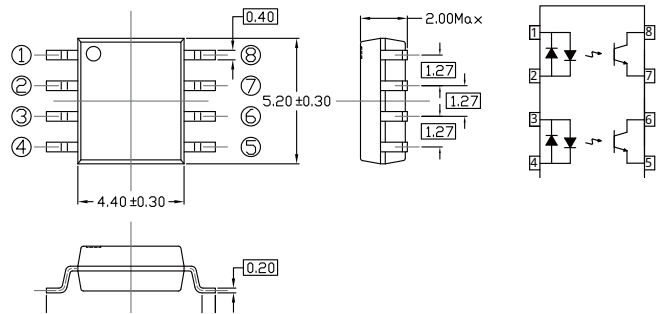


| Product | Size (LxWxHmm) | V _{F_Typ} (V) | Rise / Fall Time (μs) | BV _{CEO_Min} (V) | CTR (%) | Viso (V _{rms}) | V _{CE(SAT)_Max} (V) |
|---------|----------------|------------------------|-----------------------|---------------------------|----------|--------------------------|------------------------------|
| ELD205 | 4.88x3.92x3.18 | 1.2 | 1.6 / 2.2 | 80 | 40~80 | 3750 | 0.4 |
| ELD206 | 4.88x3.92x3.18 | 1.2 | 1.6 / 2.2 | 80 | 63~125 | 3750 | 0.4 |
| ELD207 | 4.88x3.92x3.18 | 1.2 | 1.6 / 2.2 | 80 | 100~200 | 3750 | 0.4 |
| ELD211 | 4.88x3.92x3.18 | 1.2 | 1.6 / 2.2 | 80 | 20 min. | 3750 | 0.4 |
| ELD213 | 4.88x3.92x3.18 | 1.2 | 1.6 / 2.2 | 80 | 100 min. | 3750 | 0.4 |
| ELD217 | 4.88x3.92x3.18 | 1.2 | 1.6 / 2.2 | 80 | 100 min. | 3750 | 0.4 |

Photo Coupler | Transistor | 8Pin SSOP-DC



UNIT : mm



| Product | Size (LxWxHmm) | V _{F_Typ} (V) | Rise / Fall Time (μs) | BV _{CEO_Min} (V) | CTR (%) | Viso (V _{rms}) | V _{CE(SAT)_Max} (V) |
|---------|----------------|------------------------|-----------------------|---------------------------|---------|--------------------------|------------------------------|
| ELD3H7 | 5.2x4.4x2 | 1.2 | 5 / 3 | 80 | 50~600 | 3750 | 0.2 |

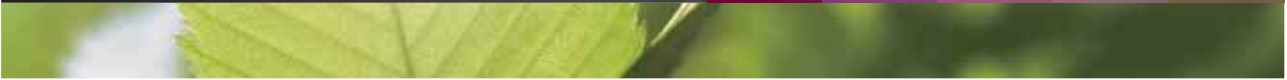
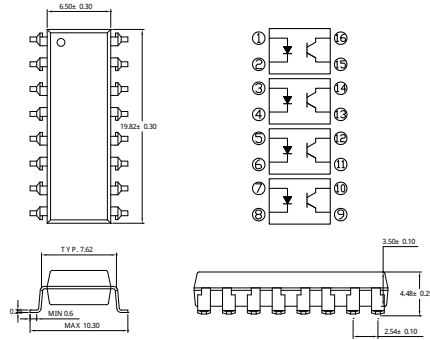


Photo Coupler | Transistor | 16Pin DIP-DC



UNIT : mm

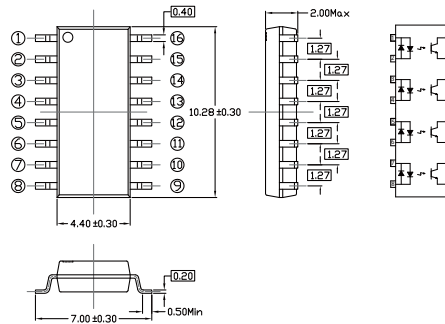


| Product | Size (LxWxHmm) | V _{F_Typ} (V) | Rise / Fall Time (μs) | BV _{CEO_Min} (V) | CTR (%) | Viso (V _{rms}) | V _{CE(SAT)_Max} (V) |
|---------|----------------|------------------------|-----------------------|---------------------------|---------|--------------------------|------------------------------|
| EL847 | 19.82×6.5×3.5 | 1.2 | 4 / 3 | 80 | 50~600 | 5000 | 0.2 |

Photo Coupler | Transistor | 16Pin SSOP-DC



UNIT : mm



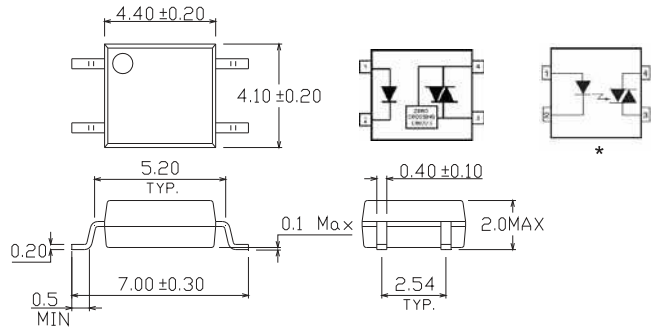
| Product | Size (LxWxHmm) | V _{F_Typ} (V) | Rise / Fall Time (μs) | BV _{CEO_Min} (V) | CTR (%) | Viso (V _{rms}) | V _{CE(SAT)_Max} (V) |
|---------|----------------|------------------------|-----------------------|---------------------------|---------|--------------------------|------------------------------|
| ELQ3H7 | 10.28×4.4×2 | 1.2 | 5 / 3 | 80 | 50~600 | 3750 | 0.2 |

Photo Coupler

Photo Coupler | Triac | 4Pin SOP



UNIT : mm



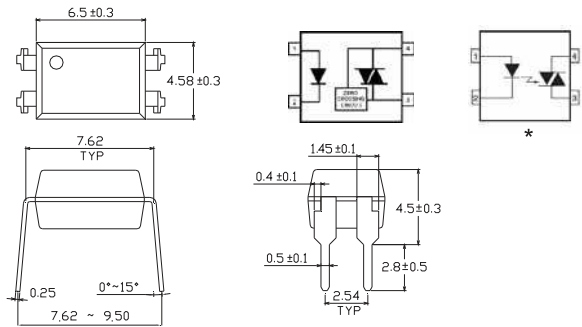
| Product | Size (LxWxHmm) | V _{TM} (V) | V _{INH} (V) | V _{DRM} (V) | V _{F_Max} (V) | Viso (V _{rms}) | I _{FT} (mA) |
|----------|----------------|---------------------|----------------------|----------------------|------------------------|--------------------------|----------------------|
| ELM3042 | 4.4x4.1x2 | 3 | 20 | 400 | 1.5 | 3750 | 10 |
| ELM3043 | 4.4x4.1x2 | 3 | 20 | 400 | 1.5 | 3750 | 5 |
| ELM3044 | 4.4x4.1x2 | 3 | 20 | 400 | 1.5 | 3750 | 3 |
| ELM3062 | 4.4x4.1x2 | 3 | 20 | 600 | 1.5 | 3750 | 10 |
| ELM3063 | 4.4x4.1x2 | 3 | 20 | 600 | 1.5 | 3750 | 5 |
| ELM3064 | 4.4x4.1x2 | 3 | 20 | 600 | 1.5 | 3750 | 3 |
| ELM3082 | 4.4x4.1x2 | 3 | 20 | 800 | 1.5 | 3750 | 10 |
| ELM3083 | 4.4x4.1x2 | 3 | 20 | 800 | 1.5 | 3750 | 5 |
| ELM3084 | 4.4x4.1x2 | 3 | 20 | 800 | 1.5 | 3750 | 3 |
| *ELM3022 | 4.4x4.1x2 | 2.5 | -- | 400 | 1.2 | 3750 | 10 |
| *ELM3023 | 4.4x4.1x2 | 2.5 | -- | 400 | 1.2 | 3750 | 5 |
| *ELM3024 | 4.4x4.1x2 | 2.5 | -- | 400 | 1.2 | 3750 | 3 |
| *ELM3052 | 4.4x4.1x2 | 2.5 | -- | 600 | 1.2 | 3750 | 10 |
| *ELM3053 | 4.4x4.1x2 | 2.5 | -- | 600 | 1.2 | 3750 | 5 |
| *ELM3054 | 4.4x4.1x2 | 2.5 | -- | 600 | 1.2 | 3750 | 3 |

Star mark * : Please refer to the schematic of Pin configuration with " * " mark

Photo Coupler | Triac | 4Pin DIP



UNIT : mm



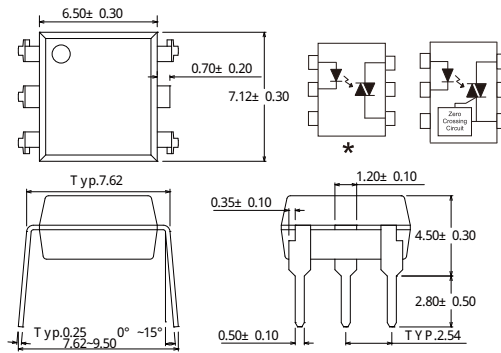
| Product | Size (LxWxHmm) | V _{TM} (V) | V _{INH} (V) | V _{DRM} (V) | V _{F_Max} (V) | Viso (V _{rms}) | I _{FT} (mA) |
|----------|----------------|---------------------|----------------------|----------------------|------------------------|--------------------------|----------------------|
| ELT3041 | 6.5×4.58×3.5 | 3 | 20 | 400 | 1.5 | 5000 | 15 |
| ELT3042 | 6.5×4.58×3.5 | 3 | 20 | 400 | 1.5 | 5000 | 10 |
| ELT3043 | 6.5×4.58×3.5 | 3 | 20 | 400 | 1.5 | 5000 | 5 |
| ELT3061 | 6.5×4.58×3.5 | 3 | 20 | 600 | 1.5 | 5000 | 15 |
| ELT3062 | 6.5×4.58×3.5 | 3 | 20 | 600 | 1.5 | 5000 | 10 |
| ELT3063 | 6.5×4.58×3.5 | 3 | 20 | 600 | 1.5 | 5000 | 5 |
| ELT3081 | 6.5×4.58×3.5 | 3 | 20 | 800 | 1.5 | 5000 | 15 |
| ELT3082 | 6.5×4.58×3.5 | 3 | 20 | 800 | 1.5 | 5000 | 10 |
| ELT3083 | 6.5×4.58×3.5 | 3 | 20 | 800 | 1.5 | 5000 | 5 |
| *ELT3021 | 6.5×4.58×3.5 | 2.5 | - | 400 | 1.2 | 5000 | 15 |
| *ELT3022 | 6.5×4.58×3.5 | 2.5 | - | 400 | 1.2 | 5000 | 10 |
| *ELT3023 | 6.5×4.58×3.5 | 2.5 | - | 400 | 1.2 | 5000 | 5 |
| *ELT3051 | 6.5×4.58×3.5 | 2.5 | - | 600 | 1.2 | 5000 | 15 |
| *ELT3052 | 6.5×4.58×3.5 | 2.5 | - | 600 | 1.2 | 5000 | 10 |
| *ELT3053 | 6.5×4.58×3.5 | 2.5 | - | 600 | 1.2 | 5000 | 5 |

Star mark * : Please refer to the schematic of Pin configuration with " * " mark

Photo Coupler | Triac | 5Pin DIP



UNIT : mm

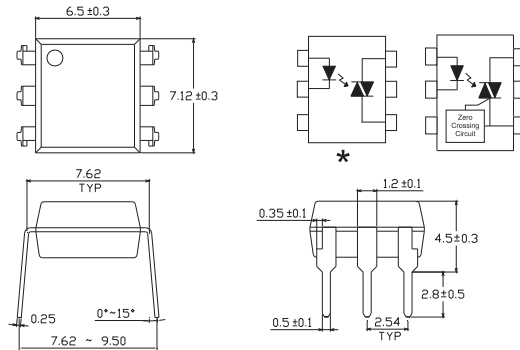


| Product | Size (LxWxHmm) | V _{TM} (V) | V _{INH} (V) | V _{DRM} (V) | V _{F_Typ} (V) | Viso (V _{rms}) | I _{FT} (mA) |
|------------|----------------|---------------------|----------------------|----------------------|------------------------|--------------------------|----------------------|
| EL3031(P5) | 7.12x6.5x3.5 | 3 | 20 | 250 | -- | 5000 | 15 |
| EL3032(P5) | 7.12x6.5x3.5 | 3 | 20 | 250 | -- | 5000 | 10 |
| EL3033(P5) | 7.12x6.5x3.5 | 3 | 20 | 250 | -- | 5000 | 5 |
| EL3041(P5) | 7.12x6.5x3.5 | 3 | 20 | 400 | -- | 5000 | 15 |
| EL3042(P5) | 7.12x6.5x3.5 | 3 | 20 | 400 | -- | 5000 | 10 |
| EL3043(P5) | 7.12x6.5x3.5 | 3 | 20 | 400 | -- | 5000 | 5 |
| EL3061(P5) | 7.12x6.5x3.5 | 3 | 20 | 600 | -- | 5000 | 15 |
| EL3062(P5) | 7.12x6.5x3.5 | 3 | 20 | 600 | -- | 5000 | 10 |
| EL3063(P5) | 7.12x6.5x3.5 | 3 | 20 | 600 | -- | 5000 | 5 |
| EL3081(P5) | 7.12x6.5x3.5 | 3 | 20 | 800 | -- | 5000 | 15 |
| EL3082(P5) | 7.12x6.5x3.5 | 3 | 20 | 800 | -- | 5000 | 10 |
| EL3083(P5) | 7.12x6.5x3.5 | 3 | 20 | 800 | -- | 5000 | 5 |
| EL3010(P5) | 7.12x6.5x3.5 | 2.5 | -- | 250 | 1.18 | 5000 | 15 |
| EL3011(P5) | 7.12x6.5x3.5 | 2.5 | -- | 250 | 1.18 | 5000 | 10 |
| EL3012(P5) | 7.12x6.5x3.5 | 2.5 | -- | 250 | 1.18 | 5000 | 5 |
| EL3021(P5) | 7.12x6.5x3.5 | 2.5 | -- | 400 | 1.18 | 5000 | 15 |
| EL3022(P5) | 7.12x6.5x3.5 | 2.5 | -- | 400 | 1.18 | 5000 | 10 |
| EL3023(P5) | 7.12x6.5x3.5 | 2.5 | -- | 400 | 1.18 | 5000 | 5 |
| EL3051(P5) | 7.12x6.5x3.5 | 2.5 | -- | 600 | 1.18 | 5000 | 15 |
| EL3052(P5) | 7.12x6.5x3.5 | 2.5 | -- | 600 | 1.18 | 5000 | 10 |
| EL3053(P5) | 7.12x6.5x3.5 | 2.5 | -- | 600 | 1.18 | 5000 | 5 |

Photo Coupler | Triac | 6Pin DIP



UNIT : mm



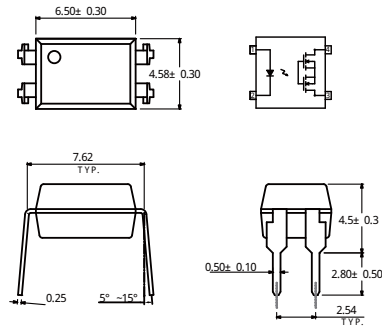
| Product | Size (LxWxHmm) | V _{TM} (V) | V _{INH} (V) | V _{DRM} (V) | V _{F_Typ} (V) | Viso (V _{rms}) | I _{FT} (mA) |
|---------|----------------|---------------------|----------------------|----------------------|------------------------|--------------------------|----------------------|
| EL3031 | 7.12x6.5x3.5 | 3 | 20 | 250 | -- | 5000 | 15 |
| EL3032 | 7.12x6.5x3.5 | 3 | 20 | 250 | -- | 5000 | 10 |
| EL3033 | 7.12x6.5x3.5 | 3 | 20 | 250 | -- | 5000 | 5 |
| EL3041 | 7.12x6.5x3.5 | 3 | 20 | 400 | -- | 5000 | 15 |
| EL3042 | 7.12x6.5x3.5 | 3 | 20 | 400 | -- | 5000 | 10 |
| EL3043 | 7.12x6.5x3.5 | 3 | 20 | 400 | -- | 5000 | 5 |
| EL3061 | 7.12x6.5x3.5 | 3 | 20 | 600 | -- | 5000 | 15 |
| EL3062 | 7.12x6.5x3.5 | 3 | 20 | 600 | -- | 5000 | 10 |
| EL3063 | 7.12x6.5x3.5 | 3 | 20 | 600 | -- | 5000 | 5 |
| EL3081 | 7.12x6.5x3.5 | 3 | 20 | 800 | -- | 5000 | 15 |
| EL3082 | 7.12x6.5x3.5 | 3 | 20 | 800 | -- | 5000 | 10 |
| EL3083 | 7.12x6.5x3.5 | 3 | 20 | 800 | -- | 5000 | 5 |
| *EL3010 | 7.12x6.5x3.5 | 2.5 | -- | 250 | 1.18 | 5000 | 15 |
| *EL3011 | 7.12x6.5x3.5 | 2.5 | -- | 250 | 1.18 | 5000 | 10 |
| *EL3012 | 7.12x6.5x3.5 | 2.5 | -- | 250 | 1.18 | 5000 | 5 |
| *EL3021 | 7.12x6.5x3.5 | 2.5 | -- | 400 | 1.18 | 5000 | 15 |
| *EL3022 | 7.12x6.5x3.5 | 2.5 | -- | 400 | 1.18 | 5000 | 10 |
| *EL3023 | 7.12x6.5x3.5 | 2.5 | -- | 400 | 1.18 | 5000 | 5 |
| *EL3051 | 7.12x6.5x3.5 | 2.5 | -- | 600 | 1.18 | 5000 | 15 |
| *EL3052 | 7.12x6.5x3.5 | 2.5 | -- | 600 | 1.18 | 5000 | 10 |
| *EL3053 | 7.12x6.5x3.5 | 2.5 | -- | 600 | 1.18 | 5000 | 5 |

Star mark * : Please refer to the schematic of Pin configuration with " * " mark

Photo Coupler | Relay(Solid State Relay) | 4Pin DIP



UNIT : mm

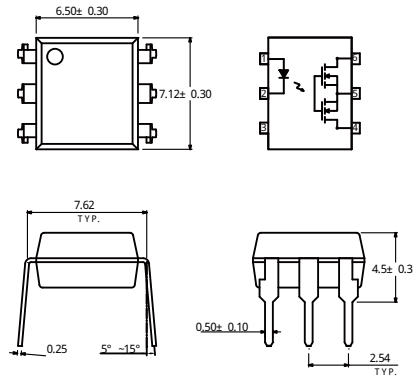


| Product | Size (LxWxHmm) | Output type | Load Voltage (V) | Load Current (mA) | Ron Typ.(Ω) | I _{fon} max. (mA) | Viso (Vrms) |
|---------|----------------|------------------|------------------|-------------------|-------------|----------------------------|-------------|
| EL406A | 6.5×4.58×3.5 | Normally Open 1a | 60 | 550 | 0.7 | 5 | 5000 |
| EL425A | 6.5×4.58×3.5 | Normally Open 2a | 250 | 180 | 6.5 | 5 | 5000 |
| EL440A | 6.5×4.58×3.5 | Normally Open 3a | 400 | 120 | 20 | 5 | 5000 |
| EL460A | 6.5×4.58×3.5 | Normally Open 4a | 600 | 50 | 40 | 5 | 5000 |

Photo Coupler | Relay(Solid State Relay) | 6Pin DIP



UNIT : mm



| Product | Size (LxWxHmm) | Output type | Load Voltage (V) | Load Current (mA) | Ron Typ.(Ω) | I _{fon} max. (mA) | Viso (Vrms) |
|---------|----------------|------------------|------------------|-------------------|-------------|----------------------------|-------------|
| EL606A | 7.12×6.5×3.5 | Normally Open 1a | 60 | 550 | 0.7 | 3 | 5000 |
| EL625A | 7.12×6.5×3.5 | Normally Open 2a | 250 | 180 | 6.5 | 3 | 5000 |
| EL640A | 7.12×6.5×3.5 | Normally Open 3a | 400 | 120 | 20 | 3 | 5000 |
| EL660A | 7.12×6.5×3.5 | Normally Open 4a | 600 | 50 | 40 | 3 | 5000 |

Notice

The content of this Catalogue is provided for informational purposes only. EVERLIGHT AMERICAS makes no representations about the accuracy, reliability, completeness of the information in this catalogue. EVERLIGHT AMERICAS may, at its sole discretion, revise the specifications, appearance, structures and materials herein without notice for the purpose of improvement. Please contact EVERLIGHT AMERICAS sales should you require more information on a product or its application.

This Catalogue does not contain any guarantee or agreed quality of EVERLIGHT AMERICAS's products or any warranty of merchantability, intellectual property, and fitness for a particular purpose. EVERLIGHT AMERICAS's obligation and responsibilities regarding its products are governed solely by the agreements under which they are sold. Unless otherwise agreed in writing, the information contained herein does not become part of the agreements.

The trademarks and logos ("Trademarks") displayed in this Catalogue are the property of EVERLIGHT and/or its affiliates. Nothing in this Catalogue should be construed as granting any licenses or right to the Trademarks. Without the express written consent of EVERLIGHT, the use of the Trademarks is prohibited.

All text, images, graphics and other materials contained in this Catalogue are subject to the copyright and other intellectual property rights of EVERLIGHT and/or its affiliates.

Structure and materials incorporated in LED packages may change according to customer's requests. Any LED package incorporating β -SiAlON phosphor are licensed by NIMS on the following Patents, Patent Publications and Patent Applications: Patent No. 3975451 (Japan), Patent No. 7,678,294 (US), Patent No. I-299055 (Taiwan), Patent No. ZL200580000742.3 (China), Patent Application No. 12/096,601 (US), Patent Application No. 2007-549180 (Japan), Patent Publication No. DE112005000044T5 (Germany), Patent Publication No.10-2007-0021140 (Korea), and Patent Publication No. EP1964905 (Europe).

EVERLIGHT AMERICAS

HEADQUARTERS

TEXAS USA

EVERLIGHT AMERICAS INC.
3220 Commander Dr. Suite 100
Carrollton, Texas, 75006, United States
TEL: +1-972-490-4008
FAX: +1-972-490-5009
EMAIL: salesmarketing@everlightamericas.com

CALIFORNIA USA

EVERLIGHT AMERICAS INC.
3200 Guasti Road, Suite 100,
Ontario, CA 91761, United States
TEL: +1-909-456-1405
FAX: +1-909-456-1406
EMAIL: salesmarketing@everlightamericas.com

www.everlightamericas.com