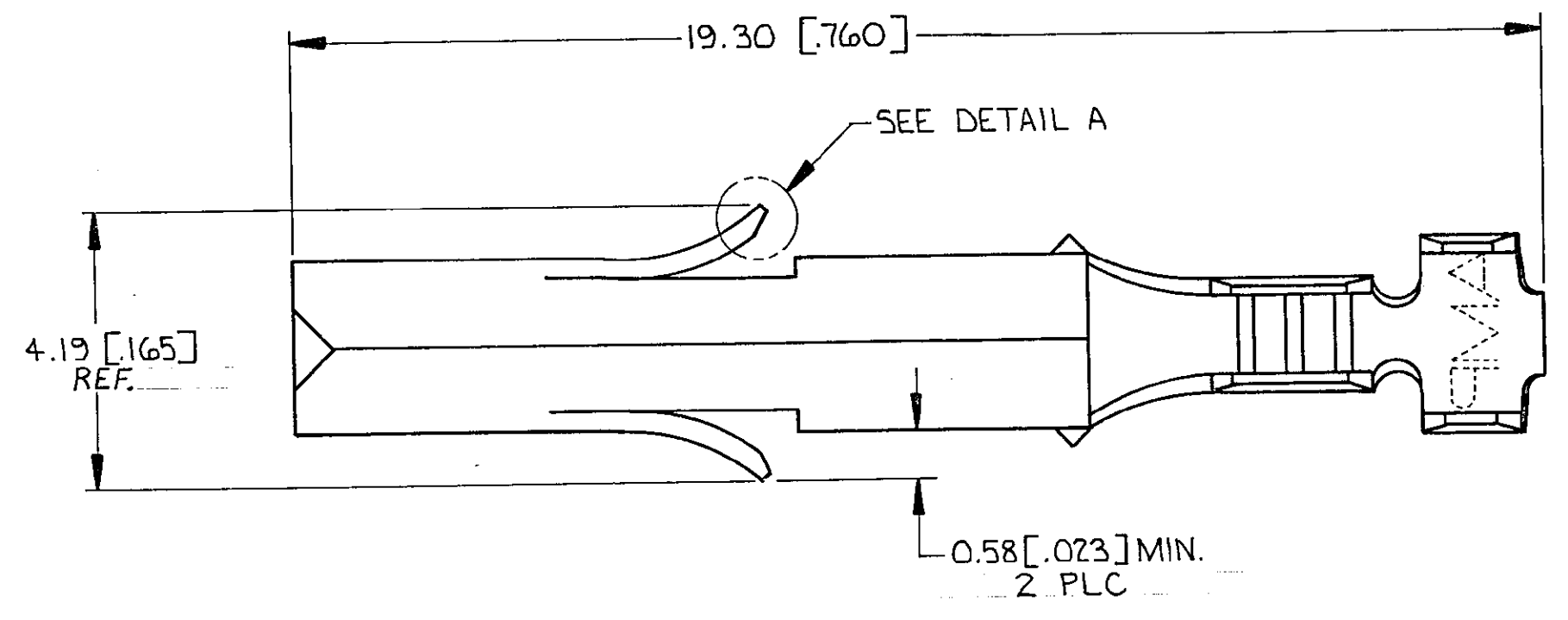
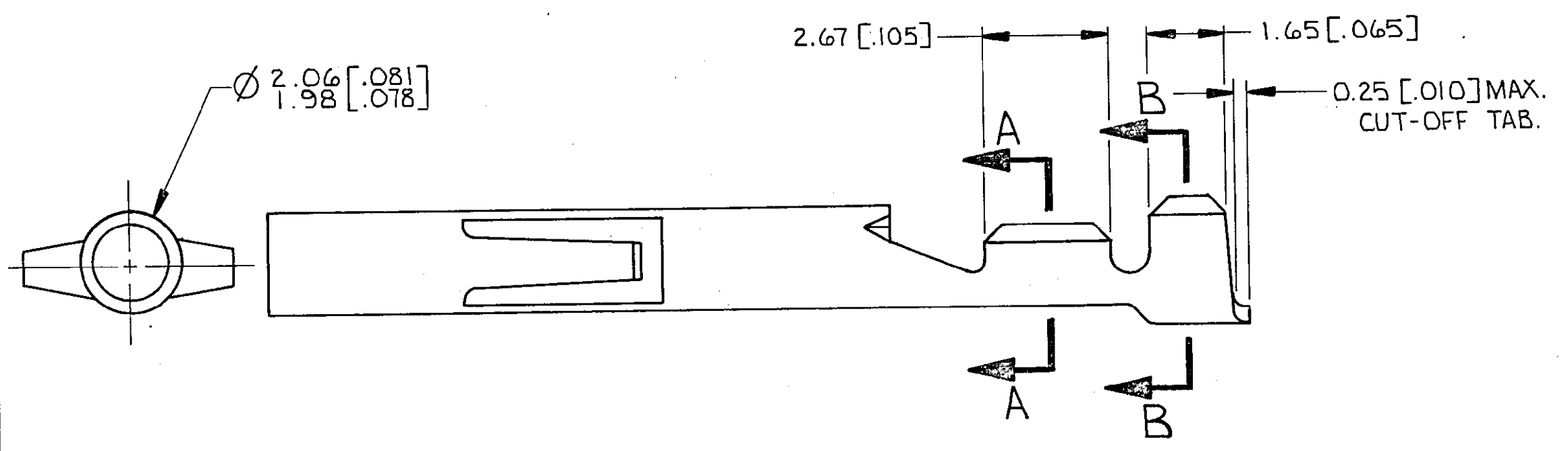


THIS DRAWING IS UNPUBLISHED. RELEASED FOR PUBLICATION, 19
 © COPYRIGHT 19 BY AMP INCORPORATED, HARRISBURG, PA. ALL INTERNATIONAL RIGHTS RESERVED. AMP PRODUCTS MAY BE COVERED BY U.S. AND FOREIGN PATENTS AND/OR PATENTS PENDING.

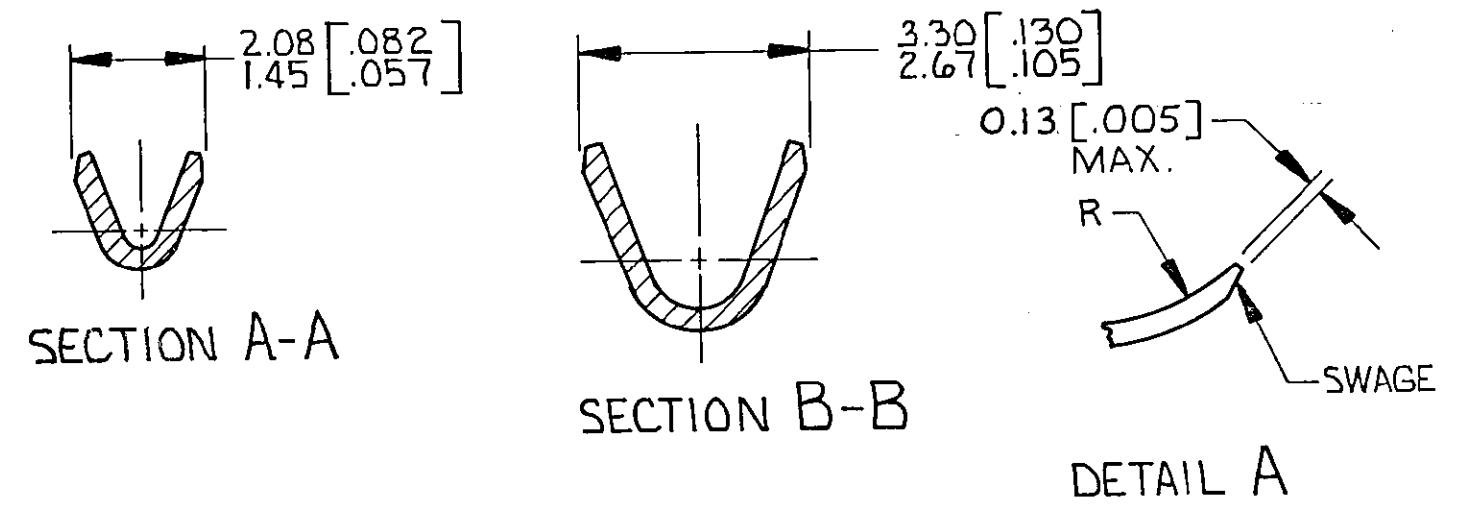
LOC	DIST	REVISIONS					
CM	53	P/F	ZONE	LTR	DESCRIPTION	DATE	APPD
				A	REV PER EC 0730-3607-91	1-6-94	RV R5



1. WIRE RANGE: 0.05 - 0.15 mm²
 [30-26 AWG]
 INSULATION RANGE: 0.81 - 1.45 DIA.
 [.032 - .057]
2. DIMENSIONS IN BRACKETS ARE IN INCHES.



METRIC



UNLESS OTHERWISE SPECIFIED DIMENSIONS ARE IN mm TOLERANCES ON		DR P. Collins 2-26-90		AMP AMP INCORPORATED Harrisburg, Pa. 17105	
2 PL DEC ±		CHK R. Suiny 3-2-90	NAME		
3 PL DEC ±	0.13 [0.05]	APPD M. Small 3-2-90	SOCKET, UNIVERSAL MATE-N-LOK,™ LOOSE PIECE		
ANGLES ±		APPD	DRAWING NO 770673		
MATERIAL	0.30 [.012] BRASS	PRODUCT SPEC	SIZE C	FSCM NO 00779	SHEET 1 OF 1
FINISH	PRE-TIN	APPLICATION SPEC	SCALE 10:1	PART NO 770673 -1	
WEIGHT				CUSTOMER DRAWING	