

RJ45 Female Panel Mount Straight

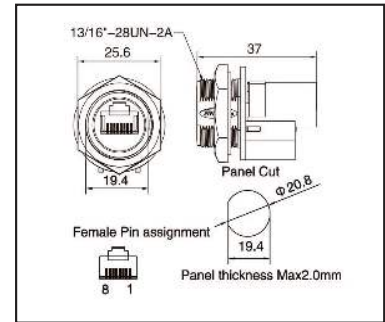
Part No.: ASICPICRJ45S



- Connector series: RJ45
- Gender: Female
- Locking type: Fix screw
- Mounting type: Front mount
- Shielded

General Information

Ambient temperature:	-20 °C ~ + 80 °C
Connector insert:	PBT+GF
Connector contacts:	Phosphor bronze with gold plated
Coupling nut/screw:	PA+GF
Seal / O-ring:	FKM
Insulation resistance:	≥ 100MΩ
Forward resistance :	≤ 30mΩ
IP rating:	IP 67, NEMA 6, 6P (with cap)



Electrical Data & Mechanical Data

Contacts	Rated current	Voltage	
		A/C	D/C
RJ45 8P8C female	1.5A	125V	125V

RJ45 Female Panel Mount Right Angle

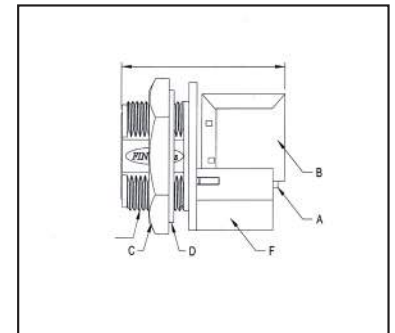
Part No.: ASICPICRJ45RA



- Connector series: RJ45
- Gender: Female
- Locking type: Fix screw
- Mounting type: Front mount
- Shielded

General Information

Ambient temperature:	-20 °C ~ + 80 °C
Connector insert:	PBT+GF
Connector contacts:	Phosphor bronze with gold plated
Coupling nut/screw:	PA+GF
Seal / O-ring:	FKM
Insulation resistance:	≥ 100MΩ
Forward resistance :	≤ 30mΩ
IP rating:	IP 67, NEMA 6, 6P (with cap)



USB2.0 Female Panel Mount

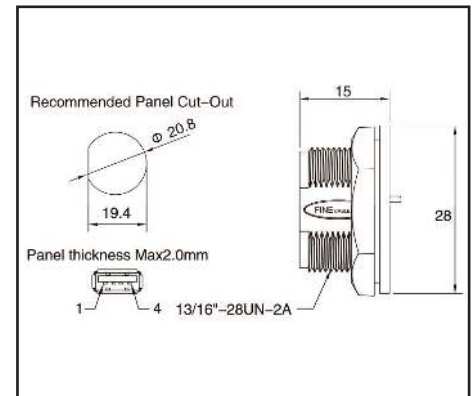
Part No.: ASICPICUSB2.0AS



- Connector series: USB 2.0
- Gender: Female
- Locking type: Fix screw
- Mounting type: Front mount
- Shielded
- Pigtail connection available upon request for MOQ of 100 units or more.

General Information

Ambient temperature:	-20 °C ~ + 80 °C
Connector insert:	PBT+GF
Connector contacts:	Phosphor bronze with gold plated
Connector body:	PA+GF
Coupling nut/screw:	PA+GF
Seal-ring:	FKM
Insulation resistance:	≥ 100MΩ
Forward resistance :	≤ 30mΩ
IP rating:	IP 67, NEMA 6, 6P (with cap)



Electrical Data & Mechanical Data

Contacts	Contacts	Rated current	Voltage	
			A/C	D/C
USB2.0 A Type female	Solder version	1.5A	30V	30V

USB/RJ45 Protection Cap

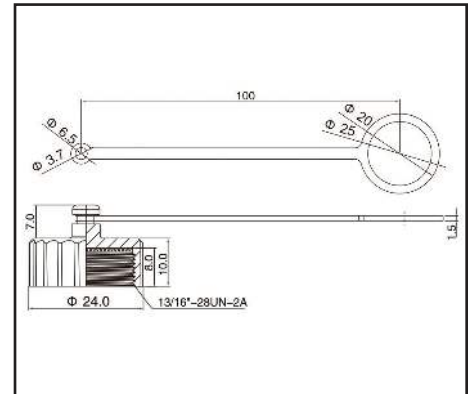
Part No.: ASICPICPC



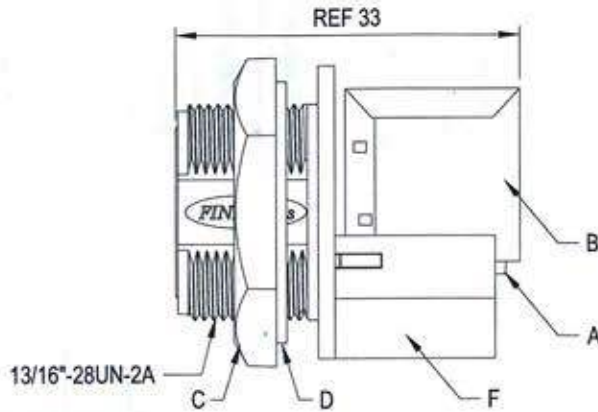
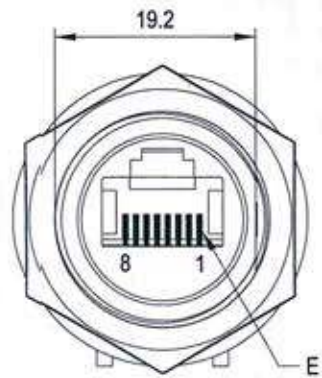
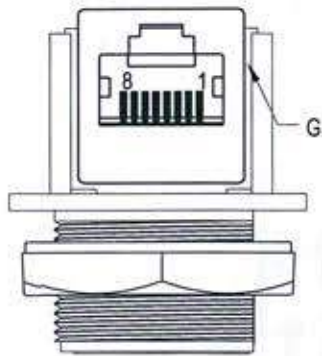
- Connector series: USB/RJ45
- Locking type: Quick lock

■ General Information

Material:	PA+GF
O-ring:	FKM
Loop:	TPU
Color:	Black

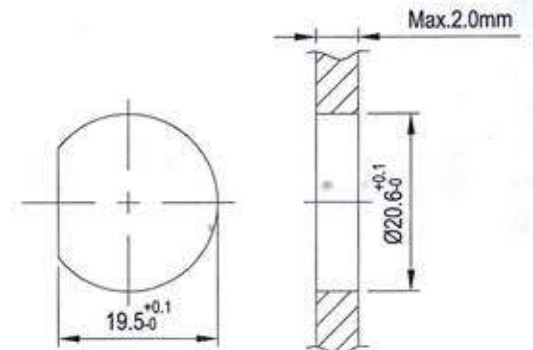


Date	Description	Revision	ECN NO.
Aug.26,2019	First release	A / 0	---



Wirelist

1	1
2	2
3	3
4	4
5	5
6	6
7	7
8	8



Panel cut-out

All rights reserved by Dongguan Finecables Co., Ltd.

No.	Materials.No	Name	Description	Unit	Qty
G	Resin	Black epoxy resin		g	3
F	Hous.	RJ45 8P8C female housing		pcs	1
E	Hous.	RJ45 female housing with termianl		pcs	1
D	Gasket	Black rubber gasket		pcs	1
C	Nut	13/16"-28UN-2A hex nut		pcs	1
B	Conn.	RJ45 8P8C female connector		pcs	1
A	PCB	RJ45 8P8C female PCB		pcs	1

		FINECABLES CO., LTD	
File no.	A1144-CP-T0017	Cus' P/N	RJ45S-WF08STSP-RA
No specified tolerance		Approved	Name
		Checked	Unit
		Drawing	Page
Linear	0.5-6 ±0.1		mm
	>6-30 ±0.2		---
	>30 ±2%		1 / 1
Angles	±3°		

