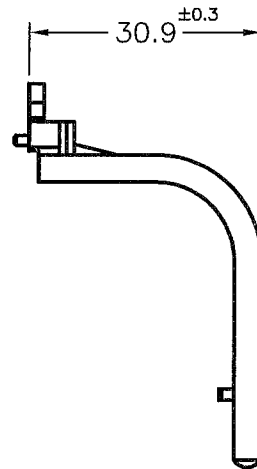
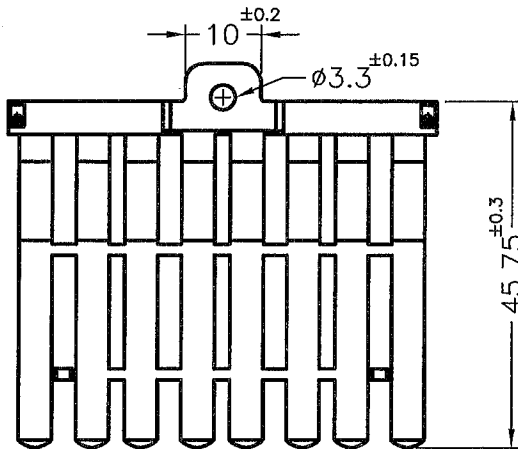
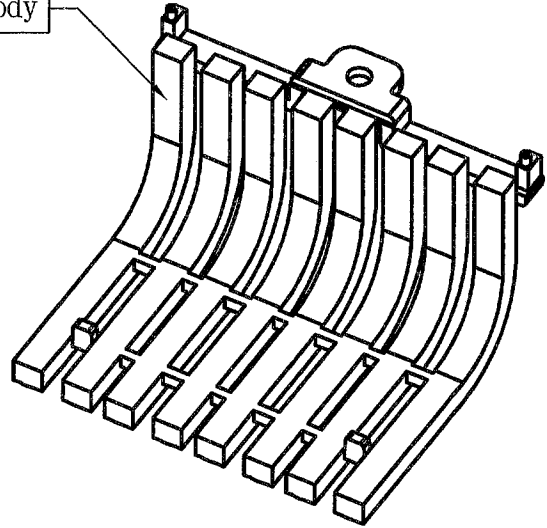
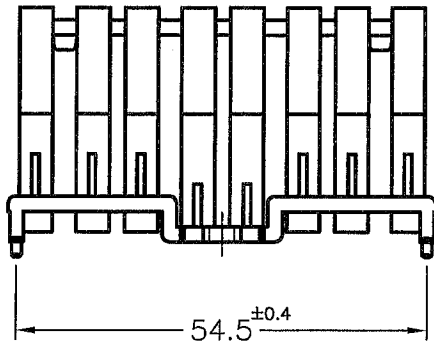


DIM.	TOL
L ≤ 10	±0.2
10 < L ≤ 30	±0.3
30 < L ≤ 50	±0.5
50 < L ≤ 100	±0.7
100 < L ≤ 250	±1.2
ABOVE 250	±1.5

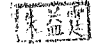
REVISIONS			
REV	DESCRIPTION	DATE	BY

SPI A-3 Polishing to 8 light-pipe body



*All measurement does not include gate which raises under 1.2mm.


 康揚企業股份有限公司
 KANG YANG HARDWARE ENTERPRISE CO., LTD.
 康揚塑膠(東莞)有限公司
 KANG YANG PLASTIC(DONG GUAN) CO., LTD.
 康哲電腦配件(吳江)有限公司
 KANG CHE COMPUTER COMPONENTS(WUJIANG) CO., LTD.

TITLE	LIGHT PIPE	SPEC. DWG.
MATERIAL	PC UL94V-0 or EQUIVALENT	DATE 2013.06.06
FINISH		DRAWN Lyu
COLOR	CLEAR	CHECK 
PART NUMBER LEM-166V0	DRAWING NUMBER LEM-166	APPROVED Kang
SIZE A4	SCALE 1:1	UNLESS OTHERWISE SPECIFIED TOLERANCE SEE ABOVE