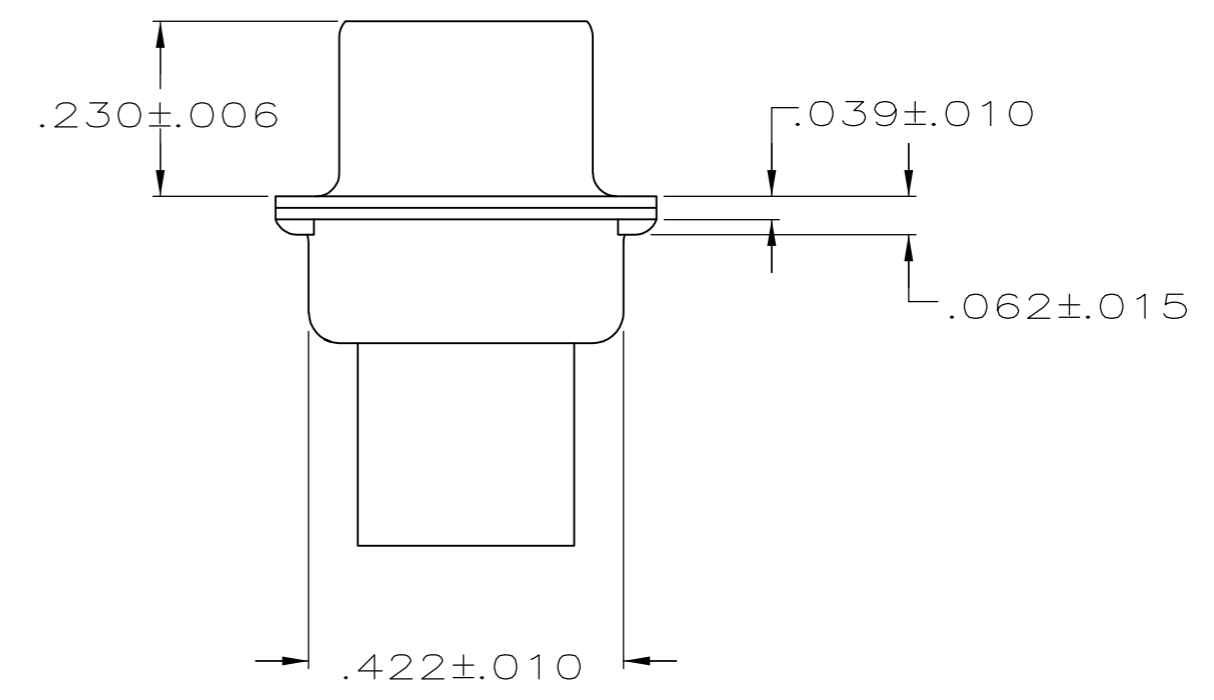
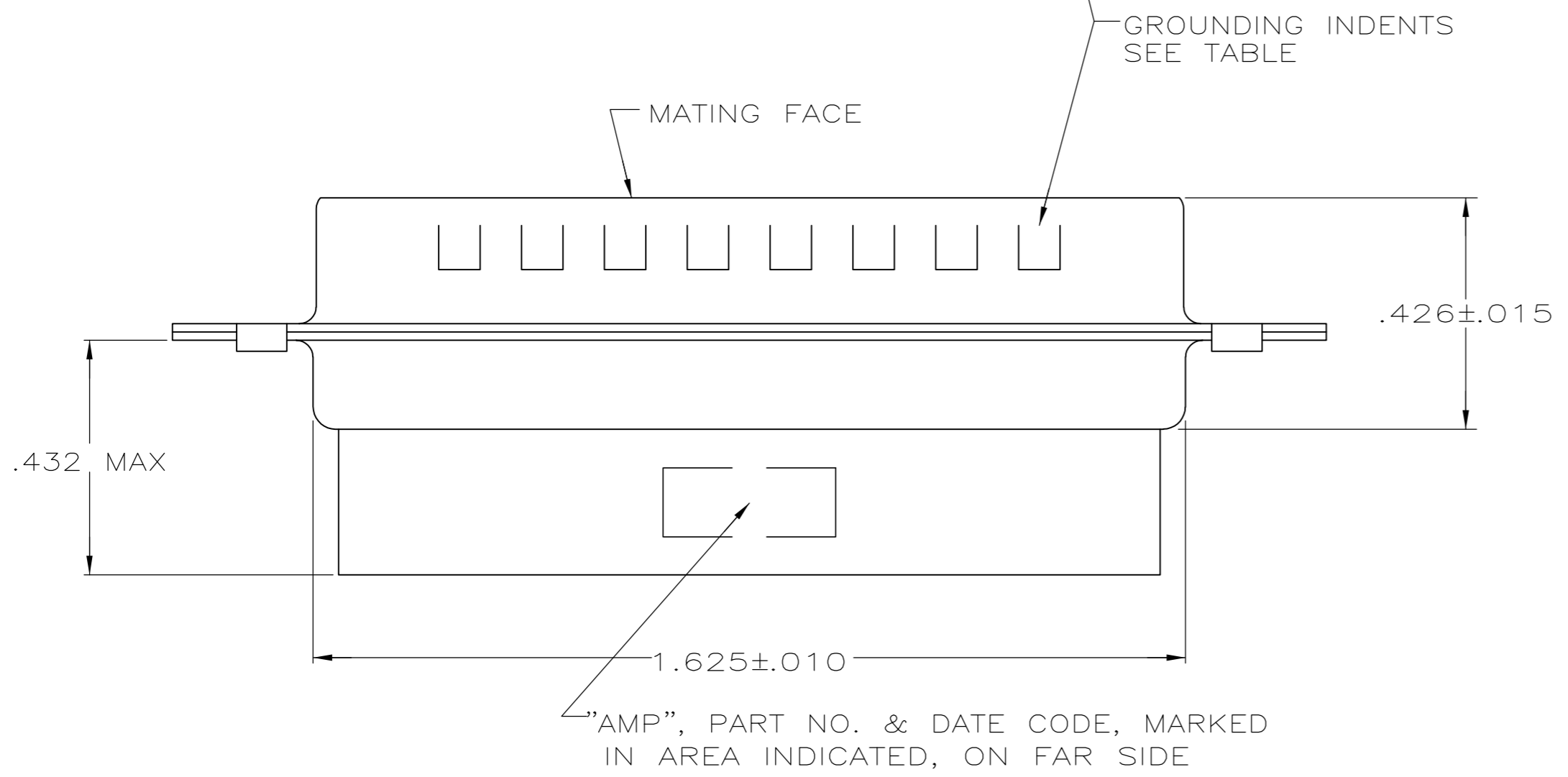
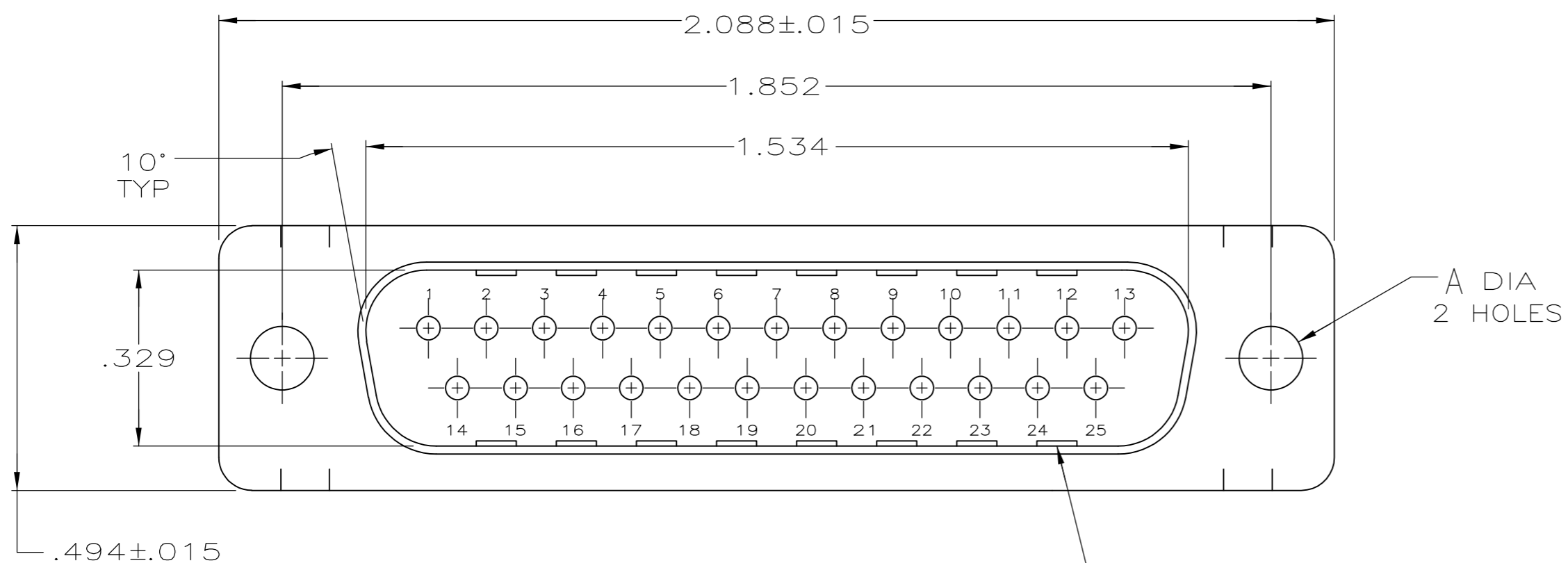


THIS DRAWING IS UNPUBLISHED. RELEASED FOR PUBLICATION  
 © COPYRIGHT - By - ALL RIGHTS RESERVED.

LOC	DIST	REVISIONS					
GP	00	P	LTR	DESCRIPTION	DATE	DWN	APVD
		J		REVISED PER ECO-14-011808	09AUG2014	AP	SB



- CONNECTOR ACCEPTS SIZE 20 DF PIN CONTACTS, RETENTION TINES ARE AN INTEGRAL PART OF INSERT.
- CONNECTOR COMPLIES WITH 108-40005 WHERE APPLICABLE.
- MOLDED PARTS: GLASS-FILLED PBT OR GLASS-FILLED NYLON, UL94V-0 RATED. COLOR: BLACK
- SHELLS: STEEL PER ASTM A109.
- TIN OR TIN-LEAD PLATED OVER COPPER UNDERPLATE.
- TIN PLATED OVER COPPER UNDERPLATE.

PACKAGING TYPE	SHELL FINISH	GROUNDING INDENTS	A	PART NUMBER
STANDARD	6	NO	.120	207464-7
SMALL PACK	6	YES	.120	207464-6
SUPERSEDED BY 207464-2	5	YES	.154	207464-4
SUPERSEDED BY 207464-2	5	NO	.154	207464-3
	6	YES	.120	207464-2
SUPERSEDED BY 207464-7	5	NO	.120	207464-1

THIS DRAWING IS A CONTROLLED DOCUMENT.

DWN S.WELDON 7-19-85	 TE Connectivity	SIZE	CAGE CODE	DRAWING NO	RESTRICTED TO
CHK J.GERACE 7-29-85		A2	00779	C=207464	-
APVD -		SCALE	SHEET	REV	
PRODUCT SPEC -		4:1	1 of 1	J	
APPLICATION SPEC -	CUSTOMER DRAWING				