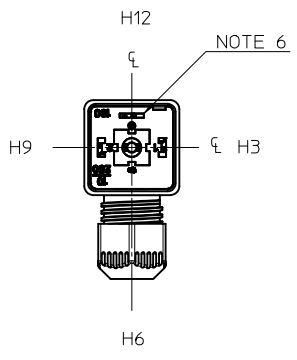
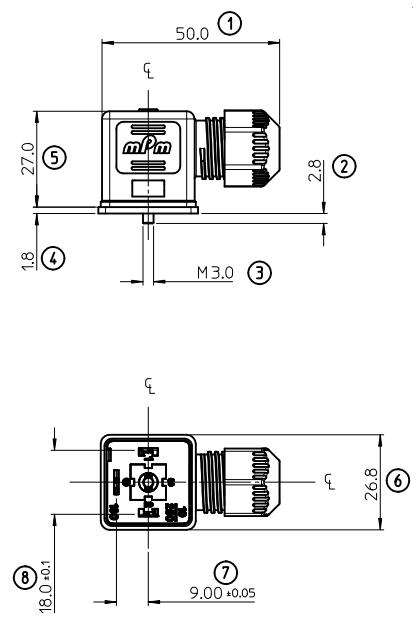


ITEM	DESCRIPTION
1	M3 SCREW WITH GASKET
2	TYPE A COVER
3	PCB
4	TYPE A INSERT
5	TYPE A GASKET
6	GROMMET
7	EXTERNAL NUT

S28200NC410R\*\*

SERIES \_\_\_\_\_  
 S28= EXTERNAL THREAD FORM A  
 POLES \_\_\_\_\_  
 2= 2 POLE & 3= 3 POLE  
 THREAD \_\_\_\_\_  
 00 = EXTERNAL THREAD  
 MATERIAL AND HOUSING COLOR \_\_\_\_\_  
 G= PA6 GRAY, N= PA6 BLACK, W= PA6 BLACK V0, T= TRANSPARENT  
 CIRCUIT \_\_\_\_\_  
 SEE DETAILS IN CATALOGUE  
 VOLTAGE \_\_\_\_\_  
 SEE DETAILS IN CATALOGUE  
 GROUND POSITION \_\_\_\_\_  
 0= UNMOUNTED, 2= H12, 3=H3, 6 =H6 & 9= H9  
 SCREW AND GASKET \_\_\_\_\_  
 R= INTEGRATED NBR GASKET AND IP67 SCREW  
 S= INTEGRATED SILICON GASKET AND IP67 SCREW  
 NON STANDARD PACKAGING \_\_\_\_\_  
 CN= BULK PACK UN-MOUNTED  
 SN= BULK PACK MOUNTED  
 67= NEUTRAL PACKAGING



NOTES

- FOR SPECIFIC PART NUMBERS PLEASE CONTACT SALES OR CONSULT THE INTELLIGENT PART NUMBERS IN THE TABLE ATTACHED
- PRODUCT SPEC: SEE PS-121201-001
- PACKAGING SPEC: SEE PK-121201-001
- CABLE SIZES 4 - 9 mm DIAMETER
- TIGHTENING TORQUE: SEE PS-121201-001
- GROUND POSITION SHOWN H12

LAST INSPECTION NUMBER USED 8

<b>TEXT ERROR</b> EC NO: WEU2011-0034 DRWNG: CARTON 2010/07/21 CHKD: 2010/08/09 APPR: ELOLAN 2010/08/12	QUALITY SYMBOLS ▽=0 ▽=0	GENERAL TOLERANCES (UNLESS SPECIFIED) <table border="1"> <thead> <tr> <th></th> <th>mm</th> <th>INCH</th> </tr> </thead> <tbody> <tr> <td>4 PLACES</td> <td>± ---</td> <td>± ---</td> </tr> <tr> <td>3 PLACES</td> <td>± ---</td> <td>± ---</td> </tr> <tr> <td>2 PLACES</td> <td>± 0.1</td> <td>± ---</td> </tr> <tr> <td>1 PLACE</td> <td>± 0.2</td> <td>± ---</td> </tr> <tr> <td colspan="3">ANGULAR ± ---°</td> </tr> </tbody> </table>		mm	INCH	4 PLACES	± ---	± ---	3 PLACES	± ---	± ---	2 PLACES	± 0.1	± ---	1 PLACE	± 0.2	± ---	ANGULAR ± ---°			DIMENSION STYLE <b>MM ONLY</b> DRAWN BY: DMAHER_WEU DATE: 2010/03/15 CHECKED BY: _____ DATE: _____	SCALE: 1:1 DESIGN UNITS: METRIC THIRD ANGLE PROJECTION	TITLE: EXTERNAL THREAD S282/283 SERIES 121207
		mm	INCH																				
	4 PLACES	± ---	± ---																				
	3 PLACES	± ---	± ---																				
2 PLACES	± 0.1	± ---																					
1 PLACE	± 0.2	± ---																					
ANGULAR ± ---°																							
DESCRIPTION: _____ REV: _____	DRAFT WHERE APPLICABLE MUST REMAIN WITHIN DIMENSIONS	APPROVED BY: JWALLACE DATE: 2010/03/24 MATERIAL NO. _____	MOLEX INCORPORATED DOCUMENT NO. SD-121207-001	SHEET NO. 1 OF 4	THIS DRAWING CONTAINS INFORMATION THAT IS PROPRIETARY TO MOLEX INCORPORATED AND SHOULD NOT BE USED WITHOUT WRITTEN PERMISSION																		

Part No	MPM Part No	DESCRIPTION	CIRCUIT	VOLTAGE	INDICATOR
1212070062	S28200TA010R	TYPE A 2 POLE TRANSPARENT	A0	12v	LAMP/NEON
1212070063	S28200TA020R	TYPE A 2 POLE TRANSPARENT	A0	24v	LAMP/NEON
1212070064	S28200TA030R	TYPE A 2 POLE TRANSPARENT	A0	48v	LAMP/NEON
1212070065	S28200TA040R	TYPE A 2 POLE TRANSPARENT	A0	115v	LAMP/NEON
1212070066	S28200TA050R	TYPE A 2 POLE TRANSPARENT	A0	230v	LAMP/NEON

Part No	MPM Part No	DESCRIPTION	CIRCUIT	VOLTAGE	INDICATOR
1212070067	S28200TA110R	TYPE A 2 POLE TRANSPARENT	A1	12v	RED LED
1212070068	S28200TA120R	TYPE A 2 POLE TRANSPARENT	A1	24v	RED LED
1212070069	S28200TA130R	TYPE A 2 POLE TRANSPARENT	A1	48v	RED LED
1212070070	S28200TA140R	TYPE A 2 POLE TRANSPARENT	A1	115v	RED LED
1212070071	S28200TA150R	TYPE A 2 POLE TRANSPARENT	A1	230v	RED LED
1212070072	S28200TA1A0R	TYPE A 2 POLE TRANSPARENT	A1	12v	GREEN LED
1212070073	S28200TA1B0R	TYPE A 2 POLE TRANSPARENT	A1	24v	GREEN LED
1212070074	S28200TA1C0R	TYPE A 2 POLE TRANSPARENT	A1	48v	GREEN LED
1212070075	S28200TA1D0R	TYPE A 2 POLE TRANSPARENT	A1	115v	GREEN LED
1212070076	S28200TA1E0R	TYPE A 2 POLE TRANSPARENT	A1	230v	GREEN LED
1212070077	S28200TA1G0R	TYPE A 2 POLE TRANSPARENT	A1	12v	AMBER LED
1212070078	S28200TA1H0R	TYPE A 2 POLE TRANSPARENT	A1	24v	AMBER LED
1212070079	S28200TA1K0R	TYPE A 2 POLE TRANSPARENT	A1	48v	AMBER LED
1212070080	S28200TA1L0R	TYPE A 2 POLE TRANSPARENT	A1	115v	AMBER LED
1212070081	S28200TA1M0R	TYPE A 2 POLE TRANSPARENT	A1	230v	AMBER LED

Part No	MPM Part No	DESCRIPTION	CIRCUIT	VOLTAGE	INDICATOR
1212070082	S28200TC310R	TYPE A 2 POLE TRANSPARENT	C3	12v	RED LED
1212070001	S28200TC320R	TYPE A 2 POLE TRANSPARENT	C3	24v	RED LED
1212070083	S28200TC330R	TYPE A 2 POLE TRANSPARENT	C3	48v	RED LED
1212070084	S28200TC340R	TYPE A 2 POLE TRANSPARENT	C3	115v	RED LED
1212070085	S28200TC350R	TYPE A 2 POLE TRANSPARENT	C3	230v	RED LED
1212070086	S28200TC3A0R	TYPE A 2 POLE TRANSPARENT	C3	12v	GREEN LED
1212070087	S28200TC3B0R	TYPE A 2 POLE TRANSPARENT	C3	24v	GREEN LED
1212070088	S28200TC3C0R	TYPE A 2 POLE TRANSPARENT	C3	48v	GREEN LED
1212070089	S28200TC3D0R	TYPE A 2 POLE TRANSPARENT	C3	115v	GREEN LED
1212070090	S28200TC3E0R	TYPE A 2 POLE TRANSPARENT	C3	230v	GREEN LED
1212070091	S28200TC3G0R	TYPE A 2 POLE TRANSPARENT	C3	12v	AMBER LED
1212070002	S28200TC3H0R	TYPE A 2 POLE TRANSPARENT	C3	24v	AMBER LED
1212070092	S28200TC3K0R	TYPE A 2 POLE TRANSPARENT	C3	48v	AMBER LED
1212070093	S28200TC3L0R	TYPE A 2 POLE TRANSPARENT	C3	115v	AMBER LED
1212070094	S28200TC3M0R	TYPE A 2 POLE TRANSPARENT	C3	230v	AMBER LED

Part No	MPM Part No	DESCRIPTION	CIRCUIT	VOLTAGE	INDICATOR
1212070107	S28200TD010R	TYPE A 2 POLE TRANSPARENT	D0	12v	VDR
1212070108	S28200TD020R	TYPE A 2 POLE TRANSPARENT	D0	24v	VDR
1212070109	S28200TD030R	TYPE A 2 POLE TRANSPARENT	D0	48v	VDR
1212070110	S28200TD040R	TYPE A 2 POLE TRANSPARENT	D0	115v	VDR
1212070111	S28200TD050R	TYPE A 2 POLE TRANSPARENT	D0	230v	VDR
1212070112	S28200TE010R	TYPE A 2 POLE TRANSPARENT	E0	12v	DIODE
1212070113	S28200TE020R	TYPE A 2 POLE TRANSPARENT	E0	24v	DIODE
1212070114	S28200TE030R	TYPE A 2 POLE TRANSPARENT	E0	48v	DIODE
1212070115	S28200TE040R	TYPE A 2 POLE TRANSPARENT	E0	115v	DIODE
1212070116	S28200TE050R	TYPE A 2 POLE TRANSPARENT	E0	230v	DIODE

Part No	MPM Part No	DESCRIPTION	CIRCUIT	VOLTAGE	INDICATOR
1212070095	S28200TC410R	TYPE A 2 POLE TRANSPARENT	C4	12v	RED LED
1212070004	S28200TC420R	TYPE A 2 POLE TRANSPARENT	C4	24v	RED LED
1212070096	S28200TC430R	TYPE A 2 POLE TRANSPARENT	C4	48v	RED LED
1212070006	S28200TC440R	TYPE A 2 POLE TRANSPARENT	C4	115v	RED LED
1212070097	S28200TC450R	TYPE A 2 POLE TRANSPARENT	C4	230v	RED LED
1212070098	S28200TC4A0R	TYPE A 2 POLE TRANSPARENT	C4	12v	GREEN LED
1212070099	S28200TC4B0R	TYPE A 2 POLE TRANSPARENT	C4	24v	GREEN LED
1212070100	S28200TC4C0R	TYPE A 2 POLE TRANSPARENT	C4	48v	GREEN LED
1212070101	S28200TC4D0R	TYPE A 2 POLE TRANSPARENT	C4	115v	GREEN LED
1212070102	S28200TC4E0R	TYPE A 2 POLE TRANSPARENT	C4	230v	GREEN LED
1212070103	S28200TC4G0R	TYPE A 2 POLE TRANSPARENT	C4	12v	AMBER LED
1212070005	S28200TC4H0R	TYPE A 2 POLE TRANSPARENT	C4	24v	AMBER LED
1212070104	S28200TC4K0R	TYPE A 2 POLE TRANSPARENT	C4	48v	AMBER LED
1212070105	S28200TC4L0R	TYPE A 2 POLE TRANSPARENT	C4	115v	AMBER LED
1212070106	S28200TC4M0R	TYPE A 2 POLE TRANSPARENT	C4	230v	AMBER LED

Part No	MPM Part No	DESCRIPTION	CIRCUIT	VOLTAGE	INDICATOR
1212070107	S28200TD010R	TYPE A 2 POLE TRANSPARENT	D0	12v	VDR
1212070108	S28200TD020R	TYPE A 2 POLE TRANSPARENT	D0	24v	VDR
1212070109	S28200TD030R	TYPE A 2 POLE TRANSPARENT	D0	48v	VDR
1212070110	S28200TD040R	TYPE A 2 POLE TRANSPARENT	D0	115v	VDR
1212070111	S28200TD050R	TYPE A 2 POLE TRANSPARENT	D0	230v	VDR

Part No	MPM Part No	DESCRIPTION	CIRCUIT	VOLTAGE	INDICATOR
1212070112	S28200TE010R	TYPE A 2 POLE TRANSPARENT	E0	12v	DIODE
1212070113	S28200TE020R	TYPE A 2 POLE TRANSPARENT	E0	24v	DIODE
1212070114	S28200TE030R	TYPE A 2 POLE TRANSPARENT	E0	48v	DIODE
1212070115	S28200TE040R	TYPE A 2 POLE TRANSPARENT	E0	115v	DIODE
1212070116	S28200TE050R	TYPE A 2 POLE TRANSPARENT	E0	230v	DIODE

Part No	MPM Part No	DESCRIPTION - BULK PACKED
1212070003	S28200TC3B0RCN	S282 T W PCB C3 24V GREEN LED BULK
1212070007	S28200TC420RCN	S282 T W PCB C4 24V RED LED BULK
1212070061	S28200TC420RCN	S282 T W PCB C4 24V RED LED BULK

<b>SEE SHEET 1</b> EC NO: WEU2011-0034 DRAWN: DCARTON 2010/07/21 CHKD: 2010/08/09 APPR: EFOLAN 2010/08/12	QUALITY SYMBOLS ▽=0 ▽=0	GENERAL TOLERANCES (UNLESS SPECIFIED)		DIMENSION STYLE <b>MM ONLY</b>		SCALE <b>1:1</b>	DESIGN UNITS <b>METRIC</b>	THIRD ANGLE PROJECTION	
		4 PLACES ± --- ± --- 3 PLACES ± --- ± --- 2 PLACES ± 0.1 ± --- 1 PLACE ± 0.2 ± --- ANGULAR ± ---°	mm INCH	DRAWN BY DMAHER_WEU	DATE 2010/03/15	TITLE <b>EXTERNAL THREAD S282/283 SERIES 121207</b>			
		DRAFT WHERE APPLICABLE MUST REMAIN WITHIN DIMENSIONS		APPROVED BY JWALLACE	DATE 2010/03/24	MOLEX INCORPORATED			
				MATERIAL NO. <b>SEE TABLES</b>	DOCUMENT NO. <b>SD-121207-001</b>	SHEET NO. <b>2 OF 4</b>			

Part No	MPM Part No	DESCRIPTION	CIRCUIT	VOLTAGE	INDICATOR
1212070117	S28200TS010R	TYPE A 2 POLE TRANSPARENT	S0	12v	RED LED
1212070118	S28200TS020R	TYPE A 2 POLE TRANSPARENT	S0	24v	RED LED
1212070119	S28200TS030R	TYPE A 2 POLE TRANSPARENT	S0	48v	RED LED
1212070120	S28200TS040R	TYPE A 2 POLE TRANSPARENT	S0	115v	RED LED
1212070121	S28200TS050R	TYPE A 2 POLE TRANSPARENT	S0	230v	RED LED
1212070122	S28200TS0A0R	TYPE A 2 POLE TRANSPARENT	S0	12v	GREEN LED
1212070123	S28200TS0B0R	TYPE A 2 POLE TRANSPARENT	S0	24v	GREEN LED
1212070124	S28200TS0C0R	TYPE A 2 POLE TRANSPARENT	S0	48v	GREEN LED
1212070125	S28200TS0D0R	TYPE A 2 POLE TRANSPARENT	S0	115v	GREEN LED
1212070126	S28200TS0E0R	TYPE A 2 POLE TRANSPARENT	S0	230v	GREEN LED
1212070127	S28200TS0G0R	TYPE A 2 POLE TRANSPARENT	S0	12v	AMBER LED
1212070128	S28200TS0H0R	TYPE A 2 POLE TRANSPARENT	S0	24v	AMBER LED
1212070129	S28200TS0K0R	TYPE A 2 POLE TRANSPARENT	S0	48v	AMBER LED
1212070130	S28200TS0L0R	TYPE A 2 POLE TRANSPARENT	S0	115v	AMBER LED
1212070131	S28200TS0M0R	TYPE A 2 POLE TRANSPARENT	S0	230v	AMBER LED

Part No	MPM Part No	DESCRIPTION	CIRCUIT	VOLTAGE	INDICATOR
1212070142	S28300TA110R	TYPE A 2 POLE TRANSPARENT	A1	12v	RED LED
1212070143	S28300TA120R	TYPE A 2 POLE TRANSPARENT	A1	24v	RED LED
1212070144	S28300TA130R	TYPE A 2 POLE TRANSPARENT	A1	48v	RED LED
1212070145	S28300TA140R	TYPE A 2 POLE TRANSPARENT	A1	115v	RED LED
1212070146	S28300TA150R	TYPE A 2 POLE TRANSPARENT	A1	230v	RED LED
1212070147	S28300TA1A0R	TYPE A 2 POLE TRANSPARENT	A1	12v	GREEN LED
1212070148	S28300TA1B0R	TYPE A 2 POLE TRANSPARENT	A1	24v	GREEN LED
1212070149	S28300TA1C0R	TYPE A 2 POLE TRANSPARENT	A1	48v	GREEN LED
1212070150	S28300TA1D0R	TYPE A 2 POLE TRANSPARENT	A1	115v	GREEN LED
1212070151	S28300TA1E0R	TYPE A 2 POLE TRANSPARENT	A1	230v	GREEN LED
1212070152	S28300TA1G0R	TYPE A 2 POLE TRANSPARENT	A1	12v	AMBER LED
1212070153	S28300TA1H0R	TYPE A 2 POLE TRANSPARENT	A1	24v	AMBER LED
1212070154	S28300TA1K0R	TYPE A 2 POLE TRANSPARENT	A1	48v	AMBER LED
1212070155	S28300TA1L0R	TYPE A 2 POLE TRANSPARENT	A1	115v	AMBER LED
1212070156	S28300TA1M0R	TYPE A 2 POLE TRANSPARENT	A1	230v	AMBER LED

Part No	MPM Part No	DESCRIPTION	CIRCUIT	VOLTAGE	INDICATOR
1212070132	S28200TS110R	TYPE A 2 POLE TRANSPARENT	S1	12v	NO LED
1212070133	S28200TS120R	TYPE A 2 POLE TRANSPARENT	S1	24v	NO LED
1212070134	S28200TS130R	TYPE A 2 POLE TRANSPARENT	S1	48v	NO LED
1212070135	S28200TS140R	TYPE A 2 POLE TRANSPARENT	S1	115v	NO LED
1212070136	S28200TS150R	TYPE A 2 POLE TRANSPARENT	S1	230v	NO LED

Part No	MPM Part No	DESCRIPTION	CIRCUIT	VOLTAGE	INDICATOR
1212070157	S28300TC310R	TYPE A 2 POLE TRANSPARENT	C3	12v	RED LED
1212070158	S28300TC320R	TYPE A 2 POLE TRANSPARENT	C3	24v	RED LED
1212070159	S28300TC330R	TYPE A 2 POLE TRANSPARENT	C3	48v	RED LED
1212070160	S28300TC340R	TYPE A 2 POLE TRANSPARENT	C3	115v	RED LED
1212070161	S28300TC350R	TYPE A 2 POLE TRANSPARENT	C3	230v	RED LED
1212070162	S28300TC3A0R	TYPE A 2 POLE TRANSPARENT	C3	12v	GREEN LED
1212070163	S28300TC3B0R	TYPE A 2 POLE TRANSPARENT	C3	24v	GREEN LED
1212070164	S28300TC3C0R	TYPE A 2 POLE TRANSPARENT	C3	48v	GREEN LED
1212070165	S28300TC3D0R	TYPE A 2 POLE TRANSPARENT	C3	115v	GREEN LED
1212070166	S28300TC3E0R	TYPE A 2 POLE TRANSPARENT	C3	230v	GREEN LED
1212070167	S28300TC3G0R	TYPE A 2 POLE TRANSPARENT	C3	12v	AMBER LED
1212070168	S28300TC3H0R	TYPE A 2 POLE TRANSPARENT	C3	24v	AMBER LED
1212070169	S28300TC3K0R	TYPE A 2 POLE TRANSPARENT	C3	48v	AMBER LED
1212070170	S28300TC3L0R	TYPE A 2 POLE TRANSPARENT	C3	115v	AMBER LED
1212070171	S28300TC3M0R	TYPE A 2 POLE TRANSPARENT	C3	230v	AMBER LED

Part No	MPM Part No	DESCRIPTION	CIRCUIT	VOLTAGE	INDICATOR
1212070137	S28300TA010R	TYPE A 2 POLE TRANSPARENT	A0	12v	LAMP/NEON
1212070138	S28300TA020R	TYPE A 2 POLE TRANSPARENT	A0	24v	LAMP/NEON
1212070139	S28300TA030R	TYPE A 2 POLE TRANSPARENT	A0	48v	LAMP/NEON
1212070140	S28300TA040R	TYPE A 2 POLE TRANSPARENT	A0	115v	LAMP/NEON
1212070141	S28300TA050R	TYPE A 2 POLE TRANSPARENT	A0	230v	LAMP/NEON

<b>SEE SHEET 1</b> EC NO: WEU2011-0034 DRAWN BY: DMAHER.WEU 2010/07/21 CHKD: 2010/08/09 APPR: EFOLAN 2010/08/12 REV: C	QUALITY SYMBOLS 	GENERAL TOLERANCES (UNLESS SPECIFIED) <table border="1"> <tr> <td></td> <td>mm</td> <td>INCH</td> </tr> <tr> <td>4 PLACES</td> <td>± .005</td> <td>± .0004</td> </tr> <tr> <td>3 PLACES</td> <td>± .008</td> <td>± .0006</td> </tr> <tr> <td>2 PLACES</td> <td>± 0.1</td> <td>± .004</td> </tr> <tr> <td>1 PLACE</td> <td>± 0.2</td> <td>± .008</td> </tr> <tr> <td colspan="3">ANGULAR ± .005°</td> </tr> </table>		mm	INCH	4 PLACES	± .005	± .0004	3 PLACES	± .008	± .0006	2 PLACES	± 0.1	± .004	1 PLACE	± 0.2	± .008	ANGULAR ± .005°			DIMENSION STYLE <b>MM ONLY</b>	SCALE <b>1:1</b>	DESIGN UNITS <b>METRIC</b>	THIRD ANGLE PROJECTION 
		mm	INCH																					
	4 PLACES	± .005	± .0004																					
	3 PLACES	± .008	± .0006																					
2 PLACES	± 0.1	± .004																						
1 PLACE	± 0.2	± .008																						
ANGULAR ± .005°																								
DRAWN BY: DMAHER.WEU 2010/03/15 CHECKED BY:		DATE: 2010/03/15 DATE:		TITLE <b>EXTERNAL THREAD S282/283 SERIES 121207</b>																				
APPROVED BY: JWALLACE 2010/03/24 MATERIAL NO.		DATE: 2010/03/24 DOCUMENT NO.		<b>MOLEX INCORPORATED</b>																				
DRAFT WHERE APPLICABLE MUST REMAIN WITHIN DIMENSIONS		<b>SEE TABLES</b>		<b>SD-121207-001</b>		SHEET NO. <b>3 OF 4</b>																		

Part No	MPM Part No	DESCRIPTION	CIRCUIT	VOLTAGE	INDICATOR
1212070172	S28300TC410R	TYPE A 2 POLE TRANSPARENT	C4	12v	RED LED
1212070173	S28300TC420R	TYPE A 2 POLE TRANSPARENT	C4	24v	RED LED
1212070174	S28300TC430R	TYPE A 2 POLE TRANSPARENT	C4	48v	RED LED
1212070175	S28300TC440R	TYPE A 2 POLE TRANSPARENT	C4	115v	RED LED
1212070176	S28300TC450R	TYPE A 2 POLE TRANSPARENT	C4	230v	RED LED
1212070177	S28300TC4A0R	TYPE A 2 POLE TRANSPARENT	C4	12v	GREEN LED
1212070178	S28300TC4B0R	TYPE A 2 POLE TRANSPARENT	C4	24v	GREEN LED
1212070179	S28300TC4C0R	TYPE A 2 POLE TRANSPARENT	C4	48v	GREEN LED
1212070180	S28300TC4D0R	TYPE A 2 POLE TRANSPARENT	C4	115v	GREEN LED
1212070181	S28300TC4E0R	TYPE A 2 POLE TRANSPARENT	C4	230v	GREEN LED
1212070182	S28300TC4G0R	TYPE A 2 POLE TRANSPARENT	C4	12v	AMBER LED
1212070183	S28300TC4H0R	TYPE A 2 POLE TRANSPARENT	C4	24v	AMBER LED
1212070184	S28300TC4K0R	TYPE A 2 POLE TRANSPARENT	C4	48v	AMBER LED
1212070185	S28300TC4L0R	TYPE A 2 POLE TRANSPARENT	C4	115v	AMBER LED
1212070186	S28300TC4M0R	TYPE A 2 POLE TRANSPARENT	C4	230v	AMBER LED

Part No	MPM Part No	DESCRIPTION	CIRCUIT	VOLTAGE	INDICATOR
1212070197	S28300TS010R	TYPE A 2 POLE TRANSPARENT	S0	12v	RED LED
1212070198	S28300TS020R	TYPE A 2 POLE TRANSPARENT	S0	24v	RED LED
1212070199	S28300TS030R	TYPE A 2 POLE TRANSPARENT	S0	48v	RED LED
1212070200	S28300TS040R	TYPE A 2 POLE TRANSPARENT	S0	115v	RED LED
1212070201	S28300TS050R	TYPE A 2 POLE TRANSPARENT	S0	230v	RED LED
1212070202	S28300TS0A0R	TYPE A 2 POLE TRANSPARENT	S0	12v	GREEN LED
1212070203	S28300TS0B0R	TYPE A 2 POLE TRANSPARENT	S0	24v	GREEN LED
1212070204	S28300TS0C0R	TYPE A 2 POLE TRANSPARENT	S0	48v	GREEN LED
1212070205	S28300TS0D0R	TYPE A 2 POLE TRANSPARENT	S0	115v	GREEN LED
1212070206	S28300TS0E0R	TYPE A 2 POLE TRANSPARENT	S0	230v	GREEN LED
1212070207	S28300TS0G0R	TYPE A 2 POLE TRANSPARENT	S0	12v	AMBER LED
1212070208	S28300TS0H0R	TYPE A 2 POLE TRANSPARENT	S0	24v	AMBER LED
1212070209	S28300TS0K0R	TYPE A 2 POLE TRANSPARENT	S0	48v	AMBER LED
1212070210	S28300TS0L0R	TYPE A 2 POLE TRANSPARENT	S0	115v	AMBER LED
1212070211	S28300TS0M0R	TYPE A 2 POLE TRANSPARENT	S0	230v	AMBER LED

Part No	MPM Part No	DESCRIPTION	CIRCUIT	VOLTAGE	INDICATOR
1212070187	S28300TD010R	TYPE A 2 POLE TRANSPARENT	D0	12v	VDR
1212070188	S28300TD020R	TYPE A 2 POLE TRANSPARENT	D0	24v	VDR
1212070189	S28300TD030R	TYPE A 2 POLE TRANSPARENT	D0	48v	VDR
1212070190	S28300TD040R	TYPE A 2 POLE TRANSPARENT	D0	115v	VDR
1212070191	S28300TD050R	TYPE A 2 POLE TRANSPARENT	D0	230v	VDR

Part No	MPM Part No	DESCRIPTION	CIRCUIT	VOLTAGE	INDICATOR
1212070212	S28300TS110R	TYPE A 2 POLE TRANSPARENT	S1	12v	NO LED
1212070213	S28300TS120R	TYPE A 2 POLE TRANSPARENT	S1	24v	NO LED
1212070214	S28300TS130R	TYPE A 2 POLE TRANSPARENT	S1	48v	NO LED
1212070215	S28300TS140R	TYPE A 2 POLE TRANSPARENT	S1	115v	NO LED
1212070216	S28300TS150R	TYPE A 2 POLE TRANSPARENT	S1	230v	NO LED

Part No	MPM Part No	DESCRIPTION	CIRCUIT	VOLTAGE	INDICATOR
1212070192	S28300TE010R	TYPE A 2 POLE TRANSPARENT	E0	12v	DIODE
1212070193	S28300TE020R	TYPE A 2 POLE TRANSPARENT	E0	24v	DIODE
1212070194	S28300TE030R	TYPE A 2 POLE TRANSPARENT	E0	48v	DIODE
1212070195	S28300TE040R	TYPE A 2 POLE TRANSPARENT	E0	115v	DIODE
1212070196	S28300TE050R	TYPE A 2 POLE TRANSPARENT	E0	230v	DIODE

SEE SHEET 1 EC NO: WEU2011-0034 DRAWN: DCARTON 2010/07/21 CHKD: 2010/08/09 APPR: EFOLAN 2010/08/12	QUALITY SYMBOLS ▽=0 ▽=0	GENERAL TOLERANCES (UNLESS SPECIFIED) <table border="1"> <tr> <th></th> <th>mm</th> <th>INCH</th> </tr> <tr> <td>4 PLACES</td> <td>± ---</td> <td>± ---</td> </tr> <tr> <td>3 PLACES</td> <td>± ---</td> <td>± ---</td> </tr> <tr> <td>2 PLACES</td> <td>± 0.1</td> <td>± ---</td> </tr> <tr> <td>1 PLACE</td> <td>± 0.2</td> <td>± ---</td> </tr> <tr> <td colspan="3">ANGULAR ± ---°</td> </tr> </table>		mm	INCH	4 PLACES	± ---	± ---	3 PLACES	± ---	± ---	2 PLACES	± 0.1	± ---	1 PLACE	± 0.2	± ---	ANGULAR ± ---°			DIMENSION STYLE <b>MM ONLY</b>	SCALE <b>1:1</b>	DESIGN UNITS <b>METRIC</b>	THIRD ANGLE PROJECTION
		mm	INCH																					
	4 PLACES	± ---	± ---																					
	3 PLACES	± ---	± ---																					
2 PLACES	± 0.1	± ---																						
1 PLACE	± 0.2	± ---																						
ANGULAR ± ---°																								
DRAWN BY DMAHER_WEU	DATE 2010/03/15	TITLE <b>EXTERNAL THREAD S282/283 SERIES 121207</b>																						
CHECKED BY	DATE	APPROVED BY JWALLACE																						
MATERIAL NO. SEE TABLES	DATE 2010/03/24	DOCUMENT NO. <b>SD-121207-001</b>		SHEET NO. 4 OF 4																				