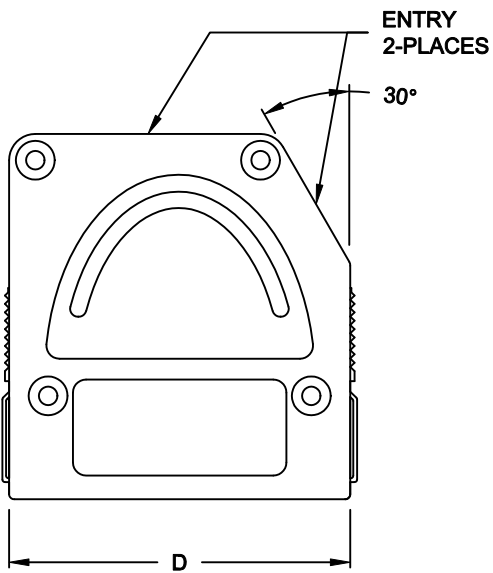
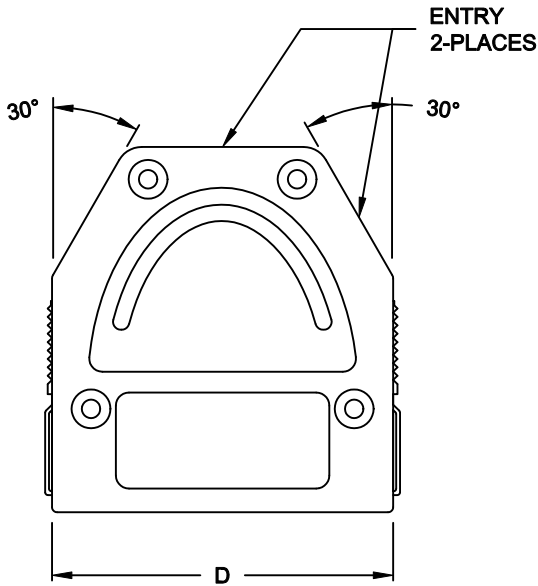


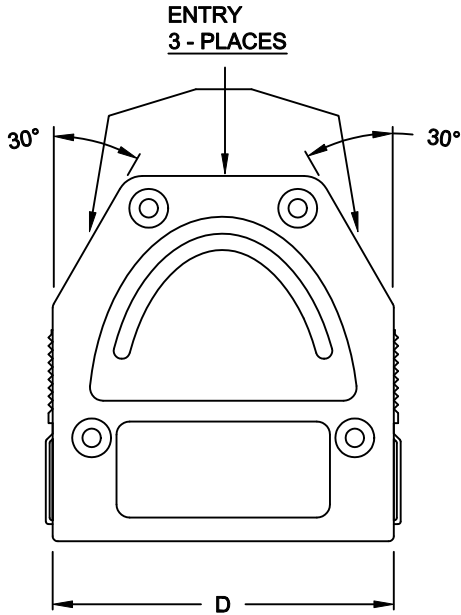
DESCRIPTION: QUICK RELEASE - BLACK & METALIZED PLASTIC



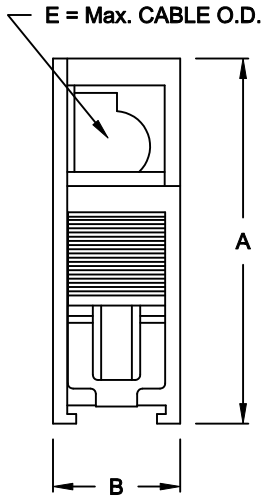
9 & 15 POSITION



25 POSITION



37 POSITION

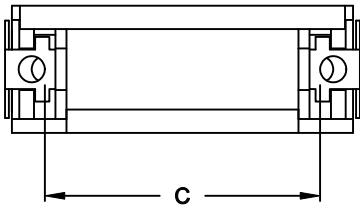


SPECIFICATION:

MATERIAL
 BLACK PLASTIC: ABS PLASTIC, SICOFLEX, UL 94 V-0
 METALIZED PLASTIC: NICKEL OVER COPPER PLATING
 TEMP RATING: -55°C to +125°C

BACKSHELL KIT INCLUDES:

- (2) BACKSHELL HALVES
- (4) MOUNTING SCREWS
- (1) STRAIN RELIEF CLAMP
- (2) STRAIN RELIEF SCREWS



955-YYY-YYYRYY1

SERIES _____
POSITIONS _____
 009
 015
 025
 037
MATERIAL _____
 010 = PLASTIC
 020 = METALIZED PLASTIC
 RoHS COMPLIANT _____
 R = HIGH TEMP. PROCESS
COLOR _____
 01 = BLACK
 12 = METAL(IZED)
PUT-UP _____
 1 = KIT

DIMENSIONS (IN.)					
No. OF PINS	A	B	C	D	E
09	1.740	0.606	0.984	1.299	0.354
15	1.740	0.606	1.312	1.626	0.394
25	1.740	0.606	1.852	2.165	0.433
37	1.740	0.606	2.500	2.815	0.433

DO NOT SCALE FROM DRAWING



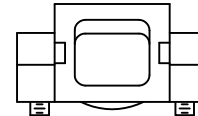
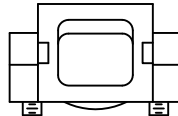
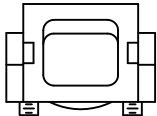
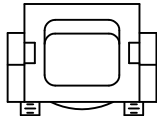
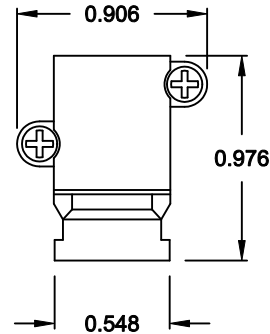
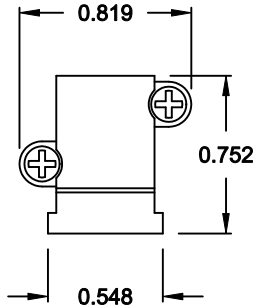
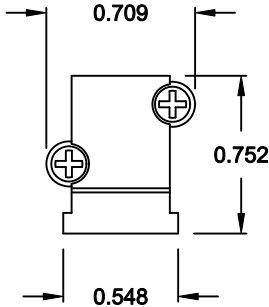
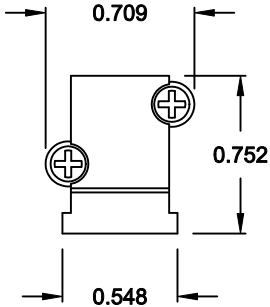
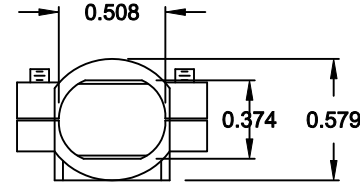
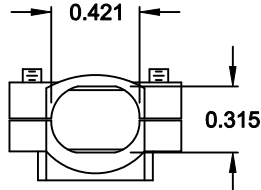
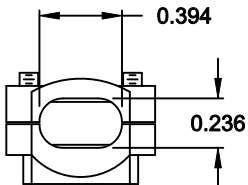
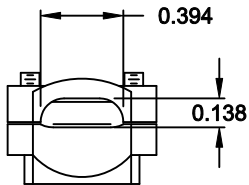
THESE DRAWINGS AND SPECIFICATIONS ARE THE PROPERTY OF NorComp AND SHALL NOT BE REPRODUCED, COPIED OR USED AS THE BASIS FOR THE MANUFACTURE OF SALE OF APPARATUS WITHOUT WRITTEN PERMISSION.

DRAWN: C. SMITH		DATE: 04-10-07	
CHECKED:		DATE:	
SCALE: 1:1	SHEET 1	OF 2	REV 3
DWG NO. 955-YYY-YYYRYY1			

NorComp

RoHS COMPLIANT

CABLE CLAMPS ORDERED SEPARATELY



P/N 955-09-SR-4-7
CABLE RANGE = 0.157 - 0.276

P/N 955-15-SR-7-10
CABLE RANGE = 0.276 - 0.394

P/N 955-25-SR-9-12
CABLE RANGE = 0.354 - 0.472

P/N 955-37-SR-11-14
CABLE RANGE = 0.433 - 0.551

DO NOT SCALE FROM DRAWING



THESE DRAWINGS AND SPECIFICATIONS ARE THE PROPERTY OF NorComp AND SHALL NOT BE REPRODUCED, COPIED OR USED AS THE BASIS FOR THE MANUFACTURE OF SALE OF APPARATUS WITHOUT WRITTEN PERMISSION.

DRAWN: C. SMITH		DATE: 04-10-07	
CHECKED:		DATE:	

NorComp

SCALE: 1 : 1	SHEET 2 OF 2	REV 3
DWG NO. 955-YYY-YYYRYY1		

RoHS COMPLIANT