

REVISIONS				
P	LTR	DESCRIPTION	DATE	APVD
	A1	2-963748-2 is Discontinued	15JUL2016	JJH Merz

CUSTOMER DRAWING FOR PN 963748


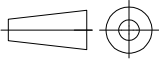
SEE 1355052

RELEASED FOR PUBLICATION
 FREI FÜR VERÖFFENTLICHUNG
 ALL RIGHTS RESERVED.

THIS DRAWING IS UNPUBLISHED.
 VERTRAULICHE UNVERÖFFENTLICHTE ZEICHNUNG.

© COPYRIGHT -- By --

A1	OBSOLETE	2-963748-3	FOR CURRENT REVISION SEE STRIP-DRW.
		2-963748-2	
		2-963748-1	
		1-963748-3	
		1-963748-2	
		1-963748-1	
		LP NO	REV

DIMENSIONS: MASSENHEITEN mm	DWN	7JUN2005	MATERIAL	-	FINISH OBERFLAECHE/FARBE	-	
	CHK	-	 TE Connectivity				
TOLERANCES UNLESS OTHERWISE SPECIFIED: ALLGEMEINTOLERANZEN	APVD	7JUN2005					NAME
0 PLC ± - <small>P: ISO 8015 - mH -E</small> 1 PLC ± - <small>P: ISO 2768</small> 2 PLC ± - <small>P: DIN 16901 - 140</small> 3 PLC ± - 4 PLC ± - ANGLES/WINKEL ± -	PRODUCT SPEC PRODUKTSPEZ. -	APPLICATION SPEC VERARBEITUNGSSPEZ. -	SIZE	CAGE CODE	DRAWING NO ZEICHNUNGS-NR.	RESTRICTED TO NUR FUER	
	WEIGHT GEWICHT	0.000000	A4	00779	C-963748	-	
CUSTOMER DRAWING / KUNDENZEICHNUNG			SCALE MASSSTAB	-	SHEET BLATT	1 OF 1	REV A1