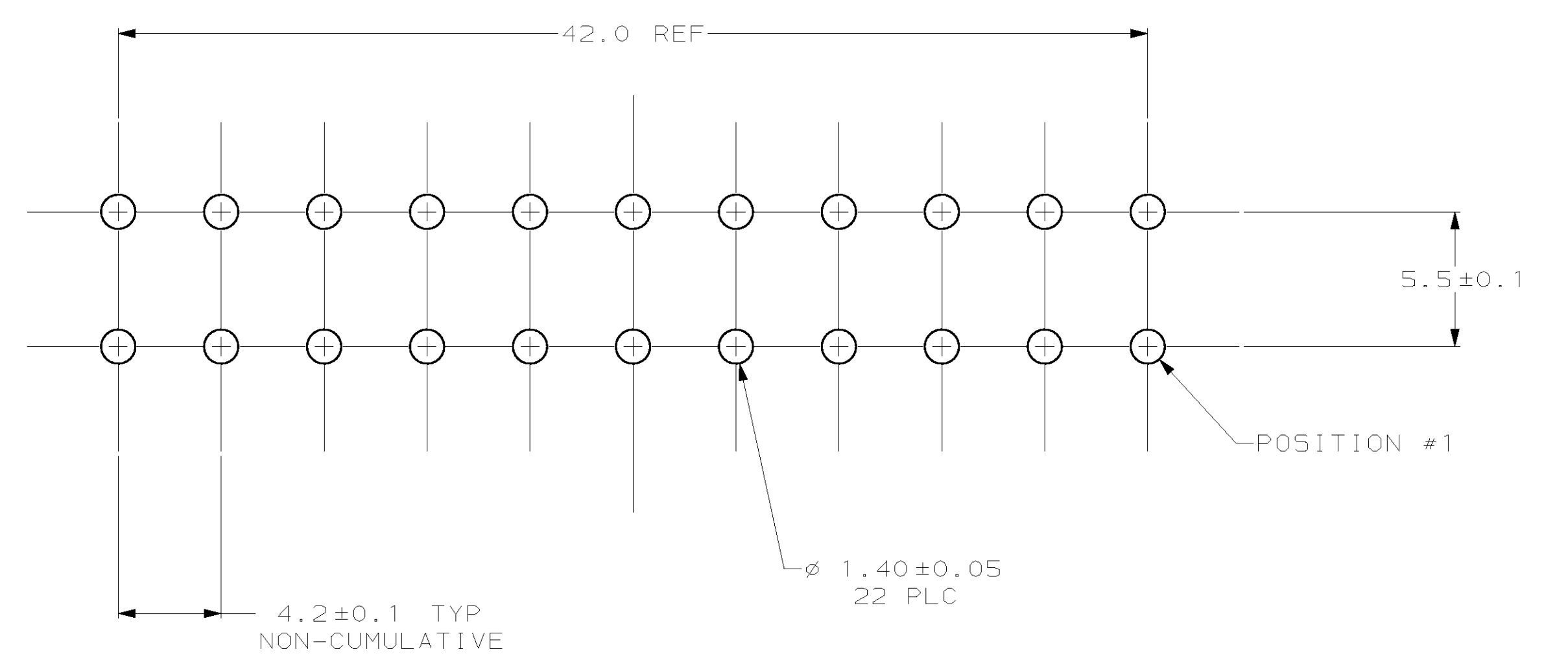
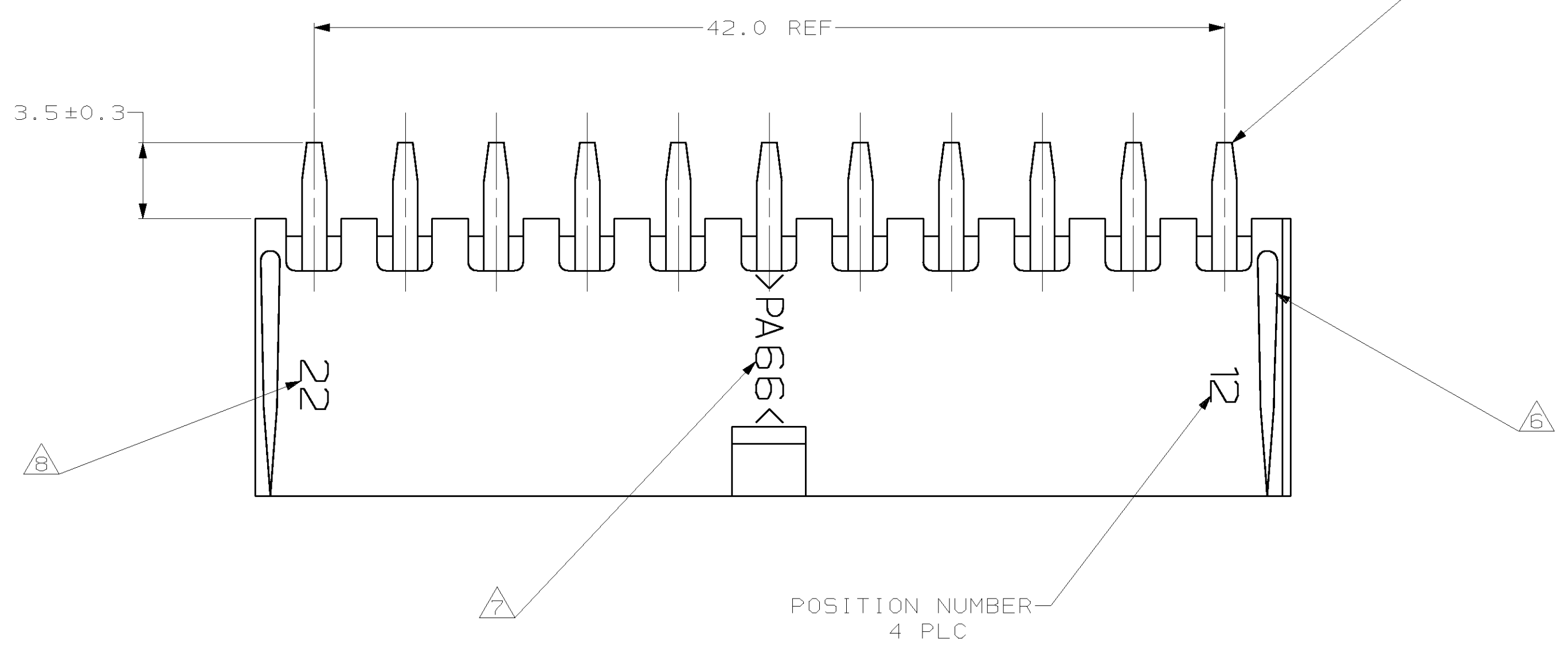
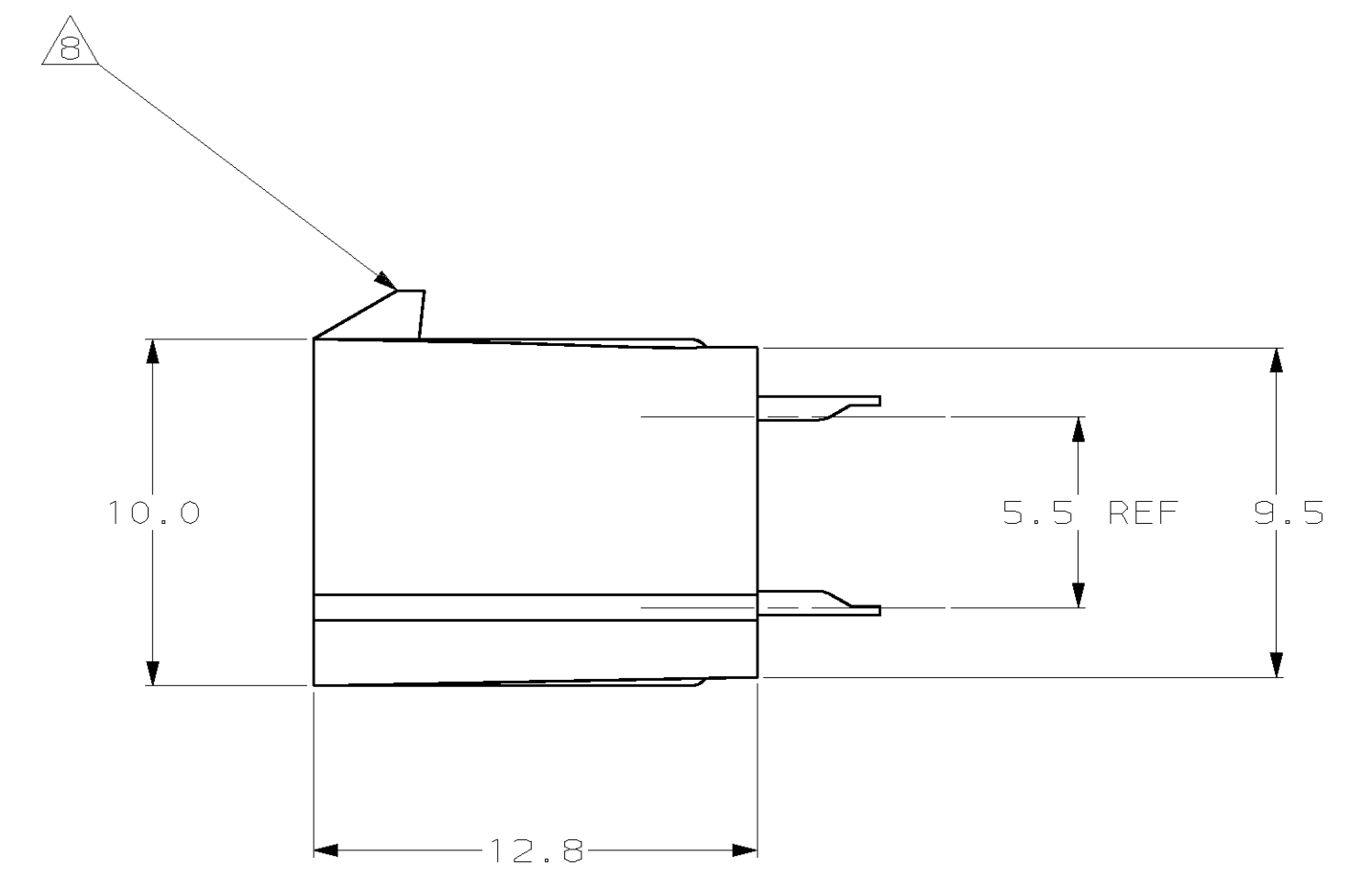
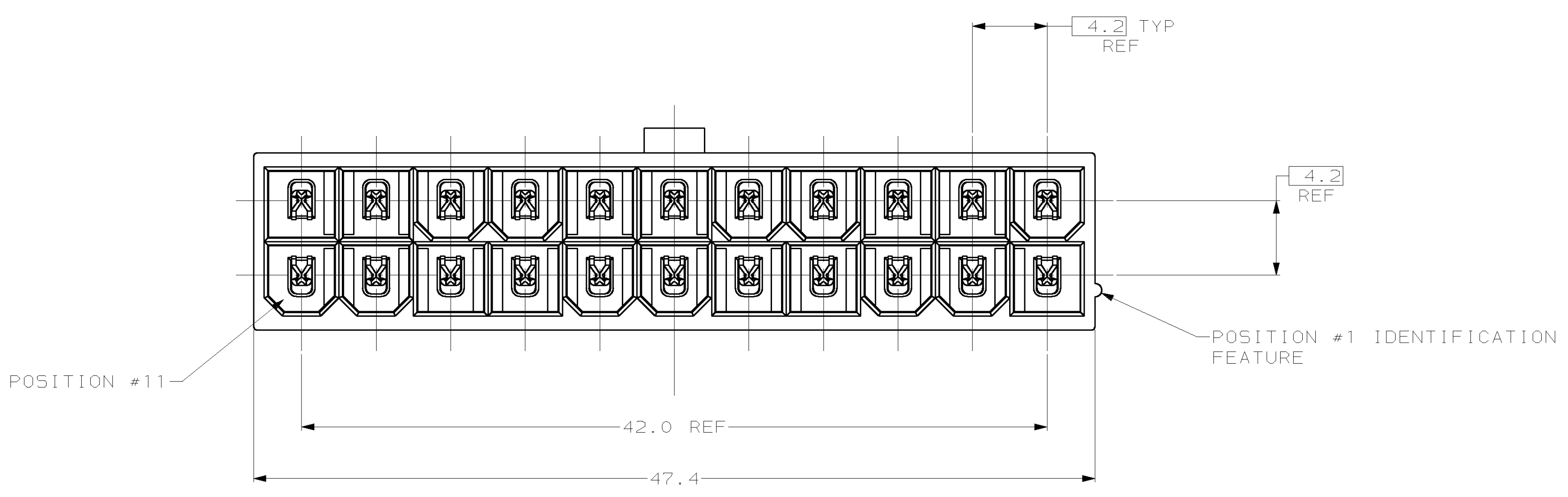


LOC	DIST	REV	DESCRIPTION	DATE	OWN	APPROV
CM	53	A	REV PER EC 061B-0049-99	19-APR-99	JH	RS

- ① MATERIAL: HOUSING - NYLON, UL94V-2 (COLOR - NATURAL, COLOR OF PARTS MAY VARY).  
CONTACTS - 0.25 THK COPPER ALLOY.
- ② CONTACT FINISH: 0.003 MIN THK TIN-LEAD OVER 0.00127 MIN THK NICKEL OVER ENTIRE CONTACT.
- ③ CONTACT FINISH: 0.00076 MIN THK GOLD PLATE ON PIN MATING SURFACE, 0.003 MIN THK TIN-LEAD PLATE ON SOLDER TAIL, ALL OVER 0.00127 MIN THK NICKEL BASE PLATE.
- 4. SOLDER TAIL MEETS AMP SOLDERABILITY SPECIFICATION 109-11-2.
- 5. MATES WITH SIMILARLY PLATED AMP-DUAC™ POWER CONNECTOR RECEPTACLE HOUSINGS/SOCKET CONTACTS.
- ⑥ RIBS ON FOUR CORNERS OPTIONAL.
- ⑦ AMP LOGO AND MATERIAL ID MAY BE LOCATED ON EITHER LONG SIDE OF PART.
- ⑧ SIZE, SHAPE OR STYLE OF THIS FEATURE MAY VARY.



RECOMMENDED MOUNTING HOLE PATTERN  
 FOR 1.78 MAX THICK P.C. BOARD  
 COMPONENT SIDE SHOWN



①	③	①	①	794359-2
①	②	①	①	794359-1
MATERIAL CONTACT		MATERIAL HOUSING		PART NO
THIS DRAWING IS A CONTROLLED DOCUMENT.				
DIMENSIONS: mm		TOLERANCES UNLESS OTHERWISE SPECIFIED:		DWN: R. VESTAL 6-03-98 DIR: R. SWING 6-03-98 CASH: C. CASH 6-03-98 NAME: AMP Incorporated Harrisburg, PA 17105-3608 PRODUCT SPEC: ASSEMBLY, HEADER, VERTICAL, 22 POSITION, W/DRAIN HOLES, 108-1699 APPLICATION SPEC: 94V-2, AMP-DUAC™ POWER CONNECTOR
0 PLC ±	1 PLC ±0.2	2 PLC ±0.13	3 PLC ±	4 PLC ±
MATERIAL SEE TABLE		FINISH SEE TABLE		SIZE: A1 CAGE CODE: 00779 DRAWING NO: C-794359 WEIGHT: - CUSTOMER DRAWING: - SCALE: 5:1 SHEET: 1 OF 1 REV: A

