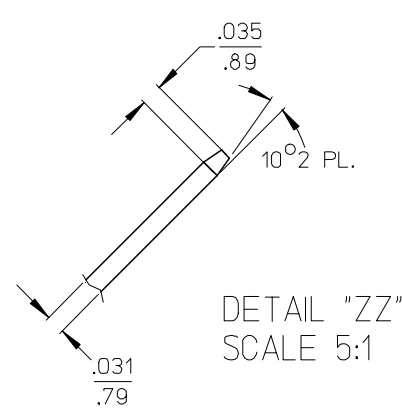
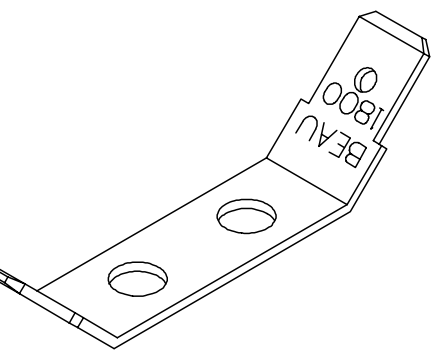


- NOTES:
1. MATERIAL: 70/30 BRASS, HALF HARD
  2. FINISHES: SEE TABLE
  3. PART IS RoHS COMPLIANT



380020263	1804-0601-A500	380020261	TIN PLATED
380020261	1804-0601-A110	435870182	PLAIN
MATERIAL NO.	ENGINEERING NO.	MADE FROM	FINISH

NO CHANGE FROM C  
 EC NO: ETC2007-0441  
 DRW: NCLYORK 2007/06/05  
 CHKD: JMACNEIL 2007/06/10  
 APPR: JMACNEIL 2007/06/11

REV	DESCRIPTION
1	

QUALITY SYMBOLS	
	=0
	=0

GENERAL TOLERANCES (UNLESS SPECIFIED)	
	mm
4 PLACES	± ---
3 PLACES	± 0.038
2 PLACES	± 0.13
1 PLACE	± 0.25
ANGULAR ± 2 °	

DIMENSION STYLE IN/MM		SCALE 3:1	DESIGN UNITS INCH	THIRD ANGLE PROJECTION
DRAWN BY HCH	DATE 69/05/12	TITLE TERMINAL, FAST TAB SLSL OPTION -1811		
CHECKED BY	DATE	APPROVED BY RN		
MATERIAL NO. SEE CHART		DOCUMENT NO. SD-38002-040		
SIZE B		SHEET NO. 1 OF 1		

THIS DRAWING CONTAINS INFORMATION THAT IS PROPRIETARY TO MOLEX INCORPORATED AND SHOULD NOT BE USED WITHOUT WRITTEN PERMISSION