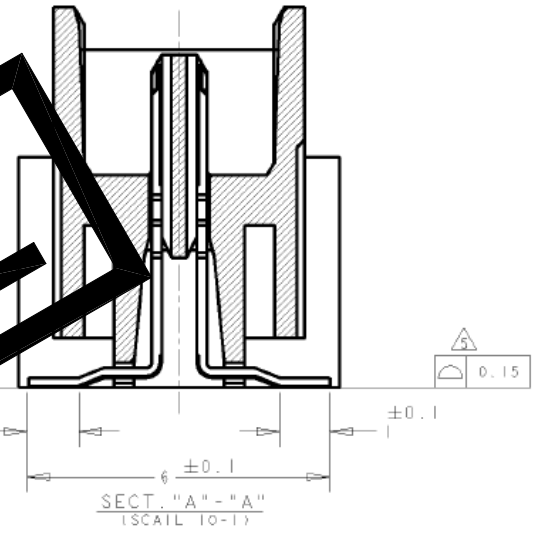
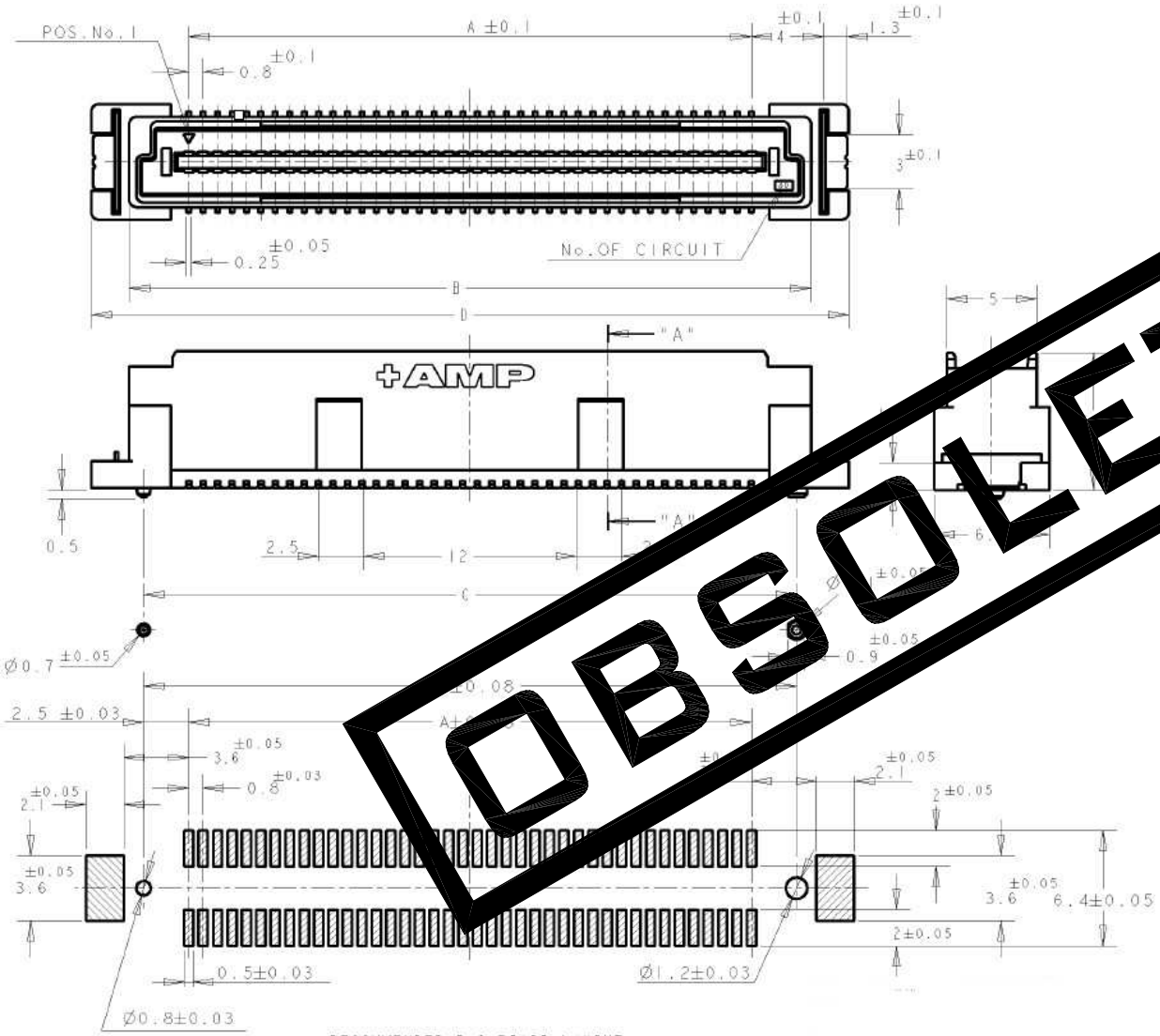


REVISIONS					
P	LTR	DESCRIPTION	DATE	DWN	APVD
A		ECO-20-009897	02MAR2021	A.L	H.L

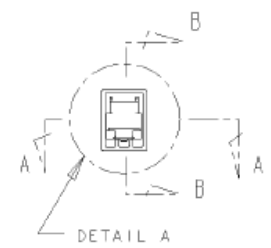
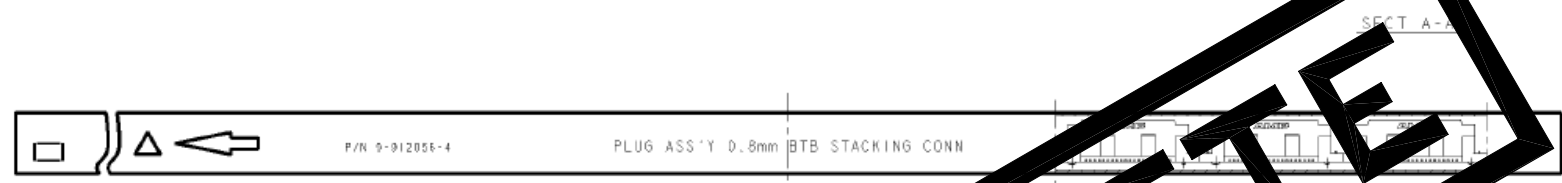
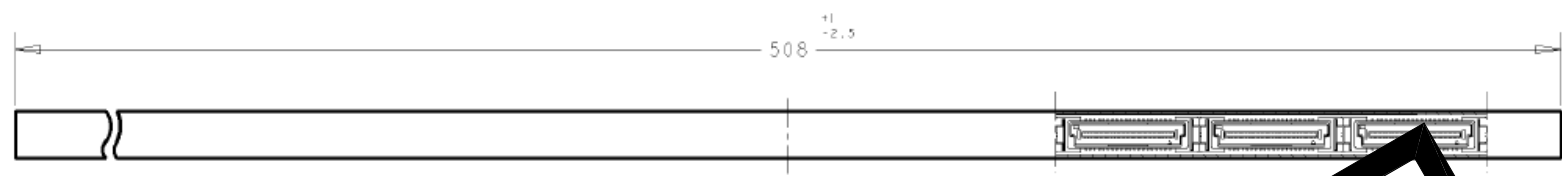


- NOTES:
- 1. MATERIAL; HOUSING: L.C.P. (HIGH TEMP THERMO PLASTIC)  
UL 94V-0. NATURAL.  
CONTACT & SOLDER PEG: BRASS.
  - 2. FINISH; CONTACT AREA: 0.0002 MIN GOLD ON  
0.0013 MIN ALL OVER NICKEL.  
SOLDERING AREA: 0.001 MIN MATTE TIN.
  - 3. POSITION SERIES: SEE TABLE.
  - 4. CONN STACK HEIGHT COMBINE OF PLUG "Y" H VS REC "X" H.  
STACK HEIGHT = Y + X - 5
  - 5. TINE AND MOUNT METAL HEIGHT SHALL BE 0.15 MAX.
  - 6. OBSOLETE PARTS: OBSOLETE CIS STREAMLINING PER D.RENAUD/D.SINISI

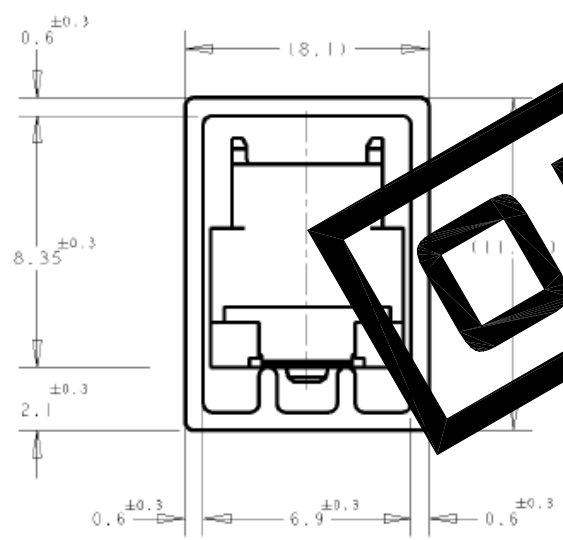
P/N SEE SHEET 2 OF 2

THIS DRAWING IS A CONTROLLED DOCUMENT.		DWN FLORENCE TAN 13SEP04	TE Connectivity		
		CHK ERIC TNG			
DIMENSIONS: mm		APVD SF LEONG	PRODUCT SPEC		
		APPLICATION SPEC		RESTRICTED TO	
MATERIAL - 1		WEIGHT -		SIZE A3	
TOLERANCES UNLESS OTHERWISE SPECIFIED:		FINISH - 2		CAGE CODE 00779	
0 PLC ± - 1 PLC ± 0.3 2 PLC ± 0.25 3 PLC ± 0.2 4 PLC ± - ANGLES ± 3°		DRAWING NO C=5179562		SCALE 1:1	
		CUSTOMER DRAWING		SHEET 1 OF 2	
				REV A	

REVISIONS					
P	LTR	DESCRIPTION	DATE	DWN	APVD
-	-	SEE SHEET 1	-	-	-



REFERENCE PICTURE OF TUBE PACK



DETAIL "B"  
(SCALE 5-1)

OBSOLETE

<b>OBSOLETE</b>	90.0	84.2	85.8	79.2	200	
	82.0	76.2	77.8	71.2	180	
	74.0	68.2	69.8	63.2	160	
<b>OBSOLETE</b>	66.0	60.2	61.8	55.2	140	
	58.0	52.2	53.8	47.2	120	-5
	50.0	44.2	45.8	39.2	100	-4
<b>OBSOLETE</b>	42.0	36.2	37.8	31.2	80	
	34.0	28.2	29.8	23.2	60	
	26.0	20.2	21.8	15.2	40	5179562
	D	C	B	A	POS.	P/N

THIS DRAWING IS A CONTROLLED DOCUMENT.

DWN FLORENCE TAN 13SEP04  
CHK ERIC TNG  
APVD SF LEONG  
PRODUCT SPEC -  
APPLICATION SPEC -  
WEIGHT -

**TE** TE Connectivity

PLUG ASSY WITH SOLDER PEG 8H TYPE FOR FH 0.8MM PITCH B-T-B CONNECTOR STD

SIZE A3 CAGE CODE 00779 C=5179562 DRAWING NO - RESTRICTED TO -

MATERIAL - FINISH -

CUSTOMER DRAWING SCALE 1:1 SHEET 2 OF 2 REV A