

Customer Information Sheet

DRAWING No.: MMCX-3505

SHEET 2 OF 2

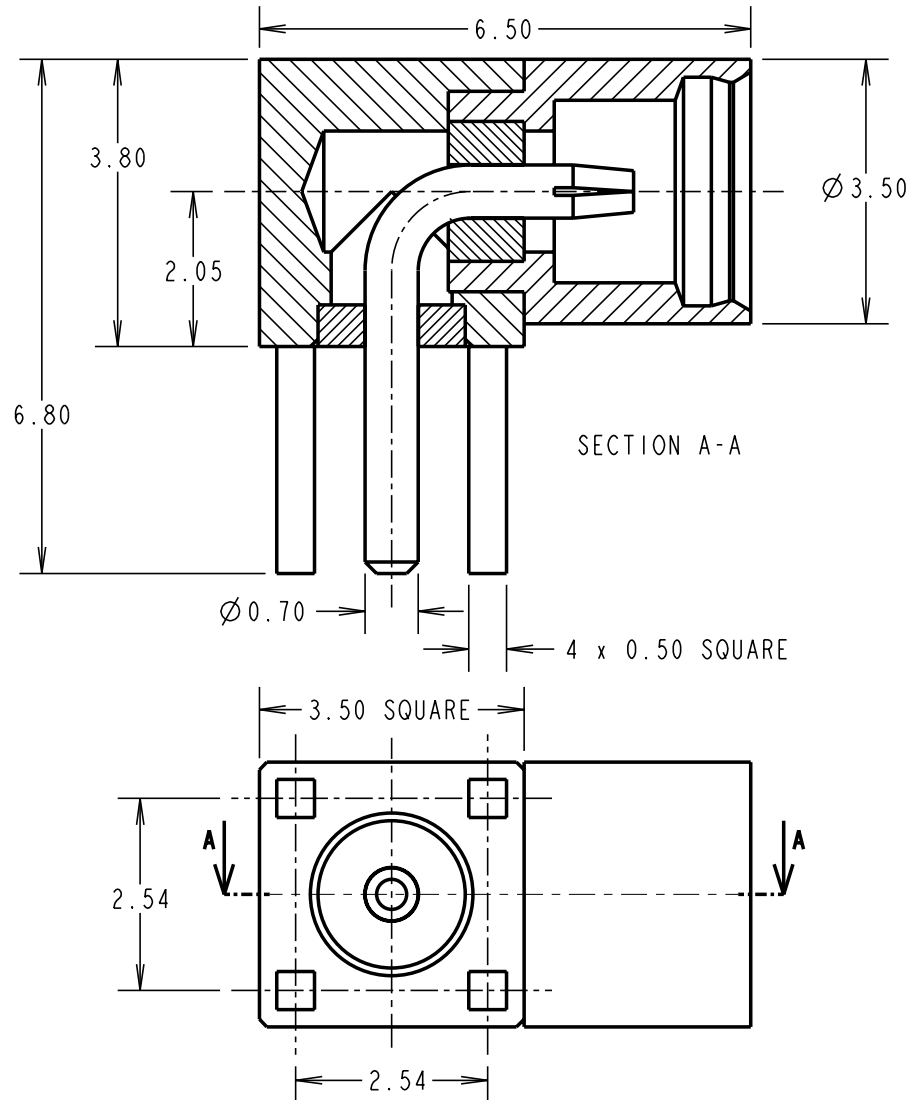
IF IN DOUBT - ASK

(C)

NOT TO SCALE

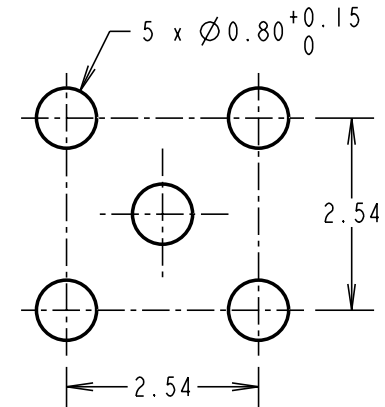
THIRD ANGLE PROJECTION

ALL DIMENSIONS IN mm



NOTES:

1. FOR COMPLETE SPECIFICATION AND INTERFACE DIMENSIONS, SEE COMPONENT SPECIFICATION C036XX (LATEST ISSUE).



RECOMMENDED PCB LAYOUT

SPECIFICATIONS:

MATERIALS:

BODY = BRASS
CENTRE CONTACT = BERYLLIUM COPPER
INSULATOR = TEFLON

FINISH:

BODY = 0.1 μm MIN GOLD
CENTRE CONTACT = 0.75 μm MIN GOLD

ELECTRICAL:

FREQUENCY RANGE = 0 TO 6 GHz
NORMAL IMPEDANCE = 50 OHMS
V.S.W.R. = 1.30 MAX
INSERTION LOSS = 0.3 dB MAX AT 1GHz
OPERATING VOLTAGE = 170V AC MAX
DIELECTRIC STRENGTH = 500V AC MAX
CONTACT RESISTANCE (BODY) = 2.5 mΩ MAX
CONTACT RESISTANCE (CENTRE CONTACT) = 5.0 mΩ MAX
INSULATION RESISTANCE = 1,000 MΩ MIN

ENVIRONMENTAL:

TEMPERATURE RANGE = -65°C TO +165°C

MECHANICAL:

DURABILITY = 500 CYCLES

WJB	I	05.09.01	6088
NAME	ISS.	DATE	C/NOTE

APPROVED:

CHECKED:

DRAWN: W. J. BOURNE

CUSTOMER REF.:

ASSEMBLY DRG:

ORDER CODE:
MMCX-3505
FINISH _____
05 - GOLD

HARWIN

THIS DRAWING AND ANY INFORMATION OR DESCRIPTIVE MATTER SET OUT HEREON ARE CONFIDENTIAL AND COPYRIGHT PROPERTY OF THE HARWIN GROUP AND MUST NOT BE DISCLOSED, LOANED, COPIED OR USED FOR MANUFACTURING, TENDERING OR FOR ANY OTHER PURPOSE WITHOUT THEIR WRITTEN PERMISSION.

TOLERANCES

X. = ±1mm
X.X = ±0.25mm
X.XX = ±0.10mm
X.XXX = ±0.01mm

ANGLES = ±5°

UNLESS STATED

MATERIAL:

SEE ABOVE

FINISH: SEE ABOVE

S/AREA: mm²

TITLE:

HORIZONTAL PC TAIL JACK
SOCKET MMCX COAX CONNECTOR

DRAWING NUMBER:

MMCX-3505

SHT
2
OF 2

HARWIN INC
U.S.A.
TEL: (812) 285 0055
FAX: (812) 285 0056

HARWIN PLC
U.K.
TEL: 023 9237 0451
FAX: 023 9231 4590

HARWIN PTE
SINGAPORE
TEL: 65 7794909
FAX: 65 7793868