

- Structure      Silicon Monolithic Integrated Circuit
- Product        7 x 7 Matrix LED DRIVER for Mobile Phone
- Type            **BH6948GU**
- Figure

1. Highly effective Charge Pump circuit that can be switched 1 time, 1.5 times, and 2 times pressure automatically. (190mA / MAX)
2. 7-channel LED DRIVER that can control PWM (IoMAX = 31mA/ch, Current step = 1mA)
3. 7-channel PMOS-SW controlled with 1/8TDMA
4. It is possible to make 49(7X7) LED shine by PMOS-SW and the LED driver
5. SPI Interface
6. Wafer Level CSP package for space constrained applications  
62pin (4.1mm × 4.1 mm height = 1.0mm-max)

● Absolute Maximum Ratings (Ta = 25°C)

Parameter	Symbol	Rating	Unit
Maximum Supply Voltage	V <sub>MAX</sub>	5.5	V
Power Dissipation ※	Pd	1.47	W
Operating Temperature Range	T <sub>opr</sub>	-30~+85	°C
Storage Temperature Range	T <sub>stg</sub>	-55~+125	°C

- ※ When using more than at Ta=25°C, it is reduced 14.7mW per 1°C.  
When RHOM specification board 50mm X 58mm mounting.  
Cautions : A device may be destroyed when it is used on the conditions beyond this value.  
Moreover, the usual operation is not guaranteed.

● Operating Conditions

Parameter	Symbol	Range	Unit	Block
V <sub>BAT1</sub> Voltage ※1	V <sub>BAT1</sub>	3.15~4.5	V	VREF/BGR
V <sub>BATCP</sub> Voltage ※1	V <sub>BATCP</sub>		V	DCDC
DVDD1 Voltage ※2	V <sub>DVDD1</sub>	1.7~3.1	V	I/O
DVDD2 Voltage ※2	V <sub>DVDD2</sub>	2.7~3.1	V	Logic

- ※1 49LED lighting  
※2 DVDD1 ≤ DVDD2

©This product is not especially designed to be protected from radioactivity.

Status of this document.

The Japanese version of this document is the formal specification.

A customer may use this translation version only for reference to help reading the formal version.

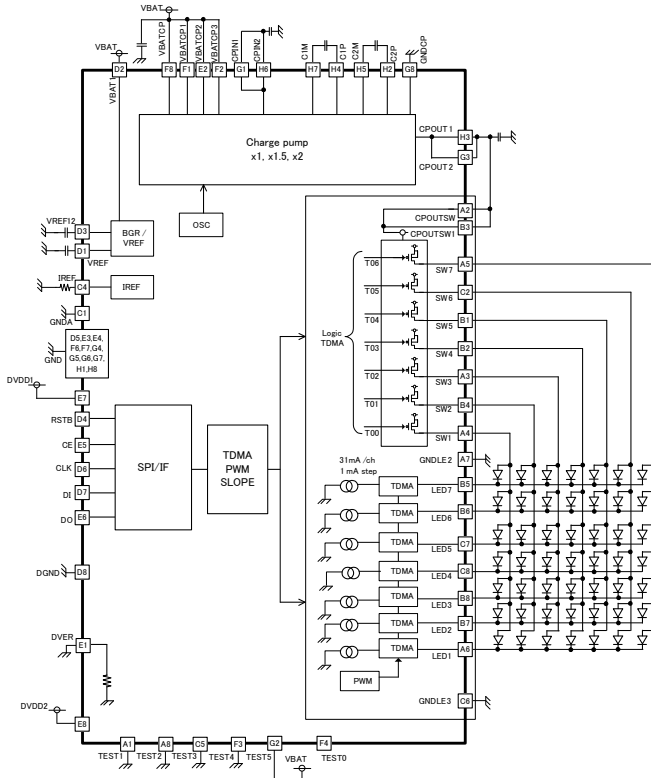
If there are any differences in translation version of this document, formal version takes priority.

## ● Electrical Characteristics

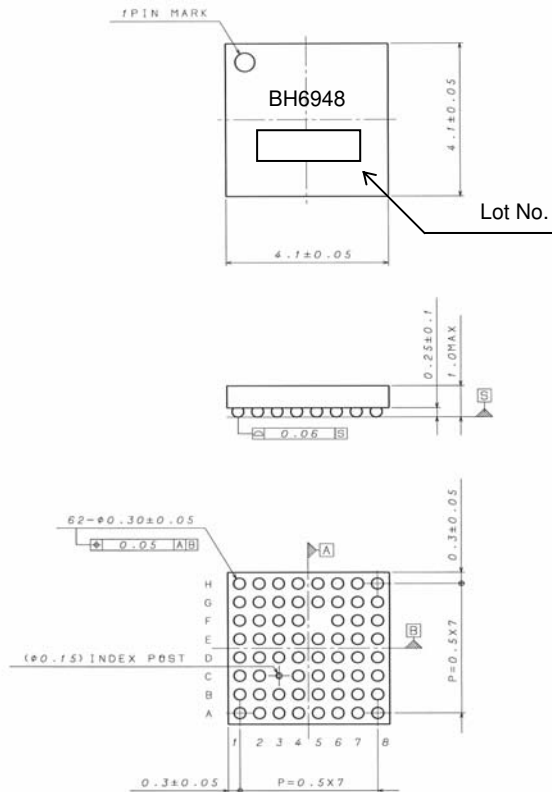
(Unless otherwise specified, Ta=25°C,VBAT1=VBATCP=VBATCP1-3=3.6V,DVDD1=1.8V,DVDD2=2.85V)

	Parameter	Symbol	Spec			Units	Condition
			MIN	TYP	MAX		
Circuit Current	Stand-by Circuit Current	I <sub>ST</sub>	-	0	8.8	uA	Stand-by mode (RSTB="H")
	DC-DC Converter Current1	I <sub>OCP1</sub>	-	0.93	1.4	mA	1times mode
	DC-DC Converter Current2	I <sub>OCP2</sub>	-	6.4	9.6	mA	1.5times mode (CPOUT=4.75V)
	DC-DC Converter Current3	I <sub>OCP3</sub>	-	4.8	7.2	mA	2times mode (CPOUT=4.75V)
DCDC Converter	CPOUT Voltage1	V <sub>CP1</sub>	4.55	4.75	4.95	V	1.5times mode No Load
	CPOUT Output Current1	I <sub>CP1</sub>	-	-	190	mA	1.5times mode, VCPOUT>4V 49 LED lighting
	CPOUT Voltage2	V <sub>CP2</sub>	4.55	4.75	4.95	V	2.0times mode No Load
	CPOUT Output Current2	I <sub>CP2</sub>	-	-	190	mA	2.0times mode, VCPOUT>4V 49 LED lighting
	CPOUT Voltage3	V <sub>CP3</sub>	5.1	5.3	5.5	V	1.5times mode No Load
	CPOUT Output Current3	I <sub>CP3</sub>	-	-	190	mA	1.5times mode, VCPOUT>4V 49 LED lighting
	CPOUT Voltage4	V <sub>CP4</sub>	5.1	5.3	5.5	V	2.0times mode No Load
	CPOUT Output Current4	I <sub>CP4</sub>	-	-	190	mA	2.0times mode, VCPOUT>4V 49 LED lighting
	Oscillator Frequency	f <sub>osc</sub>	0.96	1.20	1.44	MHz	
PMOS Switch	Leak Current when OFF (SW1~7 total)	I <sub>LEAKP</sub>	-	-	7.0	μ A	When 35H(MATRIXCNT)bit0(START)=0
Current Driver (Lo-Mode, LED1~7)	Output Current1	I <sub>O1</sub>	-8.5	-	+8.5	%	I=1mA Setting
	Output Current2, 3	I <sub>O2</sub>	-8.0	-	+8.0	%	I=2~3mA Setting
	Output Current4~31	I <sub>O4</sub>	-7.0	-	+7.0	%	I=4~31mA Setting
	Output Current matching1	Mat1	-	-	11.5	%	I=1~3mA Setting, Mat1=(I <sub>oMax</sub> -I <sub>oMin</sub> )/I <sub>oMin</sub> x100
	Output Current matching2	Mat2	-	-	10	%	I=4~31mA Setting Mat2=(I <sub>oMax</sub> -I <sub>oMin</sub> )/I <sub>oMin</sub> x100
	Leak Current when OFF (SW1~7 total)	I <sub>LEAK</sub>	-	-	7.0	uA	When 35H(MATRIXCNT)bit0(START)=0
Current Driver (RGB with PWM : LED1~7)	PWM on duty1	PWMD1	1.54	5.04	8.54	%	PWM1~7SET=5digit
	PWM on duty2	PWMD2	43.7	47.2	40.7	%	PWM1~7SET=32digit
	PWM on duty3	PWMD3	84.6	88.1	91.6	%	PWM1~7SET=58digit
Under Voltage Lockout	UVLO Threshold	V <sub>UVLO</sub>	2.0	2.25	2.6	V	VBAT falling
	UVLO Hysteresis	V <sub>UVLO</sub>	50	100	150	mV	
Soft-Start	SS Mode Time	T <sub>SS</sub>	1.6	2.0	2.4	ms	
Short Circuit Protector	SCP Threshold	V <sub>SCP</sub>	1.0	1.2	1.4	V	CPOUT falling
	Delay Time	T <sub>DLY</sub>	8	10	12	mS	
	Reset Time	T <sub>RST</sub>	80	100	120	mS	
Over Current Protector	OCP Threshold	I <sub>OCP</sub>	-	790	-	mA	
Over Voltage Protector	OVP Threshold	V <sub>ovp</sub>	5.50	5.62	5.74	V	
LED Dropout Detector	Detect Voltage	V <sub>DR</sub>	0.36	0.40	0.44	V	
SPI I/F	Input "H" Level	V <sub>IH</sub>	1.4	-	DVDD1+0.3	V	
	Input "L" Level	V <sub>IL</sub>	-0.3	-	0.4	V	
	"H" Level Input Current	I <sub>IH</sub>	-	0	1	uA	
	"L" Level Input Current	I <sub>IL</sub>	-	0	1	uA	
RSTB	Input "H" Level	V <sub>IH</sub>	1.4	-	DVDD1+0.3	V	
	Input "L" Level	V <sub>IL</sub>	-0.3	-	0.4	V	
	"H" Level Input Current	I <sub>IH</sub>	-	0	1	uA	
	"L" Level Input Current	I <sub>IL</sub>	-	0	1	uA	

● Block Diagram



● Package Outline



Drawing No: EX903-5021

(UNIT: mm)

REV. B

● Terminal List

FBGA62R1 BALL Name	FBGA62R1 BALL No.	FUNCTION
TEST1	A1	Test terminal 1 (※ Please be sure connect to GND)
CPOUTSW	A2	Power supply for SW1 ~7
SW3	A3	P-MOS SW3 output
SW1	A4	P-MOS SW1 output
SW7	A5	P-MOS SW7 output
LED1	A6	LED1 driver output
GNDLE2	A7	GND for LED1~3
TEST2	A8	Test terminal 2 (※ Please be sure connect to GND)
SW5	B1	P-MOS SW5 output
SW4	B2	P-MOS SW4 output
CPOUTSW1	B3	Power supply for SW1 ~7
SW2	B4	P-MOS SW2 output
LED7	B5	LED7 driver output
LED6	B6	LED6 driver output
LED2	B7	LED2 driver output
LED3	B8	LED3 driver output
GND A	C1	GND for VREF, IREF
SW6	C2	P-MOS SW6 output
IREF	C4	LED Constant Current Driver Current setting Terminal
TEST3	C5	Test terminal 3 (※ Please be sure connect to GND)
GNDLE3	C6	GND for LED4~7
LED5	C7	LED5 driver output
LED4	C8	LED4 driver output
VREF	D1	Stabilization Power Supply for IREF, VSATDET, OSC
VBAT1	D2	Power supply for BGR, VREF, SCP
VREF12	D3	Standard for OSC, VSATDET, IREF
RSTB	D4	Reset terminal
GND	D5	GND terminal
CLK	D6	4 line serial interface CLK
DI	D7	4 line serial interface DATAIN
DGND	D8	GND for internal logic
DVER	E1	Device version
VBATCP2	E2	Power supply for charge pump
GND	E3	GND terminal
GND	E4	GND terminal
CE	E5	4 line serial interface CE
DO	E6	4 line serial interface DATAOUT
DVDD1	E7	Power supply for interface
DVDD2	E8	Power supply for internal logic
VBATCP1	F1	Power Supply for Charge Pump Section
VBATCP3	F2	Power Supply for Charge Pump Section
TEST4	F3	TEST terminal 4 (※ Please be sure connect to GND)
TEST0	F4	Test output terminal (※ Please should be left open when used)
GND	F6	GND terminal
GND	F7	GND terminal
VBATCP	F8	Power Supply for Charge Pump section
CPIN1	G1	Power Supply for Charge Pump section Step-up Voltage Circuit
TEST5	G2	TEST terminal 5 (※ Please be sure to connect to VBAT)
CPOUT2	G3	Charge Pump section Constant Voltage Output
GND	G4	GND terminal
GND	G5	GND terminal
GND	G6	GND terminal
GND	G7	GND terminal
GND CP	G8	GND for Charge pump section
GND	H1	GND terminal
C2P	H2	Charge Pump section Flying Capacitor2 on Side of Plus
CPOUT1	H3	Charge Pump section Constant Voltage Output
C1P	H4	Charge Pump section Flying Capacitor1 on Side of Plus
C2M	H5	Charge Pump section Flying Capacitor2 on Side of Minus
CPIN2	H6	Power Supply for Charge Pump section Step-up Voltage Circuit
C1M	H7	Charge Pump section Flying Capacitor1 on Side of Minus
GND	H8	GND terminal

## ● Use-related Cautions

- (1) Absolute maximum ratings  
If applied voltage ( $V_{MAX}$ ), operating temperature range ( $T_{opr}$ ), or other absolute maximum ratings are exceeded, there is a risk of damage. Since it is not possible to identify short, open, or other damage modes, if special modes in which absolute maximum ratings are exceeded are assumed, consider applying fuses or other physical safety measures.
- (2) Power supply lines  
In the design of the board pattern, make power supply and GND line wiring low impedance.  
When doing so, although the digital power supply and analog power supply are the same potential, separate the digital power supply pattern and analog power supply pattern to deter digital noise from entering the analog power supply due to the common impedance of the wiring patterns. Similarly take pattern design into account for GND lines as well.  
When there is a small signal GND and a large current GND, it is recommended that you separate the large current GND pattern and small signal GND pattern and provide single point grounding at the reference point of the set so that voltage variation due to resistance components of the pattern wiring and large currents do not cause the small signal GND voltage to change. Take care that the GND wiring pattern of externally attached components also does not change.  
Furthermore, for all power supply pins of the LSI, in conjunction with inserting capacitors between power supply and GND pins, when using electrolytic capacitors, determine constants upon adequately confirming that capacitance loss occurring at low temperatures is not a problem for various characteristics of the capacitors used.
- (3) GND voltage  
Make the potential of a GND pin such that it will be the lowest potential even if operating below that. In addition, confirm that there are no pins for which the potential becomes less than a GND by actually including transition phenomena.
- (4) Shorts between pins and misinstallation  
When installing in the set board, pay adequate attention to orientation and placement discrepancies of the LSI. If it is installed erroneously, there is a risk of LSI damage. There also is a risk of damage if it is shorted by a foreign substance getting between pins or between a pin and a power supply or GND.
- (5) Operation in strong magnetic fields  
Be careful when using the LSI in a strong magnetic field, since it may malfunction.
- (6) Input pins  
Parasitic elements inevitably are formed on an LSI structure due to potential relationships. Because parasitic elements operate, they give rise to interference with circuit operation and may be the cause of malfunctions as well as damage. Accordingly, take care not to apply a lower voltage than GND to an input pin or use the LSI in other ways such that parasitic elements operate. Moreover, do not apply a voltage to an input pin when the power supply voltage is not being applied to the LSI. Furthermore, when the power supply voltage is being applied, make each input pin a voltage less than the power supply voltage as well as within the guaranteed values of electrical characteristics.
- (7) Externally attached capacitors  
When using ceramic capacitors for externally attached capacitors, determine constants upon taking into account a lowering of the rated capacitance due to DC bias and capacitance change due to factors such as temperature.
- (8) Thermal shutdown circuit (TSD)  
When the junction temperature becomes higher, the thermal shutdown circuit operates and turns the switch OFF. The thermal shutdown circuit, which is aimed at isolating the LSI from thermal runaway as much as possible, is not aimed at the protection or guarantee of the LSI. Therefore, do not continuously use the LSI with this circuit operating or use the LSI assuming its operation.
- (9) Thermal design  
Perform thermal design in which there are adequate margins by taking into account the permissible dissipation (Pd) in actual states of use.
- (10) Test terminal and unused terminal processing  
Please process a test terminal and unused terminal according to explanations of the function manual and the application note, etc. to be unquestionable while real used. Moreover, please inquire of the person in charge of our company about the terminal without the explanation especially.
- (11) Rush current  
For ICs with more than one power supply, it is possible that rush current may flow instantaneously due to the internal powering sequence and delays. Therefore, give special consideration to power coupling capacitance, power wiring, width of GND wiring, and routing of wiring.

## Notes

No copying or reproduction of this document, in part or in whole, is permitted without the consent of ROHM Co.,Ltd.

The content specified herein is subject to change for improvement without notice.

The content specified herein is for the purpose of introducing ROHM's products (hereinafter "Products"). If you wish to use any such Product, please be sure to refer to the specifications, which can be obtained from ROHM upon request.

Examples of application circuits, circuit constants and any other information contained herein illustrate the standard usage and operations of the Products. The peripheral conditions must be taken into account when designing circuits for mass production.

Great care was taken in ensuring the accuracy of the information specified in this document. However, should you incur any damage arising from any inaccuracy or misprint of such information, ROHM shall bear no responsibility for such damage.

The technical information specified herein is intended only to show the typical functions of and examples of application circuits for the Products. ROHM does not grant you, explicitly or implicitly, any license to use or exercise intellectual property or other rights held by ROHM and other parties. ROHM shall bear no responsibility whatsoever for any dispute arising from the use of such technical information.

The Products specified in this document are intended to be used with general-use electronic equipment or devices (such as audio visual equipment, office-automation equipment, communication devices, electronic appliances and amusement devices).

The Products specified in this document are not designed to be radiation tolerant.

While ROHM always makes efforts to enhance the quality and reliability of its Products, a Product may fail or malfunction for a variety of reasons.

Please be sure to implement in your equipment using the Products safety measures to guard against the possibility of physical injury, fire or any other damage caused in the event of the failure of any Product, such as derating, redundancy, fire control and fail-safe designs. ROHM shall bear no responsibility whatsoever for your use of any Product outside of the prescribed scope or not in accordance with the instruction manual.

The Products are not designed or manufactured to be used with any equipment, device or system which requires an extremely high level of reliability the failure or malfunction of which may result in a direct threat to human life or create a risk of human injury (such as a medical instrument, transportation equipment, aerospace machinery, nuclear-reactor controller, fuel-controller or other safety device). ROHM shall bear no responsibility in any way for use of any of the Products for the above special purposes. If a Product is intended to be used for any such special purpose, please contact a ROHM sales representative before purchasing.

If you intend to export or ship overseas any Product or technology specified herein that may be controlled under the Foreign Exchange and the Foreign Trade Law, you will be required to obtain a license or permit under the Law.



Thank you for your accessing to ROHM product informations.  
More detail product informations and catalogs are available, please contact us.

## ROHM Customer Support System

<http://www.rohm.com/contact/>