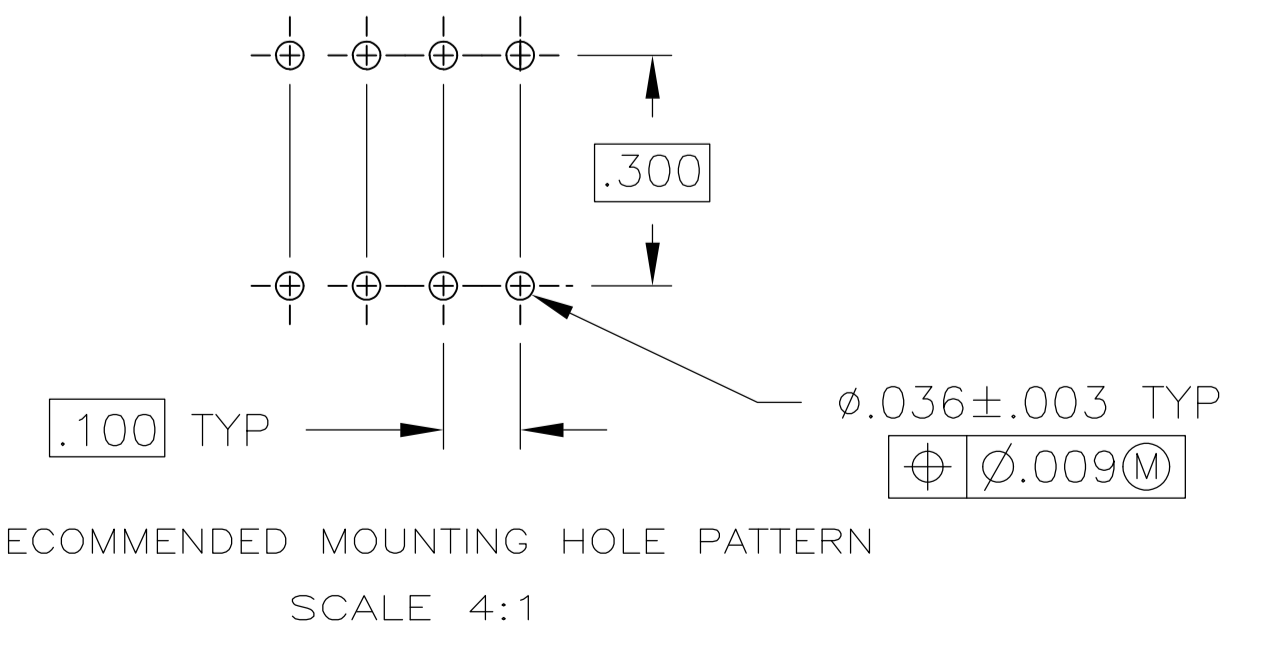
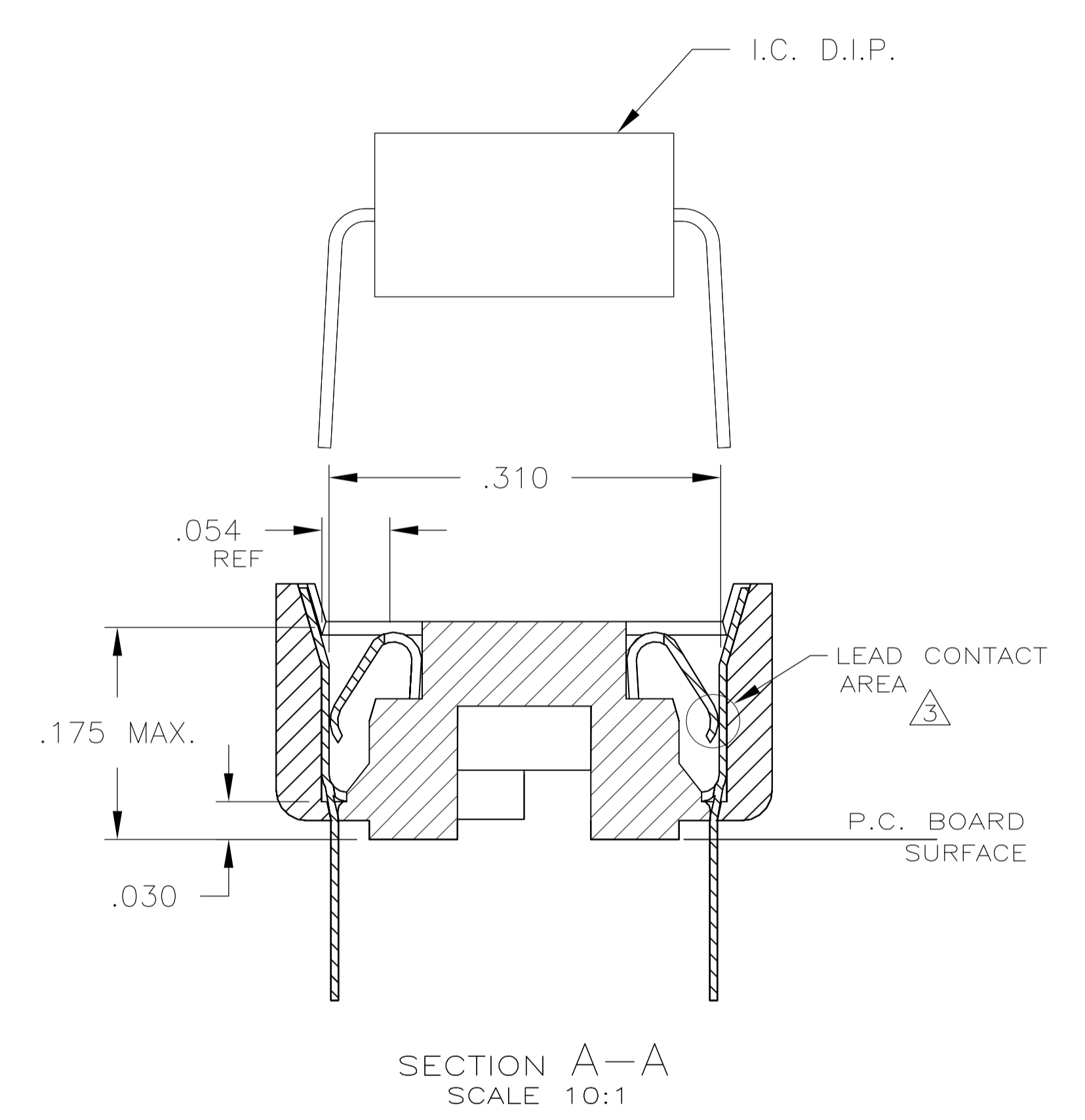
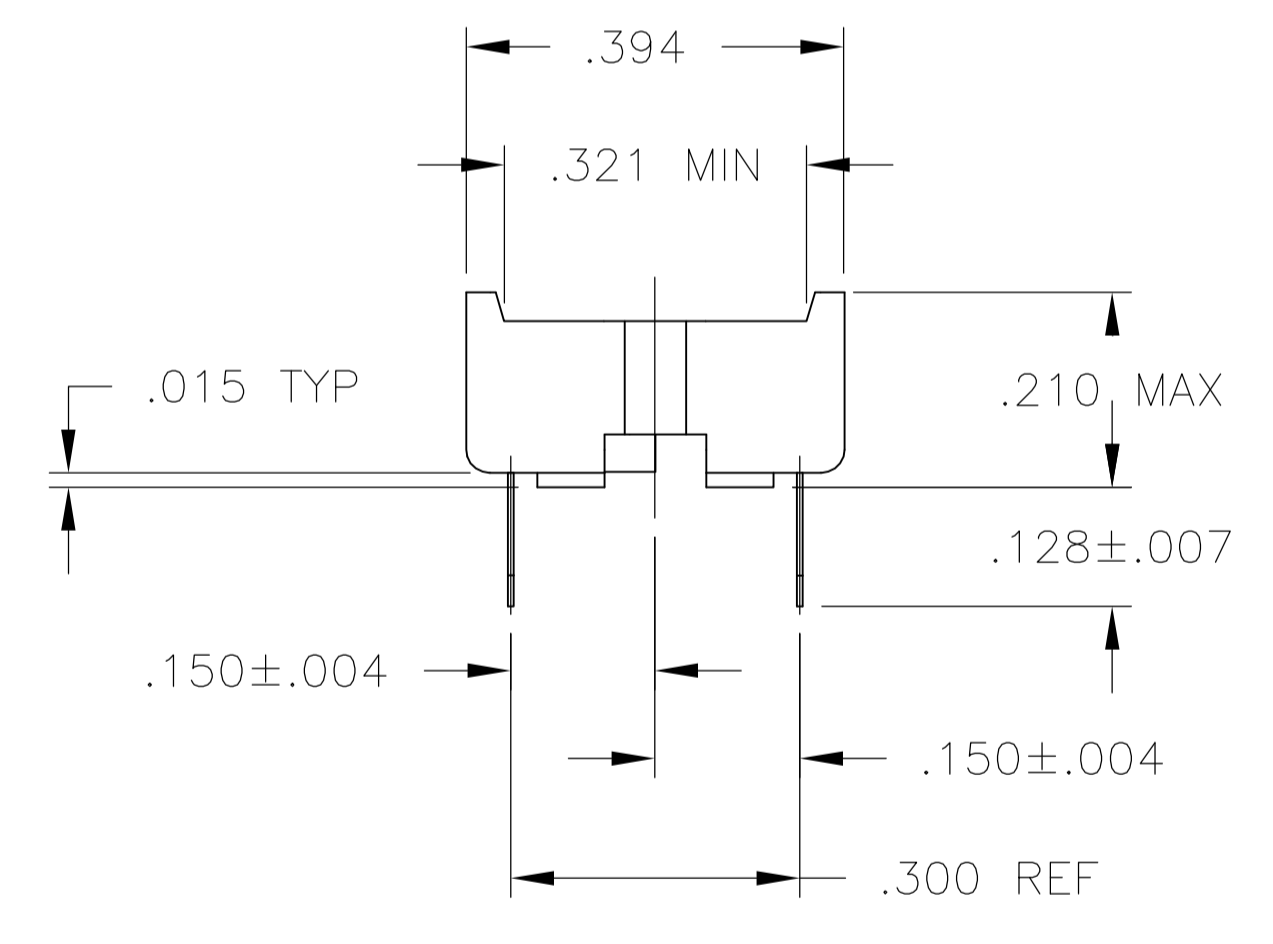
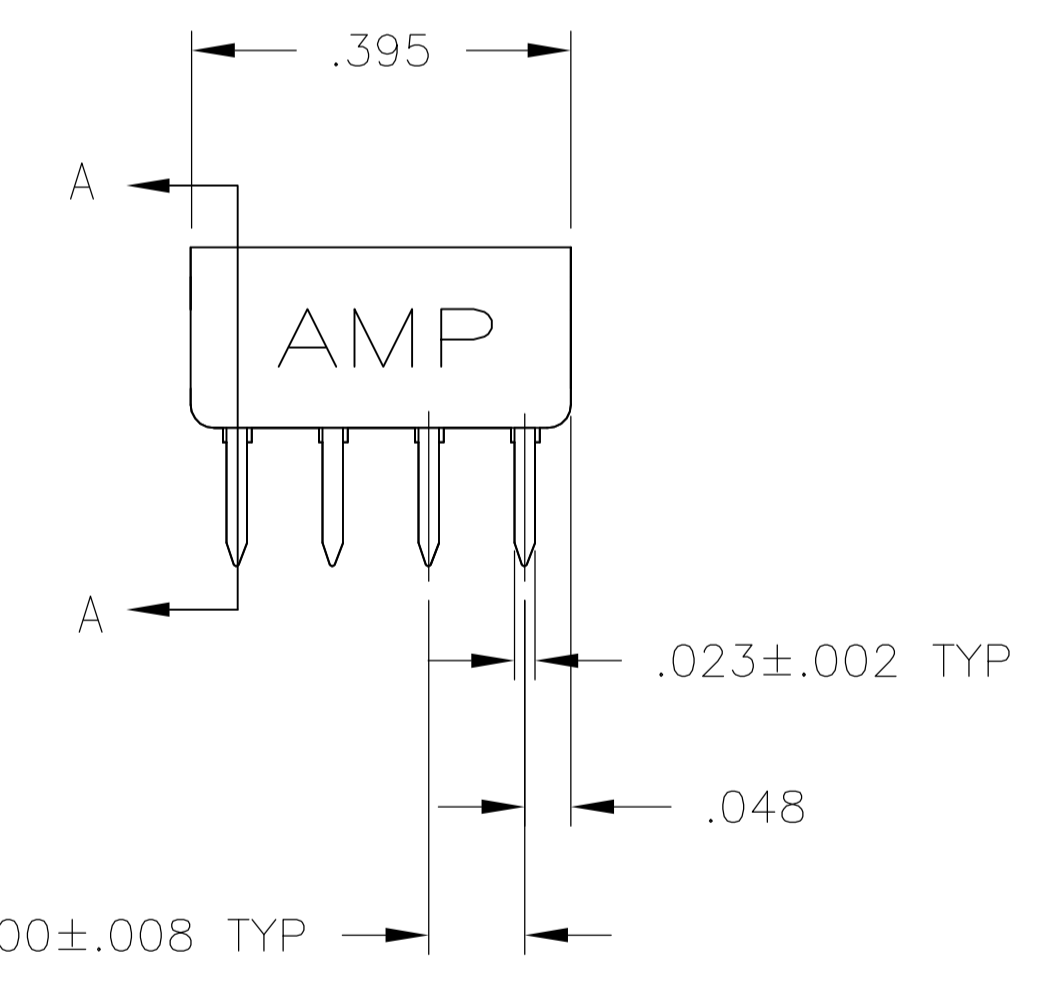
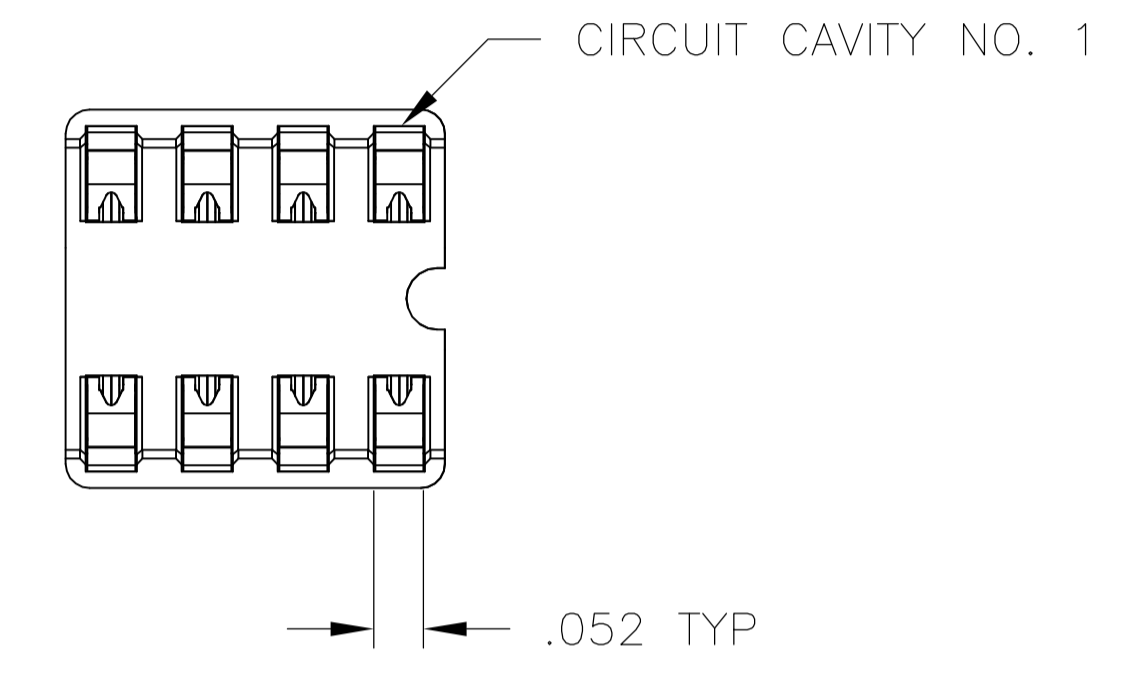


1. RECEPTACLE ACCEPTS A .008-.014 THICK I.C. LEAD.
2. TUBE LOADED.
3. TWO .000030 MIN THK. GOLD STRIPES IN CONTACT AREA WITH TIN-LEAD (93/7) ON CONTACT LEGS, BALANCE OF CONTACT NICKEL PLATED.



|          |   |                |                        |                  |
|----------|---|----------------|------------------------|------------------|
| OBSOLETE | 3 | PHOS. BRZ      | BROWN GLASS-FILLED PCT | 2-382462-4       |
|          |   | PHOS. BRZ      | BLACK THERMO PLASTIC   | 2-382462-3       |
|          |   | BE.CU.         | BLACK THERMO PLASTIC   | 2-382462-1       |
|          |   | CONTACT FINISH | CONTACT MAT'L          | HOUSING MATERIAL |
|          |   |                |                        | PART NO.         |

|  |                  |                        |           |  |               |
|--|------------------|------------------------|-----------|--|---------------|
| THIS DRAWING IS A CONTROLLED DOCUMENT. |                  | DIN R BROWN 04JAN01    |           | Tyco Electronics Corporation               |               |
| DIMENSIONS: INCHES                     |                  | CHK H WYNKOOP 17NOV00  |           | Harrisburg, PA 17105                       |               |
| TOLERANCES UNLESS OTHERWISE SPECIFIED: |                  | APVD H WYNKOOP 17NOV00 |           | NAME                                       |               |
| 0. PLC                                 | ± -              | PRODUCT SPEC           |           | SOCKET ASSY, DIP, HT, 8 POS, DIPLOMATE™ DL |               |
| 1. PLC                                 | ± -              | 108-1066               |           |  |               |
| 2. PLC                                 | ± -              | APPLICATION SPEC       |           |  |               |
| 3. PLC                                 | ± .005           | 114-1052               |           |  |               |
| 4. PLC                                 | ± -              |                        |           |  |               |
| ANGLES                                 | ± -              |                        |           |  |               |
| MATERIAL SEE TABLE                     | FINISH SEE TABLE | WEIGHT                 | A1 00779  | C=382462                                   | RESTRICTED TO |
|  |                  | CUSTOMER DRAWING       | SCALE 5:1 | SHEET 1 OF 1                               | REV K1        |