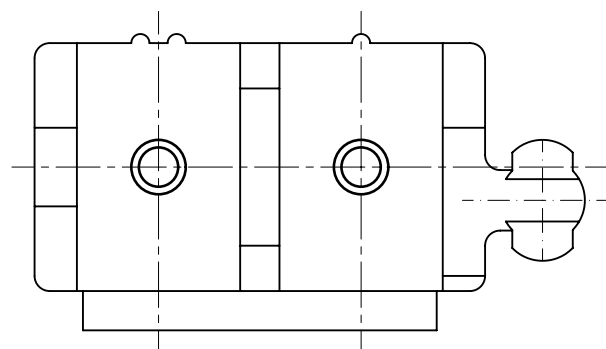
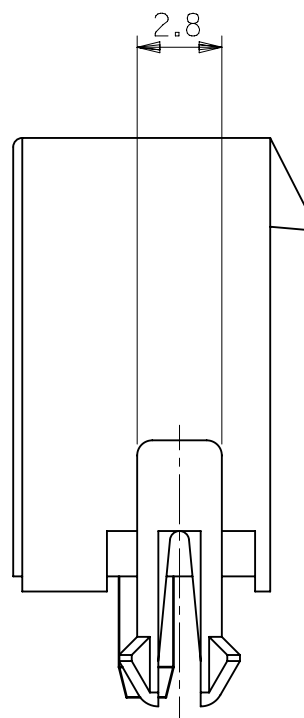
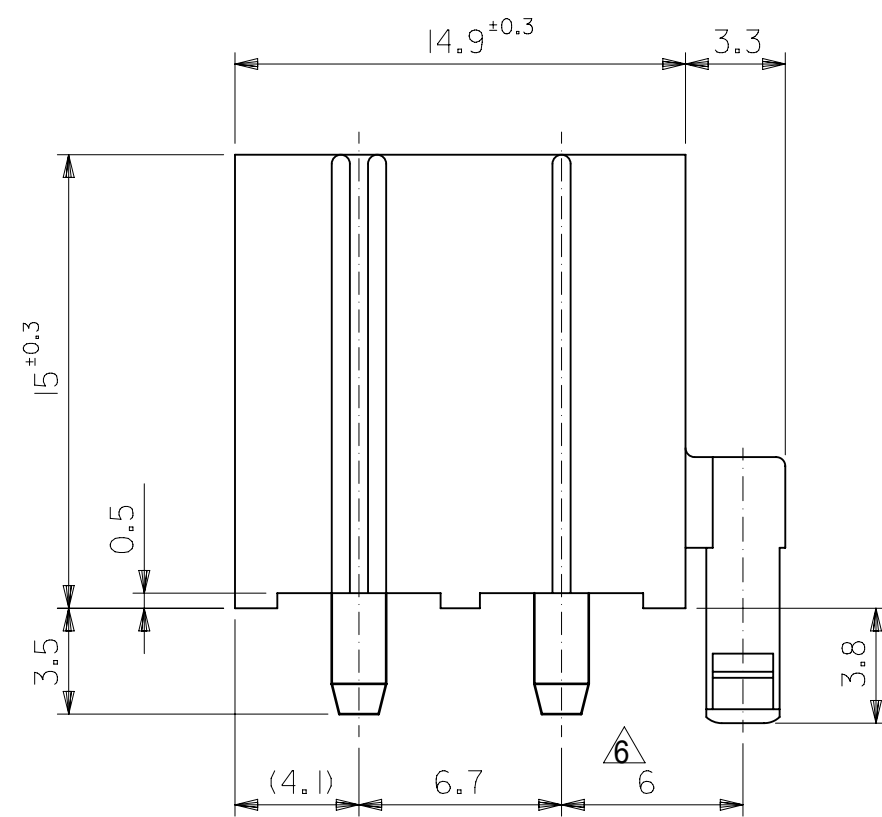
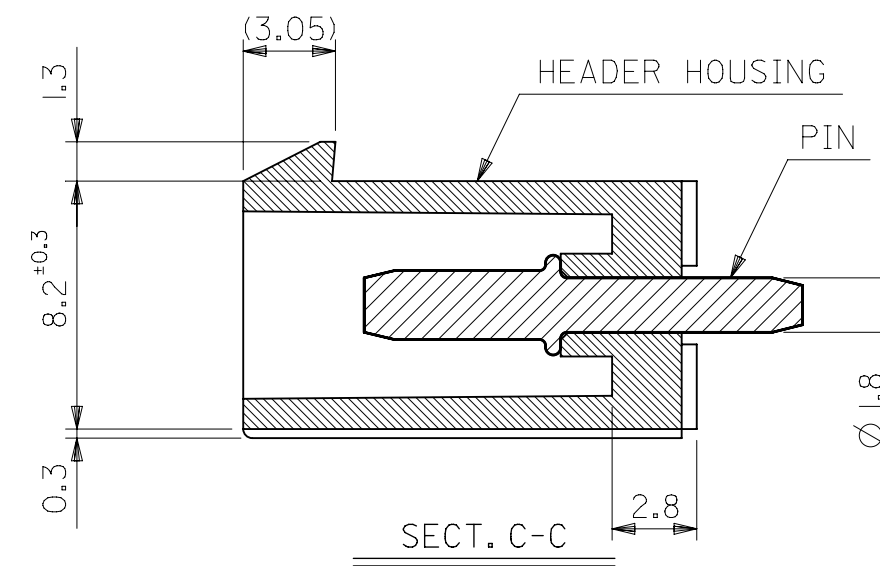


RECOMMENDED P.C.BOARD HOLE DIM.



NOTES:

1) MATERIAL:

HOUSING: "BLANK" = NYLON 6/6, UL94V-2, COLOR: NATURAL

"201" = NYLON 6/6, UL94V-0, COLOR: NATURAL

TERMINAL: C2700W BRASS

2) FINISH: 0.000003/(.0000001) MIN. TIN OVERALL OVER

0.000001/(.00000004) MIN. NICKEL OVERALL

3) PRODUCT SPECIFICATION: NONE

4) PACKAGING: PK-5219-002

5) MATES WITH: 3191-02R SERIES

⚠ DIFFERENCE OF DIMENSION IS INTENTIONAL TO PREVENT PART RISING FROM P.C.B.

7) PARTS CONFORM TO CLASS 'B' REQUIREMENTS OF COSMETIC

SPECIFICATION PS-45499-002.

ENG. NO.	ORDER NO.	PIN STYLE	HSG. MATERIAL	PIN PLATING
5219-02A	15-31-1026	SOLID	94V-2 NYLON	TIN
5219-02C	15-31-3026	HOLLOW	94V-2 NYLON	TIN
5219-02AG-201	39-33-9021	SOLID	94V-0 NYLON	GOLD

THIS DRAWING CONTAINS INFORMATION THAT IS PROPRIETARY TO MOLEX ELECTRONIC TECHNOLOGIES, LLC AND SHOULD NOT BE USED WITHOUT WRITTEN PERMISSION

DIMENSION UNITS		SCALE		CURRENT REV DESC: OBSOLETE PART NUMBERS											
mm		NTS													
GENERAL TOLERANCES (UNLESS SPECIFIED)						EC NO: 650267		NEW INTERNATIONAL CONN. HEADER AND ASSY							
		MM	INCH	DRWN: SKANDB		2020/10/19									
4 PLACES		±	±	CHK'D: GGA		2020/12/10		PRODUCT CUSTOMER DRAWING							
3 PLACES		±	±	APPR: GGA		2020/12/10									
2 PLACES		± 0.25	±	INITIAL REVISION:				DOCUMENT NUMBER							
1 PLACE		± 0.35	±	DRWN: H.HASEGAWA				1994/10/26		DOC TYPE		DOC PART	REVISION		
0 PLACES		±	±	APPR: M.FUKUSHIMA				1996/02/26		SD-5219-02AX-X		PSD	001	P	
ANGULAR TOL		± 1.0 °		THIRD ANGLE PROJECTION		DRAWING		SERIES		MATERIAL NUMBER		CUSTOMER		SHEET NUMBER	
DRAFT WHERE APPLICABLE MUST REMAIN WITHIN DIMENSIONS						C-SIZE		5219		SEE TABLE		GENERAL MARKET		1 OF 1	

DOCUMENT STATUS	P1	RELEASE DATE	2020/12/10	08:27:58
-----------------	----	--------------	------------	----------