

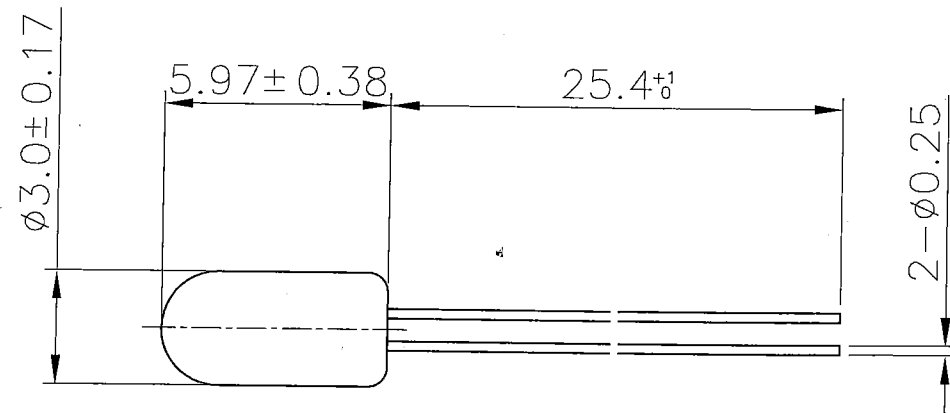
D.W.G.

805958


REV.

## REVISIONS

LET	DESCRIPTION	BY	DATE



Part Number	Design Volt (V)	Design Amp (A)	Light Output (MSCP)	Filament shape
OL-680	5.0	0.060 ±10%	0.03 ±25%	C-2R
OL-683	5.0	0.060 ±10%	0.05 ±25%	C-2R
OL-683AS15	5.0	0.060 ±10%	0.05 ±15%	C-2R
OL-713	5.0	0.075 ±10%	0.09 ±25%	C-2R
OL-715	5.0	0.115 ±10%	0.15 ±25%	C-2R
OL-715AS15	5.0	0.115 ±10%	0.15 ±15%	C-2R
OL-715F1	5.0	0.125 ±10%	0.22 ±25%	C-2R
OL-1089	12.0	0.060 ±10%	0.15 ±25%	C-2F
OL-1092	18.0	0.026 ±10%	0.15 ±25%	C-2F
OL-1111	14.0	0.065 ±10%	0.15 ±25%	C-2F
OL-3009	5.0	0.040 ±10%	0.025 ±25%	C-2R
OL-3010	3.0	0.060 ±10%	0.03 ±25%	C-2R
OL-3011	3.0	0.120 ±10%	0.15 ±25%	C-2R
OL-3023	12.0	0.030 ±10%	0.10 ±25%	C-2F
OL-3037	3.0	0.040 ±10%	0.03 ±25%	C-2R
OL-3041	6.0	0.060 ±10%	0.13 ±25%	C-2R
OL-3056	5.0	0.030 ±10%	0.03 ±25%	C-2R
OL-3070	5.0	0.060 ±10%	0.15 ±25%	C-2R
OL-3091	28.0	0.020 ±10%	0.05 ±25%	CC-2F
OL-3093	6.0	0.040 ±10%	0.04 ±25%	C-2R
OL-3228	14.0	0.040 ±10%	0.15 ±25%	C-2F
OL-3265	6.0	0.115 ±10%	0.15 ±25%	C-2R
OL-3461	6.0	0.070 ±10%	0.09 ±25%	CC-6
OL-6838	28.0	0.024 ±10%	0.15 ±25%	CC-2F

SCALE	UNIT	MATERIAL	TITLE	DATE	 <b>Oshino Lamps Limited</b> SHINAGAWA, TOKYO, JAPAN
5/1	m.m		T-1 WT LAMP	120327	
DRAWN	CHECKED	APPROVED	D. W.G. NO.	REV.	
T.I	T.Y	JAKA	805958		