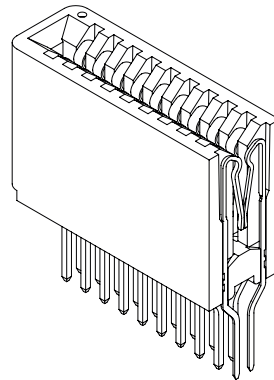




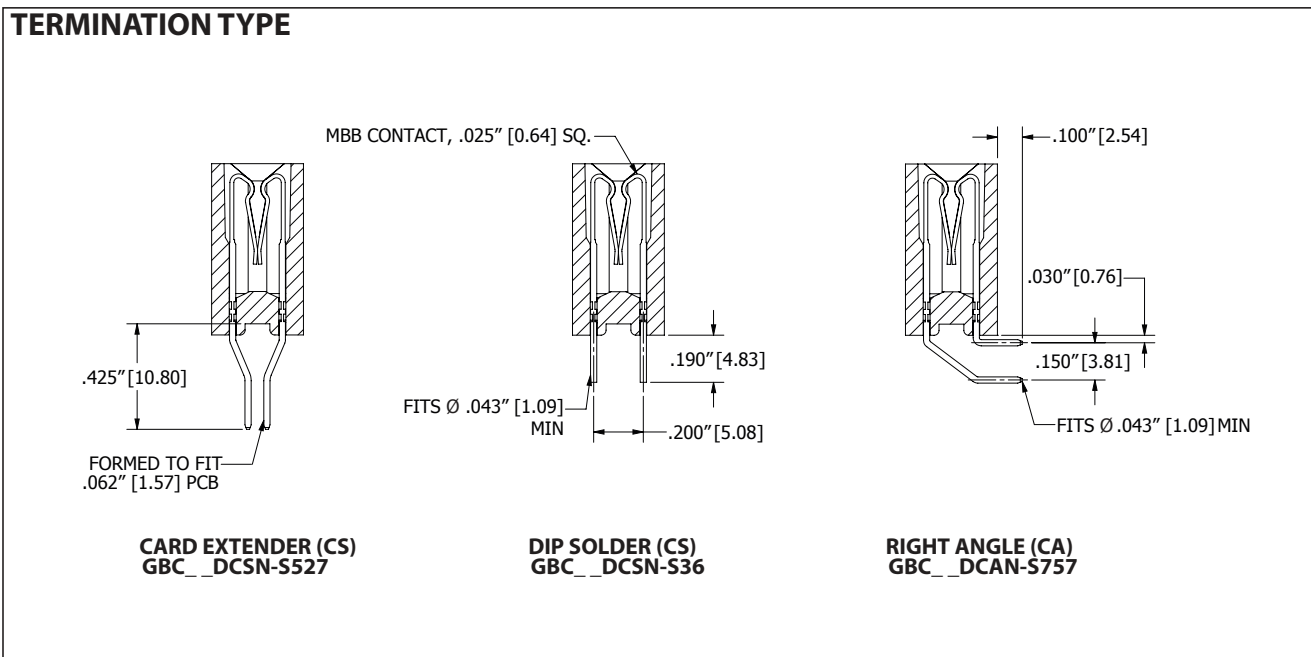
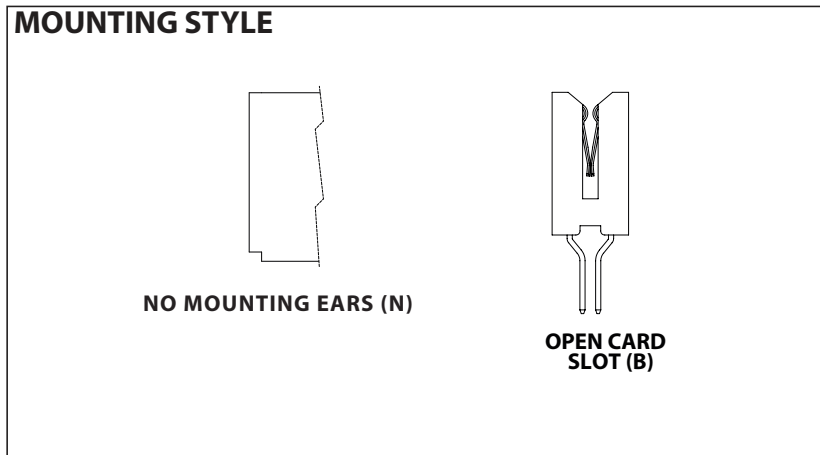
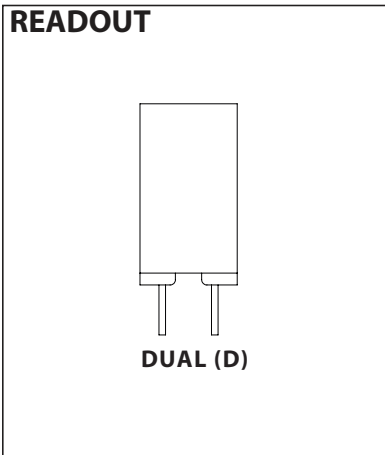
.100" [2.54 mm] Contact Centers, .690" [17.52 mm] Insulator Height, Make Before Break Dip Solder/Card Extender/Right Angle

SPECIFICATIONS

- Accommodates .062" ± .008" [1.57 mm ± 0.20 mm] PC board
- PA9T insulator
- Molded-in key available
- 3 Amps current rating for one contact energized
- 30 milli Ohms maximum at rated current
- UL Flammability Rating: 94V-0



Female Card Edge





.100" [2.54 mm] Contact Centers, .690" [17.52 mm] Insulator Height, Make Before Break Dip Solder/Card Extender/Right Angle

PART NUMBER OPTIONS

MATERIALS (INSULATOR/CONTACT)

G = PA9T/Phosphor Bronze
 (Consult factory for other materials.)
 Refer to Page 7 for Operating/Processing Temperatures

CONTACT FINISH - RoHS Compliant

All platings are Lead Free and have .000050" Nickel underplate

Contact Surface	Termination
B = .000010" Gold	.000100" Pure Tin, Matte
C = .000030" Gold	.000100" Pure Tin, Matte

CONTACT CENTERS

C = .100" [2.54 mm]

NUMBER OF CONTACT POSITIONS

See Chart Below

G B C 10 D CS N - S36

MODIFICATION CODE (Consult Factory)

-S757 = MBB, .150" [3.81] Row to Row on Right Angle
 -S527 = MBB, Card Extender Accepts .062" [1.57 mm] PCB
 -S36 = MBB, Straight Dip-Solder

MOUNTING STYLE

N = No Mounting
 B = Open Card Slot Available for 50 position only

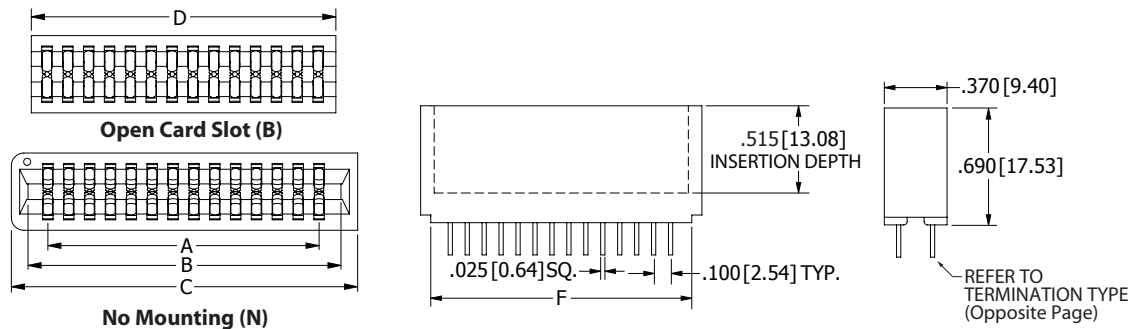
TERMINATION TYPE (Opposite Page)

Hairpin Bellows
 CS = .025" [0.64 mm] Square Dip Solder/Card Extender
 CA = .025" [0.64 mm] Square Right Angle

READOUT (Opposite Page)

D = Dual

DIMENSIONS Dimensions in [] are in millimeters, all others are in inches.



POSITIONS/ CONTACTS	A±.008 [0.20]		B±.008 [0.20]		C±.015 [0.38]		D±.020 [0.51]		F±.020 [0.51]	
	in	mm	in	mm	in	mm	in	mm	in	mm
02/04*	0.100	2.54	0.300	7.62	0.460	11.68	0.250	6.35	0.340	8.64
04/08*	0.300	7.62	0.500	12.70	0.660	16.76	0.450	11.43	0.540	13.72
06/12*	0.500	12.70	0.700	17.78	0.860	21.84	0.650	16.51	0.740	18.80
08/16*	0.700	17.78	0.900	22.86	1.060	26.92	0.850	21.59	0.940	23.88
10/20*	0.900	22.86	1.100	27.94	1.260	32.00	1.050	26.67	1.140	28.96
12/24*	1.100	27.94	1.300	33.02	1.460	37.08	1.250	31.75	1.340	34.04
14/28	1.300	33.02	1.500	38.10	1.660	42.16	1.450	36.83	1.540	39.12
16/32*	1.500	38.10	1.700	43.18	1.860	47.24	1.650	41.91	1.740	44.20
18/36*	1.700	43.18	1.900	48.26	2.060	52.32	1.850	46.99	1.940	49.28
20/40*	1.900	48.26	2.100	53.34	2.260	57.40	2.050	52.07	2.140	54.36
22/44*	2.100	53.34	2.300	58.42	2.460	62.48	2.250	57.15	2.340	59.44
24/48*	2.300	58.42	2.500	63.50	2.660	67.56	2.450	62.23	2.540	64.52
26/52*	2.500	63.50	2.700	68.58	2.860	72.64	2.650	67.31	2.740	69.60
28/56*	2.700	68.58	2.900	73.66	3.060	77.72	2.850	72.39	2.940	74.68
30/60*	2.900	73.66	3.100	78.74	3.260	82.80	3.050	77.47	3.140	79.76
32/64*	3.100	78.74	3.300	83.82	3.460	87.88	3.250	82.55	3.340	84.84
34/68*	3.300	83.82	3.500	88.90	3.660	92.96	3.450	87.63	3.540	89.92
36/72*	3.500	88.90	3.700	93.98	3.860	98.04	3.650	92.71	3.740	95.00
38/76*	3.700	93.98	3.900	99.06	4.060	103.12	3.850	97.79	3.940	100.08
40/80*	3.900	99.06	4.100	104.14	4.260	108.20	4.050	102.87	4.140	105.16
42/84*	4.100	104.14	4.300	109.22	4.460	113.28	4.250	107.95	4.340	110.24
44/88*	4.300	109.22	4.500	114.30	4.660	118.36	4.450	113.03	4.540	115.32
46/92*	4.500	114.30	4.700	119.38	4.860	123.44	4.650	118.11	4.740	120.40
48/96*	4.700	119.38	4.900	124.46	5.060	128.52	4.850	123.19	4.940	125.48
50/100	4.900	124.46	5.100	129.54	5.260	133.60	5.050	128.27	5.140	130.56

* Consult factory for availability.