

THIS DRAWING IS UNPUBLISHED.

RELEASED FOR PUBLICATION

ALL RIGHTS RESERVED.

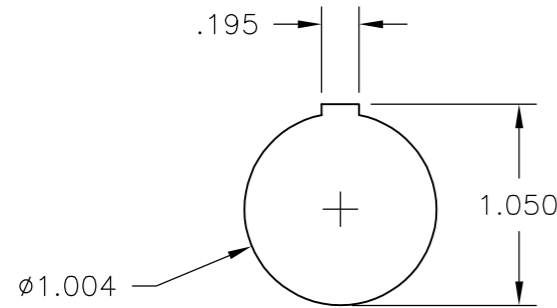
© COPYRIGHT - By -

REVISIONS

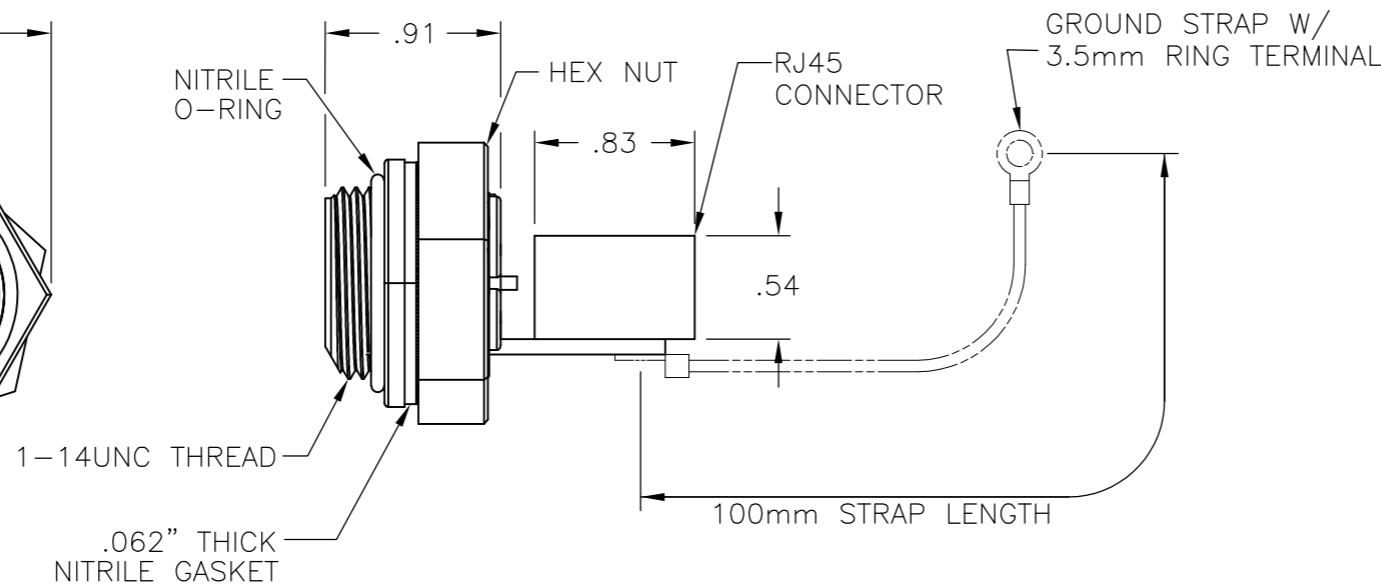
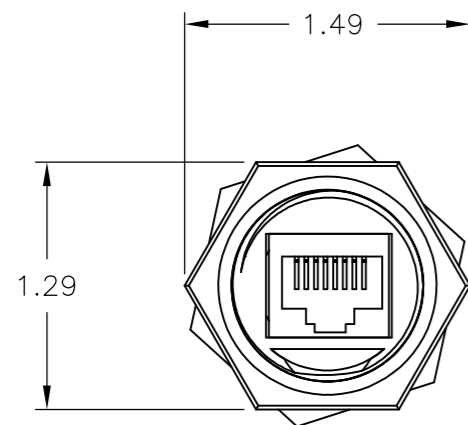
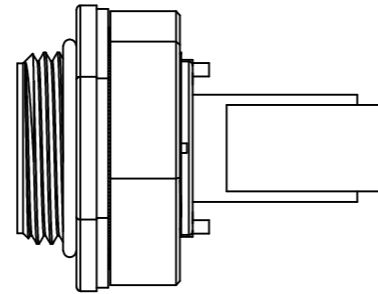
P	LTR	DESCRIPTION	DATE	DWN	APVD
	C3	CONTACT GOLD FINISH THICKNESS CORRECTED FROM 50µm TO 30µm AND OVERMOLD MATERIAL NOTE IS REMOVED.	26MAY2017	TJ	NG

NOTES:

- ENVIRONMENTAL SPECIFICATIONS:
OPERATING TEMPERATURE: -20°C TO 80°C
IEC IP67 COMPLIANT
- ELECTRICAL SPECIFICATIONS:
TIA/EIA RATING: CAT 5E
CURRENT RATING: 1.5A
VOLTAGE RATING: 125 V DC
RETURN LOSS: 5 dB AT 100 MHz
- PHYSICAL SPECIFICATIONS:
O-RING MATERIAL: VITON
INSERT MATERIAL: ABS
COUPLING NUT MATERIAL: ABS
SHELL MATERIAL: ABS
PANEL THICKNESS: .125" MAX WITH GASKET
.187" MAX WITHOUT GASKET
.062" MIN
CONTACT FINISH: 30µm OF GOLD OVER 100µm OF NICKEL
- SIZE OF SOLDER FILLET FROM THE SHIELD GROUND MAY VARY.



BACKEND DIMS. OF RECEPTACLE



OBSOLETE	YES	1546413-4
	NO	1546413-3
SUPERSEDED	YES	1546413-2
SUPERSEDED	NO	1546413-1
	GROUND STRAP	PART NO.

STANDARD RJ45 PIN LAYOUT	
1 TO 1	
2 TO 2	
3 TO 3	
4 TO 4	
5 TO 5	
6 TO 6	
7 TO 7	
8 TO 8	

THIS DRAWING IS A CONTROLLED DOCUMENT.

DIMENSIONS:	TOLERANCES UNLESS OTHERWISE SPECIFIED:
INCHES	
0 PLC	± -
1 PLC	± -
2 PLC	± .02
3 PLC	± .005
4 PLC	± -
ANGLES	± 2'

MATERIAL REFER NOTES FINISH REFER NOTES

DWN	S SCHLEGEL	09OCT2002
CHK	H WAKEEM	10/9/02
APVD	H WAKEEM	10/9/02
PRODUCT SPEC		
APPLICATION SPEC		
WEIGHT		



NAME				RJ-45 BULKHEAD PASS THROUGH WITH BACKSIDE JACK	
SIZE	CAGE CODE	DRAWING NO	RESTRICTED TO		
A3	00779	C-1546413	-		

CUSTOMER DRAWING SCALE NTS SHEET 1 OF 1 REV C3