

PART NO.	PLATING DESCRIPTION
2171760001	SEE NOTE 2(1) FOR CONTACT AREA

THIS DRAWING CONTAINS INFORMATION THAT IS PROPRIETARY TO MOLEX ELECTRONIC TECHNOLOGIES, LLC AND SHOULD NOT BE USED WITHOUT WRITTEN PERMISSION		CURRENT REV DESC:		molex	
DIMENSION UNITS	SCALE				
mm	1:1			TYPE C 6 PIN TOP MOUNT WATER PROOF	
GENERAL TOLERANCES (UNLESS SPECIFIED)				PRODUCT CUSTOMER DRAWING	
ANGULAR TOL	± 3.0°			DOCUMENT NUMBER	
4 PLACES	±	EC NO: 657457	2021/03/17	2171760001	
3 PLACES	± 0.1	DRWN: RZHANG	2021/04/06	DOC TYPE	DOC PART
2 PLACES	± 0.2	CHK'D: AYIN	2021/04/06	PSD	000
1 PLACE	± 0.3	APPR: AYIN		REVISION	
0 PLACES	±	INITIAL REVISION:		A1	
DRAFT WHERE APPLICABLE MUST REMAIN WITHIN DIMENSIONS		DRWN: RZHANG	2021/02/02	MATERIAL NUMBER	
		APPR: AYIN	2021/02/05	CUSTOMER	
		THIRD ANGLE PROJECTION	DRAWING	SHEET NUMBER	
			A3-SIZE	1 OF 2	
			SERIES		
			217176		

NOTES:

1.MATERIAL SPECIFICATION:

- 1.1.HOUSING:HIGH TEMPERATURE RESISTANT PLASTIC,UL94 V-0.
- 1.2.CONTACTS:COPPER ALLOY
- 1.3.MIDDLE CLIP: STAINLESS STEEL
- 1.4.SHELL: STAINLESS STEEL
- 1.5.WATERPROOF RING:Silicon

2.PLATING:

- 2.1 TERMINAL:OVERALL PLATING Ni BASE 50u' MIN.
FUNCTIONAL AREA Au PLATING G/F
SOLDER AREA MATTE TIN PLATING 50u'MIN

- 2.2. SHELL: SOLDERABLE NICKEL 50U' PLATING OVERALL.
- 2.3. COVER SHELL: PLATING NICKEL 50u' ON SOLDERING AREA.

- 2.4. MIDDLE CLIP: CLEANING

3.WATERPROOF LEVEL:IPX5

4. PRODUCT SPEC: 2171760001

5. PACKAGE SPEC:2171760001PDDPK1

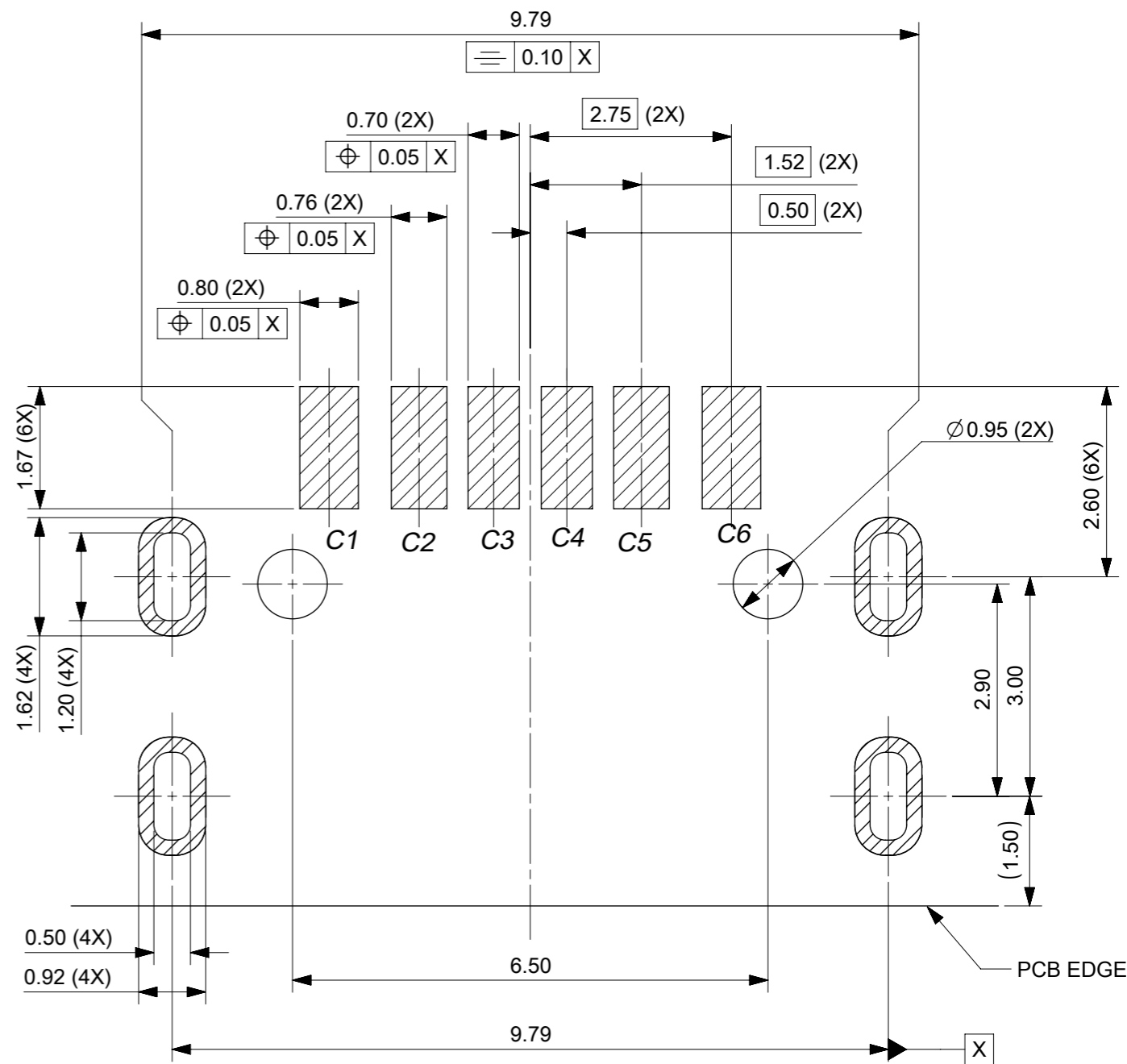
6. PRODUCT COMPLANT TO ROHS DIRECTIVE 2011/95/EU

7. PLEASE CONTACT YOUR SALES REPRESENTATIVE IF INTENDED FOR AUTOMOTIVE

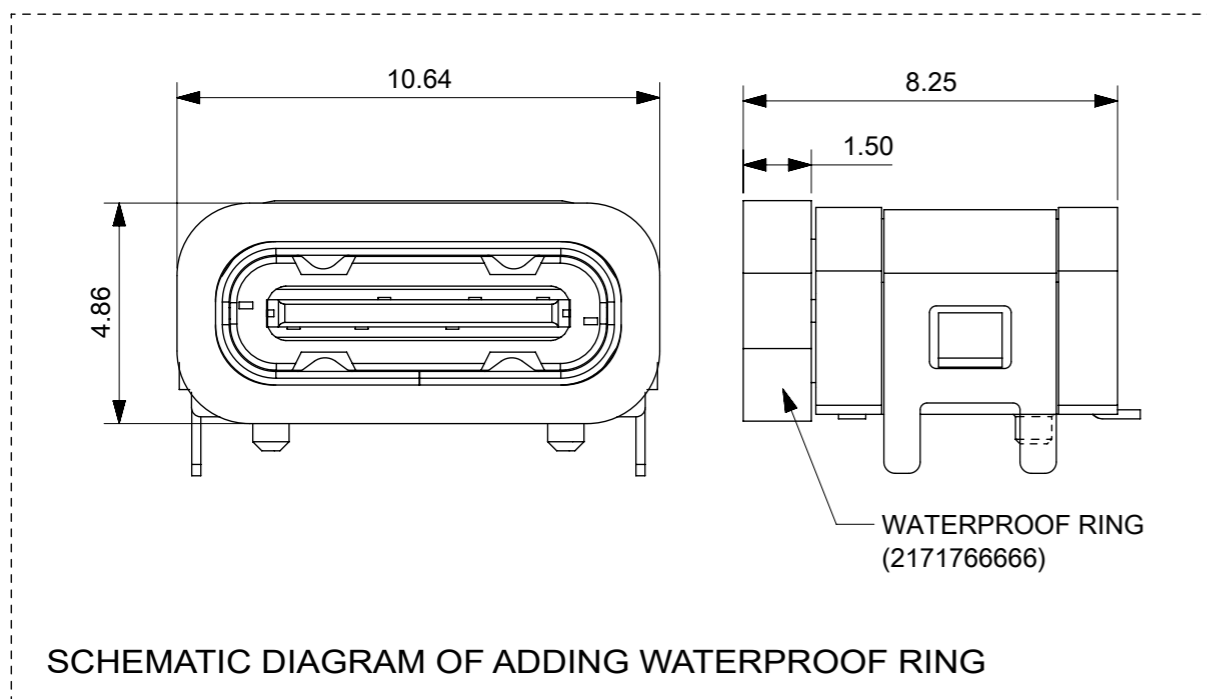
8. DATE CODE: YY WW D
YEAR WEEK DAY

PIN ASSIGNMENT:

PIN NO.	A1&B12	A4&B9	A5	A5	A9&B4	A12&B1
SIGNAL NAME	GND	VBUS	CC1	CC2	VBUS	GND
PCB PAD NO.	C1	C2	C3	C4	C5	C6



RECOMMENDED PCB LAYOUT(TOP VIEW)
THICKNESS 0.80MM;DEFAULT TOLERANCE:±0.05



THIS DRAWING CONTAINS INFORMATION THAT IS PROPRIETARY TO MOLEX ELECTRONIC TECHNOLOGIES, LLC AND SHOULD NOT BE USED WITHOUT WRITTEN PERMISSION									
DIMENSION UNITS		SCALE		CURRENT REV DESC:					
mm		1:1		<p style="text-align: center;">molex</p> <p style="text-align: center;">TYPE C 6 PIN TOP MOUNT WATER PROOF</p> <p style="text-align: center;">PRODUCT CUSTOMER DRAWING</p>					
GENERAL TOLERANCES (UNLESS SPECIFIED)									
ANGULAR TOL ± 3.0°									
4 PLACES ±		EC NO: 657457							
3 PLACES ±		DRWN: RZHANG 2021/03/17							
2 PLACES ±		CHK'D: AYIN 2021/04/06							
1 PLACE ±		APPR: AYIN 2021/04/06							
0 PLACES ±		INITIAL REVISION:		DOCUMENT NUMBER		DOC TYPE		DOC PART	
DRAFT WHERE APPLICABLE MUST REMAIN WITHIN DIMENSIONS		THIRD ANGLE PROJECTION		DRAWING		SERIES		MATERIAL NUMBER	
		A3-SIZE		217176		2171760001		PSD 000 A1	
				SEE CHART				SHEET NUMBER	
								2 OF 2	