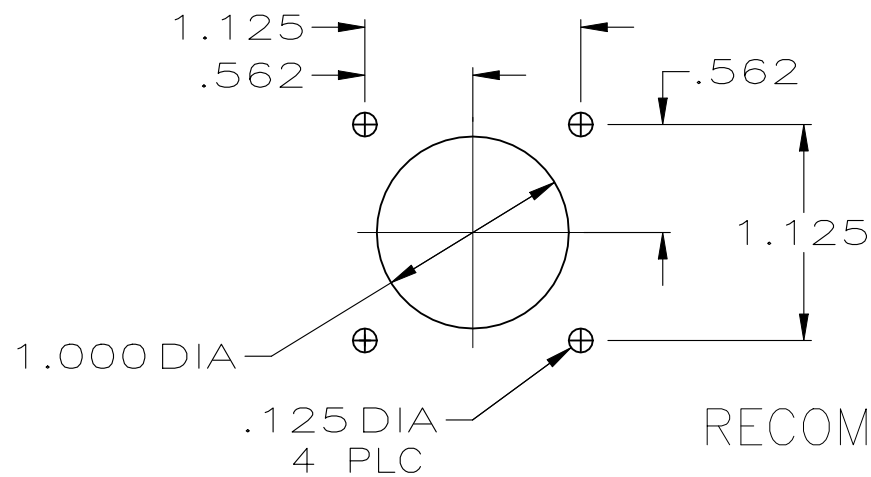
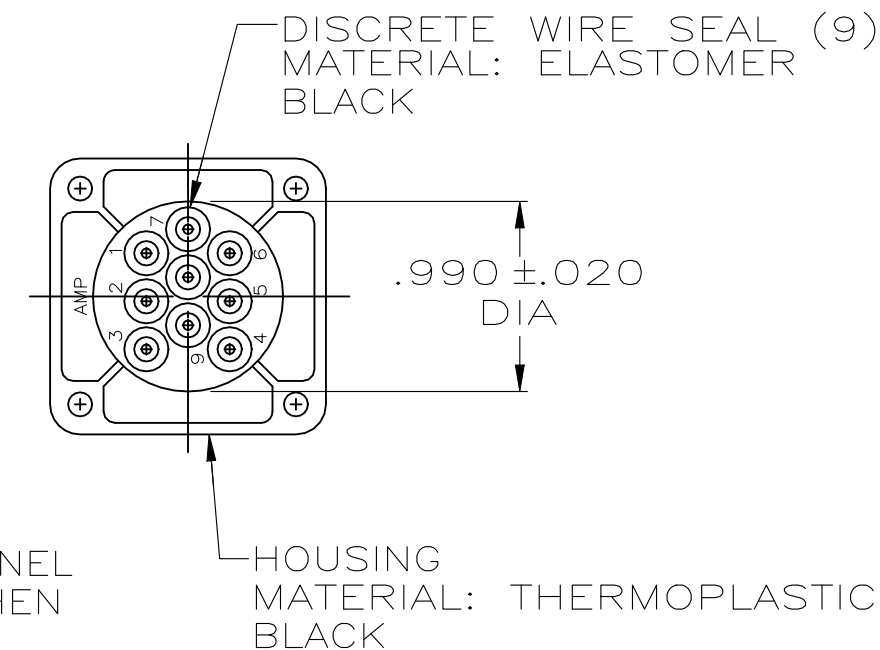
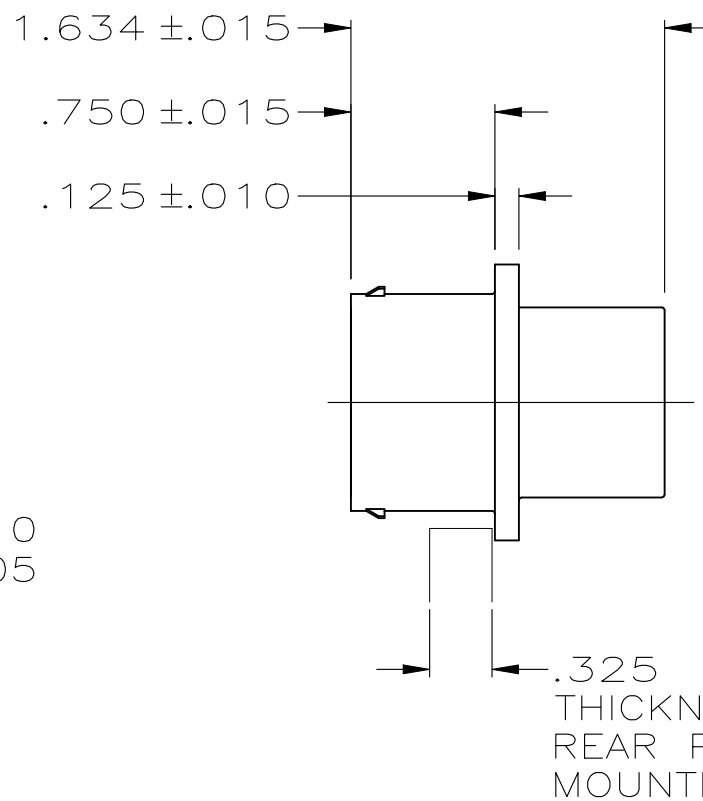
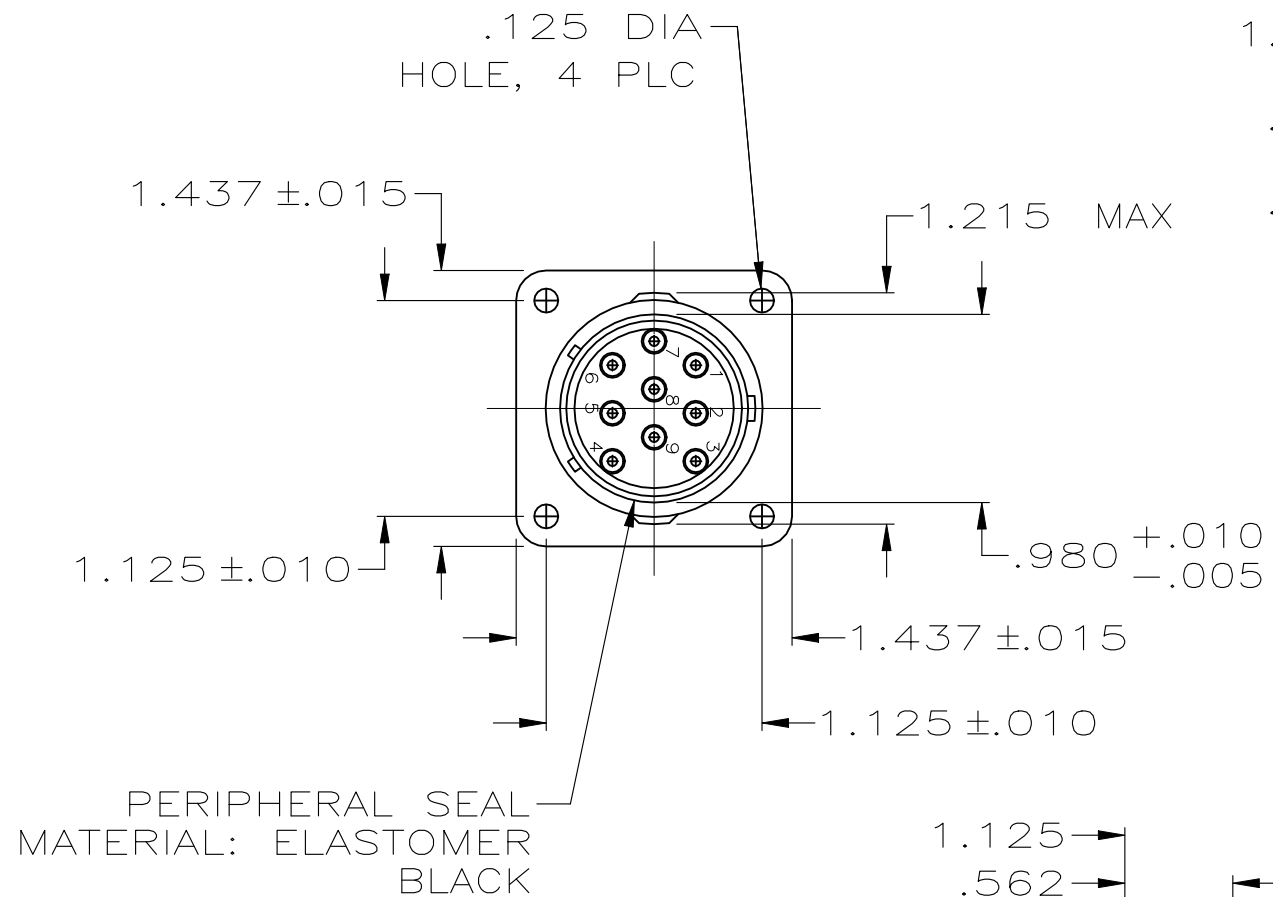


REVISIONS					
P	LTR	DESCRIPTION	DATE	DWN	APVD
	F	PER PCN E-20-018081	11MAR2021	SCK	



RECOMMENDED PANEL CUTOUT

208546-1
PART NUMBER

1. WIRE INSULATION SEALING RANGE .070-.115 DIA.
2. MATES WITH 208530-1.
3. TOTAL LENGTH OF MATED CONNECTORS IS LESS THAN 2.50 INCHES.
4. THIN MEMBRANE PERMISSIBLE ON SMALL DIAMETER OF WIRE SEALS.

THIS DRAWING IS A CONTROLLED DOCUMENT.		DWN J GALLUCCI BG 8-10-90	STE TE Connectivity		
		CHK J.McCLINTON 1-4-91			
DIMENSIONS: INCHES	TOLERANCES UNLESS OTHERWISE SPECIFIED:	APVD 1-18-91 K.BEAVER	NAME ECONOSEAL, SQUARE FLANGE RECEPTACLE, SHELL SIZE 17, 9 POSN, PIN CONTACTS		
	0 PLC ± - 1 PLC ± - 2 PLC ± - 3 PLC ± .005 4 PLC ± - ANGLES ± -	PRODUCT SPEC 1-29-91 J.FULPONI	SIZE	CAGE CODE	DRAWING NO
MATERIAL SEE CALLOUT	FINISH -	APPLICATION SPEC	WEIGHT 0.000000	A300779	C=208546
CUSTOMER DRAWING			SCALE 1:1	SHEET 1 OF 1	REV F