

1-2133341-2 ✓ ACTIVE

[Positive Lock](#) | [Positive Lock 250](#)

TE Internal #: 1-2133341-2

Crimp Terminal Housings, Receptacle, Receptacle, 1 Position,
Straight, UL 94V-0, Natural, Polyamide, Mating Alignment, Positive
Lock 250

[View on TE.com >](#)



Terminals & Splices > Terminal Housings, Insulation Sleeves & Blocks > Crimp Terminal Housings



Terminal Type: **Receptacle**

Connector & Housing Type: **Receptacle**

Number of Positions: **1**

Terminal Orientation: **Straight**

UL Flammability Rating: **UL 94V-0**

Features

Product Type Features

| | |
|--------------------------|------------|
| Sealable | No |
| Connector & Housing Type | Receptacle |

Configuration Features

| | |
|---------------------|---|
| Number of Positions | 1 |
|---------------------|---|

Body Features

| | |
|-----------------------|---------|
| Primary Product Color | Natural |
|-----------------------|---------|

Contact Features

| | |
|--------------------------|------------|
| Terminal Type | Receptacle |
| Terminal Orientation | Straight |
| Contact Mating Retention | Without |

Mechanical Attachment

| | |
|-------------------------|----------------------------|
| Mating Alignment | With |
| Connector Mounting Type | Cable Mount (Free-Hanging) |



Housing Features

| | |
|------------------|-----------|
| Housing Material | Polyamide |
|------------------|-----------|

Usage Conditions

| | |
|-----------------------------|----------------------------|
| Operating Temperature Range | -40 – 105 °C[-40 – 221 °F] |
|-----------------------------|----------------------------|

Industry Standards

| | |
|------------------------|----------|
| UL Flammability Rating | UL 94V-0 |
|------------------------|----------|

Packaging Features

| | |
|------------------|--------|
| Packaging Method | Carton |
|------------------|--------|

Product Compliance

[For compliance documentation, visit the product page on TE.com>](#)

| | |
|---|---|
| EU RoHS Directive 2011/65/EU | Compliant |
| EU ELV Directive 2000/53/EC | Compliant |
| China RoHS 2 Directive MIIT Order No 32, 2016 | No Restricted Materials Above Threshold |
| EU REACH Regulation (EC) No. 1907/2006 | Current ECHA Candidate List: JUNE 2023 (235) Candidate List Declared Against: JUNE 2023 (235) Does not contain REACH SVHC |
| Halogen Content | Not Low Halogen - contains Br or Cl > 900 ppm. |
| Solder Process Capability | Not applicable for solder process capability |

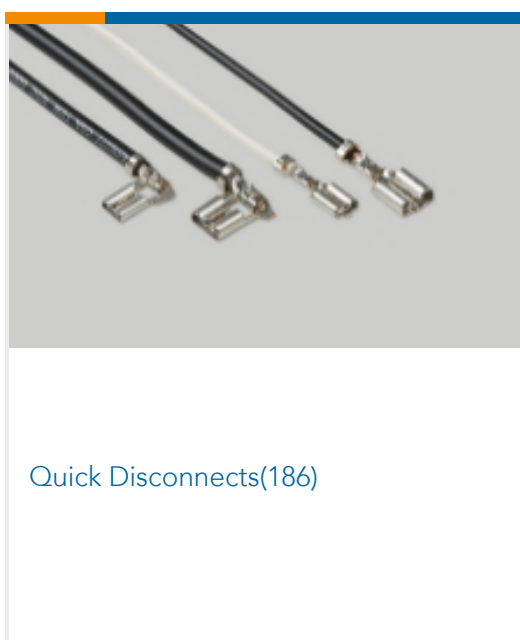
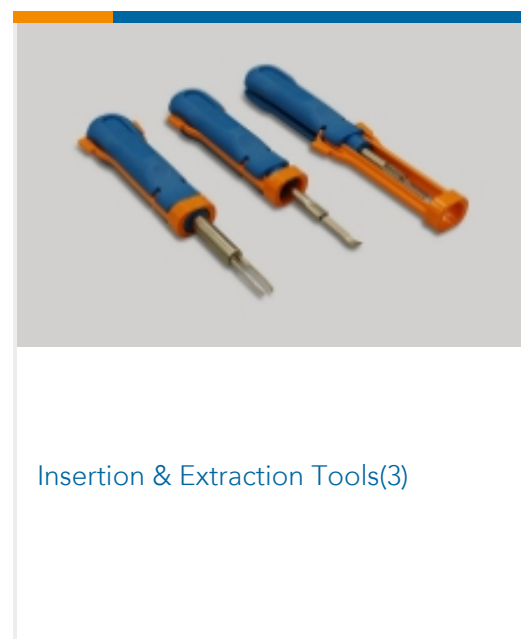
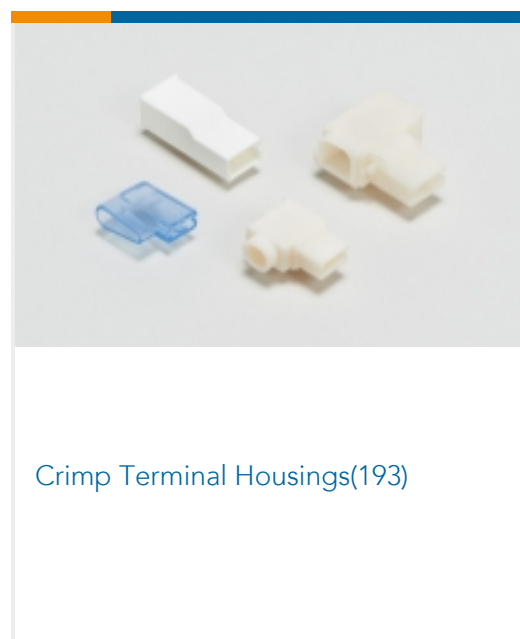
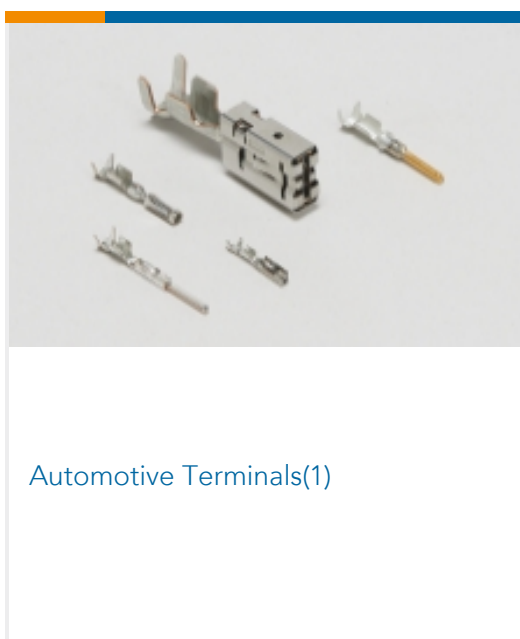
Product Compliance Disclaimer

This information is provided based on reasonable inquiry of our suppliers and represents our current actual knowledge based on the information they provided. This information is subject to change. The part numbers that TE has identified as EU RoHS compliant have a maximum concentration of 0.1% by weight in homogenous materials for lead, hexavalent chromium, mercury, PBB, PBDE, DBP, BBP, DEHP, DIBP, and 0.01% for cadmium, or qualify for an exemption to these limits as defined in the Annexes of Directive 2011/65/EU (RoHS2). Finished electrical and electronic equipment products will be CE marked as required by Directive 2011/65/EU. Components may not be CE marked. Additionally, the part numbers that TE has identified as EU ELV compliant have a maximum concentration of 0.1% by weight in homogenous materials for lead, hexavalent chromium, and mercury, and 0.01% for cadmium, or qualify for an exemption to these limits as defined in the Annexes of Directive 2000/53/EC (ELV). Regarding the REACH Regulation, the information TE provides on SVHC in articles for this part number is based on the latest European Chemicals Agency (ECHA) 'Guidance on requirements for substances in articles' posted at this URL: <https://echa.europa.eu/guidance-documents/guidance-on-reach>

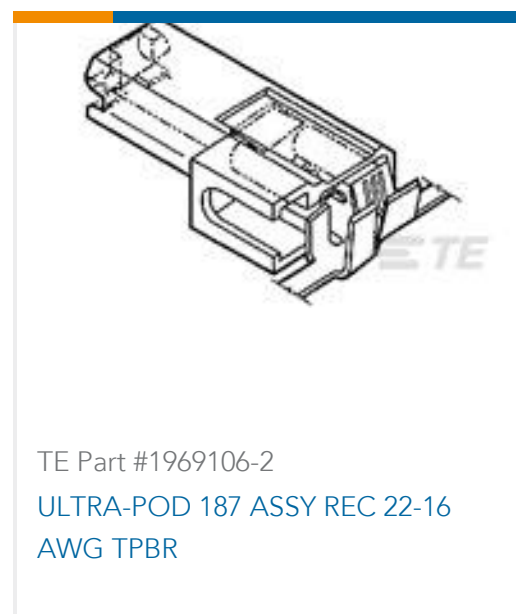
Compatible Parts



Also in the Series | **Positive Lock 250**



Customers Also Bought



Documents

Product Drawings

250 HSG. PL MKI REC. NAT

English

CAD Files

3D PDF

3D

Customer View Model

[ENG_CVM_CVM_1-2133341-2_B_c-1-2133341-2-b.2d_dxf.zip](#)

English

Customer View Model

[ENG_CVM_CVM_1-2133341-2_B_c-1-2133341-2-b.3d_igs.zip](#)

English

Customer View Model

[ENG_CVM_CVM_1-2133341-2_B_c-1-2133341-2-b.3d_stp.zip](#)

English

By downloading the CAD file I accept and agree to the [Terms and Conditions](#) of use.

Product Environmental Compliance

1-2133341-2

Crimp Terminal Housings, Receptacle, Receptacle, 1 Position, Straight, UL 94V-0,
Natural, Polyamide, Mating Alignment, Positive Lock 250



[MD_1-2133341-2_10272017433_dmtec](#)

English

[MD_1-2133341-2_10272017433_dmtec](#)

English