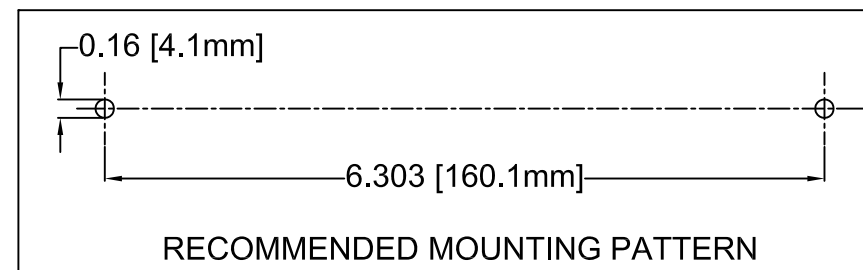
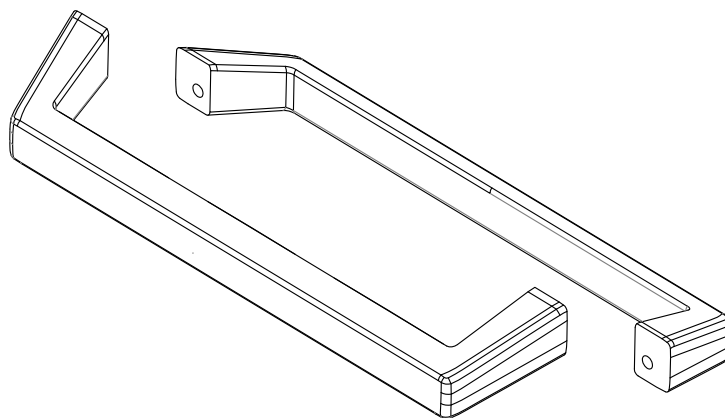
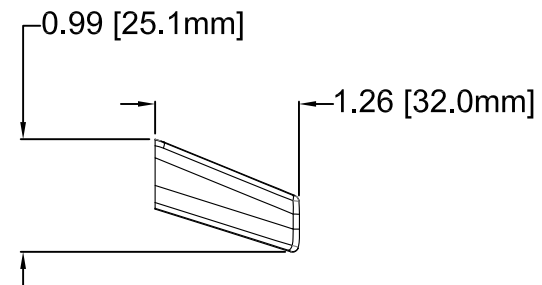
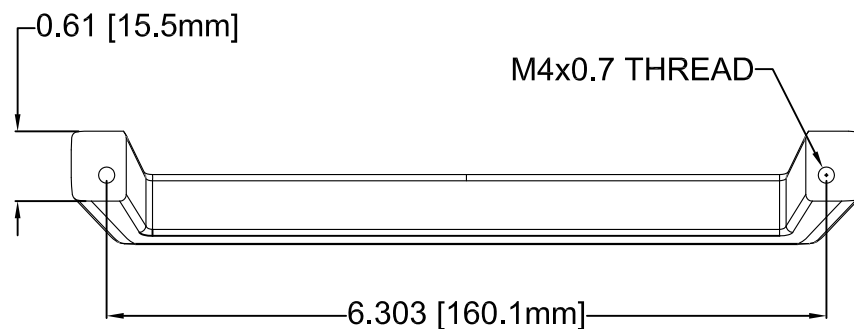
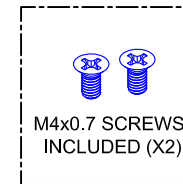
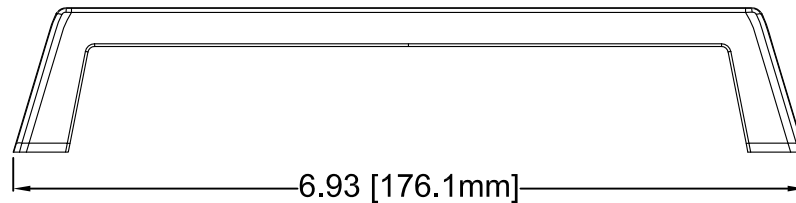


REV.	DESCRIPTION	DATE	APPROVED
A	Engineering Release.	07/17/14	J. C.



NOTES:
 2. MOUNTING HARDWARE SHIPPED UNASSEMBLED
 1. MATERIAL: ALUMINUM

STANDARD TOLERANCE (UNLESS OTHERWISE SPECIFIED)		BIVAR [®] 4 THOMAS, IRVINE, CA. 92618 TEL: (949) 951-8808 FAX: (949) 951-3974	
DECIMALS	ANGULAR		
.X ± .1	X° ± 1°		TITLE: 4U SUBRACK HANDLE, RECTANGULAR
.XX ± .02			PART NO: SRH-4RUT
.XXX ± .010			REVISION: A
DESIGNED: Alex Wright	DATE: 07/17/14	CAGE CODE : 32559	SHEET # 1 OF 1
CHECKED: Brian Oliver	DATE: 07/17/14	CAD GENERATED DOCUMENT, DO NOT MEASURE DRAWING.	