

DASH NO	MODEL NO
-1	CBJR157
-2	CBJR157FL
-3	CBJR3157

DISK #
H9

DATA CONTAINED IN THIS DOCUMENT IS PROPRIETARY TO TROMPETER ELECTRONICS INC. AND SHALL NOT BE DISCLOSED, COPIED OR USED FOR PROCUREMENT OR MANUFACTURE WITHOUT EXPRESS WRITTEN PERMISSION.

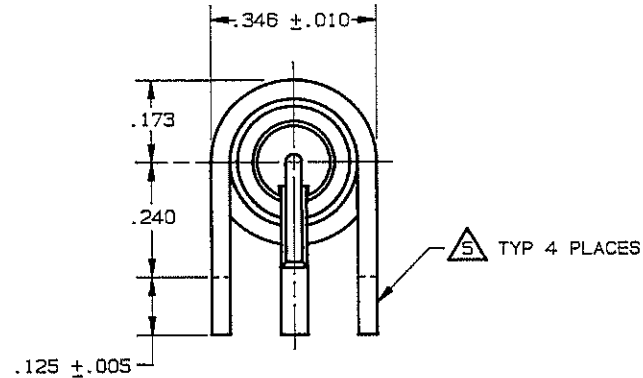
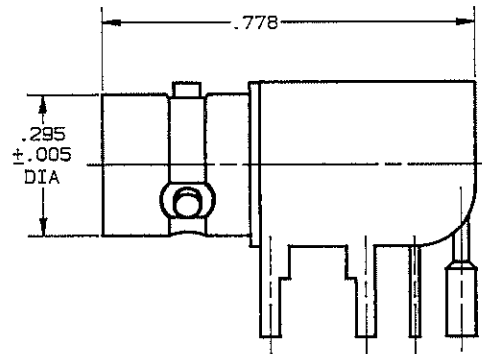
REVISIONS

3-0080

SH 1

REV	EO	DESCRIPTION	DWN	APPROVED	DATE
E	8534	ADDED NOTE /S/ AND REDWN	DKC	<i>[Signature]</i>	9-21-89

INCH	MM
.001	0.03
.0015	0.04
.003	0.08
.005	0.13
.010	0.25
.030	0.76
.060	1.52
.062	1.57
.070	1.78
.100	2.54
.125	3.18
.173	4.39
.200	5.08
.240	6.10
.295	7.49
.300	7.62
.346	8.79
.480	12.19
.778	19.76



-1 SHOWN

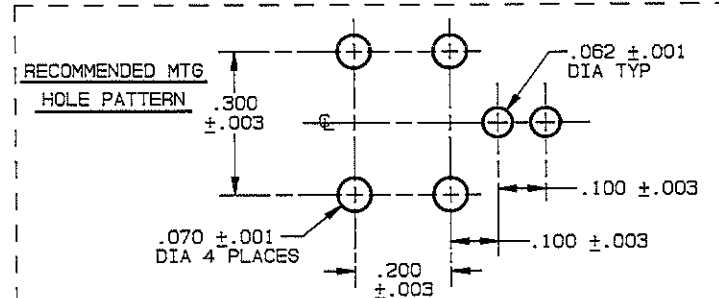
5 PRE-TINNED, .0015 MAXIMUM THICKNESS WITH SN63 OR EQUIV SOLDER, PER QQ-S-571, TO WITHIN .060 MAXIMUM OF SHOULDER, AFTER PLATING

4. VERTICAL CLEARANCE BETWEEN CIRCUIT BOARDS (INCLUDING MATING CONNECTOR) .480 MINIMUM

3. CONCENTRIC TWINAX/TRIAX, RIGHT ANGLE CIRCUIT BOARD MOUNT RECEPTACLE

2. FINISH: TFS-1A (NICKEL)

1. ALL DIM ARE IN INCHES



QTY	DESCRIPTION	PART NUMBER	ITEM
TOL UNLESS SPECIFIED	TROMPETER ELECTRONICS, INC.	CBJR157 / FL / CBJR3157	
.XX ±			
.XXX ± .030			
.XXXX ±			
ANGLES ±			
DWN DKC 7-7-89	MATERIAL	CODE IDENT	DRAWING NO.
CHK <i>[Signature]</i> 9/6/89		14949	3-0080
ENGR <i>[Signature]</i> 9/19/89			REV E
NEXT ASSY	APPR <i>[Signature]</i> 9-20-89	SCALE 4/1	DATE 10-21-82 SHEET 1 OF 2